

Model 2281S-20-6 Precision DC Supply And Battery Simulator Reference Manual

077114600 / August 2015



S J ELECTRONICS
POWER • TEST & MEASUREMENT

☎ 0800 583 4455
✉ sales@sjelectronics.co.uk

VISIT ⇨
WEBSITE



077114600

A Greater Measure of Confidence

KEITHLEY
A Tektronix Company

Model 2281S-20-6
Precision DC Supply And Battery Simulator
Reference Manual

© 2015, Keithley Instruments

Cleveland, Ohio, U.S.A.

All rights reserved.

Any unauthorized reproduction, photocopy, or use of the information herein, in whole or in part, without the prior written approval of Keithley Instruments is strictly prohibited.

All Keithley Instruments product names are trademarks or registered trademarks of Keithley Instruments. Other brand names are trademarks or registered trademarks of their respective holders.

Document number: 077114600 / August 2015

The following safety precautions should be observed before using this product and any associated instrumentation. Although some instruments and accessories would normally be used with nonhazardous voltages, there are situations where hazardous conditions may be present.

This product is intended for use by qualified personnel who recognize shock hazards and are familiar with the safety precautions required to avoid possible injury. Read and follow all installation, operation, and maintenance information carefully before using the product. Refer to the user documentation for complete product specifications.

If the product is used in a manner not specified, the protection provided by the product warranty may be impaired.

The types of product users are:

Responsible body is the individual or group responsible for the use and maintenance of equipment, for ensuring that the equipment is operated within its specifications and operating limits, and for ensuring that operators are adequately trained.

Operators use the product for its intended function. They must be trained in electrical safety procedures and proper use of the instrument. They must be protected from electric shock and contact with hazardous live circuits.

Maintenance personnel perform routine procedures on the product to keep it operating properly, for example, setting the line voltage or replacing consumable materials. Maintenance procedures are described in the user documentation. The procedures explicitly state if the operator may perform them. Otherwise, they should be performed only by service personnel.

Service personnel are trained to work on live circuits, perform safe installations, and repair products. Only properly trained service personnel may perform installation and service procedures.

Keithley Instruments products are designed for use with electrical signals that are measurement, control, and data I/O connections, with low transient overvoltages, and must not be directly connected to mains voltage or to voltage sources with high transient overvoltages. Measurement Category II (as referenced in IEC 60664) connections require protection for high transient overvoltages often associated with local AC mains connections. Certain Keithley measuring instruments may be connected to mains. These instruments will be marked as category II or higher.

Unless explicitly allowed in the specifications, operating manual, and instrument labels, do not connect any instrument to mains.

Exercise extreme caution when a shock hazard is present. Lethal voltage may be present on cable connector jacks or test fixtures. The American National Standards Institute (ANSI) states that a shock hazard exists when voltage levels greater than 30 V RMS, 42.4 V peak, or 60 VDC are present. A good safety practice is to expect that hazardous voltage is present in any unknown circuit before measuring.

Operators of this product must be protected from electric shock at all times. The responsible body must ensure that operators are prevented access and/or insulated from every connection point. In some cases, connections must be exposed to potential human contact. Product operators in these circumstances must be trained to protect themselves from the risk of electric shock. If the circuit is capable of operating at or above 1000 V, no conductive part of the circuit may be exposed.

Do not connect switching cards directly to unlimited power circuits. They are intended to be used with impedance-limited sources. NEVER connect switching cards directly to AC mains. When connecting sources to switching cards, install protective devices to limit fault current and voltage to the card.

Before operating an instrument, ensure that the line cord is connected to a properly-grounded power receptacle. Inspect the connecting cables, test leads, and jumpers for possible wear, cracks, or breaks before each use.

When installing equipment where access to the main power cord is restricted, such as rack mounting, a separate main input power disconnect device must be provided in close proximity to the equipment and within easy reach of the operator.

For maximum safety, do not touch the product, test cables, or any other instruments while power is applied to the circuit under test. ALWAYS remove power from the entire test system and discharge any capacitors before: connecting or disconnecting cables or jumpers, installing or removing switching cards, or making internal changes, such as installing or removing jumpers.

Do not touch any object that could provide a current path to the common side of the circuit under test or power line (earth) ground. Always make measurements with dry hands while standing on a dry, insulated surface capable of withstanding the voltage being measured.

For safety, instruments and accessories must be used in accordance with the operating instructions. If the instruments or


accessories are used in a manner not specified in the operating instructions, the protection provided by the equipment may be impaired.


Do not exceed the maximum signal levels of the instruments and accessories, as defined in the specifications and operating information, and as shown on the instrument or test fixture panels, or switching card.

When fuses are used in a product, replace with the same type and rating for continued protection against fire hazard.

Chassis connections must only be used as shield connections for measuring circuits, NOT as protective earth (safety ground) connections.

If you are using a test fixture, keep the lid closed while power is applied to the device under test. Safe operation requires the use of a lid interlock.


If a  screw is present, connect it to protective earth (safety ground) using the wire recommended in the user documentation.

The  symbol on an instrument means caution, risk of danger. The user must refer to the operating instructions located in the user documentation in all cases where the symbol is marked on the instrument.

The  symbol on an instrument means caution, risk of electric shock. Use standard safety precautions to avoid personal contact with these voltages.

The  symbol on an instrument shows that the surface may be hot. Avoid personal contact to prevent burns.

The  symbol indicates a connection terminal to the equipment frame.

If this  symbol is on a product, it indicates that mercury is present in the display lamp. Please note that the lamp must be properly disposed of according to federal, state, and local laws.

The **WARNING** heading in the user documentation explains dangers that might result in personal injury or death. Always read the associated information very carefully before performing the indicated procedure.

The **CAUTION** heading in the user documentation explains hazards that could damage the instrument. Such damage may invalidate the warranty.

Instrumentation and accessories shall not be connected to humans.

Before performing any maintenance, disconnect the line cord and all test cables.

To maintain protection from electric shock and fire, replacement components in mains circuits — including the power transformer, test leads, and input jacks — must be purchased from Keithley Instruments. Standard fuses with applicable national safety approvals may be used if the rating and type are the same. Other components that are not safety-related may be purchased from other suppliers as long as they are equivalent to the original component (note that selected parts should be purchased only through Keithley Instruments to maintain accuracy and functionality of the product). If you are unsure about the applicability of a replacement component, call a Keithley Instruments office for information.

To clean an instrument, use a damp cloth or mild, water-based cleaner. Clean the exterior of the instrument only. Do not apply cleaner directly to the instrument or allow liquids to enter or spill on the instrument. Products that consist of a circuit board with no case or chassis (e.g., a data acquisition board for installation into a computer) should never require cleaning if handled according to instructions. If the board becomes contaminated and operation is affected, the board should be returned to the factory for proper cleaning/servicing.

Safety precaution revision as of January 2013.

Table of Contents

Introduction	1-1
Welcome	1-1
Extended warranty	1-1
Contact information	1-1
CD-ROM contents	1-2
Organization of manual sections	1-3
Key features	1-4
Standard accessories	1-4
Optional accessories	1-6
Available services	1-6
General ratings	1-7
New terms in 2281S-20-6	1-7
General operation	2-1
Front panel overview	2-1
Rear-panel overview	2-3
Front-panel user interface	2-4
Startup screen	2-4
Home screens	2-5
Power supply menu overview	2-17
Battery test menu overview	2-27
Battery simulator menu overview	2-33
Adjusting the backlight brightness and timer	2-37
Installing the system	2-37
Handle and bumpers	2-37
Dimensions	2-42
Power the instrument on and off	2-46
Test connections	2-49
Front-panel connector	2-49
Rear-panel output mating connector	2-50
Two-wire local sense connection	2-50
Four-wire sense connection	2-51
Open leads detection	2-53
Reverse sense leads	2-54
Remote communication interfaces	2-55
Supported remote interfaces	2-55
GPIB communication	2-56
LAN communication	2-59
USB communications	2-73
How to install the Keithley I/O Layer	2-77
Set voltage and current limit	2-78
Constant voltage (CV) and constant current (CC) mode	2-79
Select a measurement function	2-80

Select a measurement function.....	2-81
Battery test.....	2-81
Battery simulator.....	2-81
Select a specific measurement range.....	2-82
Selecting a specific measurement range.....	2-82
Using Autoranging for Current Measurements.....	2-83
Protection.....	2-84
Overvoltage protection.....	2-84
Overcurrent protection.....	2-86
Overtemperature protection.....	2-86
Overprotection error.....	2-87
Maximum voltage limits.....	2-88
Saving setups.....	2-88
Save a user setup.....	2-89
Recall a user setup.....	2-90
Specify a default setup.....	2-90
Using the event log.....	2-91
Information provided for each event log entry.....	2-91
Save the event log to an external flash drive.....	2-91
Clear the event log.....	2-91
System information.....	2-92
Instrument sounds.....	2-92
Resets.....	2-93
Reset the instrument.....	2-93

Functions and features.....3-1

Instrument access.....	3-1
Changing the instrument access mode.....	3-2
Changing the password.....	3-2
Graph.....	3-2
Changing the window position and zoom.....	3-3
Adjusting the scale and offset of Y-Axis.....	3-6
Output delay, slew rate, and source delay.....	3-7
Output delay.....	3-8
Slew rate.....	3-8
Source delay.....	3-9
Data buffer.....	3-10
Effects of reset and power cycle on buffer.....	3-10
Buffer fill status.....	3-10
Setting reading buffer size and buffer mode.....	3-11
Viewing and saving buffer content.....	3-12
Configuring the statistics applied to data in the buffer.....	3-15
Clearing buffer.....	3-18
Automatically clearing buffer.....	3-19
Digital I/O.....	3-19
Digital I/O port.....	3-19
Configuring digital I/O lines.....	3-24
Trigger model.....	3-27
Idle and initiate.....	3-29
Arm layer.....	3-29
Trigger layer.....	3-29

Source, source delay and measure actions	3-29
Counter	3-30
Meter complete	3-30
Running the trigger model.....	3-30
Level trigger	3-32
Configuring a voltage level trigger.....	3-32
Configuring a current level trigger	3-34
List operation.....	3-36
Configuring a list	3-37
Importing a list from an external USB flash drive	3-39
Exporting a list to an external USB flash drive	3-40
Running a list	3-40
Aborting a list	3-49
Sink operation	3-50
Battery charging & discharging	3-51
Battery discharging test.....	3-52
Battery charging test.....	3-54
Generating and editing battery model	3-56
Generating a battery model.....	3-57
Editing a battery model	3-57
Battery simulation	3-58
Battery simulation settings	3-58
Simulating a battery	3-59
Reset default values	3-60
Math and statistics reset values	3-60
Calibration reset values.....	3-61
Digital I/O reset values	3-61
Display reset values	3-61
Format reset values	3-62
Output reset values	3-62
Measurement reset values	3-63
Source reset values	3-64
Status model reset values	3-65
Trigger reset values	3-65
Buffer reset values	3-66
Battery test source reset values	3-66
Battery test measure reset values.....	3-67
Battery simulation reset values	3-68

Measurement optimization4-1

Introduction	4-1
Optimizing either measurement accuracy or speed	4-1
Resolution	4-2
NPLC	4-4
Autozero measurements	4-5
Displayed digits	4-6
Filtering measurement data.....	4-7
Math calculations that you can apply to measurements.....	4-10
mx+b	4-10
Setting mx+b math operations	4-11
Relative offset.....	4-12
Establishing a relative offset value	4-12

Displayed measurements	4-14
Select the source of readings.....	4-15
ESR measurement	4-16
Introduction to the ESR measurement	4-16
Measuring ESR in the battery test function	4-18
A-H measurement	4-18
Introduction to the A-H measurement	4-19
Measuring A-H in the battery test function	4-20
Application examples	5-1
Simple voltage output and current measurement	5-1
Equipment required.....	5-1
Set up remote communications.....	5-1
Device connections	5-2
Set the voltage and current limit.....	5-2
Configure and execute a 10-step linear list sweep.....	5-3
Equipment required.....	5-3
Set up remote communications.....	5-4
Device connections	5-4
Configure a 10-step linear list sweep	5-4
Execute a 10-step linear list sweep.....	5-5
Perform a fast current load measurement	5-6
Equipment required.....	5-7
Set up remote communications.....	5-7
Device connections	5-8
Measure the fast current load changes	5-10
Battery test.....	5-12
Equipment required.....	5-12
Device connections	5-12
Test a battery and generate a battery model.....	5-13
Battery simulation test	5-15
Equipment required.....	5-15
Device connections	5-15
Simulate a battery with 2281S-20-6	5-16
Explanations of the test.....	5-17
Introduction to SCPI commands.....	6-1
Introduction to SCPI	6-1
Command messages	6-1
Command execution rules.....	6-2
SCPI command programming notes	6-2
SCPI command formatting	6-2
Using the SCPI command reference.....	6-4
SCPI command reference	7-1
Common commands.....	7-2
*CLS.....	7-2
*ESE	7-3
*ESR?	7-4
*IDN?	7-4

*OPC.....	7-5
*LANG?.....	7-5
*RCL.....	7-6
*RST.....	7-6
*SAV.....	7-7
*SRE.....	7-7
*STB?.....	7-8
*TRG.....	7-9
*TST?.....	7-9
*WAI.....	7-10
:ABORt[n].....	7-11
:CONFIgure[n]:<function>.....	7-11
:ENTRy[n]:FUNcTIon.....	7-12
:FETCh[n]?.....	7-13
:FORMat:ELEmEnts.....	7-13
:FORCe:TRIGger.....	7-15
:MEASure[n]:<function>?.....	7-16
:READ[n]?.....	7-17
ARM subsystem.....	7-17
:ARM[:SEQuence[n]]:COUnT.....	7-18
:ARM[:SEQuence[n]]:SOURce.....	7-18
BATTery subsystem.....	7-19
:BATTery[n]:SIMulatoR:SOc.....	7-19
:BATTery[n]:SIMulatoR:VOc.....	7-20
:BATTery[n]:SIMulatoR:VOc:FULL.....	7-21
:BATTery[n]:SIMulatoR:VOc:EMPTy.....	7-22
:BATTery[n]:SIMulatoR:VOc:PROTection[:LEVel].....	7-23
BATTery[n]:SIMulatoR:RESistance?.....	7-23
:BATTery[n]:SIMulatoR:RESistance:OFFSet.....	7-24
:BATTery[n]:SIMulatoR:CAPacity?.....	7-25
:BATTery[n]:SIMulatoR:CAPacity:LIMit.....	7-25
:BATTery[n]:SIMulatoR:CURRent?.....	7-26
:BATTery[n]:SIMulatoR:CURRent:LIMit.....	7-27
:BATTery[n]:SIMulatoR:CURRent:PROTection[:LEVel].....	7-28
:BATTery[n]:SIMulatoR:TVOLtage?.....	7-28
:BATTery[n]:SIMulatoR:HV.....	7-29
:BATTery[n]:SIMulatoR:LV.....	7-30
:BATTery[n]:SIMulatoR:SAMPle:INTerval.....	7-30
:BATTery[n]:SIMulatoR:METhod.....	7-31
:BATTery[n]:TEST:MEASure:EVOC?.....	7-32
:BATTery[n]:TEST[:SOURce]:VOLTagE[:LEVel].....	7-32
:BATTery[n]:TEST[:SOURce]:VOLTagE:LIMit.....	7-33
:BATTery[n]:TEST[:SOURce]:VOLTagE:PROTection[:LEVel].....	7-34
:BATTery[n]:TEST[:SOURce]:HV.....	7-35
:BATTery[n]:TEST[:SOURce]:LV.....	7-36
:BATTery[n]:TEST[:SOURce]:CURRent:LIMit:SOURce.....	7-36
:BATTery[n]:TEST[:SOURce]:CURRent:LIMit:SINK.....	7-37
:BATTery[n]:TEST[:SOURce]:CURRent:END.....	7-38
:BATTery[n]:TEST[:SOURce]:CURRent:PROTection[:LEVel].....	7-38
:BATTery[n]:TEST:SENSe:SAMPle:INTerval.....	7-39
:BATTery[n]:TEST:SENSe:ESR:DELAy.....	7-40
:BATTery[n]:TEST:SENSe:AH[:LEVel]?.....	7-40
:BATTery[n]:TEST:SENSe:AH:ESRInterval.....	7-41
:BATTery[n]:TEST:SENSe:AH:VFULI.....	7-41
:BATTery[n]:TEST:SENSe:AH:ILIMit.....	7-42
:BATTery[n]:TEST:SENSe:AH:GMOdel:RANGe.....	7-43
:BATTery[n]:TEST:SENSe:AH:GMOdel:SAVE:INTERnal.....	7-44
:BATTery[n]:TEST:SENSe:AH:GMOdel:SAVE:USB.....	7-45
:BATTery[n]:TEST:SENSe:AH:END.....	7-46
:BATTery[n]:TEST:SENSe:AH:EXECute.....	7-46

:BATTery[n]:MODEl<model_index>:<element>.....	7-47
:BATTery[n]:MODEl<model_index>:<element>:APPend	7-48
:BATTery[n]:MODEl<model_index>:<element>:STEPs?	7-49
:BATTery[n]:MODEl<model_index>:<element>:SIMPlify	7-50
:BATTery[n]:MODEl<model_index>:ROW<row_index>	7-51
:BATTery[n]:MODEl:RCL	7-51
:BATTery[n]:MODEl:SAVE:INTErnal	7-52
:BATTery[n]:MODEl:SAVE:USB	7-53
:BATTery[n]:MODEl:LOAD:USB	7-53
:BATTery:DIGital:LINE<line_index>:CONFIgure	7-54
:BATTery:DIGital:LINE<n>:EDGE	7-55
:BATTery:DIGital:LINE<n>:MANual:INPut:DATA?	7-56
:BATTery[n]:TRACe DATA:DATA?	7-57
:BATTery[n]:TRACe DATA:DATA:SEL?	7-59
:BATTery[n]:TRACe DATA:CLEAR	7-60
:BATTery[n]:TRACe DATA:SAVE	7-60
:BATTery[n]:TRACe:TRIGger:VOLTagE:STATe	7-61
:BATTery[n]:TRACe:TRIGger:VOLTagE[:LEVel]	7-61
:BATTery[n]:TRACe:TRIGger:VOLTagE:DIRection	7-62
:BATTery[n]:TRACe:TRIGger:CURREnt:STATe	7-62
:BATTery[n]:TRACe:TRIGger:CURREnt[:LEVel]	7-63
:BATTery[n]:TRACe:TRIGger:CURREnt:DIRection	7-63
:BATTery[n]:TRACe:TRIGger:OFFSet	7-64
:BATTery[n]:TRACe:TRIGger:OCCUR?	7-64
:BATTery[n]:OUTPut[:STATe]	7-65
:BATTery[n]:OUTPut:PROTectio:n:CLEAR	7-65
:BATTery[n]:OUTPut:PROTectio:n:TRIPped?	7-66
:BATTery[n]:STATus?	7-66
CALCulate subsystem	7-67
:CALCulate[1]:<function>:FORMAt	7-67
:CALCulate[1]:<function>:KMATH:MBFactor	7-68
:CALCulate[1]:<function>:KMATH:MMFactor	7-69
:CALCulate[1]:<function>:KMATH:MUNits	7-71
:CALCulate[1]:<function>:STATe	7-72
:CALCulate2:DATA?	7-73
:CALCulate2:FORMAt	7-74
:CALCulate2:FORMAt:ELEMents	7-76
:CALCulate2:FUNCTio:n	7-78
:CALCulate2:IMMediate	7-79
:CALCulate2:STATe	7-80
CALibration subsystem	7-81
:CALibration:PROTected:CANCel	7-81
:CALibration:PROTected:CODE	7-82
:CALibration:PROTected:COUNt?	7-82
:CALibration:PROTected:DATA?	7-83
:CALibration:PROTected:DATE	7-83
:CALibration:PROTected[:DC[n]]:STEP<step>	7-85
:CALibration:PROTected[:DC[n]]:STEP<step>:DATA	7-87
:CALibration:PROTected:SAVE	7-89
:CALibration:PROTected:STATe	7-90
Digital subsystem	7-90
:DIGital:LINE<n>:FUNCTio:n	7-91
:DIGital:LINE<n>:MANual:INPut:DATA?	7-91
DISPlay subsystem	7-92
:DISPlay:BRIGhtness	7-92
:DISPlay:CLEAR	7-93
:DISPlay:SCREEn	7-93
:DISPlay:USER:TEXT[:DATA]	7-94

- INITiate subsystem 7-94
 - :INITiate[n]:CONTinuous 7-95
 - :INITiate[n]:IMMediate] 7-95
- MMEMory subsystem 7-96
 - :MMEMory:LOAD:SETup 7-96
 - :MMEMory:SAVE:SETup 7-96
- OUTPut subsystem 7-97
 - :OUTPut:DELay:FALLing 7-97
 - :OUTPut:DELay:RISing 7-98
 - :OUTPut:DELay:STATe 7-99
 - :OUTPut:PROTection:CLear 7-99
 - :OUTPut:PROTection:TRIPped? 7-100
 - :OUTPut[:STATe] 7-101
- SENSe subsystem 7-101
 - :SENSe[n]:FUNCTion 7-101
 - :SENSe[n]:<function>:AVERage:COUNT 7-102
 - :SENSe[n]:<function>:AVERage[:STATe] 7-103
 - :SENSe[n]:<function>:AVERage:TCONtrol 7-104
 - :SENSe[n]:<function>:AVERage:WINDow 7-105
 - :SENSe[n]:<function>:DIGits 7-106
 - :SENSe[n]:<function>:NPLCycles 7-107
 - :SENSe[n]:<function>:RANGe 7-108
 - :SENSe[n]:<function>:RANGe:AUTO 7-109
 - :SENSe[n]:<function>:REFerence 7-110
 - :SENSe[n]:<function>:REFerence:ACQuire 7-111
 - :SENSe[n]:<function>:REFerence:STATe 7-112
 - :SENSe[n]:<function>:RESolution 7-113
- SOURce subsystem 7-113
 - [:SOURce[n]]:DELay 7-114
 - [:SOURce[n]]:DELay:STATe 7-114
 - [:SOURce[n]]:<function>:PROTection[:LEVel] 7-115
 - [:SOURce[n]]:<function>[:LEVel][:IMMediate][:AMPLitude] 7-116
 - [:SOURce[n]]:VOLTage:LIMit[:AMPLitude] 7-117
 - [:SOURce[n]]:VOLTage:SLEW:RISing 7-117
 - [:SOURce[n]]:VOLTage:SLEW:FALLing 7-118
 - [:SOURce[n]]:LIST<list number>:<element> 7-119
 - [:SOURce[n]]:LIST<list number>:<element>:APPend 7-120
 - [:SOURce[n]]:LIST<list number>:<element>:POINTs? 7-121
 - [:SOURce[n]]:LIST:END:ZERO 7-122
 - [:SOURce[n]]:LIST:HTIME 7-122
 - [:SOURce[n]]:LIST:LOAD:USB 7-123
 - [:SOURce[n]]:LIST:MCOMplete 7-124
 - [:SOURce[n]]:LIST:RCL 7-125
 - [:SOURce[n]]:LIST:SAVE:INTernal 7-129
 - [:SOURce[n]]:LIST:SAVE:USB 7-129
 - [:SOURce[n]]:LIST:STATe 7-130
- STATus subsystem 7-133
 - :STATus:MEASurement[:EVENT]? 7-134
 - :STATus:MEASurement:ENABLE 7-134
 - :STATus:MEASurement:INSTrument[:EVENT]? 7-135
 - :STATus:MEASurement:INSTrument:ENABLE 7-135
 - :STATus:MEASurement:INSTrument:ISUMmary[:EVENT]? 7-136
 - :STATus:MEASurement:INSTrument:ISUMmary:ENABLE 7-136
 - :STATus:MEASurement:INSTrument:ISUMmary:CONDition? 7-137
 - :STATus:OPERation[:EVENT]? 7-138

:STATus:OPERation:ENABLE.....	7-138
:STATus:OPERation:INSTrument[:EVENT]?	7-139
:STATus:OPERation:INSTrument:ENABLE.....	7-139
:STATus:OPERation:INSTrument:ISUMmary[:EVENT]?	7-140
:STATus:OPERation:INSTrument:ISUMmary:ENABLE.....	7-141
:STATus:OPERation:INSTrument:ISUMmary:CONDition?	7-141
:STATus:PRESet	7-142
:STATus:QUEStionable[:EVENT]?	7-143
:STATus:QUEStionable:ENABLE.....	7-143
:STATus:QUEStionable:INSTrument[:EVENT]?	7-144
:STATus:QUEStionable:INSTrument:ENABLE.....	7-144
:STATus:QUEStionable:INSTrument:ISUMmary[:EVENT]?	7-145
:STATus:QUEStionable:INSTrument:ISUMmary:ENABLE.....	7-146
:STATus:QUEStionable:INSTrument:ISUMmary:CONDition?	7-147
SYSTem subsystem	7-147
:SYSTem:AZERo[n][:STATe]	7-147
:SYSTem:BEEPer:ERRor[:STATe]	7-148
:SYSTem:COMMunication:ABORt	7-148
:SYSTem:COMMunication:LAN:CONFigure	7-149
:SYSTem:COMMunication:LAN:MACaddress?	7-150
:SYSTem:DATE	7-151
:SYSTem:ERRor?	7-151
:SYSTem:ERRor:CLear	7-152
:SYSTem:ERRor:CODE[:NEXT]?	7-152
:SYSTem:ERRor:COUNT?	7-153
:SYSTem:EVENTlog:SAVE	7-153
:SYSTem:GPIB:ADDResS.....	7-154
:SYSTem:KCLick	7-155
:SYSTem:LOCAl.....	7-155
:SYSTem:LFRequency?	7-156
:SYSTem:PASSword:LOCK.....	7-156
:SYSTem:PASSword:MODE.....	7-157
:SYSTem:PASSword:NEW	7-157
:SYSTem:PASSword:UNLock.....	7-158
:SYSTem:POSetup:STATe	7-159
:SYSTem:PRESet	7-159
:SYSTem:RWLock	7-160
:SYSTem:TIME	7-160
:SYSTem:VERSIon?	7-161
TRACe subsystem.....	7-161
:TRACe[n]:CLear or :DATA[n]:CLear	7-161
:TRACe[n]:CLear:AUTO or :DATA[n]:CLear:AUTO.....	7-162
:TRACe[n]:DATA? or :DATA[n]:DATA?	7-162
:TRACe[n]:DATA:SELEcted? or :DATA[n]:DATA:SELEcted?.....	7-164
:TRACe[n]:FEED or :DATA[n]:FEED.....	7-166
:TRACe[n]:FEED:CONTRol or :DATA[n]:FEED:CONTRol.....	7-167
:TRACe[n]:POINts or :DATA[n]:POINts.....	7-168
:TRACe[n]:POINts:ACTual? or :DATA[n]:POINts:ACTual?	7-168
:TRACe[n]:SAVE or :DATA[n]:SAVE.....	7-169
:TRACe[n]:TRIGger:CURRent:DIRectiOn.....	7-170
:TRACe[n]:TRIGger:CURRent[:LEVel]	7-170
:TRACe[n]:TRIGger:CURRent:STATe	7-171
:TRACe[n]:TRIGger:OCCUR?	7-172
:TRACe[n]:TRIGger:OFFSet	7-172
:TRACe[n]:TRIGger:VOLTagE:DIRectiOn.....	7-173
:TRACe[n]:TRIGger:VOLTagE[:LEVel]	7-173
:TRACe[n]:TRIGger:VOLTagE:STATe	7-174
TRIGger subsystem.....	7-174

:TRIGger[:SEQuence[n]]:COUNT.....	7-174
:TRIGger[:SEQuence[n]]:SAMPle:COUNT.....	7-175
:TRIGger[:SEQuence[n]]:SOURce.....	7-176

Troubleshooting guide 8-1

Introduction	8-1
Contacting support	8-1
What to do if the power supply does not turn on.....	8-1
LAN troubleshooting suggestions.....	8-2
Error summary.....	8-3

Next steps 9-1

Additional 2281S-20-6 information	9-1
---	-----

Maintenance..... A-1

Introduction	A-1
Line fuse replacement	A-1
Upgrading the firmware	A-2
From the front panel.....	A-3
Cleaning the front-panel display.....	A-4

Verification..... B-1

Overview	B-1
Test record	B-1
DC voltage setting accuracy with remote sense.....	B-2
DC voltage setting accuracy without remote sense.....	B-3
DC voltage readback accuracy with remote sense	B-3
DC voltage readback accuracy without remote sense	B-3
DC voltage line regulation	B-4
DC voltage load regulation.....	B-4
DC overvoltage protection.....	B-4
Sink current capability	B-4
Sink current readback accuracy (1 A range).....	B-4
Sink current readback accuracy (10 mA range)	B-5
Sink current readback accuracy (100 mA range)	B-5
DC current accuracy	B-5
DC current readback accuracy (10 A range).....	B-6
DC current readback accuracy (1 A range).....	B-6
DC current readback accuracy (10 mA range).....	B-6
DC current readback accuracy (100 mA range).....	B-7
DC current line regulation.....	B-7
DC current load regulation	B-7
DC overcurrent protection	B-7
Voltage noise at 20 MHz.....	B-8
Current noise at 20 MHz	B-8
Performance verification procedures.....	B-8
Performance verification conditions	B-9
Required equipment.....	B-10

Check DC voltage setting readback accuracy with remote sense.....	B-10
Check DC voltage setting accuracy without remote sense	B-12
Check DC voltage readback accuracy without remote sense	B-15
Check DC voltage line regulation	B-17
Check DC voltage load regulation.....	B-19
Check DC overvoltage protection.....	B-20
Check sink current capability.....	B-20
Check sink current readback accuracy (1 A range).....	B-21
Check Sink current readback accuracy (100 mA and 10 mA ranges).....	B-23
Check DC current accuracy	B-24
Check DC current readback accuracy (10 A and 1 A ranges).....	B-25
Check DC current readback accuracy (100 mA and 10 mA ranges).....	B-26
Check DC current line regulation	B-28
Check DC current load regulation	B-30
Check overcurrent protection	B-31
Check voltage noise (20 MHz)	B-31
Check current noise (20 MHz).....	B-33

Calibration..... C-1

Overview	C-1
Environmental conditions.....	C-1
Wamup period.....	C-2
Line power.....	C-2
Calibration considerations.....	C-2
Calibration cycle.....	C-2
Required equipment.....	C-3
Characterization shunts	C-3
Calibration connection	C-6
Voltage calibration connections.....	C-6
Current calibration connections.....	C-8
Sink current calibration connections.....	C-10
Front-panel calibration procedure	C-11
Voltage calibration.....	C-11
Low-current calibration	C-12
High-current calibration	C-13
Low-sink-current calibration	C-15
High-sink-current calibration.....	C-16
Saving calibration constants from the front panel.....	C-17
Remote calibration procedure	C-17
Remote voltage calibration.....	C-18
Remote low-current calibration.....	C-19
Remote high-current calibration	C-20
Remote low-sink-current calibration.....	C-22
Remote high-sink-current calibration.....	C-23
Saving calibration constants using SCPI commands	C-25
Configure the calibration date	C-25
Exit the calibration procedure using SCPI commands	C-25
Change the calibration password	C-26
Calibration constants	C-27

Status model..... D-1

Overview	D-1
----------------	-----

Programming and reading registers	D-4
Programming enable registers	D-4
Reading the registers	D-5
Clearing the registers	D-5
Status byte and service request	D-5
Status Byte Register	D-6
Service Request Enable Register	D-7
Status register sets	D-7
Register bit descriptions	D-8
Event registers	D-17
Event enable registers	D-17
Condition registers	D-17
Queues	D-17
Output queue	D-17
Error queue	D-18
Serial polling and SRQ	D-18
Status model programming examples	D-18
SRQ when reading buffer becomes full	D-18
SRQ when trigger model is finished	D-19

Introduction

In this section:

Welcome	1-1
Extended warranty	1-1
Contact information	1-1
CD-ROM contents	1-2
Organization of manual sections	1-3
Key features	1-4
Standard accessories	1-4
Optional accessories	1-6
Available services	1-6
General ratings	1-7
New terms in 2281S-20-6	1-7

Welcome

Thank you for choosing a Keithley Instruments product. The 2281S-20-6 Precision DC Supply and Battery Simulator is a high-sensitivity, low-noise, and programmable instrument that sources stable low-noise voltage, and can monitor load currents over a wide dynamic range from amperes to nanoamperes.

Other than serving as a power supply, it can also conduct battery test by charging and discharging the battery under test and create a model for the battery. In addition, 2281S-20-6 can simulate batteries to facilitate tests conducted on the products supplied by batteries.

The high-resolution, 4.3 inch TFT color display presents numerous parameters that describe the state of the instrument to enable you to get the most information from your measurements.

Extended warranty

Additional years of warranty coverage are available on many products. These valuable contracts protect you from unbudgeted service expenses and provide additional years of protection at a fraction of the price of a repair. Extended warranties are available on new and existing products. Contact your local Keithley Instruments office, sales partner, or distributor for details.

Contact information

If you have any questions after you review the information in this documentation, please contact your local Keithley Instruments office, sales partner, or distributor. You can also call Keithley Instruments corporate headquarters (toll-free inside the U.S. and Canada only) at 1-800-935-5595, or from outside the U.S. at +1-440-248-0400. For worldwide contact numbers, visit the [Keithley website \(http://www.keithley.com\)](http://www.keithley.com).

CD-ROM contents

The 2281S-20-6 Product Information CD-ROM is shipped with each 2281S-20-6 instrument. (Keithley Instruments part number 063-4507-00)

The 2281S-20-6 Product Information CD-ROM contains:

- **Quick Start Guide:** Provides unpacking instructions, describes basic connections, reviews basic operation information, and provides a quick test procedure to ensure the instrument is operational.
- **Reference Manual:** Includes advanced operation topics, maintenance information, troubleshooting procedures, and in-depth descriptions of programming commands.
- **Accessories information:** Documentation for accessories that are available for the 2281S-20-6.
- **Drivers and release notes:** IVI Instrument Driver, National Instruments LabVIEW™ driver, and related release notes.

For the latest drivers and additional support information, see the [Keithley Instruments website](http://www.keithley.com) <http://www.keithley.com>.

Organization of manual sections

The information in this manual is organized into the following major categories:

General operation: Describes the components of the instrument and basic operation.

Functions and features: Describes features and functions, such as measure operations, battery test, battery simulation, list mode, reading buffers, triggering, the digital I/O port, graph function, output delay, and slew rate.

Measurement optimization: Describes best practices and recommended procedures that can increase measurement speed, accuracy, and sensitivity.

Introduction to SCPI commands: Describes how to control the instrument using SCPI commands.

SCPI command reference: Contains programming notes and an alphabetical listing of all SCPI commands available for the 2281S-20-6.

Troubleshooting guide: Describes the event log and basic LAN troubleshooting.

Application examples: Provides set-ups for applications, such as for low-current measurements, list mode operations, battery test, and battery simulation.

Next steps: Contains sources of additional information.

Maintenance: Contains information about instrument maintenance, including line fuse replacement and firmware upgrades.

Calibration: Contains information about instrument calibration from the front panel and using SCPI commands.

Status model: Describes the 2281S-20-6 status model.

The PDF version of this manual contains bookmarks for each section. The manual sections are also listed in the Table of Contents at the beginning of this manual.

For more information about bookmarks, see Adobe® Acrobat® or Reader® help.

Key features

The 2281S-20-6 has three basic functions: high performance power supply, battery test, and battery simulation.

- As a high-performance power supply:
 - High-current resolution and sensitivity to measure a wide range of load currents
 - 6½-digit measurement resolution to enable a wide range of measurements while on one current range
 - Fast current measurements to test or study load current pulses as narrow as 100 µs
 - Linear mode, low noise output
- As a battery test instrument:
 - Battery capacity test with charging/discharging functions
 - Log battery charge/discharge process and data (V, I, R and Amp-Hour information)
 - Generate battery model based on battery test result
 - Measure open circuit voltage and resistance
- As a battery simulator:
 - Simulate real battery based on battery model
 - Dynamic and static simulation mode to simulate battery output
 - Intuitive way to show battery capacity and battery voltage on home screen
- Other features:
 - Color TFT display with icon-based and soft key user interface
 - Data logging and analysis with graphical display and statistics for trend analysis
 - GPIB, USB-TMC and LAN LXI interfaces for automated test development
 - Digital I/O for rich trigger functions
 - Direct parameter entry using the numeric keypad, soft keys, or the navigation wheel
 - Front-panel USB-A connector for flash-drive support
 - Front and rear inputs with remote sense connections on the rear panel connector
 - Overcurrent, overvoltage, and over temperature protection
 - Compact, 2U, half rack, stackable form factor fits easily in a test rack

Model	Description
2281S-20-6	Precision measurement DC power supply, 20 V, 6 A

Standard accessories

Accessory	Part number
Model 2281-001 Output Mating Connector	2281-001
LAN crossover cable	CA-180-3A
Documentation CD	063456000
Quick start guide	For details, see the following table.
Certification of Calibration	

You will get one of the following quick start guides.

Languages	Part number
English	071343000
Simplified Chinese	071343200
Traditional Chinese	071343300
Japanese	071343100

You will also get one of the following power cords:

Option A0 North America and South America. The factory sets the line-voltage selector switch to 110 V.

Option A1 Universal Euro. The factory sets the line-voltage selector switch to 220 V.

Option A2 United Kingdom. The factory sets the line-voltage selector switch to 220 V.

Option A3 Australia. The factory sets the line-voltage selector switch to 220 V

Option A4 Chile, Italy. The factory sets the line-voltage selector switch to 220 V.

Option A5 Switzerland. The factory sets the line-voltage selector switch to 220 V.

Option A6 Japan. The factory sets the line-voltage selector switch to 100V.

Option A7 Denmark. The factory sets the line-voltage selector switch to 220 V.

Option A8 Israel. The factory sets the line-voltage selector switch to 220 V.

Option A9 Argentina. The factory sets the line-voltage selector switch to 220 V.

Option A10 China. The factory sets the line-voltage selector switch to 220 V.

Option A11 India. The factory sets the line-voltage selector switch to 220 V.

Optional accessories

Optional accessory	Part number
Model 2281-001 Output Mating Connector	2281-001
USB Cable Type A to B, 1 m (3.3 ft)	USB-B-1
LAN crossover cable	CA-180-3A
IEEE-488.2 Interface Board for the PCI Bus	KPCI-488LPA
Double Shielded Premium IEEE-488 Interface Cables, 0.5m (1.6 ft)	7007-05
Double Shielded Premium IEEE-488 Interface Cables, 1m (3.2 ft)	7007-1
Double Shielded Premium IEEE-488 Interface Cables, 2m (6.5 ft)	7007-2
Double Shielded Premium IEEE-488 Interface Cables, 3m (10 ft)	7007-3
Double Shielded Premium IEEE-488 Interface Cables, 4m (13 ft)	7007-4
Single Fixed Rack-Mount Kit	4299-8
Dual Fixed Rack-Mount Kit	4299-9
Dual Fixed Rack-Mount Kit for one 2U Graphical Display Instrument and one Series 24xx, Series 2000, or 2U Agilent Instrument	4299-11
Dual Fixed Rack-Mount Kit for one 2U Graphical Display Instrument and one Series 26xx Instrument	4299-10
Model 2450-TLINK Trigger link Cable	131909200

Available services

For the most up-to-date list of available services and accessories, upgrades, and options for your instrument, visit the [Keithley Instruments website](http://www.keithley.com) (<http://www.keithley.com>).

Service	Model Number
1 additional year of factory warranty beyond the 3-Year factory warranty (total of 4 years)	2281S-20-6-EW
2 additional years of factory warranty beyond the 3-Year factory warranty (total of 5 years)	2281S-20-6-5Y-EW
KeithleyCare 3 Year Standard Calibration Plan	C/2281S-20-6-3Y-STD
KeithleyCare 3 Year Calibration w/Data Plan	C/2281S-20-6-3Y-DATA
KeithleyCare 5 Year Standard Calibration Plan	C/2281S-20-6-5Y-STD
KeithleyCare 5 Year Calibration w/Data Plan	C/2281S-20-6-5Y-DATA

General ratings

The 2281S-20-6 instrument's general ratings and connections are listed in the following table.

Category	Specification
Supply voltage range	Four ranges: 100 V 120 V, 220 V, 240 V and each range capable of +/-10 % tolerance, 50 Hz or 60 Hz. Selectable by the line-voltage selector switch on the rear panel.
Output connections	See Test connections (on page 2-49).
Environmental conditions	For indoor use only. Altitude: Maximum 2000 meters (6562 feet) above sea level. Operating: 0 °C to 40 °C (32 °F to 104 °F), full accuracy to 80% relative humidity at up to 35 °C (95 °F), non-condensing. Storage: -20 °C to 70 °C (-4 °F to 158 °F), 5% to 95% relative humidity at up to 40 °C (+104 °F) and 5% to 60% relative humidity above 40 °C (+104 °F) up to 70 °C (+158 °F). Pollution degree: 2.

Line fuse characteristics are shown in the following table.

Model	100 V/120 V AC source	220 V/240 V AC source
2281S-20-6	250 V, 5 A, Time delay	250 V, 2.5 A, time delay

New terms in 2281S-20-6

Term	Explanation
ESR	Equivalent Series Resistance
Voc	Open-circuit voltage
Vt	Terminal voltage
Amp-Hour (A-H)	Unit for battery capacity
SOC	State of Charge
Battery model	A profile of a battery that contains the information of Voc and ESR in different states of SOC
V-Full	The voltage of the battery when it is fully charged
V-Empty	The voltage of the battery when it is fully discharged
Dynamic	During the dynamic battery simulation, the open voltage and SOC change with the charging and discharging
Static	During the static battery simulation, the open voltage and SOC stay the same

General operation

In this section:

Front panel overview	2-1
Rear-panel overview	2-3
Front-panel user interface	2-4
Installing the system.....	2-37
Test connections	2-49
Remote communication interfaces	2-55
Set voltage and current limit.....	2-78
Select a measurement function.....	2-80
Select a specific measurement range	2-82
Protection.....	2-84
Saving setups.....	2-88
Using the event log	2-91
System information	2-92
Instrument sounds.....	2-92
Resets.....	2-93

Front panel overview

The front panel of 2281S-20-6 is shown below. Descriptions of the controls on the front panel follow the figure.

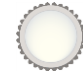



Figure 1: 2281S-20-6 front panel



POWER switch




Turns the instrument on or off. To turn the instrument on, press the power switch so that it is in the on position (I). To turn it off, press the power switch so that it is in the off position (O).

HOME key		Returns the display to the Home screen.
MENU key		Opens the main menu. Select the icons using the navigation control and pressing the ENTER key to open source, measure, views, trigger, and system screens. For details, see Menu overview.
USB port		Saves reading buffer data and screen snapshots to a USB flash drive. Also stores and retrieves scripts to and from a USB flash drive. The flash drive must be formatted as a FAT drive.
LCD screen		The 2281S-20-6 has a high-resolution, 4.3-inch color TFT LCD display. You can access additional interactive screens by pressing the front-panel MENU key.
Navigation control		Turning the navigation control: Moves the cursor to the left or the right to highlight a listed value or menu item so that you can select it.
ENTER key		Selects the highlighted choice or allows you to edit the selected field.
EXIT key		Returns to the previous screen or closes a dialog box. For example, press the EXIT key when the main menu is displayed to return to the Home screen. When you are viewing a subscreen (for example, the Event Log screen), press the EXIT key to return to the main menu screen.
TRIGGER key		Accesses trigger-related settings and operations. The action of the TRIGGER key depends on the instrument state.
Soft key		There are five soft keys located under the display. They provide access to additional settings on multiple screens. For example, press first soft key when the main menu screen is displayed to move the cursor to the left.
OUTPUT ON/OFF switch		Turns the output source on or off. The key illuminates when the source output is on.

REMOTE LED indicator REMOTE ● Illuminates when the instrument is controlled through a remote interface.

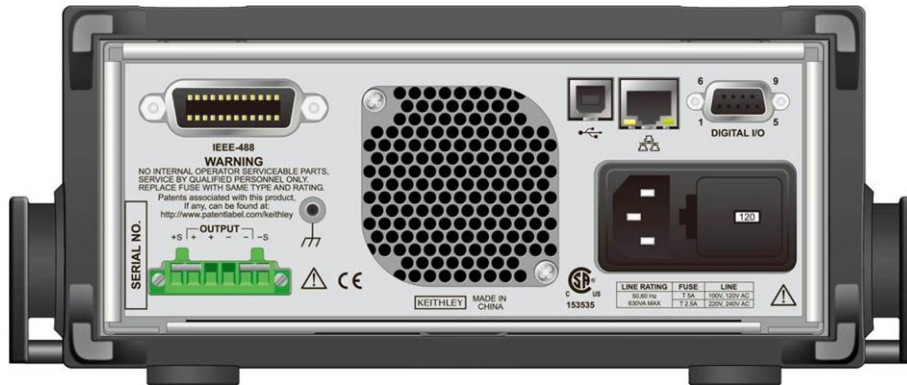
LAN LED indicator LAN ● Illuminates when the instrument is connected to a local area network (LAN).

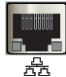
Front panel binding posts  Positive, negative, and ground output binding posts for output connections.


Rear-panel overview


The rear panel of the 2281S-20-6 is shown below; descriptions follow the figure.

Figure 2: 2281S-20-6 rear panel



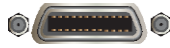
LAN port  Supports full connectivity on a 10 Mbps or 100 Mbps network. The 2281S-20-6 is an LXI version 1.4 Core 2011 compliant instrument that supports TCP/IP and complies with IEEE Std 802.3 (ethernet LAN). See [LAN communication](#) (on page 2-59).

USB port  USB-B connection for communication, control, and data transfer. For details, see [USB communications](#) (on page 2-73).

Power module  The power module contains the AC line receptacle, the power line fuse, and the line voltage selector switch. For safety precautions and other details, see Line fuse replacement and [Power the instrument on and off](#) (on page 2-46).

Digital I/O port

A digital input/output port that detects and outputs digital signals. The port provides six digital I/O lines. Each output is set high (+5 V) or low (0 V) and can read high or low logic levels. Each digital I/O line is an open-drain signal. Refer to Digital I/O for information.

IEEE-488 port

GPIB connection; the default setting for the 2281S-20-6 is 5. Refer to GPIB setup.

Rear output terminals

Connections for the source outputs and the sense inputs.

Front-panel user interface

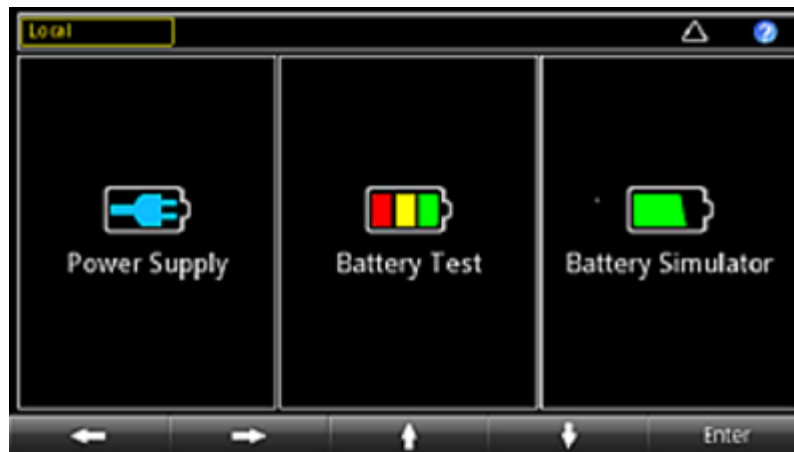
The front-panel user interface gives you quick access to the functions of this instrument. It includes the startup screen to choose function, home screens for three functions, and menus for the functions.

The following topics describe the features of the user interface in more details.

Startup screen

After you turned on the 2281S-20-6, you will see the following startup screen:

Figure 3: Startup screen



As you can see from the figure, 2281S-20-6 has three functions:

- High-precision power supply: Supplies 20 V, 6 A DC source
- Battery test: Conducts battery charging and discharging test to be able to calculate the capacity and resistance of the battery and create a battery model
- Battery simulator: Simulates a battery to determine what the effects the battery has on the Device Under Test (DUT) in different states.

You can choose one function by turning the navigation control or pressing the soft keys and press Enter to access the respective home screens of the function.

Home screens

Each function has its respective home screens.

Home screens for power supply

There are three home screens. The default screen that you see whenever you choose the power supply function is home screen 1. Home screen 2 and home screen 3 give you more settings.

The following figure shows the home screen 1 with the different areas of the screen numbered. Descriptions of the screen areas are in the table following the figure.

Figure 4: Power supply home screen



#	Screen element	Description
1	System status and event indicators	These indicators provide information about the present state of the instrument. Some of the indicators open up a dialog box with more information or a settings menu when selected. For details, see Status and error indicators (on page 2-6).
2	OUTPUT view area	The green part of the home screen; displays the value of the present outputs and status indicators.
3	Setting area	Shows the presently set measure range, voltage, and current limit.
4	Soft-key areas	Shows the present setting values. You can change these values by pressing the button below the screen. By pressing the Next button, you can access two other screens with more soft keys.

Status and error indicators

The indicators across the top of the home screen contain information about the following instrument settings and states. Press an indicator (or highlight it by turning the navigation control) and then press **ENTER** to get more information about the present state of the instrument.

Communication settings status indicator

Move the focus to the communication indicator using the navigation control and press the **Enter** key to see a list of present communications settings.

Figure 5: 2281S-20-6 communication status indicator



Indicator	Meaning
Local	Instrument is controlled from the front panel.
GPIB	Instrument is communicating through a GPIB interface.
VXI-11	Instrument is communicating using VXI-11.
USBTMC	Instrument is communicating through a USB interface.
WebPage	Instrument is communicating through a SCPI command LXI web page.

Instrument communication activity indicator

The activity indicator is located to the right of the communication settings status indicator. When the instrument is communicating with a remote interface, the up and down arrows flash.

Figure 6: Instrument communication activity indicator



If a service request has been generated, SRQ is displayed to the right of the up and down arrows. You can configure the instrument to generate a service request (SRQ) when one or more errors or conditions occur. This indicator stays on until the serial poll byte is read or all the conditions that caused SRQ are cleared.

Buffer indicator

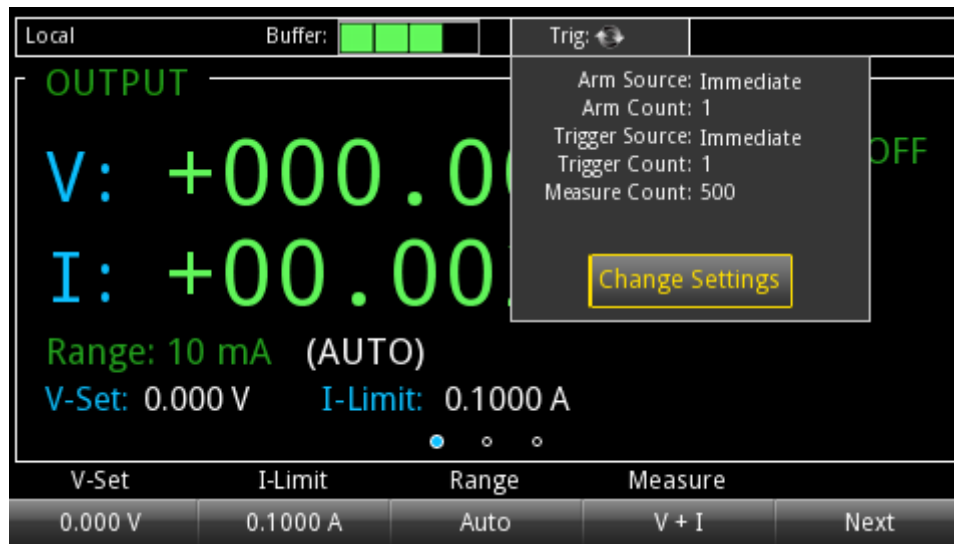
This green bar next to Buffer indicates how full the buffer is.

Green bar	Buffer status
	Empty
	Less than one-quarter full
	Less than half full, more than one-quarter full
	Less than three-quarter full, more than half full
	More than three-quarter full

Trigger mode settings indicator

This indicator shows the status of the trigger operation.

Figure 7: Trigger indicator



List and recall settings indicator

This indicator shows the specified list number or recall settings.

Figure 8: List and recall settings indicator






Error and event indicator

Move the focus to the error and event indicator using navigation control and press the **Enter** key to see the present error and event messages. With the focus on the Event Log button, press **Enter** to see the Error and Event Log.

Figure 9: Error and event indicator



This indicator has a different appearance based on the type of event that has been logged.

Icon	Description
	A serious error has occurred. These major errors are: <ul style="list-style-type: none"> Over-protection error (overvoltage, overcurrent, or overtemperature protection). Reverse sense leads.
	A normal error has occurred. All the errors except the serious errors listed above are normal errors, such as SCPI command errors and data overflow error.
	No new error or event messages have been logged since you last viewed the error log.

OUTPUT view area

This area displays the value of the present measurements and instrument status indicators.

The table lists the indicators shown on the right of the OUTPUT view area.

Indicator	Status description
Output status	The instrument always has one of the following indicators visible: <ul style="list-style-type: none"> OFF: The output is turned off. CV: The output is turned on and the power supply is in constant voltage (CV) mode. CC: The output is turned on and the power supply is in constant current (CC) mode. DISABLE: The output is turned off and pressing the OUTPUT switch does not turn on the output.
Fault status	The fault status indicator means that an error occurred: <ul style="list-style-type: none"> OVP: Overvoltage protection. OCP: Overcurrent protection. OTP: Overtemperature protection. RVS: Reversed sense leads on rear panel.
Calculation status	CALC : If either math or filter operation is enabled, the CALC indicator is displayed in the OUTPUT view area. If none of them are enabled, the CALC indicator is cleared.
Relative offset status	REL : If relative offset is enabled, the REL indicator is displayed.
Remote status	RWLOCK : All of the front-panel keys are disabled. The instrument can only be controlled using a remote interface.

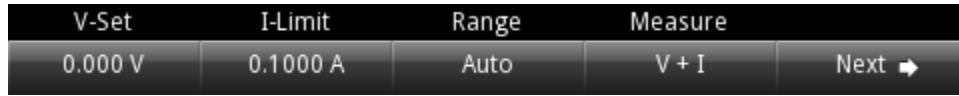
Soft-key areas for power supply

The 2281S-20-6 display has multiple soft-key areas that you can access by pressing the **NEXT** soft key. The soft-key areas give you front-panel access to some instrument settings so that you can change, enable, or disable them quickly. The following topics describe the soft-key areas for power supply.

Soft key area 1

Soft-key area 1 contains the settings shown in the following figure and explained in the table. To change a setting, press the soft key to open a setting window. After configuration, close the window by pressing the **ENTER** or **EXIT** key.

Figure 10: Soft key area 1



Setting	Description	
V-Set	Configure the voltage setting using the numerical keys, soft keys, and navigation control.	
I-Limit	Configure the current setting using the numerical keys, soft keys, and navigation control.	
Range	Press the up arrow to move up a range; press the down arrow to move down a range. Press AUTO to set autorange.	
Measure	Configure the measurement function.	
	V + I	Press soft key 1 to change the measurement function to concurrent.
	V	Press soft key 2 to change the measurement function to voltage.
	I	Press soft key 3 to change the measurement function to current.
Next	Switch to home screen 2.	

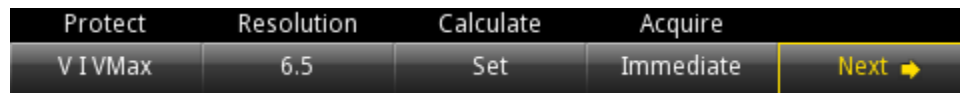
NOTE

If you use the navigation control to adjust the voltage and current settings, the values are applied to the instrument immediately when output is ON.

Soft key area 2

Soft key area 2 contains the settings shown in the following figure and explained in the table.

Figure 11: Soft key area 2

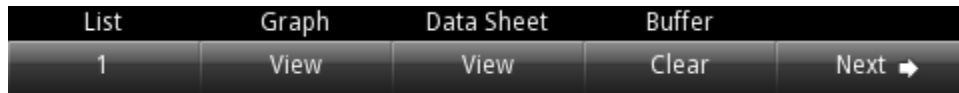


Setting	Description	
Protect	Configure the safety settings using the numerical keys, soft keys, and navigation control.	
	OVP	Edit the voltage threshold for overvoltage protection.
	OCP	Edit the current threshold for overcurrent protection.
	VMAX	Edit the maximum voltage setting value.
Resolution	Specify the measurement resolution for the selected measurement function.	
Calculate	Specify the calculate functions including relative, math, and filter.	
	Rel	Enable or disable the relative function, and set the current value as the reference value.
	Math	Enable or disable the math function.
	Filter	Enable or disable the filter function.
Acquire	Configure the source trigger mode.	
	Immediate	Set the source to immediate triggering.
	External	Set the source to external triggering.
	Manual	Set the source to manual triggering.
Next	Switch to home screen 3.	

Soft key area 3

Soft key area 3 contains the settings shown in the following figure and explained in the table. To change a setting, press the soft key to open a setting window. After configuration, close the window by pressing the **ENTER** or **EXIT** key.

Figure 12: Soft key area 3



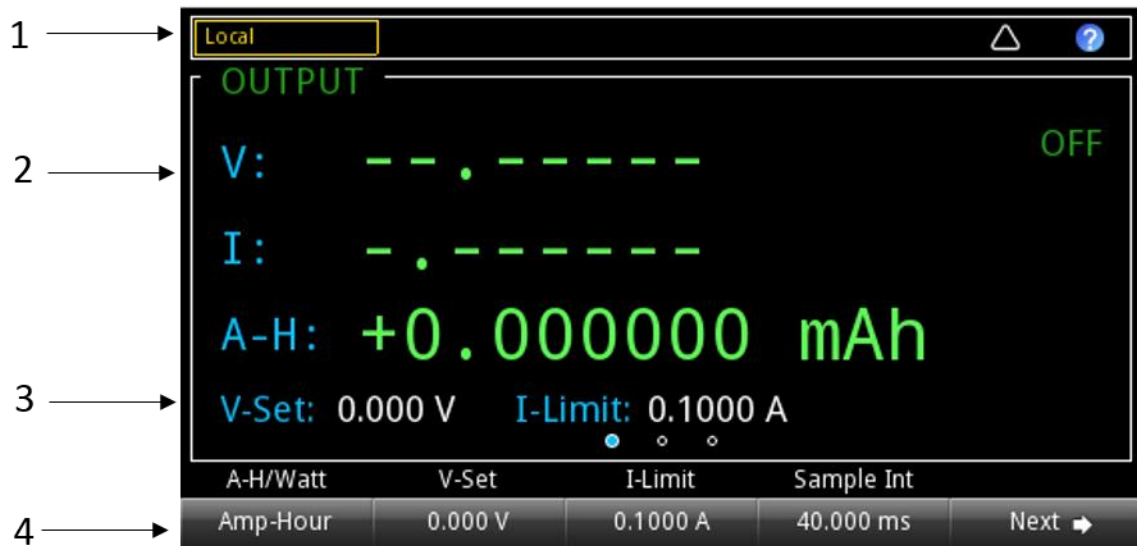
Setting		Description
List		Configure the list function.
	Enable	Run a specified list.
	Number	Specify the list number. The default setting for list number is demo. You can run a pre-defined list. For more information about demo, see System Manage menu.
	Hold Time	Set the list running time as Point or Time .
	End Zero	Enable or disable setting the voltage to 0 V after the list operation has ended.
	Mode	Select a list mode and specify the list cycle.
Graph		View the data plot.
Data Sheet		View the data sheet.
Buffer		Clear the data buffer.
Next		Switch to home screen 1.

Home screens for battery test

There are three home screens. The default screen that you see when you choose the battery test function is home screen 1. Home screen 2 and home screen 3 give you more settings.

The following figure shows the home screen 1 with the different areas of the screen numbered. Descriptions of the screen areas are in the table following the figure.

Figure 13: Battery test home screen 1



#	Screen element	Description
1	System status and event indicators	These indicators provide information about the present state of the instrument. Some of the indicators open up a dialog box with more information or a settings menu when selected. If the Measure A-H function is on, its status is indicated in this area as running or pause. For more details, see Status and error indicators (on page 2-6).
2	OUTPUT view area	The green part of the home screen; displays the value of the present outputs and status indicators. <ul style="list-style-type: none"> The A-H part indicates how much electricity transferred between the battery and the instrument. The + or - indicate the direction of the current. + means the instrument is sourcing electricity to the battery, and - means the battery is outputting electricity to the instrument. ON/OFF indicates whether the instrument is outputting electricity. For other values and settings in this area, please refer to OUTPUT view area (on page 2-9).
3	Setting area	Shows the presently set measure range, voltage, and current limit. For details, refer to OUTPUT view area (on page 2-9).
4	Soft-key area	Shows the present setting values. You can change these values by pressing the button below the screen. By pressing the Next button, you can access two others screens with more soft keys.

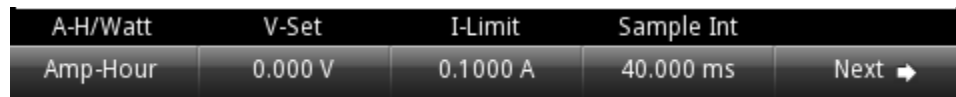
Soft-key areas for battery test

The 2281S-20-6 display has multiple soft-key areas that you can access by pressing the **NEXT** soft key. The soft-key areas give you front-panel access to some instrument settings so that you can change, enable, or disable them quickly. The following topics describe the soft-key areas for battery test.

Soft key area 1

Soft-key area 1 contains the settings shown in the following figure and explained in the table. To change a setting, press the soft key to open a setting window. After configuration, close the window by pressing the **ENTER** or **EXIT** key.

Figure 14: Soft-key area 1 for battery test



Setting	Description
A-H/Watt	Set how the battery capacity is displayed; you can choose between ampere-hour (A-H) and watt-hour (watt).
V-Set	Set the value of voltage for charging and discharging.
I-Limit	Set the maximum current value for charging and discharging.
Sample int	Set the sampling intervals (in seconds) during the charging and discharging.
Next	Switch to home screen 2.

NOTE

If you use the navigation control to adjust the voltage and current settings, the values are applied to the instrument immediately when output is ON.

Soft key area 2

Soft key area 2 contains the settings shown in the following figure and explained in the table.

Figure 15: Soft key area 2 for battery test



Setting	Description
OVP	Set the voltage threshold value for overvoltage protection.
Graph	View the graph of the measurement.
Data Sheet	View the data sheet of the measurement.
Buffer	Clear the data buffer.
Next	Switch to home screen 3.

Soft key area 3

Soft key area 3 contains the settings shown in the following figure and explained in the table. To change a setting, press the soft key to open a setting window. After configuration, close the window by pressing the **ENTER** or **EXIT** key.

Figure 16: Soft key area 3 for battery test



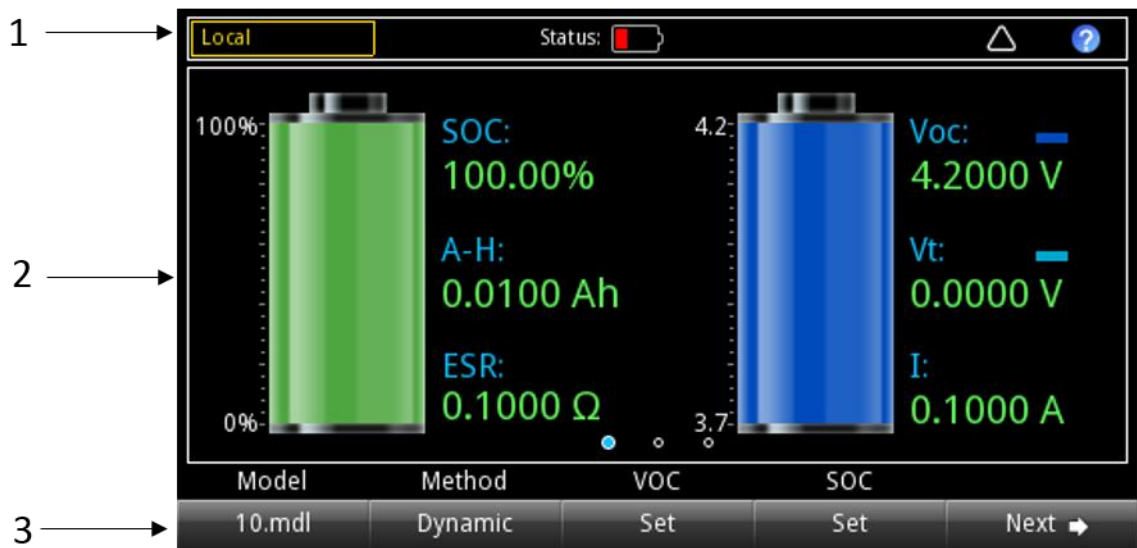
Setting	Description
Measure AH	Specify whether to turn on the measuring A-H function.
Next	Switch to home screen 1.

Home screens for battery simulator

There are three home screens. The default screen that you see when you choose the battery simulation function is home screen 1. Home screen 2 and home screen 3 give you more settings.

The following figure shows the home screen 1 with the different areas of the screen numbered. Descriptions of the screen areas are in the table following the figure.

Figure 17: Battery simulation home screen 1



#	Screen element	Description
1	System status and event indicators	<p>These indicators provide information about the present state of the instrument. Some of the indicators open up a dialog box with more information or a settings menu when selected.</p> <p>When the Status icon is partially filled with red, it indicates that the battery is being discharged.</p> <p>When the Status icon is filled with a lightning bolt symbol, it indicates that the battery is being charged.</p>
2	OUTPUT view area	<p>This part displays the status of the battery simulation.</p> <p>The battery symbol in the left represents the remaining battery capacity.</p> <ul style="list-style-type: none"> • SOC means state of charge, the remaining battery capacity shown as a percentage. • A-H indicates the battery capacity in ampere-hour. • ESR indicates the equivalent battery resistance. <p>The battery symbol in the right represents the output voltage.</p> <ul style="list-style-type: none"> • Voc is the open-circuit voltage, represented in dark blue. • Vt is the battery voltage when it is connected to a load. It changes depending on the load. It is represented in light blue. • I displays the charging/ discharging current. When the value is in negative (-), the battery is being charged.
3	Soft-key area	<p>Shows the present setting values. You can change these values by pressing the button below the screen.</p> <p>By pressing the Next button, you can access two others screens with more soft keys.</p>

Soft-key areas for battery simulator

The 2281S-20-6 display has multiple soft-key areas that you can access by pressing the **NEXT** soft key. The soft-key areas give you front-panel access to some instrument settings so that you can change, enable, or disable them quickly. The following topics describe the soft-key areas for the battery simulator.

Soft key area 1

Soft-key area 1 contains the settings shown in the following figure and explained in the table. To change a setting, press the soft key to open a setting window. After configuration, close the window by pressing the **ENTER** or **EXIT** key.

Figure 18: Soft key area 1 for battery simulation

Model	Method	VOC	SOC	
10.mdl	Dynamic	Set	Set	Next →

Setting	Description
Model	Choose the model of the battery
Method	Choose the mode of the simulation, you may choose between Dynamic and Static
VOC	Set the initial open-circuit voltage for the battery
SOC	Set the initial battery capacity in percentage
Next	Switch to home screen 2.

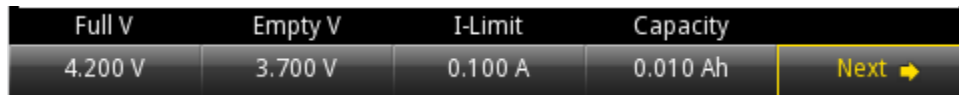
NOTE

If you use the navigation control to adjust the voltage and current settings, the values are applied to the instrument immediately when the output is ON.

Soft key area 2

Soft key area 2 contains the settings shown in the following figure and explained in the table.

Figure 19: Soft key area 2 for battery simulation



Setting	Description
Full V	Set the voltage value when the battery is fully charged. Charging stops when the voltage reaches this value
Empty V	Set the voltage value when the battery is completely discharged. Discharging stops when the voltage reaches this value
I-Limit	Set the maximum current value for discharging
Capacity	Set the battery capacity
Next	Switch to home screen 3.

Soft key area 3

Soft key area 3 contains the settings shown in the following figure and explained in the table. To change a setting, press the soft key to open a setting window. After configuration, close the window by pressing the **ENTER** or **EXIT** key.

Figure 20: Soft key area 3 for battery simulation

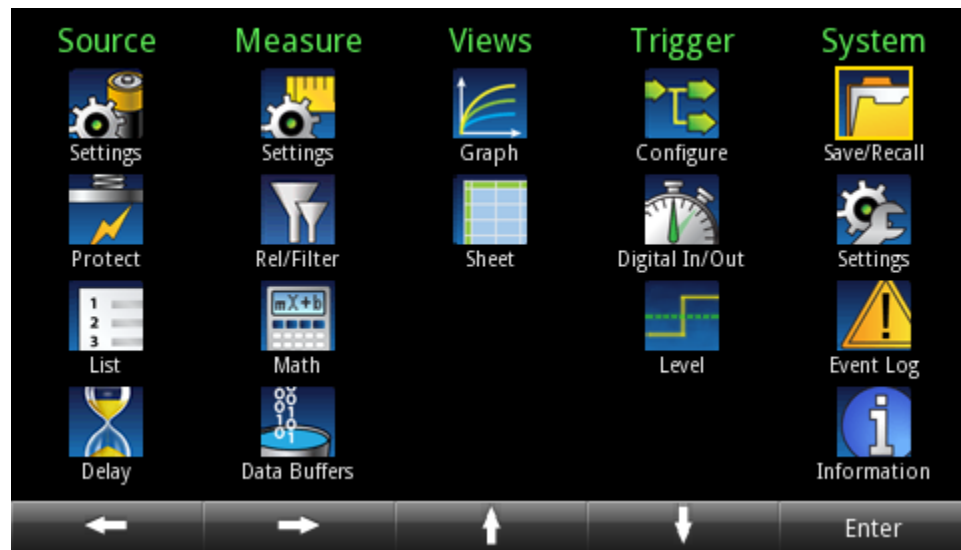


Setting	Description
OVP	Set the voltage threshold for overvoltage protection.
Graph	View the graph of the measurement.
Data Sheet	View the data sheet of the measurement.
Buffer	Clear the data buffer.
Next	Switch to home screen 1.

Power supply menu overview

To access the main menu of the power supply, press the **MENU** key on the 2281S-20-6 front panel when you are in the power supply home screen. The organization of the main menu is shown in the figure below.

Figure 21: Power supply main menu



The main menu is organized into submenus, which are labeled in green across the top of the display. The icons in each column open interactive screens.

Source menu

The menus organized under Source in the main menu allow you to select, configure, and perform source and list operations from the 2281S-20-6 front panel. The following topics describe the settings that are available on these interactive screens.

Source Settings menu

You can change the following settings by pressing the **MENU** key, moving focus to the Source Settings icon, and pressing the **Enter** key.

Setting	Description
V-Set	Configure the voltage setting using the numerical keys, soft keys, and navigation control.
I-Limit	Configure the current setting using the numerical keys, soft keys, and navigation control.
Output	Turn on or off the output. You can also disable the output. Once output is disabled, the output is off and the OUTPUT key is ignored.
Output Delay	Enable or disable output delay.
Slew Rise	Set the rising rate for voltage source.
Slew Fall	Set the falling rate for voltage source.
Delay Rise	Set the delay time that the instrument waits before turning on the output.
Delay Fall	Set the delay time that the instrument waits before turning off the output.

Source Protection menu

This menu allows you to configure the protection settings.

Setting	Description
Overvoltage Protection	Set the overvoltage protection limit of the source output to restrict the maximum voltage level that the instrument can source.
Overcurrent Protection	Set the overcurrent protection limit of the source output to restrict the maximum current level that the instrument can source.
Maximum Voltage	Set the maximum voltage that can be set. This influences the voltage setting range.

Source List menu

This menu allows you to set up a source configuration list.

Setting	Description
List	Select a list from nonvolatile memory; import a list from an external USB flash drive; save a list to an external USB flash drive.
Save	Save the present list to nonvolatile memory.
Delete	Delete the specified points from the list.
Insert	Insert one point with default settings before each specified point. The default settings are: 0.000 V, 0.100 A, 0.100 s.
Copy	Copy the selected settings of the point and insert a new point with the same settings before each point.
Points	Show the number of points in the list.
List table	This table shows all the setting values in the list. You can edit them by moving focus and pressing the ENTER key.

Source Delay menu

This menu allows you to set a delay for the source. For details, refer to [Source delay](#) (on page 3-9).

Setting	Description
Source Delay	Configure the delay time using the numerical keys, navigation wheel, and soft keys.
State	Enable or disable the delay that occurs when the source is turned on.

Measure menu

The menus organized under Measure in the main menu allow you to select, configure, and perform measure operations from the 2281S-20-6 front panel. The following topics describe the settings that are available on these interactive screens.

Measure Settings menu

This menu contains settings for the presently selected measurement function, which is identified by the **Type** indicator in the upper right corner of the menu. The line frequency is also shown here.

Setting	Description
Function	Select which type of measurement is active: <ul style="list-style-type: none"> • V + I: Concurrent measurement function. The instrument measures voltage and current at the same time. • V: Voltage measurement function. The instrument only measures voltage. • I: Current measurement function. The instrument only measures current.
Range	Set the measurement range for the selected measurement function.
Digits	Select the display digits: 6½, 5½, or 4½ digits.
Auto Zero	Set Auto Zero to On so that the instrument periodically gets new measurements of its internal ground and voltage reference. This setting increases measurement accuracy, but may slow measurement time.
NPLC	Set the amount of time that the input signal is measured. A lower number of power line cycles (NPLCs) results in faster reading rates, but increased noise. A higher number of NPLCs results in lower reading noise, but slower reading rates.

Measure Rel/Filter menu

This menu contains settings that specify the way measurement information is returned.

Setting	Description
Rel State	Use the relative offset feature to subtract a set value or a baseline reading from measurement readings. When you enable relative offset, all subsequent measurements are displayed as the difference between the actual measured value and the relative offset value.
Rel Acquire	Acquire the present reading as a relative value.
Reference	Configure the offset value. You can use Rel Acquire to set the present reading as the relative offset value. You can also specify the relative offset using the numerical keys, navigation control, and soft keys. The default value is 0.
Filter State	Enable or disable filtering of measurements.
Filter Count	Sets the number of measurements that are averaged when filtering is enabled. The number of measurements can be 2 through 100.
Filter Type	The 2281S-20-6 only supports moving average filtering. Select this filter to continuously add measurements to the stack on a first-in, first out basis, replacing the oldest measurement in the stack with a new measurement.
Filter Window	Filtering uses a window to control filter threshold. When the input signal remains within the selected window, measurements continue to be placed in the stack. If the input signal changes to a value outside the window, the filter resets and starts processing again, starting with a new measurements.

Measure Math menu

This menu contains settings that configure the math function.

Setting	Description
Math Type	When the Math State is set to On, the mx+b math operation is performed on measurements. <ul style="list-style-type: none"> mx+b: Manipulate normal display readings by adjusting the m and b factors.
Math State	When the state is set on, any math operations specified for the present measurement function are performed before completing the measurement.
m(Gain)	Specify scale factor for mx+b math operation. The valid range is -1e6 to +1e6.
b(Gain)	Specify the offset for mx+b math operation. The valid range is -1e6 to +1e6.
Units	Specify the units suffix name for mx+b operation. You can only select one capital letter for the name from the front panel.
Buffer Data Type	Select Reading to store measurements to the buffer without performing math operations on them. Select Calc to store measurements to the buffer after performing specified math operations.

Measure Data Buffers menu

From this screen you can save, resize, and clear buffers. You also can set buffer fill mode and statistics functions.

Setting	Description
Size	Set the maximum number of readings the buffer can store (2 to 2,500). Note that when you resize a buffer, the readings contained in that buffer are cleared.
Mode	Select Always to have the buffer fill continuously, overwriting old data when the buffer is filled. Select Next to have the buffer stop collecting data when it is filled (no data is overwritten). Select Never to have the buffer stop collecting data.
Statistics	Select statistics to apply to the readings in the buffer. Available statistics: <ul style="list-style-type: none"> Minimum: Minimum value Maximum: Maximum value Peak-Peak: Maximum value - minimum value Mean: average Std Dev: standard deviation
Statistics Function	Select whether to apply statistics calculations to current or voltage readings. You can only specify one of them at a time.
Auto Clear	Enable or disable autoclear for the buffer. When autoclear is enabled, the buffer will automatically clear when the storage process starts.
Statistics Format	Select the data elements to be shown on the graph and data sheet screen. Available data elements: <ul style="list-style-type: none"> Value: Voltage and current reading Time: The timestamp for the data point Number: reading number
Export To USB	Save the buffer to a <code>.csv</code> file, which can be opened by a spreadsheet program.
Clear Buffer	Clear all the data in the buffer.

Views menu

The menus organized under View in the main menu allow you to view the data plot, sheet, and statistics results on the 2281S-20-6 front panel. The following topics describe the settings that are available on these interactive screens.

Views Graph menu

Selecting the Graph menu opens a screen that allows you set up and see the measurements in a graphical format.

Setting		Description
Graph		View the readings in a graphical representation.
Statistics		Turn the statistics function on or off. You can view statistics results on the graph screen when this function is on.
Window		Fine-tune the output on the graph view screen.
	Position	Set the center point of the graph for buffer data. For example, if the buffer size is 100, a position of 30 % means the 30th reading in the buffer is at the middle point in the plot.
	Zoom	Specify the number of readings that are displayed on the screen.
Y-Axis		Select the data that is plotted on the Y-Axis. You can select voltage, current or both.
I Auto Adjust		Enable or disable the automatic adjustment of the current scale and offset of the Y-Axis. When automatic adjustment is disabled, you can adjust the scale and offset manually.
V Auto Adjust		Enable or disable the automatic adjustment of the voltage scale and offset of the Y-Axis. When automatic adjustment is disabled, you can adjust the scale and offset manually.
I Manual Adjust		Manually adjust the current scale and offset of the Y-Axis. <ul style="list-style-type: none"> • Scale is the volts/division, or amps/division. A plot has 7 divisions. • Offset is the value of the lowest division displayed
V Manual Adjust		Manually adjust the voltage scale and offset of the Y-Axis. <ul style="list-style-type: none"> • Scale is the volts/division, or amps/division. A plot has 7 divisions. • Offset is the value of the lowest division displayed.

Views Data menu

This menu allows you to view data in the selected reading buffer.

Setting	Description
Data Sheet	Show the data in the reading buffer.
Statistics	Turn on or off the statistics function. You can view statistics results in the data sheet when this function is on.

Trigger menu

This menu allow you to configure triggering operations from the 2281S-20-6 front panel. The following topics describe the settings that are available on these interactive screens.

Trigger Configure menu

This menu allows you to configure the triggering operations. The 2281S-20-6 has two trigger layers: Arm layer and trigger layer.

Setting	Description
List type	Show the list type when the list function is enabled. The 2281S-20-6 supports the following types of lists: <ul style="list-style-type: none"> • Step: One trigger signal will output one list step. • Sweep: One trigger signal will output the entire list. • Disable: List is disabled
Idle	<ul style="list-style-type: none"> • Cont:On: Continuous trigger is on. • Cont:Off: Continuous trigger is off and no readings are taken.
Arm Source	Select the control source for the arm layer.
Arm Count	Set the number of times to repeat the arm event.
Trigger Source	Select the control source for the trigger layer.
Trigger Count	Set the number of times to repeat the trigger event.
Reset Configuration	Reset the trigger settings to factory default, including trigger source and trigger count.
Sample Count	Set the number of measurements to be performed when a measurement is requested.

Trigger Digital In/Out menu

This menu allows you to configure the mode for each digital I/O line. The 2281S-20-6 has 6 digital I/O lines (line 1 to line 6). For details, refer to [Digital I/O](#) (on page 3-19).

Setting	Description
Line 1	Specify one of the following line modes for digital I/O line 1: <ul style="list-style-type: none"> • Trigger In • Output HI • Output LO • Manual In
Line 2	Specify one of the following line modes for digital I/O line 2: <ul style="list-style-type: none"> • Meter Out • Output HI • Output LO • Manual In
Line 3	Specify one of the following line modes for digital I/O line 3: <ul style="list-style-type: none"> • Fault Out • Output HI • Output LO • Manual In
Line 4	Specify one of the following line modes for digital I/O line 4 to line 6: <ul style="list-style-type: none"> • Output HI • Output LO • Manual In
Line 5	
Line 6	

Level Trigger menu

This menu allows you to configure a triggering condition to start to log the data in the data buffer during the test. You can set the triggering point based on the voltage or current. The triggering condition is based on whether the current or voltage rises or falls.

Setting	Description
Voltage	<ul style="list-style-type: none"> If you set this as On, the triggering point is based on the value of voltage. If you set this as Off, the triggering point is not based on the value of voltage.
Current	<ul style="list-style-type: none"> If you set this as On, the triggering point is based on the value of current. If you set this as Off, the triggering point is not based on the value of current.
Voltage Level	Set the value of the voltage that will trigger the data logging in the data buffer.
Current Level	Set the value of the current that will trigger the data logging in the data buffer.
Voltage Direction	<ul style="list-style-type: none"> If you set this as Rise, the trigger will be activated when the voltage rises above the triggering point. If you set this as Fall, the trigger will be activated when the voltage falls below the triggering point.
Current Direction	<ul style="list-style-type: none"> If you set this as Rise, the trigger will be activated when the current rises above the triggering point. If you set this as Fall, the trigger will be activated when the current falls below the triggering point.
Offset	Set how many points will be saved before the trigger is activated.

NOTE

When the level trigger function is enabled, it clears all the data in the buffer and the buffer mode is set to Always.

When the level trigger is activated, it clears the data in the buffer (except the points set by the Offset parameter) and the buffer mode is set to Next.

You can also use the following SCPI commands to configure the level trigger:

```
:TRACe[n]:TRIGger:VOLTage:STATE
:TRACe[n]:TRIGger:VOLTage[:LEVel]
:TRACe[n]:TRIGger:VOLTage:DIRection
:TRACe[n]:TRIGger:CURRent:STATE
:TRACe[n]:TRIGger:CURRent[:LEVel]
:TRACe[n]:TRIGger:CURRent:DIRection
:TRACe[n]:TRIGger:OFFSet
```

In addition, you can query whether any level trigger has activated by using the SCPI command:

```
:TRACe[n]:TRIGger:OCCUR?
```

System menu

The menus under System in the main menu allow you to configure general instrument settings from the 2281S-20-6 front panel. Among these settings are the event log, communications, beeper and key clicks, backlight brightness and timer, time and date, system access level, password, and reading format backlight, time, and password settings<AIT_DELETE_END>.

The following topics describe the settings that are available on these interactive screens.

System Save/Recall menu

This menu allows you to save the present settings and any source or measure configuration lists to internal memory or external USB flash drive. You can also run a setup from internal memory or USB flash drive.

Setting	Description
Save	Save the present instrument settings as a user-saved setup. The 2281S-20-6 supports up to five setups.
Recall	Return the instrument to the specified setup.
Auto Load Setup1	<ul style="list-style-type: none"> If you choose On, the instrument will load setup1 after it is powered on. If you choose Off, the instrument will not load setup1 after it is powered on.

System Settings menu

This menu contains general instrument settings.

Communication settings

This menu allows you to configure GPIB, LAN, and USB communications settings. First move focus to the **Communication** button and press the **ENTER** key. You can select each interface by moving focus to the **Interface** button and pressing the **ENTER** key.

GPIB settings	Description
Address	The default GPIB address is 5. You can set the address to any address from 1 to 30 if it is unique in the system. This address cannot conflict with an address that is assigned to another instrument or to the GPIB controller.
LXI LCI	Reset the LAN configuration

LAN settings*	Description
TCP/IP Mode	Select Manual to manually set the Local IP, gateway, and subnet mask values. Select Auto to set the instrument to automatically obtain an IP address.
Gateway	When TCP/IP Mode is set to Manual, you can see the present gateway address. To change the address, select the button next to Gateway and enter a new address.
IP Address	When TCP/IP Mode is set to Manual, you can see the present local IP address. To change the address, select the button next to Local IP and enter a new address.
Subnet	When TCP/IP Mode is set to Manual, you can see the present subnet mask address. To change the address, select the button next to Subnet and enter a new address.
MAC Address	Read-only text that shows the present MAC address of the instrument.
Apply Settings	To save any changes you made on the LAN tab, select Apply Settings.
* You must select Apply Settings after changing any of the settings on this tab to save your settings.	

There are no settings for the USB interface.

Other system settings

Setting		Description
Key Click		Turn the instrument key-click sound on or off from this menu.
Backlight Timer		You can set the front-panel display to dim after a period of time, or you can set it so that it will never dim.
Backlight Brightness		You can adjust the brightness of the front-panel display. Selecting this setting opens a sliding adjustment scale that adjusts the brightness as a percent of total brightness.
Time and Date		Set the instrument month, day, year, and time from this menu.
Error Beeper		Turn the error beeper on or off.
System Password		This applies to the LXI and Calibration password
Remote		Change remote connection password. You need this password to open the LXI virtual front panel and send SCPI commands.
Calibration		Change calibration settings password. Before calibration, you need to enter the correct password to start calibration.
Reset	System Reset	Selecting this option resets many of the instrument commands to their default values. For more information about what commands get reset, see Reset default values.
	Password Reset	Selecting this option reverts the passwords to their default values.

System Event Log menu

The System Event Log menu allows you to view, save, and clear the event log. The event log entries are error messages, which may indicate that a command was sent incorrectly.

Settings	Description
Export to USB	Saves the event log to a <code>.csv</code> file on the USB flash drive. The filename is <code>eventlog.csv</code> .
Clear Event Log	Clears all entries from the event log.

System Information menu

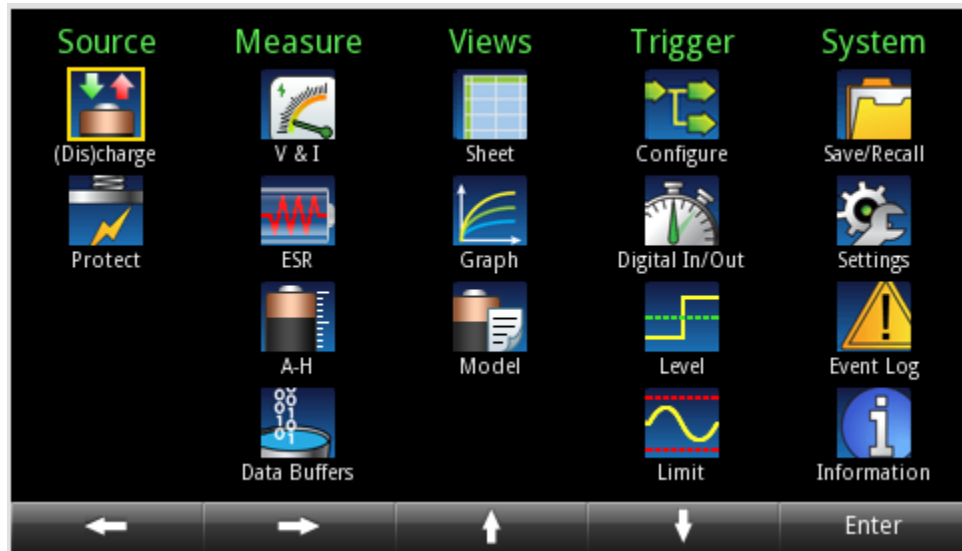
The System Information menu shows the serial number, firmware version, and the calibration adjust date and count. It also allows you to upgrade the firmware and calibrate the instrument.

Demo		When you select Demo mode, you can choose List Mode or Pulse .
Upgrade		Selecting this option initiates a firmware upgrade from a file on a USB flash drive.
	New	Update the firmware to the latest version. During the upgrade process, the instrument verifies that the version you are loading is newer than what is on the instrument. If the version is older or at the same revision level, no changes are made.
	Previous	Selecting this option returns the Series 2281 to a previous version of the firmware from a file on a USB flash drive. When you return to a previous version, the instrument verifies that the version you are loading is earlier than what is on the instrument. If there are several versions on the USB flash drive that are older than what is on the instrument, the newest one is selected.
Calibration		Start to calibrate the instrument.

Battery test menu overview

To access the main menu for the battery test function, press the **MENU** key on the 2281S-20-6 front panel when you are in the battery test home screen. The organization of the main menu is shown in the figure below.

Figure 22: Battery test main menu



The main menu is organized into submenus, which are labeled in green across the top of the display. The icons in each column open interactive screens.

Source menu for battery test

The menus organized under Source in the main menu allow you to configure the settings for the battery test from the 2281S-20-6 front panel. The following topics describe the settings that are available on these interactive screens.

(Dis)charge menu

You can change the following settings by pressing the **MENU** key, moving focus to the **(Dis)charge** icon, and pressing the **ENTER** key.

Setting	Description
V-Set	Configure the target voltage value for the charging and discharging using the numerical keys, soft keys, and navigation control.
Charge limit	Configure the maximum current value during charging using the numerical keys, soft keys, and navigation control.
End condition	Configure the threshold current value for stopping the battery charging and discharging, using the numerical keys, soft keys, and navigation control.
Discharge limit	Nonconfigurable maximum current value during discharging, normally around 1 A

Protect menu

This menu allows you to configure the protection settings.

Setting	Description
Overvoltage Protection	Set the overvoltage protection limit of the source output to restrict the maximum voltage level that the instrument can source.
Overcurrent Protection	Set the overcurrent protection limit of the source output to restrict the maximum current level that the instrument can source.
Maximum Voltage	Set the maximum voltage that can be set. This influences the voltage setting range.

Measure menu for battery test

The menus organized under Measure in the main menu for battery test allow you to select, configure, and perform measure operations from the 2281S-20-6 front panel. The following topics describe the settings of measure menu that are available on these interactive screens.

V & I menu

This menu contains settings for the V & I measurement. You can only set the sampling interval. The line frequency is also shown here.

Setting	Description
Sample Interval	Configure the measurement time. The range of value is: <ul style="list-style-type: none"> • 8.00000e-5 to 0.48 s (if the instrument is supplied by 50 Hz power) • 6.66667e-5 to 0.5 s (if the instrument is supplied by 60 Hz power)

ESR menu

You can change the following settings by pressing the **MENU** key, moving focus to the **ESR** icon, and pressing the **ENTER** key.

Setting	Description
VOC	The displayed value of the open-circuit voltage of the battery under test.
ESR	The displayed value of the battery resistance.
ESR Delay	Configure the time for the power supply to stay in the high resistance state before it resumes the test.
Measure	Get the Voc and ESR value of the battery displayed on this page.

A-H menu

You can change the following settings by pressing the **MENU** key, moving focus to the **A-H** icon, and pressing the **ENTER** key.

Setting	Description
V-Full	Configure the end voltage for charging.
End condition	Configure the end current for charging.
ESR Interval	Configure the ESR sampling frequency.
Source I-Limit	Configure the maximum charging current.

Data buffers menu

You can change the following settings by pressing the **MENU** key, moving focus to the **Data Buffers** icon, and pressing the **Enter** key.

Setting	Description
Size	It displays how many points can be saved in the buffer. For 2281S-20-6, it is 2500 points.
Export to USB	Configures the settings for exporting data saved in the buffer to a USB.
Clear Buffer	Clear the data in the buffer.

Views menu for battery test

The menus organized under View in the main menu allow you to view the data plot, sheet, and statistics results on the 2281S-20-6 front panel. The following topics describe the settings that are available on these interactive screens.

Sheet menu

You can access this menu by pressing the **MENU** key, moving focus to the **Sheet** icon, and pressing the **Enter** key. On the page displayed, you can view the raw data in the buffer, including voltage, current, equivalent resistance, and capacity.

NOTE

You can also access this page by selecting **Data Sheet** in the soft key area 2 of the battery test home screen.

Graph menu

You can access this menu by pressing the **MENU** key, moving focus to the **Graph** icon, and pressing the **Enter** key. On the page displayed, you can view the graphic data in the buffer, including voltage, current, equivalent resistance, and capacity in the battery test function, or voltage and current in the battery simulation function. The values are represented in different colors.

There are two ways to display the graph in terms of time:

- Part: Only the data in the buffer (up to 2500 points) are displayed
- Overall: The data of the whole test period are displayed with the waveform compressed

NOTE

You can also access this page by selecting **Graph** in the soft key area 2 of the battery test home screen.

Model menu

You can access this menu by pressing the **MENU** key, moving focus to the **Model** icon, and pressing the **Enter** key. On the page displayed, you can view the model of the battery under test.

Setting	Description
Model	Choose and open a saved model for battery simulation.
Fine/Coarse	Choose the way the battery model is displayed: <ul style="list-style-type: none"> • Fine model, the SOC is displayed in 101 rows by every 1%. • Coarse model, the SOC is displayed in 11 rows by every 10%.
Save	You can edit the battery model and then click Save to store it in the internal memory. You can save up to 9 battery models.

Trigger menu for battery test

This menu allows you to configure triggering operations from the 2281S-20-6 front panel.

Trigger Configure menu

This menu allows you to configure the triggering operations. The 2281S-20-6 has two trigger layers: Arm layer and trigger layer.

Setting	Description
Idle	<ul style="list-style-type: none"> Cont:On: Continuous trigger is on. Cont:Off: Continuous trigger is off and no readings are made.
Arm Source	Displays the control source (nonconfigurable) for the arm layer.
Arm Count	Displays the number of times to repeat the arm event (nonconfigurable).
Trigger Source	Displays the control source (nonconfigurable) for the trigger layer.
Trigger Count	Displays the number of times (nonconfigurable) to repeat the trigger event.
Reset Configuration	Resets the trigger settings to factory default, including trigger source and trigger count.
Sample Count	Sets the number of measurements to be performed when a measurement is requested.

Trigger Digital In/Out menu

This menu allows you to configure the mode for each digital I/O line. The 2281S-20-6 has 6 digital I/O lines (line 1 to line 6). For details, refer to [Digital I/O](#) (on page 3-19).

Setting	Description
Line 1	Specify one of the following line modes for digital I/O line 1: <ul style="list-style-type: none"> Trigger In Output HI Output LO Manual In
Line 2	Specify one of the following line modes for digital I/O line 2: <ul style="list-style-type: none"> Meter Out Output HI Output LO Manual In
Line 3	Specify one of the following line modes for digital I/O line 3: <ul style="list-style-type: none"> Fault Out Output HI Output LO Manual In
Line 4	Specify one of the following line modes for digital I/O line 4 to line 6: <ul style="list-style-type: none"> Output HI Output LO Manual In
Line 5	
Line 6	

Level Trigger menu

For the details of the settings under this submenu, please refer to [Level Trigger menu](#) (on page 2-24).

Trigger limit menu

This menu allows you to configure the voltage limit that triggers the digital I/O pin to output level signal in the battery test function.

Setting	Description
High Voltage	Sets the high voltage (HV) value. When the output voltage reaches this value, the digital I/O pin, which is set as Digital Out and HV action, outputs a level signal.
Low Voltage	Sets the low voltage (LV) value. When the output voltage reaches this value, the digital I/O pin, which is set as Digital Out and LV action, outputs a level signal.

System menu for battery test

This menu allows you to configure general instrument operations from the 2281S-20-6 front panel. The following topics describe the settings that are available on these interactive screens.

Save/Recall menu

This menu allows you to save the present settings and any source or measure configuration lists of all three functions to internal memory or external USB flash drive. You can also run a setup from internal memory or USB flash drive.

Setting	Description
Save	Save the present instrument settings as a user-saved setup. The 2281S-20-6 supports up to five setups.
Recall	Return the instrument to the specified setup.
Auto Load Setup1	<ul style="list-style-type: none"> If you choose On, the instrument will load setup1 after it is powered on. If you choose Off, the instrument will not load setup1 after it is powered on.

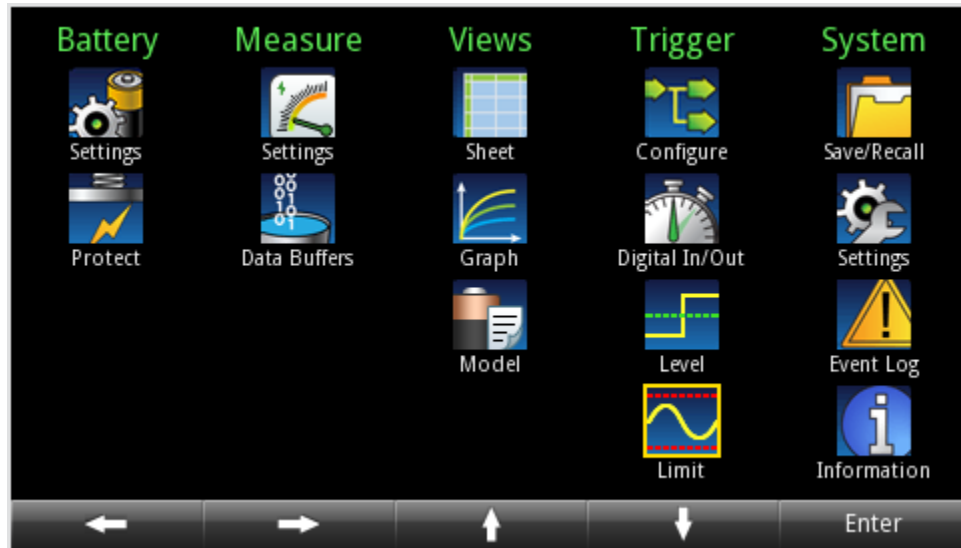
Other submenus

For the details of other submenus, refer to [System Event Log menu](#) (on page 2-26) and [System Information menu](#) (on page 2-27).

Battery simulator menu overview

To access the main menu for the battery simulator function, press the **MENU** key on the 2281S-20-6 front panel when you are in the battery simulator home screen. The organization of the main menu is shown in the figure below.

Figure 23: Battery simulator main menu



The main menu is organized into submenus, which are labeled in green across the top of the display. The icons in each column open interactive screens.

Battery menu

The menus organized under Battery in the main menu allow you to configure the settings for the battery simulation from the 2281S-20-6 front panel. The following topics describe the settings that are available on these interactive screens.

Settings menu

You can change the following settings by pressing the **MENU** key, moving focus to the **Settings** icon under **Battery** menu, and pressing the **Enter** key.

Setting	Description
Model	Choose a battery model from the internal memory to run the battery simulation. The name of the battery models end with .mdl. Up to 9 models can be saved in the internal memory.
Method	Choose the method of the battery simulation. If you choose Dynamic , the Voc and SOC of the simulated battery will change as the simulation charges and discharges, like a real battery. If you choose Static , the Voc and SOC of the simulated battery will stay the same.
VOC	Configure the initial battery voltage.
SOC	Configure the initial battery capacity in percentage.
Full V	Configure the end voltage value for charging. The default value is the maximum Voc value in the battery model
Empty V	Configure the end voltage value for discharging. The default value is minimum Voc value in the battery model
Resistance Offset	Set the resistance offset, which means increase the resistance value to offset the resistance caused by connecting wires and other testing equipment.

Protect menu

This menu allows you to configure the protection settings.

Setting	Description
Overvoltage Protection	Set the overvoltage protection limit of the source output to restrict the maximum voltage level that the instrument can source.
Overcurrent Protection	Set the overcurrent protection limit of the source output to restrict the maximum current level that the instrument can source.
Maximum Voltage	Set the maximum voltage that can be set. This influences the voltage setting range.

Measure menu for battery simulator

The menus organized under Measure in the main menu allow you to select, configure, and perform measure operations from the 2281S-20-6 front panel. The following topics describe the settings that are available on these interactive screens.

Settings menu

This menu contains settings for the measurement. You can only set the sampling interval. The line frequency is also shown here.

Setting	Description
Sample Interval	Configure the measurement time. The range of value is: <ul style="list-style-type: none"> • 8.00000e-5 to 0.48 s (if the instrument is supplied by 50 Hz power) • 6.66667e-5 to 0.5 s (if the instrument is supplied by 60 Hz power)

Data buffers menu

You can change the following settings by pressing the **MENU** key, moving focus to the **Data Buffers** icon, and pressing the **Enter** key.

Setting	Description
Size	It displays how many points can be saved in the buffer. For 2281S-20-6, it is 2500 points.
Export to USB	Configures the settings for exporting data saved in the buffer to a USB.
Clear Buffer	Clear the data in the buffer.

Views menu for battery simulator

The menus organized under View in the main menu allow you to view the data plot, sheet, and statistics results on the 2281S-20-6 front panel.

For details of the settings that are available under the submenus, refer to [Sheet menu](#) (on page 2-30), [Graph menu](#) (on page 2-30), and [Model menu](#) (on page 2-30).

Trigger menu for battery simulator

This menu allows you to configure triggering operations from the 2281S-20-6 front panel.

For the details of the settings under the submenus, please refer to [Trigger Configure menu](#) (on page 2-22), [Trigger Digital In/Out menu](#) (on page 2-23), and [Level Trigger menu](#) (on page 2-24).

Trigger Configure menu

This menu allows you to configure the triggering operations. The 2281S-20-6 has two trigger layers: Arm layer and trigger layer.

Setting	Description
Idle	<ul style="list-style-type: none"> Cont:On: Continuous trigger is on. Cont:Off: Continuous trigger is off and no readings are made.
Arm Source	Displays the control source (nonconfigurable) for the arm layer.
Arm Count	Displays the number of times to repeat the arm event (nonconfigurable).
Trigger Source	Displays the control source (nonconfigurable) for the trigger layer.
Trigger Count	Displays the number of times (nonconfigurable) to repeat the trigger event.
Reset Configuration	Resets the trigger settings to factory default, including trigger source and trigger count.
Sample Count	Sets the number of measurements to be performed when a measurement is requested.

Trigger Digital In/Out menu

This menu allows you to configure the mode for each digital I/O line. The 2281S-20-6 has 6 digital I/O lines (line 1 to line 6). For details, refer to [Digital I/O](#) (on page 3-19).

Setting	Description
Line 1	Specify one of the following line modes for digital I/O line 1: <ul style="list-style-type: none"> • Trigger In • Output HI • Output LO • Manual In
Line 2	Specify one of the following line modes for digital I/O line 2: <ul style="list-style-type: none"> • Meter Out • Output HI • Output LO • Manual In
Line 3	Specify one of the following line modes for digital I/O line 3: <ul style="list-style-type: none"> • Fault Out • Output HI • Output LO • Manual In
Line 4	Specify one of the following line modes for digital I/O line 4 to line 6: <ul style="list-style-type: none"> • Output HI • Output LO • Manual In
Line 5	
Line 6	

Level Trigger menu

For the details of the settings under this submenu, please refer to [Level Trigger menu](#) (on page 2-24).

Trigger limit menu

This menu allows you to configure the voltage limit that triggers the digital I/O pin to output level signal in the battery simulation function.

Setting	Description
High Voltage	Sets the high voltage (HV) value. When the output voltage reaches this value, the digital I/O pin, which is set as Digital Out and HV action, outputs a level signal.
Low Voltage	Sets the low voltage (LV) value. When the output voltage reaches this value, the digital I/O pin, which is set as Digital Out and LV action, outputs a level signal.

System menu for battery simulator

This menu allows you to configure general instrument operations from the 2281S-20-6 front panel.

For the details of the settings under the submenus, please refer to [Save/Recall menu](#) (on page 2-32), [System Event Log menu](#) (on page 2-26), and [System Information menu](#) (on page 2-27).

Adjusting the backlight brightness and timer

You can adjust the brightness of the 2281S-20-6 display from the front panel or over a remote interface. You can also set the backlight to dim after a specified period of time has passed with no front-panel activity (available from the front-panel display only). The backlight settings are not affected by reset.

NOTE

Screen life is affected by how long the screen is on at full brightness. The higher the brightness setting and the longer the screen is bright, the shorter the screen life.

To adjust the backlight brightness from the front panel:

1. Press the **MENU** key.
2. Under System, select **Settings**.
3. Highlight the button next to **Backlight Brightness** and press **ENTER**. The Backlight Brightness dialog box opens.
4. Enter a value and press **ENTER**.

To set the backlight timer from the front panel:

1. Press the **MENU** key.
2. Under System, select **Settings**.
3. Select the button next to Backlight Timer and press **ENTER**. The Backlight Timer dialog box opens.
4. Select a timer setting.

To adjust the brightness using the SCPI remote interface:

Send the following command:

```
:DISPlay:BRIGhtness <brightness>
```

Where <brightness> is from 1 to 100. For example, 75 represents 75 % brightness and 100 represents full brightness.

Installing the system

This section contains information on how to install your 2281S-20-6 power supply.

Handle and bumpers

The 2281S-20-6 has a handle and front and rear bumpers for using the instrument on a benchtop. The handle rotates so that you can swing it below the bottom surface of the instrument to tilt the instrument up for easier front-panel viewing, or to carry the instrument from one location to another.

Removing the handle and bumpers

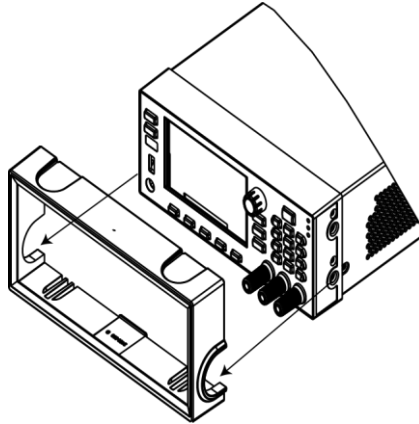
You can remove handle and bumpers on the 2281S-20-6 if you want to mount the instrument in a rack.

NOTE

If you remove the handle and bumpers, be sure to store them for future benchtop use.

To remove the bumpers:

1. Swivel the handle to a position above or below the instrument so that it will not interfere with the removal of the front bumper.
2. Grasp the front bumper on each side of the 2281S-20-6 and gently pull it toward you until the bumper comes off of the instrument.

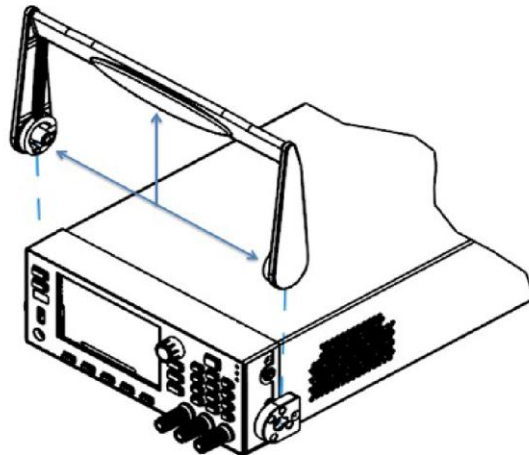
Figure 24: Removing the front bumper**NOTE**

Remove all connections to the rear panel of the 2281S-20-6 before removing the rear bumper.

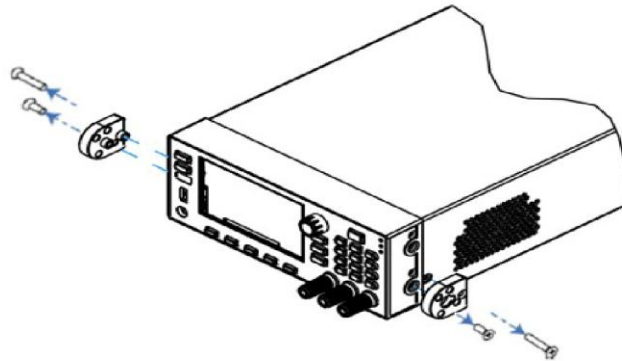
3. To remove the rear bumper, repeat the procedure in step 2.

To remove the handle assembly:

1. Grasp the sides of the handle near where it attaches to the instrument on both sides and gently pull the handle ends apart to widen the handle as you slide it over the instrument case.

Figure 25: Removing the handle

2. Using a Phillips screwdriver, loosen and remove the two screws holding the handle-mount assembly to one side of the 2281S-20-6. The handle-mount assembly will fall away from the instrument chassis when the screws are removed.

Figure 26: Removing the handle-mount assembly

3. Repeat step 2 on the other side of the 2281S-20-6.
4. Store the handle-mount assembly, screws, and handle together for future use.

Carrying or lifting the instrument

If you move the power supply, refer to the following correct methods.

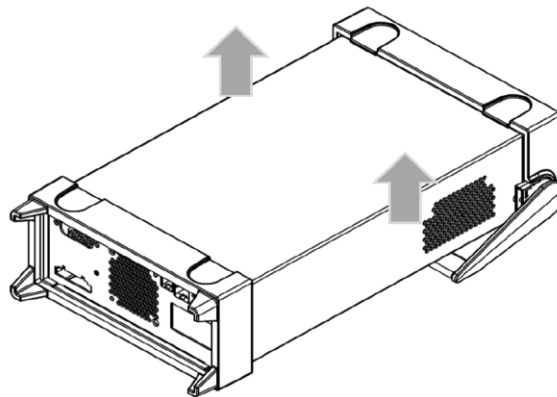
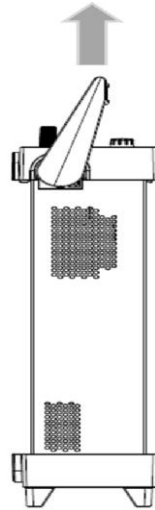
Figure 27: Carry the instrument without handle

Figure 28: Lift the instrument with handle

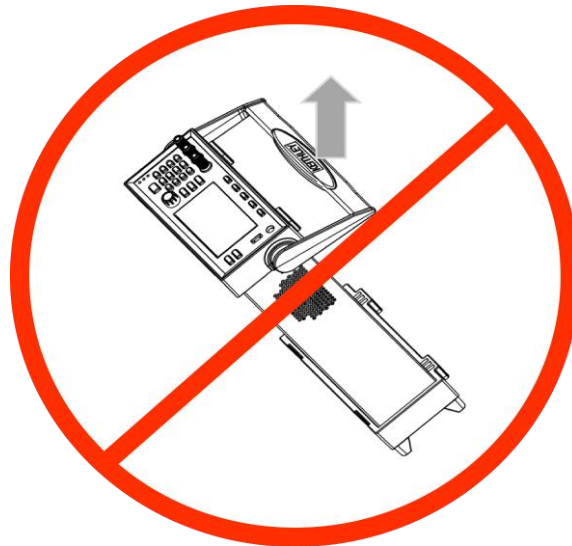


! CAUTION

Do not carry or maneuver instrument from side portion of the handle. The following operations may damage the handle and instrument.

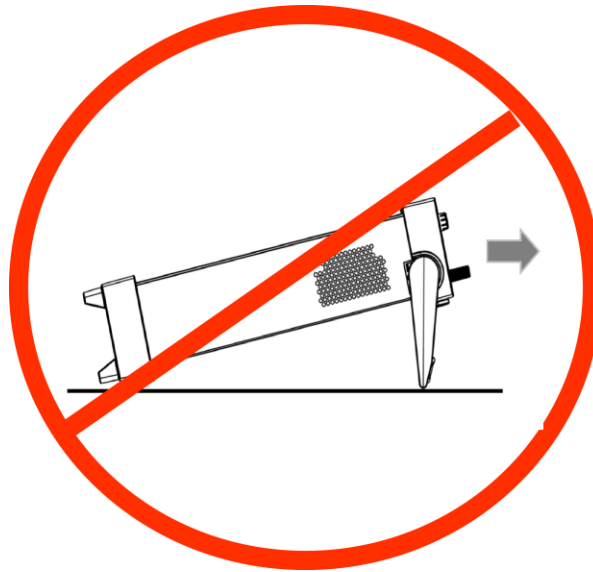
Do not lift the instrument while the handle is below the bottom surface.

Figure 29: Wrong operation 1



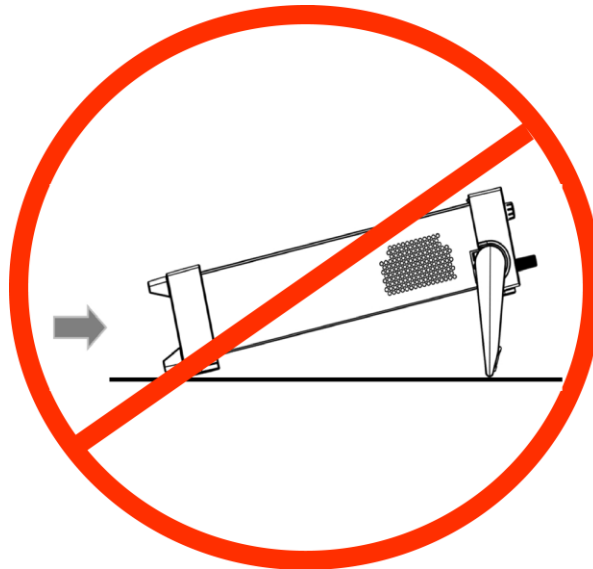
Do not pull the instrument from the front panel while the instrument is standing on the handle.

Figure 30: Wrong operation 2



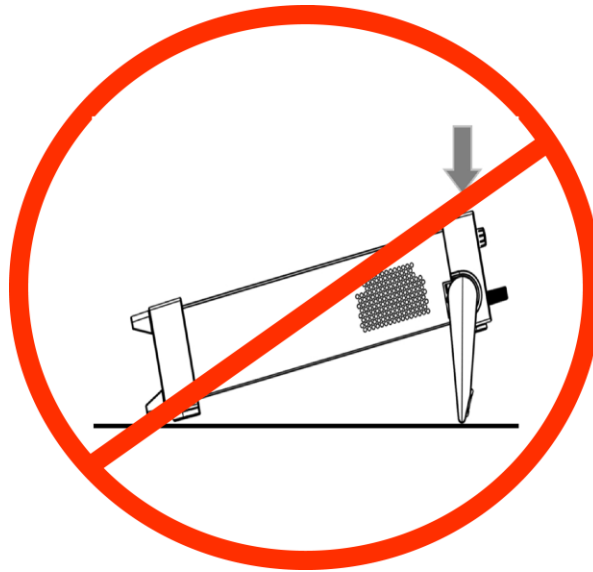
Do not push the instrument from the rear panel while the instrument is standing on the handle.

Figure 31: Wrong operation 3



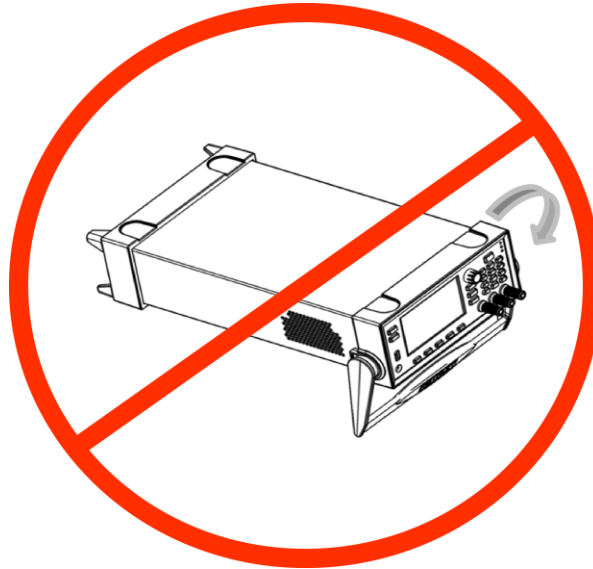
Do not press the front bumper while the instrument is standing on the handle.

Figure 32: Wrong operation 4



Do not rotate the instrument while the instrument is standing on the handle.

Figure 33: Wrong operation 5



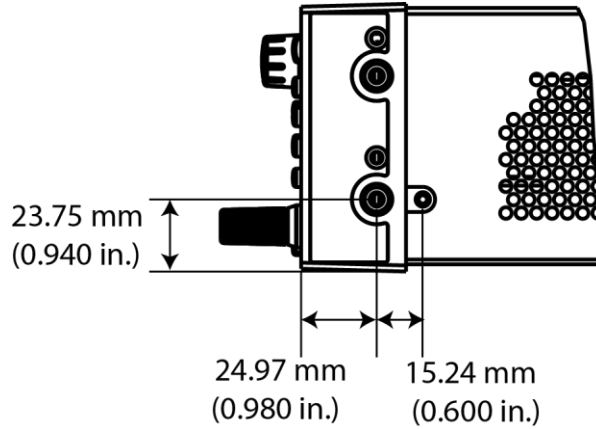
Dimensions

The following figures show the mounting screw locations and the dimensions of the instrument with and without the handle and bumpers.

The instrument weighs 10.80 kg (23.83 lb) with the bumpers and handle and 10.40 kg (22.95 lb) without them.

The following figure shows the mounting screw locations and dimensions. Mounting screws must be #6-32 with a maximum screw length of 11.13 mm (0.438 in.). The dimensions shown are typical for both sides of the instrument.

Figure 34: 2281S-20-6 mounting screw locations and dimensions



The following figures show the dimensions when the handle and bumpers are installed.

Figure 35: 2281S-20-6 front and rear panel dimensions with handle and bumpers

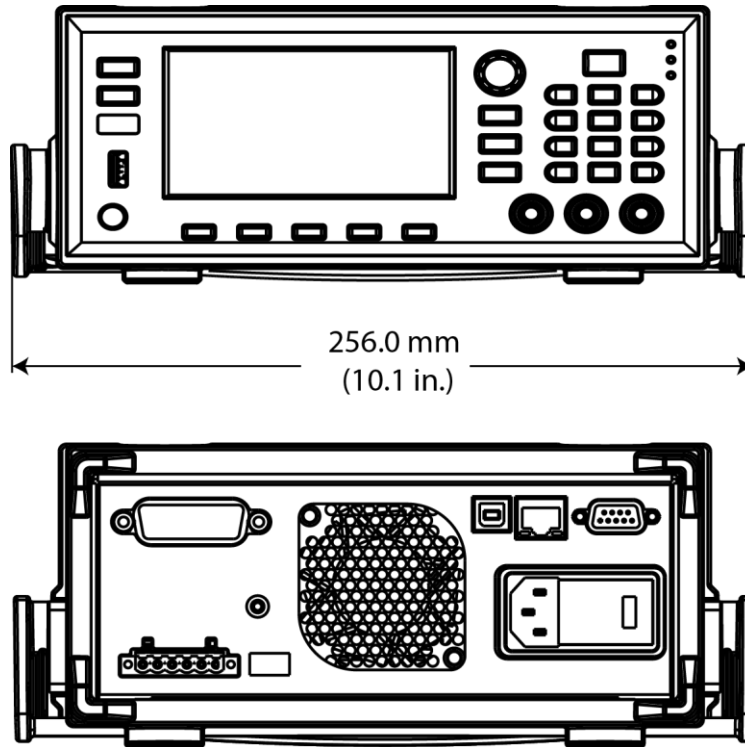
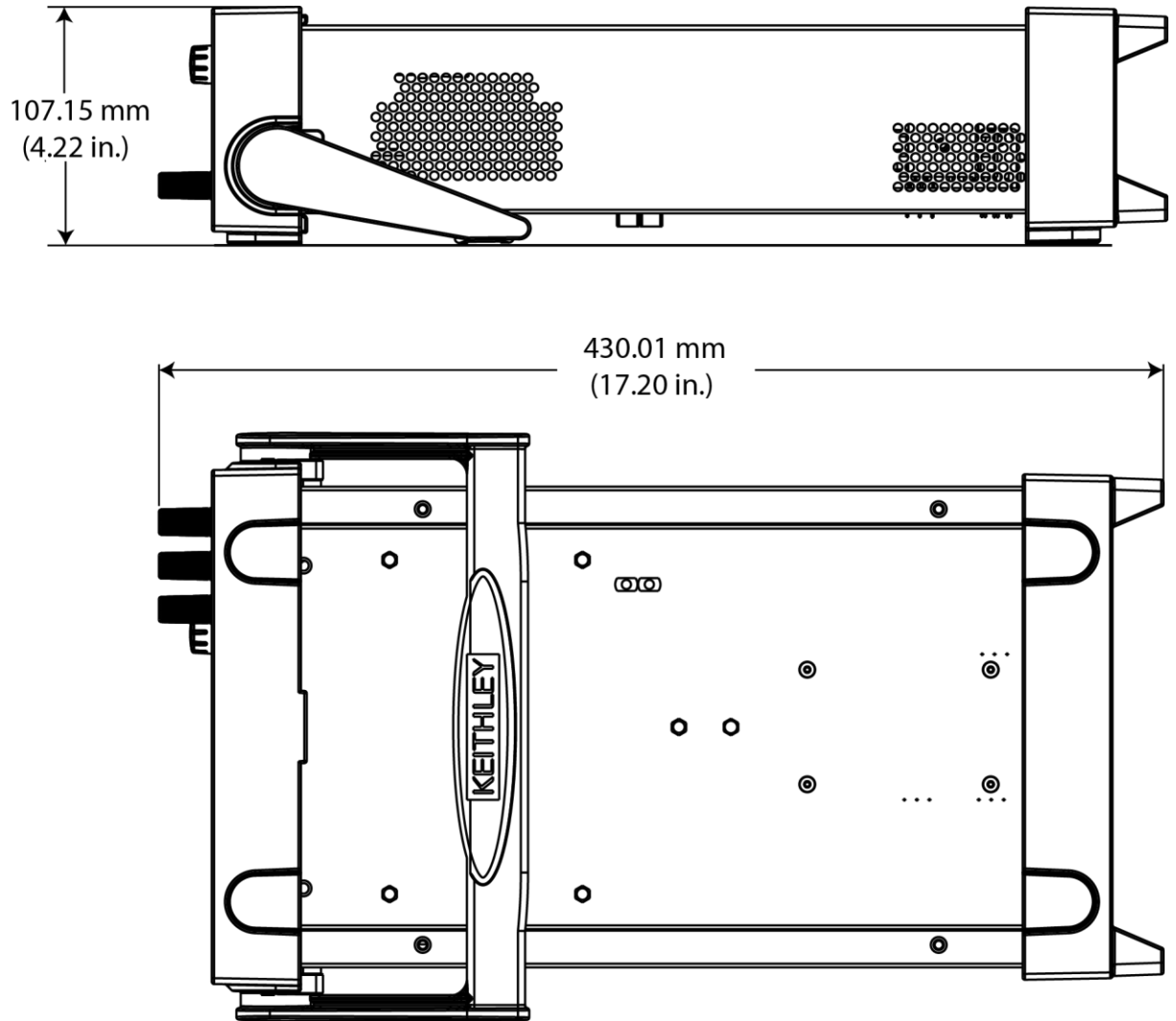


Figure 36: 2281S-20-6 top and side dimensions with handle and bumpers



The following figures show the dimensions when the handle and bumpers have been removed.

Figure 37: 2281S-20-6 front and rear panel dimensions with handle and bumpers removed

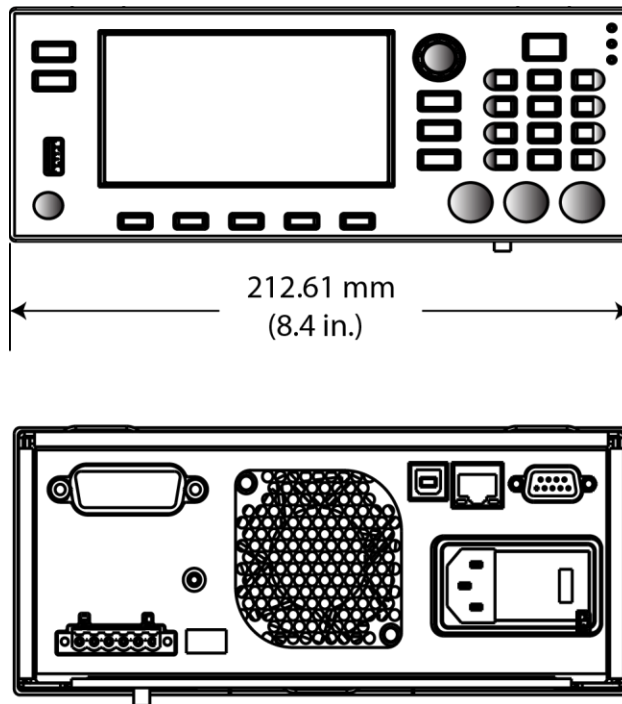
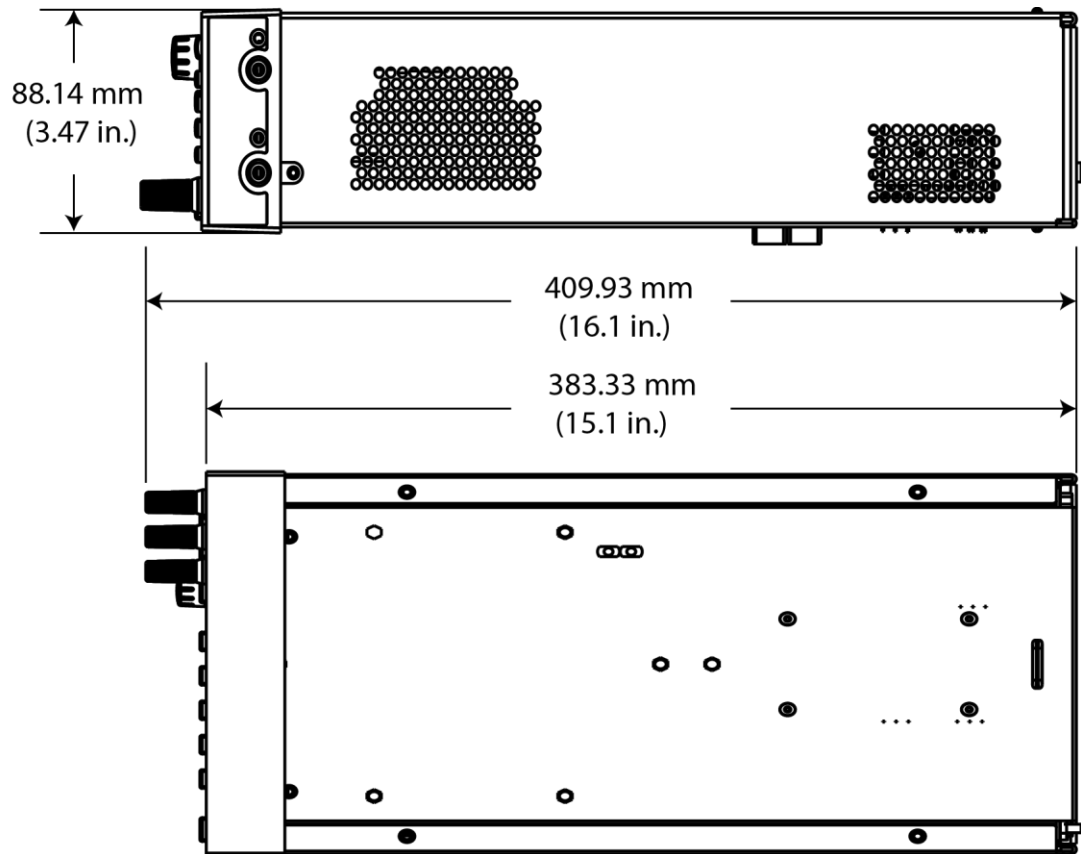


Figure 38: 2281S-20-6 top and side dimensions with handle and bumpers removed



Power the instrument on and off

Follow the procedure below to connect the 2281S-20-6 to line power and turn on the instrument. The 2281S-20-6 operates on four ranges: 100 V, 120 V, 220 V or 240 V at a frequency of 50 Hz or 60 Hz. You need to select the line voltage and frequency on the rear panel. Make sure the line voltage setting is compatible with the line voltage in your area.

The 2281S-20-6 must be turned on and allowed to warm up for at least one hour to achieve rated accuracies.

⚠ WARNING

The power cord supplied with the Model 2281S-20-6 contains a separate protective earth (safety ground) wire for use with grounded outlets. When proper connections are made, the instrument chassis is connected to power-line ground through the ground wire in the power cord. In addition, a redundant protective earth connection is provided through a screw on the rear panel. This terminal should be connected to a known protective earth. In the event of a failure, not using a properly grounded protective earth and grounded outlet may result in personal injury or death due to electric shock.

Do not replace detachable mains supply cords with inadequately rated cords. Failure to use properly rated cords may result in personal injury or death due to electric shock.

⚠ CAUTION

Operating the instrument on an incorrect line voltage may cause damage to the instrument, possibly voiding the warranty.

Figure 39: 2281S-20-6 rear panel



To connect the power cord:

1. Make sure that the front panel POWER switch is in the off (O) position.
2. Properly set the 100 V/120 V or 220 V/240 V selector switch located on the rear panel.
3. Connect the female end of the supplied power cord to the AC receptacle on the rear panel.
4. Connect the other end of the power cord to a grounded AC outlet.

To turn a Model 2281S-20-6 on and off:

1. Disconnect any devices under test (DUTs) from the 2281S-20-6 before turning the instrument on.
2. To turn your instrument on, press the front-panel **POWER** switch to place it in the on (I) position. A status bar is displayed as the instrument powers up. The Home screen is displayed when power up is complete.
3. To turn your instrument off, press the front-panel **POWER** switch to place it in the off (O) position.

Turning the 2281S-20-6 output on

You can turn the 2281S-20-6 output on from the front panel or by sending remote commands.

To turn the output on using the front panel:

Press the **OUTPUT** switch. The instrument is in the output-on state when the switch is illuminated. The instrument is in the output-off state when the switch is not illuminated.

💡 Quick Tip

You can also turn on the output from the Source Setting screen. Select the button next to **Output** and press the **State** soft key. The output state screen is displayed. You can enable the output by pressing the **On** soft key.

To turn the output on using SCPI commands:

```
:OUTPut:STATe ON
```

NOTE

When you are using a remote interface to control the instrument and the output is turned off, pressing the OUTPUT switch cannot turn the output on. However, if the output is turned on, you can press the OUTPUT switch to turn the output off.

Turning the 2281S-20-6 output off

WARNING

Turning the 2281S-20-6 output off does not place the instrument in a safe state.

Hazardous voltages may be present on all output and guard terminals. To prevent electrical shock that could cause injury or death, never make or break connections to the 2281S-20-6 while the instrument is powered on. Turn off the equipment from the front panel or disconnect the main power cord from the rear of the 2281S-20-6 before handling cables. Putting the equipment into an output-off state does not guarantee that the outputs are powered off if a hardware or software fault occurs.

Using the front panel:

Press the **OUTPUT** switch. The instrument is in the output-on state when the switch is illuminated. The instrument is in the output-off state when the switch is not illuminated.

Quick Tip

You can also turn off the output from the Source Setting screen. Select the button next to **Output** and press the **State** soft key. The output state screen is displayed. You can turn off the output by pressing the **Off** soft key.

Using SCPI commands:

To turn the output off, send the command:

```
:OUTPut[:STATe] OFF
```

Disable the 2281S-20-6 output

You can disable the 2281S-20-6 output from the front panel and by sending remote commands. If disabled, pressing the **OUTPUT** switch on the front panel does not turn on the output.

Using the front panel:

1. From the Home screen, press **MENU**.
2. Under Source, select **Settings**.
3. Select the button next to **Output** and press **Enter**. The Output window is displayed.
4. Select **Status**. The Status window is displayed.
5. Select the check box below **Disable**.

Using SCPI commands:

To disable the output, send the command:

```
:OUTPut[:STATe] DISable
```

Test connections

You can use either the front-panel or rear-panel terminals to make connections to the device under test (DUT). You must use either the front or rear terminals. You cannot use connections to both the front panel and rear panel for the same test setup; you must choose one or the other.

⚠ WARNING

Hazardous voltages may be present on all output and guard terminals. To prevent electrical shock that could cause injury or death, never make or break connections to the Model 2281S-20-6 while output is on.

To prevent electric shock, test connections must be configured such that the user cannot come in contact with conductors or any device under test (DUT) that is in contact with the conductors. It is good practice to disconnect DUTs from the instrument before powering the instrument. Safe installation requires proper shields, barriers, and grounding to prevent contact with conductors.

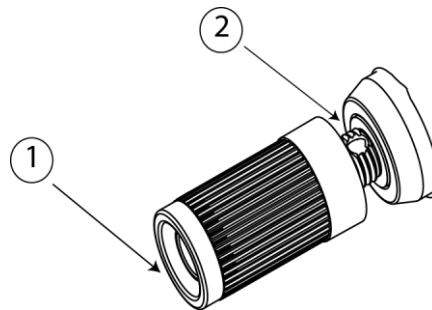
The basic connection configurations for the 2281S-20-6 include:

- Two-wire sense connection
- Four-wire remote sense connection

Front-panel connector

Front-panel connectors are available to connect load wires for bench operation. A chassis ground binding post is also provided on the front panel.

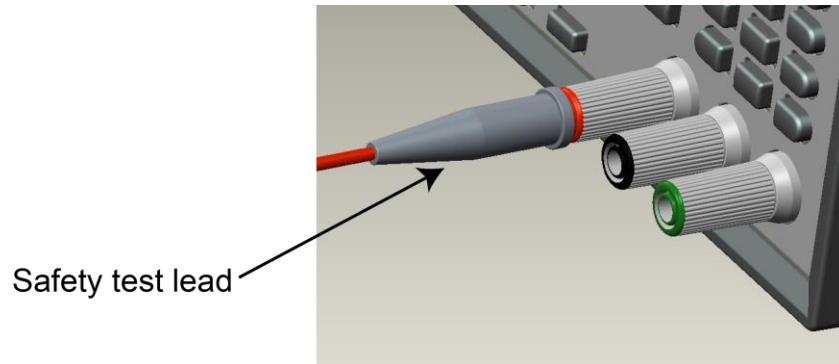
Figure 40: Front-panel binding post



There are two locations on the binding post to connect the wire. See the picture above. You can use one of the methods below to connect the outputs from the front panel:

- Insert standard banana plugs into the front connectors as shown in location 1.
- Insert safety test leads into the front connectors as shown in location 1. For details, see the following figure.
- Insert the wires into the hole as shown in location 2, and fasten the wires by hand-tightening the binding posts. The wire size should be from American wire gage (AWG) 20 to AWG 12.

Figure 41: Safety test lead connection



⚠ WARNING

The wire must be heavy enough not to overheat while carrying the short-circuit output current of the unit. Please meet the wiring requirements described above. Make sure the wire you use is enclosed inside a safety cover.

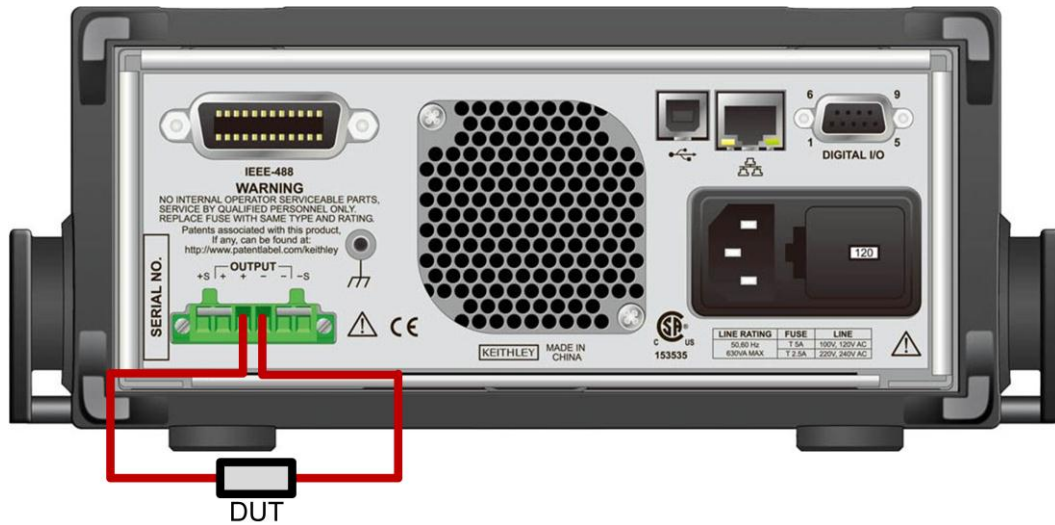
Rear-panel output mating connector

Available connections on the rear output mating connector include the output high (+), output low (-), sense high (+), and sense low (-) terminals. The rear output terminals accept wire sizes from AWG 20 to AWG 12.

Two-wire local sense connection

You can connect device to the instrument by two-wire sense connection as shown in the following figure.

Figure 42: Two-wire connection



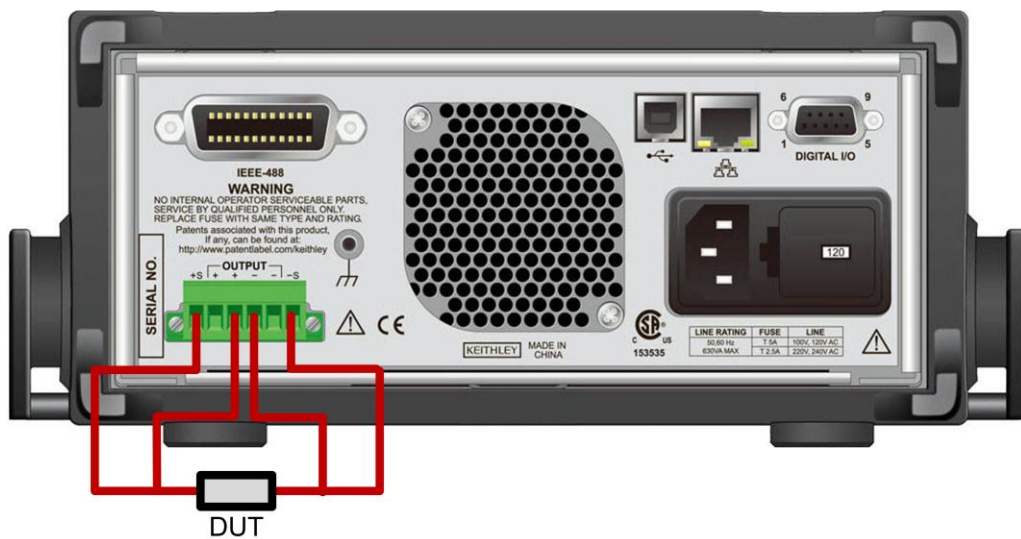
If you adopt two-wire sense connection, you can use the offset function of 2281S-32-6 to cancel out the wire resistance. For details, refer to [Relative offset](#) (on page 4-12).

Four-wire sense connection

Using four-wire remote sensing connections ensures that the programmed voltage is applied to the load and compensates for the voltage drop in the leads between the power supply and the load. The maximum voltage drop is 1 V/lead.

As shipped, the sense terminals are connected to the output terminals by shorting jumpers. Before connecting the wire, make sure the shorting jumpers have been removed. When you connect the power supply for remote sensing, the overprotection (OVP) circuit senses the voltage at the sensing points (load) and not the output terminals.

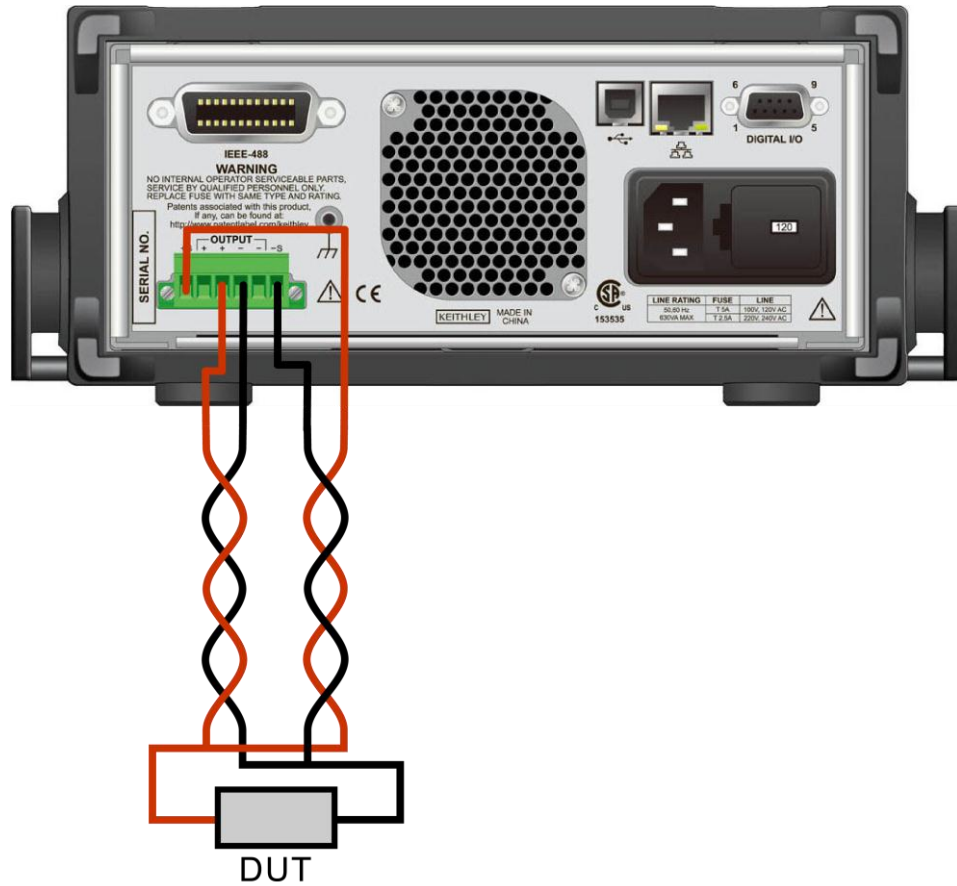
Figure 43: Four-wire (remote sensing) DUT connection to rear panel



NOTE

To reduce the environmental noise, load wires and sense wires must be twisted. For more information, refer to the following figure.

Figure 44: Four-wire connection with twisted-pair wires



⚠ CAUTION

Make sure you make the connections correctly. Incorrect connections between output and sense terminals will result in a serious error and may damage the device under test (DUT). For more information, see [Open leads detection](#) (on page 2-53) and [Reverse sense leads](#) (on page 2-54).

Open leads detection

When using four-wire sense connection, a missing connection with Sense HI, Sense LO, Output HI, or Output LO results in inaccurate voltage measurements. The voltage readback shown on the front panel is not equal to the real output voltage. The open leads clamp circuit can limit the output voltage between Output HI and Output LO to less than V_{total} .

$$V_{total} = V_{set} + V_{clamp}$$

Where V_{set} is the voltage setting.

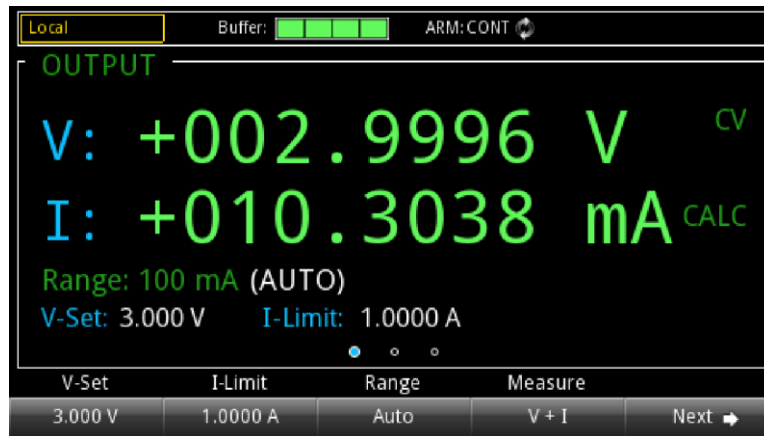
V_{clamp} is introduced from a clamp circuit, typically less than 7 V. Without the clamp circuit, the instrument could output its maximum voltage when the open lead occurs.

The following sections show several test examples when open leads occur.

1. Connect a 300 Ω resistor to the rear-panel mating connector. For details, refer to [Four-wire sense connections](#) (on page 2-51).
2. Set the voltage to 3 V and current limit to 1 A.
3. Turn on the output.

The following figure shows the voltage readback and output voltage when you make a correct four-wire sense connection.

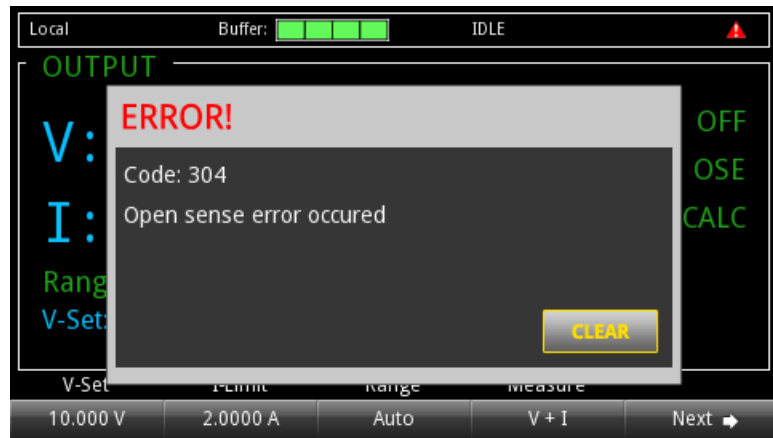
Figure 45: Correct four-wire connections



⚠ CAUTION

When open leads occur, the alert in the following figure is displayed. You must power off the instrument before making any changes on the connections. Otherwise, it may damage the device under test (DUT).

Figure 46: Open lead error



Reverse sense leads

When the following connections occur, the instrument generates a reversed sense leads error.

- Sense HI is connected to Output LO
- Sense HI is connected to Sense LO
- Sense LO is connected to Output HI

When a reverse sense leads error occurs, the instrument:

- Generates an overprotection error message.
- Displays an error dialog box on the screen.
- Turns off the output.
- Resets the voltage setting value and current limit to defaults.
- Sets the digital I/O line 3 to logic high.

Figure 47: Reversed sense leads error



To clear the error, you need to clear the Questionable Instrument Summary Event Register bit and initiate the trigger model using the front panel or SCPI commands. For more information on registers, refer to [Questionable Instrument Summary Event Register](#) (on page D-14).

To clear an overprotection error using the front panel:

When the overprotection error dialog box is displayed, you can press the **ENTER** key to initiate the trigger model.

To clear an overprotection error using SCPI commands:

When an overprotection error occurs, send the following command to clear the register and initiate the trigger model:

```
:OUTPut:PROtection:CLEar
```

Remote communication interfaces

You can choose from one of several communication interfaces to send commands to and receive responses from the 2281S-20-6.

The 2281S-20-6 can be controlled from only one communication interface at a time. The first interface from which it receives a message takes control of the instrument. To remove control from the present interface, send the following command:

```
:SYSTem:COMMunication:ABORt
```

Supported remote interfaces

The 2281S-20-6 supports the following remote interfaces:

- **GPIB:** IEEE-488 instrumentation general purpose interface bus
- **USB:** Type B USB connection
- **Ethernet:** Local area network ethernet communications

GPIB communication

This topic contains information about GPIB standards, bus connections, and primary address selection.

The 2281S-20-6 GPIB interface is IEEE Std 488.1 compliant and supports IEEE Std 488.2 common commands and status model topology.

You can have up to 15 devices connected to a GPIB interface, including the controller. The maximum cable length is the lesser of either:

- The number of devices multiplied by 2 m (6.5 ft)
- 20 m (65.6 ft)

You may see erratic bus operation if you ignore these limits.

Install the GPIB driver software

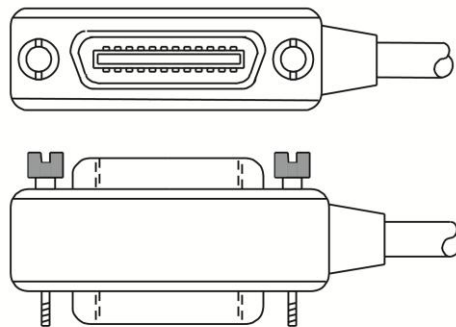
Check the documentation for your GPIB controller for information about where to acquire drivers. Keithley Instruments also recommends that you check the vendor's website for the latest version of drivers or software.

It is important that you install the drivers before you connect the hardware to prevent associating the incorrect driver with the hardware.

Connect GPIB cables to your instrument

To connect an instrument to the GPIB interface, use a cable equipped with standard GPIB connectors, as shown below.

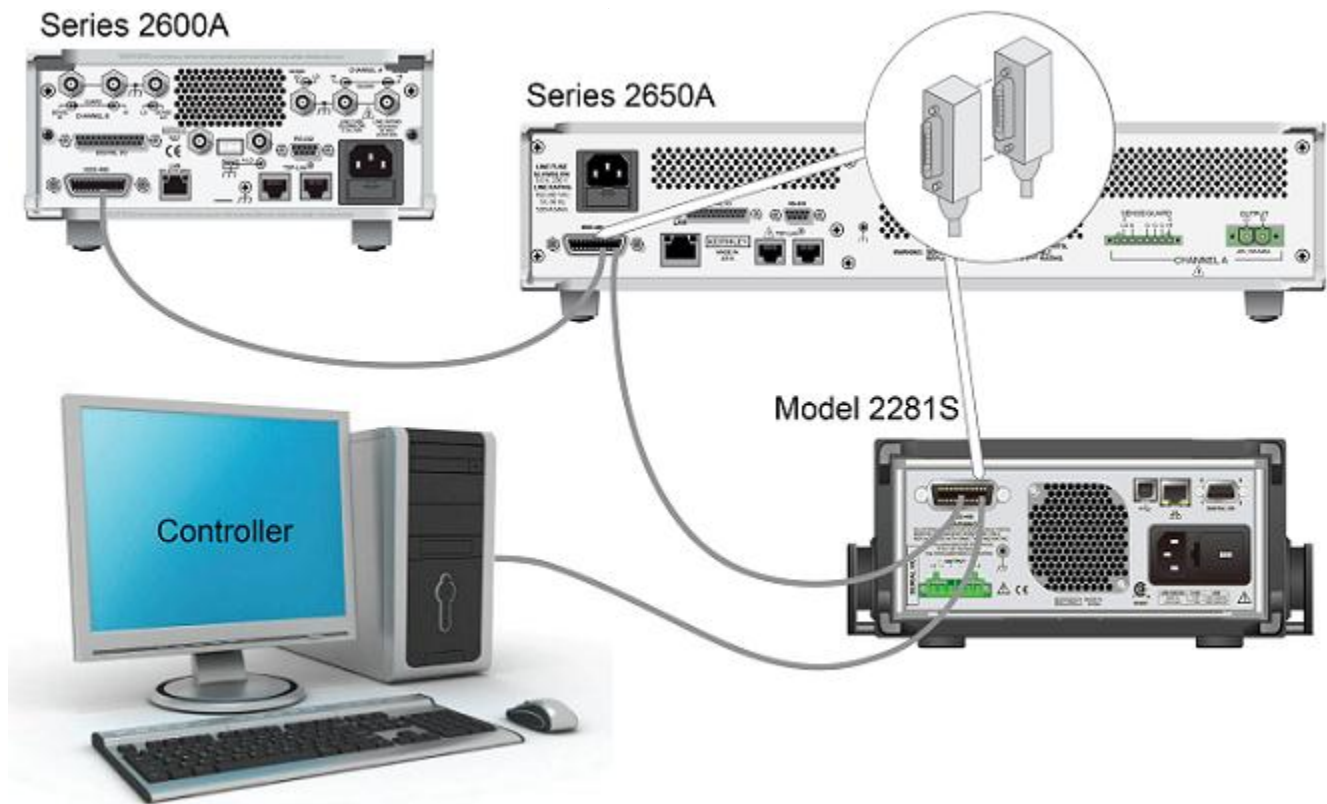
Figure 48: GPIB connector



To allow many parallel connections to one instrument, stack the connectors. Each connector has two screws to ensure that connections remain secure. The figure below shows a typical connection diagram for a test system with multiple instruments.

⚠ CAUTION

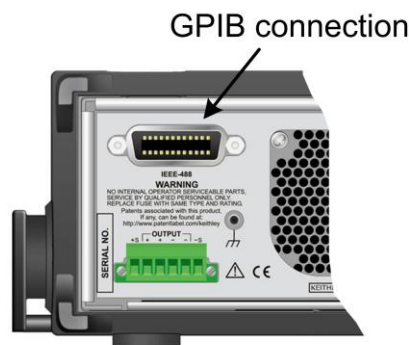
To avoid possible mechanical damage, stack no more than three connectors on any one instrument. To minimize interference caused by electromagnetic radiation, use only shielded GPIB cables. Contact Keithley Instruments for shielded cables.



To connect the instrument to the GPIB:

1. Align the cable connector with the connector on the 2281S-20-6 rear panel. The location of the connector is shown in the following figure.
2. Attach the connector. Tighten the screws securely but do not over-tighten them.

Figure 49: GPIB interface on rear panel



3. Connect any additional connectors from other instruments, as required for your application.
4. Ensure the other end of the cable is properly connected to the controller.

Set the GPIB address

The default GPIB address is 5. You can set the address to any number from 1 to 30 if it is unique in the system. This address cannot conflict with an address that is assigned to another instrument or to the GPIB controller.

Quick Tip

GPIB controllers are usually set to 0 or 21. To be safe, do not configure any instrument to have an address of 21. To change the controller address, see the documentation for the controller.

The address is saved in nonvolatile memory, so it does not change when a reset is done or when the power is turned off and then turned on again.

To set the GPIB address from the front panel:

Press the MENU key.

Under System, select Communication. The SYSTEM COMMUNICATION window opens.

1. Select the **GPIB** interface.
2. Next to Address, select the number. The Set GPIB Address dialog box is displayed.
3. Enter the address.
4. Select **OK**.

NOTE

If you are using a 2281S-20-6 with no front panel, you can set the GPIB address with the SCPI command :SYSTem:GPIB:ADDRess.

LAN communication

The Model 2281S-20-6 includes one Model CA-180-3A cable (LAN crossover cable for LAN communication). However, you can use any standard LAN crossover cable (RJ-45, male-to-male) or straight-through cable to connect your equipment. The instrument automatically senses which cable you have connected.

The following figure shows the location of the LAN connection on the rear panel of the instrument. Connect the LAN cable between this connection and the LAN connector on the computer.

Figure 50: 2281S-20-6 LAN connection



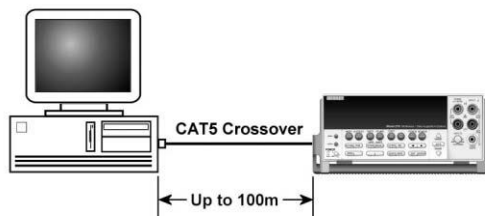
You can connect the instrument to the LAN in a one-to-one, one-to-many, two network card, or enterprise configuration, as described in the following topics.

One-to-one connection

With most instruments, a one-to-one connection is done only when you are connecting a single instrument to a single network interface card.

A one-to-one connection using a network crossover cable connection is similar to a typical RS-232 hookup using a null modem cable. The crossover cable has its receive (RX) and transmit (TX) lines crossed to allow the receive line input to be connected to the transmit line output on the network interfaces.

Figure 51: One-to-one connection with a crossover cable

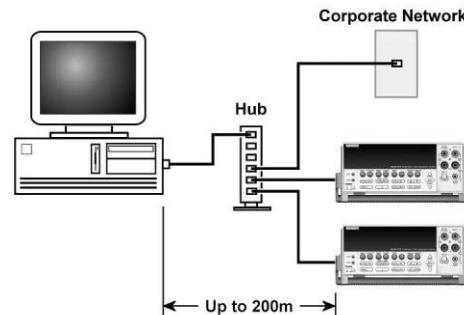


One-to-many connection

With a LAN hub, a single network interface card can be connected to as many instruments as the hub can support. This requires straight-through network (not crossover) cables for hub connections.

The advantage of this method is easy expansion of measurement channels when the test requirements exceed the capacity of a single instrument. With only the instruments connected to the hub, this is an isolated instrumentation network. However, with a corporate network attached to the hub, the instruments become part of the larger network.

Figure 52: One-to-many connection using a network hub or switch

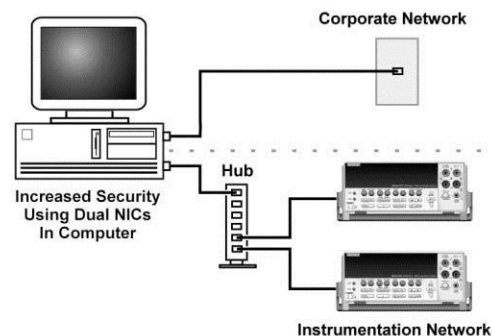


Two network card connection

If you need to connect independent corporate and instrumentation networks, two network interface cards are required in the computer controller. Though the two networks are independent, stations on the corporate network can access the instruments, and the instruments can access the corporate network, using the same computer.

This configuration resembles a GPIB setup in which the computer is connected to a corporate network, but also has a GPIB card in the computer to communicate with instruments.

Figure 53: Two network card connection

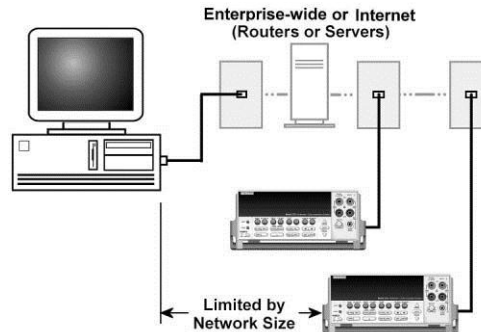


Instrumentation connection to enterprise routers or servers

This connection uses an existing network infrastructure to connect instruments to the computer controller. In this case, you must get the network resources from the network administrator.

Usually, the instruments are kept inside the corporate firewall, but the network administrator can assign resources that allow them to be outside the firewall. This allows instruments to be connected to the Internet using appropriate security methods. Data collection and distribution can be controlled from virtually any location.

Figure 54: Instrumentation connection to enterprise routers or servers



Raw socket connection

All Keithley instruments with LAN connections support raw socket communication. This means that you can connect your computer to the TCP/IP port on the instrument and send and receive commands. A programmer can easily communicate with the instrument using the Winsock API on computers with the Microsoft® Windows® operating system or using the Berkeley Sockets API on Linux® or Apple® computers.

The port number for the raw socket is 5050.

Set up LAN communications on the instrument

This section describes how to set up manual or automatic LAN communications on the instrument.

Check communication settings

Before setting up the LAN configuration, you can check the communication settings on the instrument without making any changes.

To check communication settings on the instrument:

1. Press the **MENU** key.
2. Under System, select **SETTINGS**. The SYSTEM SETTINGS window opens.
3. Select **COMMUNICATION**. The SYSTEM COMMUNICATION window opens.
4. Select one of the three interfaces (**GPIB**, **USB**, or **LAN**) to see the settings for that interface.
5. Press the **EXIT** key to leave the SYSTEM COMMUNICATION window without making any changes.

NOTE

You can also check the settings with the SCPI command
`:SYSTEM:COMMUNICATION:LAN:CONFIGure.`

Set up automatic LAN configuration

If you are connecting to a LAN that has a DHCP server or if you have a direct connection between the instrument and a host computer, you can use automatic IP address selection.

If you select Auto, the instrument attempts to get an IP address from a DHCP server. If this fails, it reverts to an IP address in the range of 169.254.1.0 through 169.254.254.255.

NOTE

Both the host computer and the instrument should be set to use automatic LAN configuration. Though it is possible to have one set to manual configuration, it is more complicated to set up.

To set up automatic IP address selection using the front panel:

1. From the Home screen, press **MENU**.
2. Under System, select **SETTINGS**. Then select **COMMUNICATION**.
3. Select the **LAN** interface.
4. For TCP/IP Mode, select **Auto**.
5. Select **Apply Settings** to save your settings.

NOTE

If you are using a 2281S-20-6 with no front panel, you can configure the LAN using SCPI commands. For details, see the SCPI command [:SYSTem:COMMunication:LAN:CONFigure](#) (on page 7-149).

Set up manual LAN configuration

If necessary, you can set the IP address on the instrument manually.

You can also enable or disable the DNS settings and assign a host name to the DNS server.

NOTE

Contact your corporate information technology (IT) department to secure a valid IP address for the instrument when placing the instrument on a corporate network.

The instrument IP address has leading zeros, but the computer IP address has none.

To set up manual IP address selection on the instrument:

1. From the Home screen, press **MENU**.
2. Under System, select **SETTINGS**. Then select **COMMUNICATION**.
3. Select the **LAN** interface.
4. For TCP/IP Mode, select **Manual**.
5. Select the button next to IP Address and enter the LAN IP address using the numerical or soft keys.
6. Select the button next to Gateway and enter the gateway address.
7. Select the button next to Subnet and enter the subnet mask.
8. Select **Apply Settings** to save your settings.

NOTE

If you are using a 2281S-20-6 with no front panel, you can configure the LAN using SCPI commands. For details, see the SCPI command [:SYSTem:COMMunication:LAN:CONFigure](#) (on page 7-149).

Set up LAN communications on the computer

This section describes how to set up the LAN communications on your computer.

NOTE

Do not change your IP address without consulting your system administrator. Entering an incorrect IP address can prevent your computer from connecting to your corporate network.

Record all network configurations before modifying any existing network configuration information on the network interface card. Once the network configuration settings are updated, the previous information is lost. This may cause a problem reconnecting the host computer to a corporate network, particularly if DHCP is disabled.

Be sure to return all settings to their original configuration before reconnecting the host computer to a corporate network. Contact your system administrator for more information.

Wait for the LAN status indicator on the front panel to turn solid green

When the LAN status indicator on the front panel of the instrument turns solid green, it confirms that the instrument has been assigned an IP address. Note that it may take several minutes for the computer and instrument to establish a connection.

Install LXI Discovery Browser software on your computer

You can use the LXI Discovery Browser to identify the IP addresses of LXI-certified instruments. Once identified, you can double-click the IP address in the LXI Discovery Browser to open the web interface for the instrument.

The Keithley LXI Discovery Browser is available on the [Keithley Instruments website](http://www.keithley.com) (<http://www.keithley.com>).

To locate the Keithley LXI Discovery Browser on the Keithley website:

1. Select the **Support** tab.
2. In the model number box, type 2281S-20-6.
3. From the list, select **Software** and click the search icon. A list of software applications for the instrument is displayed.
4. See the readme file included with the application for more information.

For more information about the LXI Consortium, see the [LXI Consortium website](http://www.lxistandard.org) (<http://www.lxistandard.org>).

Run the LXI Discovery Browser

To run the LXI Discovery Browser software:

1. From the Microsoft Windows Start menu, select **Keithley Instruments**.
2. Select **LXI Discovery Browser**.
3. Click **LXI Discovery Browser**. The Keithley LXI Discovery Browser window is displayed.

The LXI Discovery Browser displays the instruments that it finds on the network and their associated IP addresses.

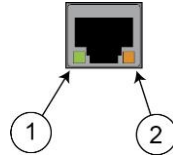
4. Double-click an IP address in the LXI Discovery Browser dialog box. The instrument web page for that instrument opens.

For information about using the web page, see [Web interface](#) (on page 2-64).

LAN status LEDs

The figure below illustrates the two status light emitting diodes (LEDs) that are located at the bottom of the LAN port of the instrument. The table below the figure provides explanations of the LED states.

Figure 55: LAN status LEDs



1	When lit, indicates that the LAN port is connected to a 100 Mbps network.
2	When blinking, indicates that the port is receiving or sending information.

If neither LED is lit, the network is not connected.

Web interface

When the LAN and instrument establish a connection, you can open a web page for the instrument.

To access the web interface:

1. Open a web browser on the host computer.
2. Enter the IP address of the instrument in the address box of the web browser. For example, if the instrument IP address is 169.254.152.168, enter 169.254.152.168 in the browser address box.
3. Press Enter on the computer keyboard to open the instrument web page.
4. If a dialog box is displayed, enter a user name and password. The default is `admin` for both.

NOTE

If the web page does not open in the browser, see [LAN troubleshooting suggestions](#) (on page 8-2).

Web interface welcome page

Figure 56: Welcome web page

LXI - Welcome	
Instrument Model:	2281S-20-6
Manufacturer:	Keithley Instruments
Firmware Revision:	00.07
Serial Number:	4072382
Description:	2281S-20-6 Wudang
LXI Version:	1.4 LXI Core 2011
LXI Extended Functions:	
MAC Address:	08:00:11:10:A5:30
TCP/IP Address:	134.64.222.146
Gateway:	134.64.222.129
Subnet Mask:	255.255.255.129
Lan Connector:	100M_FULL
Host Name (FQDN):	Tei-VGPP-2.local
DNS Servers:	134.64.216.235 129.136.210.33 129.136.132.135
Ports:	DST: 5030 Raw Socket: 5025 V30-11 Class: 111
VISA Resource String	TCP/IP: 134.64.222.146::INSTR GPIB0: 5::INSTR USB0-0x05E6:0x2281-4072382::INSTR
Calibration Date:	4/22/2015

The welcome page of the web interface gives you basic information about the instrument, including:

- The instrument model, manufacturer, serial number, firmware revision, and the last LXI message
- An **ID** button to help you locate the instrument
- Links to the instrument web options, including administrative options and LXI information

Identify the instrument

If you have a bank of instruments, you can click the **ID** button to determine which one you are communicating with.

To identify the instrument:

In the middle of the left side of the Home page, click the **ID** button.

The button turns green and the LAN status indicator on the instrument blinks.

Click the **ID** button again to return the button to its original color and return the LAN status indicator to steady on.

Change the IP configuration through the web interface

The LAN settings, such as IP address, subnet mask, gateway, and DNS address, can be changed through the web page of the instrument.

If you change the IP address through the web page, the web page will try to redirect to the IP address that gets configured in the instrument. In some cases, this may fail. This generally happens if you switch from static IP address assignment to IP address assignment using a DHCP server. If this happens, you need to revert to either using the front panel to set the IP address or use an automatic discovery tool to determine the new IP address.

NOTE

You can also change the IP configuration through the front panel or with SCPI commands. See [Set up LAN communications on the instrument](#) (on page 2-61) for information.

To change the IP configuration using the instrument web page:

1. Access the internal web page as described in the previous topic.
2. From the navigation bar on the left, in the LXI Home menu, select **IP Configuration**.
3. Click **Modify**. The Modify IP Configuration page is displayed.

Figure 57: Modify IP configuration

LXI - Modify IP Configuration

TCP/IP Configuration Mode:	<input checked="" type="radio"/> Automatic <input type="radio"/> Manual
Static IP Address:	<input type="text" value="134.64.222.35"/>
Subnet Mask:	<input type="text" value="255.255.255.128"/>
Default Gateway:	<input type="text" value="134.64.222.1"/>
DNS Servers:	<input type="text" value="134.64.216.239"/> <input type="text" value="128.181.3.1"/> <input type="text" value="129.196.132.135"/>
Host Name:	<input type="text" value="VGPP-Tek2280S"/>
Description:	<input type="text" value="Keithley-Tek2280S"/>
Domain Name:	<input type="text" value="global.tektronix.net"/>

Submit

4. Change the values.
5. Click **Submit**. The instrument reconfigures its settings, which may take a few seconds.

NOTE

You may lose your connection with the web interface after clicking **Submit**. This is normal and does not indicate an error or failure of the operation. If this occurs, find the correct IP address and reopen the web page of the instrument to continue.

Change the web interface password

You can change the instrument password from the web interface.

To change the password:

1. From the web interface home page, select **Set Password**.
2. In the **Current password** box, enter the presently used password.
3. In the **New password** and **Confirm new password** boxes, enter the new password.
4. Click **Submit**.

NOTE

The default password is `admin`.

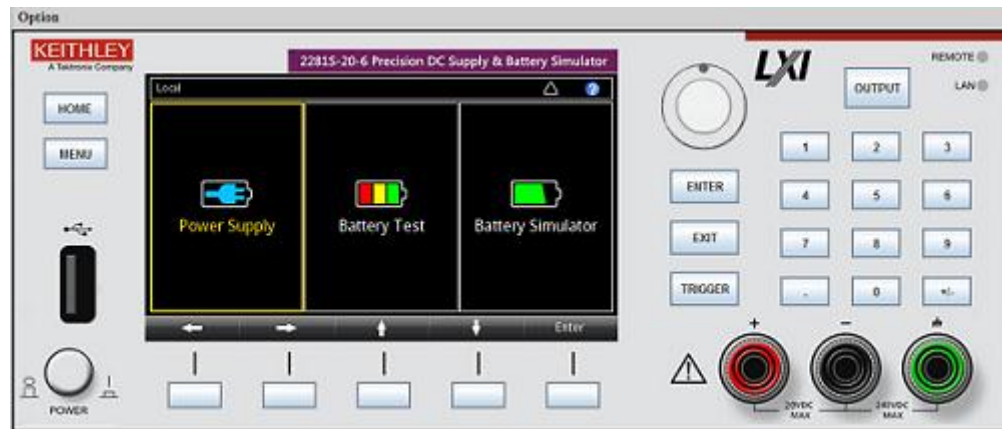
Take a snapshot and fetch data in Virtual Front Panel

You can take a snapshot of Series 2281 LCD display and fetch buffered test data on the web page.

To take a snapshot:

1. From the navigation bar of the web interface home page, select **Virtual Front Panel**. The following page is displayed.

Figure 58: Virtual front panel

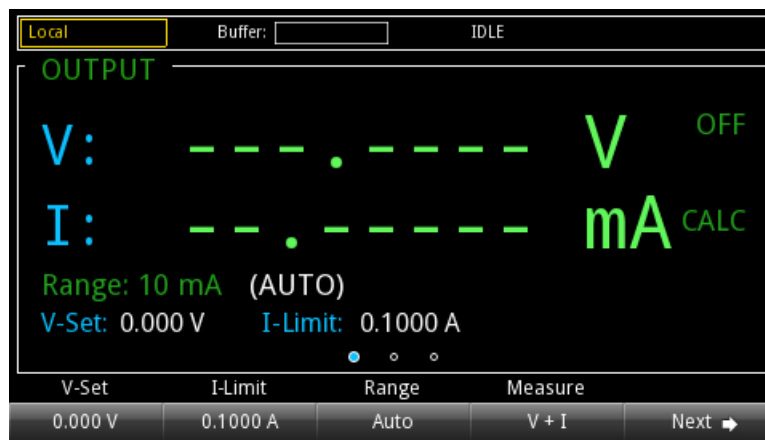


NOTE

If a dialog box is displayed, type in the password to continue. The default password is `admin`.

2. In the left upper corner of the front panel, click **Option**.
3. Click **Snapshot**. A dialog box is displayed, indicating that the front-panel snapshot is copied to the clipboard.
4. Click **OK**.
5. Paste the snapshot (shown in the figure below) into your report.

Figure 59: LCD display snapshot



To fetch buffered data:

1. In the left upper corner of the front panel, click **Option**.
2. Click **Fetch data**. A dialog box indicating that the data copying is complete is displayed.
3. Click **OK**.
4. Paste the fetched data into your report.

Control the instrument through the virtual front-panel web page

You can operate the instrument using the virtual front panel shown in the figure below.

Figure 60: Virtual front panel for web page control



For more information about using the virtual front panel, refer to Front-panel user interface.

NOTE

The 2281S-20-6 only allows fewer than three clients to open the virtual front panel web page at the same time. Only the first successfully connected client can operate the instrument. Other clients can only view the virtual front panel.

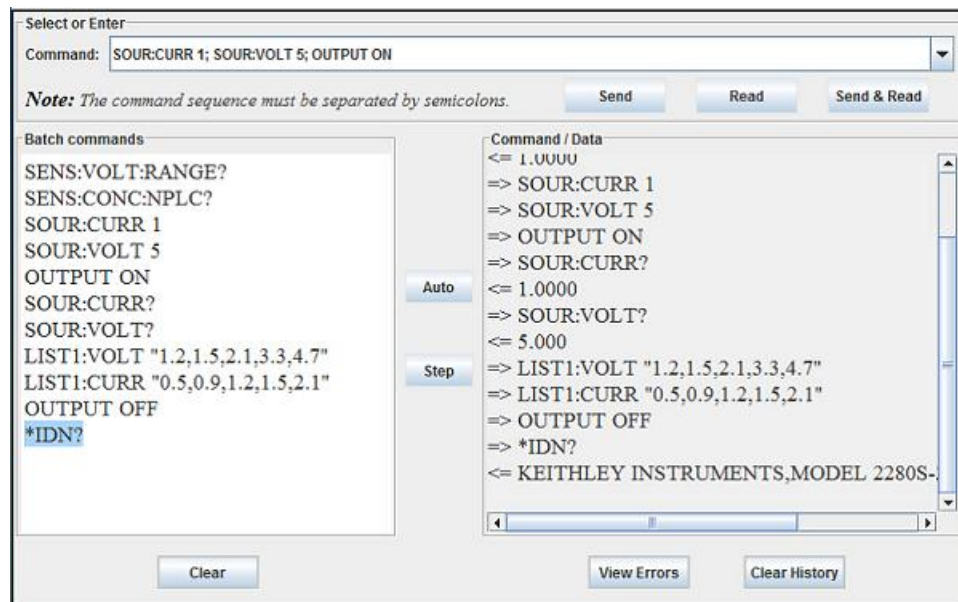
Send SCPI commands through the web interface

You can send SCPI commands from the web interface.

To send SCPI commands using the web page:

1. From the navigation bar on the left, select **SCPI command**. The web page is displayed as follows.

Figure 61: SCPI command web page



2. In the **Command** box, enter the SCPI command. You can enter a single command or batch commands, as shown in the figure.
3. Click **Send** to send the command to the instrument.
4. Click **Read** to get the returned value for a query command.
5. Click **Send & Read** to send a command and read the response from the instrument.
6. Click **View Errors** to get the oldest error in the event log and remove it.
7. Click **Clear** to clear all the history information shown on the web page.

NOTE

If you enter batch commands in the command box and click **Auto**, you will run the batch commands automatically, one-by-one.

Click **Stop** to stop the automatic run of the batch commands.

If you click **Step**, you will run the batch commands manually, one-by-one. You can select any command from the left panel to start running the batch.

You can edit the commands that are displayed in the left panel.

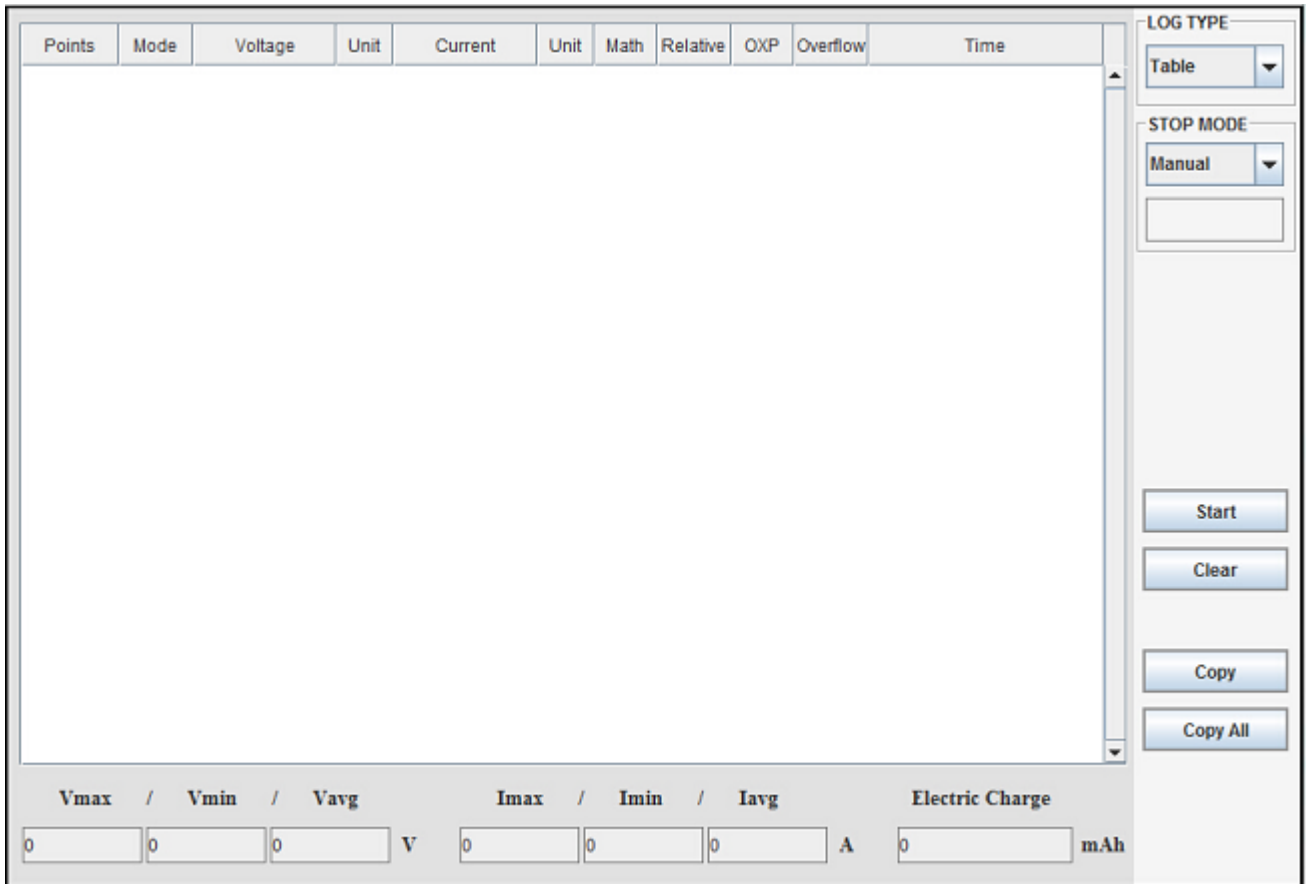
Data logging

You can save test data on the web interface to expand the data buffering. This function is useful when you monitor the device under test (DUT) for a long period.

To log data on the web interface:

1. From the navigation bar of the web interface home page, select **Data Logging**. The following screen is displayed.

Figure 62: Data logging web page



NOTE

There are three ways to log data on the web page:

- There is a **STOP MODE** box in the upper right corner of the screen. If you choose **Manual**, you start and stop the data logging manually.
- If you choose **Time (ms)**, the data logging stops at the preset time limit.
- If you choose **Points**, the data logging stops at the preset point limit.

1. Click **Start** on the right side of the screen to start logging test data on the web page.
2. If the data logging mode is set to Manual, click **Stop** on the right side of the screen to stop logging test data. If the mode is set to Time or Point, the logging will stop automatically when the time or point limit is reached. The data is logged as shown in the following figure:

Figure 63: Data logged on web page

LXI - Data Logging

Points	Mode	Voltage	Unit	Current	Unit	Math	Relative	OSP	Overflow	Time
1	CV	2.9995692	V	0.001658261	A	0	0	0	0	2013-06-24 21:56:27.4169
2	CV	2.9995954	V	0.0016532834	A	0	0	0	0	2013-06-24 21:56:27.5410
3	CV	2.9995673	V	0.001647044	A	0	0	0	0	2013-06-24 21:56:27.6651
4	CV	2.9995675	V	0.0016395174	A	0	0	0	0	2013-06-24 21:56:27.7892
5	CV	2.9995773	V	0.0016306476	A	0	0	0	0	2013-06-24 21:56:27.9133
6	CV	2.999553	V	0.05850386	A	0	0	0	0	2013-06-24 21:56:28.9062
7	CV	2.9996037	V	0.057492923	A	0	0	0	0	2013-06-24 21:56:29.0303
8	CV	2.9995697	V	0.05742163	A	0	0	0	0	2013-06-24 21:56:29.1544
9	CV	2.9995623	V	0.0016710608	A	0	0	0	0	2013-06-24 21:56:29.2990
10	CV	2.9995117	V	0.0016710013	A	0	0	0	0	2013-06-24 21:56:29.4231

Vmax / Vmin / Vavg
Imax / Imin / Iavg
Electric Charge

2.9996037 2.9995117 2.9995677 V
0.05850386 0.0016306476 0.018498922 A
0.0054513714 mAh

LOG TYPE
Table ▼

STOP MODE
Manual ▼

Start

Clear

Copy

Copy All

NOTE

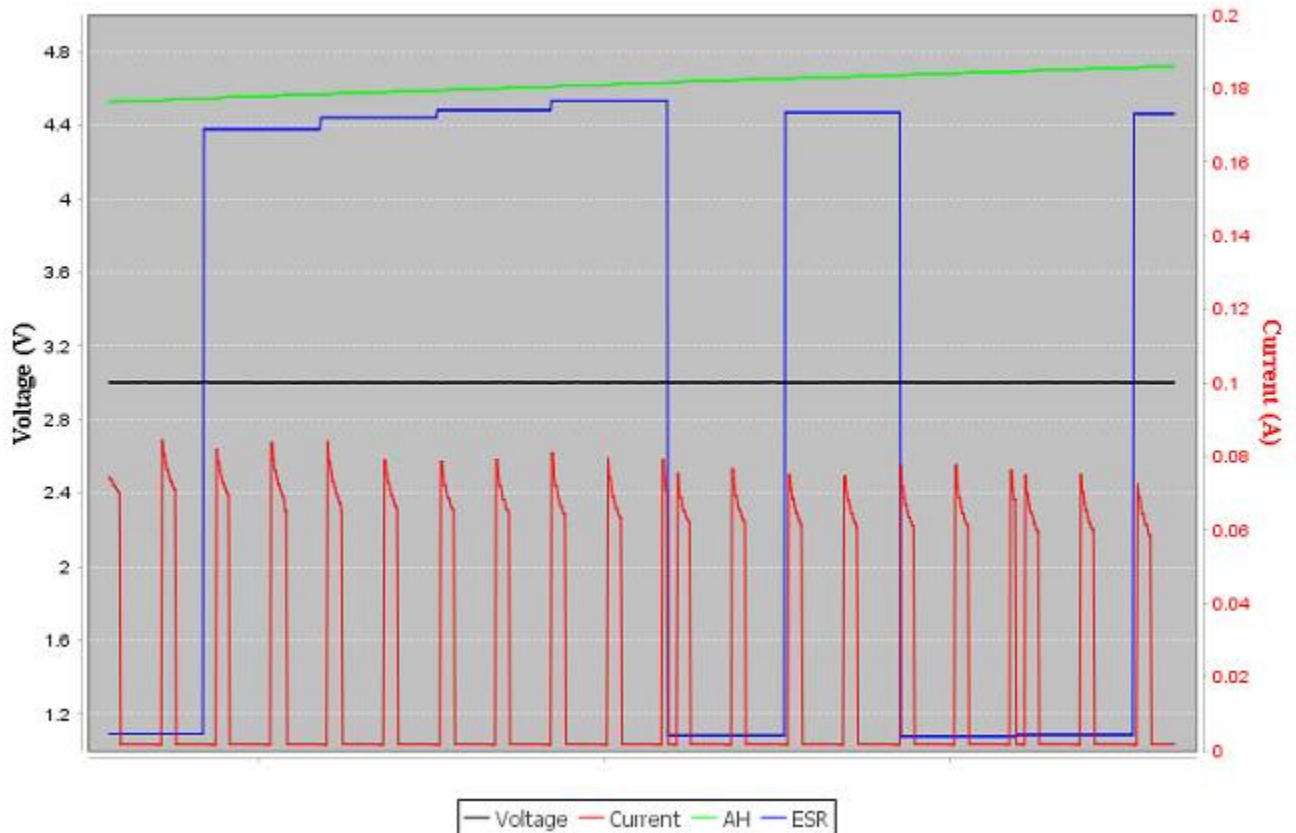
The table header is arranged in default for the power supply function. When you start to log data on the web page, the table header changes based on the function you choose.

Some of the fields in this panel are explained in the following table.

Name	Description
Math	If you set a function to calculate the logged data, 1 will be displayed in the cell in this column. 0 means the data will not be calculated in a function. For more information about this function, refer to Math calculations that you can apply to measurements.
Relative	In this column, 1 means the deviation caused by the line resistor is cancelled; 0 means the deviation is not cancelled. For more details about this setting, refer to Relative offset (on page 4-12).
OXF	In this column, 1 means any kind of protection is enabled; 0 means that no protection is enabled. For more details about this setting, refer to Protection (on page 2-84).
Overflow	In this column, 1 means the current has exceeded the preset current range; 0 means the current is within the range. For more details about this setting, refer to Setting overcurrent protection limits (on page 2-86).
Clear	If you click this button, all the data logged will be cleared.
Copy	If you select some rows in the logged data table and click Copy , you can then paste the data into your report.
Copy all	If you click Copy all , you can paste all the logged data into your report.

If you select **Graph** in **LOG TYPE**, the logged data will be displayed in graph, as shown in the following figure.

Figure 64: Graph on web page



If you click **Configure Axis**. The following figure is displayed.

Figure 65: Configure Y-Axis

	Type	Low	High
Left Y Axis:	Voltage	1.0	5.0
Right Y Axis:	Current	0.0	0.2

Buttons: Cancel, Apply

You can configure the type and vertical scale of Y axis.

USB communications

To use the rear-panel USB port, you must have the Virtual Instrument Software Architecture (VISA) layer on the host computer. See [How to install the Keithley I/O Layer](#) (on page 2-77) for more information.

VISA contains a USB-class driver for the USB Test and Measurement Class (USBTMC) protocol that, once installed, allows the Microsoft® Windows® operating system to recognize the instrument.

When you connect a USB device that implements the USBTMC or USBTMC-USB488 protocol to the computer, the VISA driver automatically detects the device. Note that the VISA driver only automatically recognizes USBTMC and USBTMC-USB488 devices. It does not recognize other USB devices, such as printers, scanners, and storage devices.

In this section, "USB instruments" refers to devices that implement the USBTMC or USBTMC-USB488 protocol.

NOTE

The full version of National Instruments (NI®) VISA provides a utility to create a USB driver for any other kind of USB device that you want to communicate with VISA. For more information, see the [National Instruments](http://www.ni.com) (<http://www.ni.com>) website.

Using USB

A USB cable is shipped with the instrument. If the original cable is not available, you will need a USB cable with a USB Type B connector end and a USB type A connector end. You will need a separate USB cable for each instrument you plan to connect to the computer at the same time using the USB interface.

To use a USB connection:

1. Connect the Type A end of the cable to the host computer.
2. Connect the Type B end of the cable to the instrument.
3. Turn power to the instrument on.
4. When the host computer detects the new USB connection, the Found New Hardware Wizard starts.
5. On the "Can Windows connect to Windows Update to search for software?" dialog box, click **No**, and then click **Next**.
6. On the "USB Test and Measurement device" dialog box, click **Next**, and then click **Finish**.

Communicate with the instrument

For the instrument to communicate with the USB device, you must use NI-VISA™. VISA requires a resource string in the following format to connect to the correct USB instrument:

```
USB0::0x05E6::0x2281::[serial number]::INSTR
```

Where:

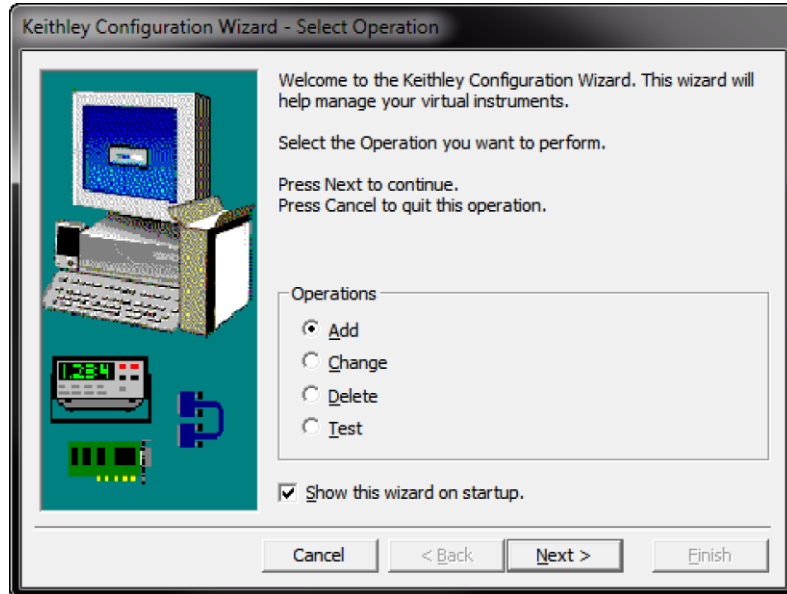
- 0x05e6: The Keithley Instruments vendor ID
- 0x2281: The instrument model number
- [serial number]: The serial number of the instrument (the serial number is also on the rear panel)
- INSTR: Use the USBTMC protocol

To determine these parameters, you can run the Keithley Configuration Panel, which automatically detects all instruments connected to the computer.

If you installed the Keithley I/O Layer, you can access the Keithley Configuration Panel through the Microsoft® Windows® Start menu.

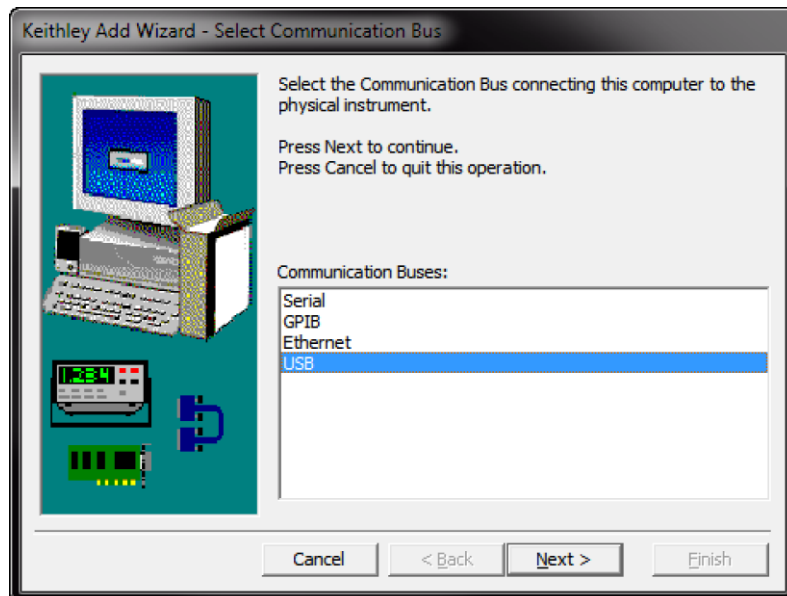
To use the Keithley Configuration Panel to determine the VISA resource string:

1. Click **Start > Programs > Keithley Instruments > Keithley Configuration Panel**. The Select Operation dialog box is displayed.
2. Select **Add**.



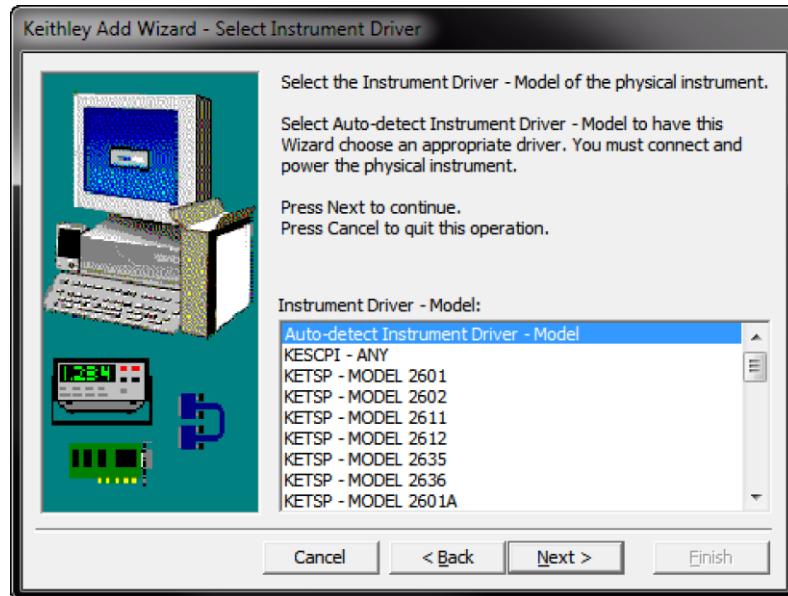
3. Click **Next**. The Select Communication Bus dialog box is displayed.

Figure 66: Select Communication Bus dialog box



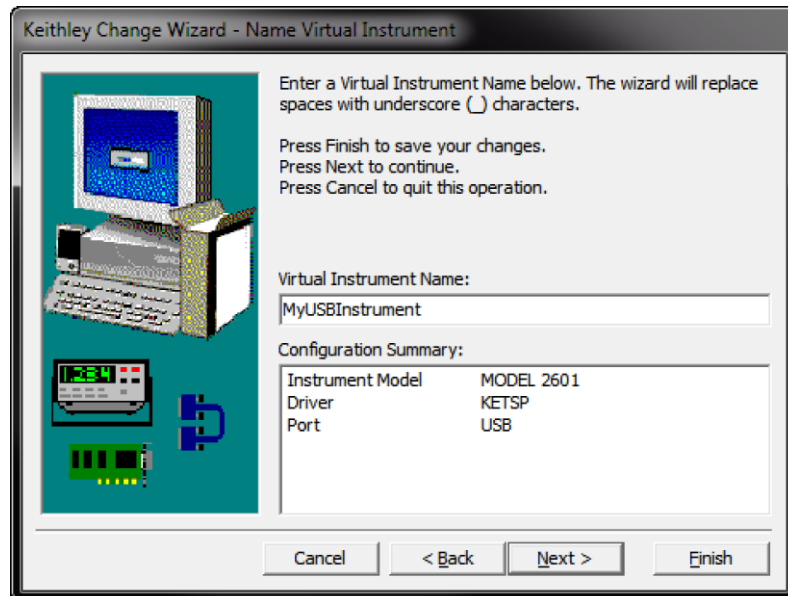
4. Select **USB**.
5. Click **Next**. The Select Instrument Driver dialog box is displayed.

Figure 67: Select Instrument Driver dialog box



6. Select **Auto-detect Instrument Driver - Model**.
7. Click **Next**. The Configure USB Instrument dialog box is displayed with the detected instrument VISA resource string visible.
8. Click **Next**. The Name Virtual Instrument dialog box is displayed.

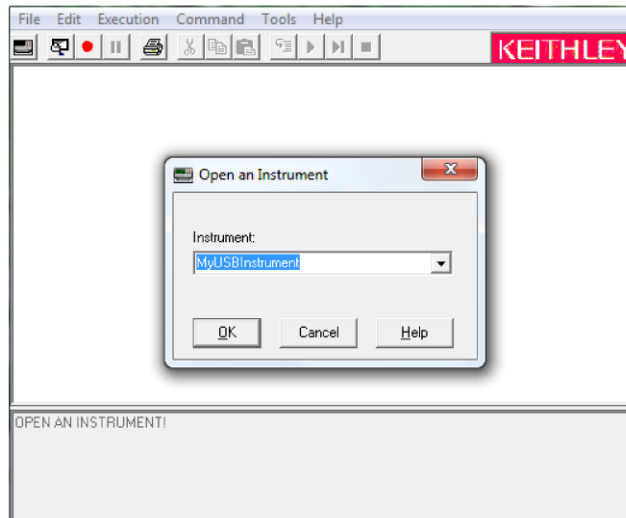
Figure 68: Name Virtual Instrument dialog box



9. In the Virtual Instrument Name box, enter a name that you want to use to refer to the instrument.
10. Click **Finish**.
11. Click **Cancel** to close the Wizard.
12. Save the configuration. From the Configuration Utility, select **File > Save**.

13. In the Keithley Communicator, select **File > Open Instrument** to open the instrument you just named.

Figure 69: Keithley Communicator Open an Instrument



14. Click **OK**.
 15. Send a command to the instrument and see if it responds.

NOTE

If you have a full version of NI-VISA on your system, you can run NI-MAX or the VISA Interactive Control utility. See the NI documentation for information.

If you have a full version of TEK-VISA on your system, you can run Openchoice Instrument Manager. See the Tektronix documentation for information.

If you have the Keysight Agilent IO Libraries on your system, you can run Agilent Connection Expert to check your USB instruments. See the Keysight documentation for information.

How to install the Keithley I/O Layer

NOTE

Before installing, it is a good idea to check the [Keithley Instruments website](http://www.keithley.com) (<http://www.keithley.com>) to see if a later version of the Keithley I/O Layer is available. On the website, select the **Support** tab, under **model number**, type `KIOL`, and select **Software Driver**.

You can install the Keithley I/O Layer from the CD-ROM that came with your instrument, or from the download from the Keithley website.

The software installs the following components:

- Microsoft® .NET Framework
- NI™ IVI Compliance Package
- NI-VISA™ Run-Time Engine
- Keithley SCPI-based Instrument IVI-C driver
- Keithley I/O Layer

To install the Keithley I/O Layer from the CD-ROM:

1. Close all programs.
2. Place the CD-ROM into your CD-ROM drive.
3. Your web browser should start automatically and display a screen with software installation links. If you need to manually open the web page, use a file explorer to navigate to the CD-ROM drive and open the file named `index.html`.
4. From the web page, select the **Software** category and click **Keithley I/O Layer**.
5. Accept all defaults.
6. Click **Next**.
7. Click **Install**.
8. Turn your computer off and then on again to complete the installation.

To install the Keithley I/O Layer from the Keithley website:

1. Download the Keithley I/O Layer Software from the [Keithley Instruments website](http://www.keithley.com) (<http://www.keithley.com>) as described in the note. The software is a single compressed file and should be downloaded to a temporary directory.
2. Run the downloaded file from the temporary directory.
3. Follow the instructions on the screen to install the software.
4. Turn your computer off and then on again.

Set voltage and current limit

Before you source voltage and current, you should specify a voltage and current limit.

To configure the limit using the front-panel Home screen:

1. Press the **Home** key. The home screen is displayed.
2. Press the **Voltage** or **I-Limit** soft key. The editing window is displayed at the bottom of the screen.

Enter a value using numerical keys on the right side of the front panel. Also, you can change the value using the arrows or navigation control.

NOTE

When the output is turned on, changing the value using the navigation control will change the source voltage and current instantly. Make sure that the output does not damage your device under test (DUT).

To configure the limit from the front-panel Source Settings screen:

1. Press the **Menu** key.
2. Under Source, select **Settings**.
3. For voltage, select the button next to **Voltage** and enter a value.
4. For current, select the button next to **I-Limit** and enter a value.

NOTE

If the limit setting is out of range, a warning message is displayed in the editing window.

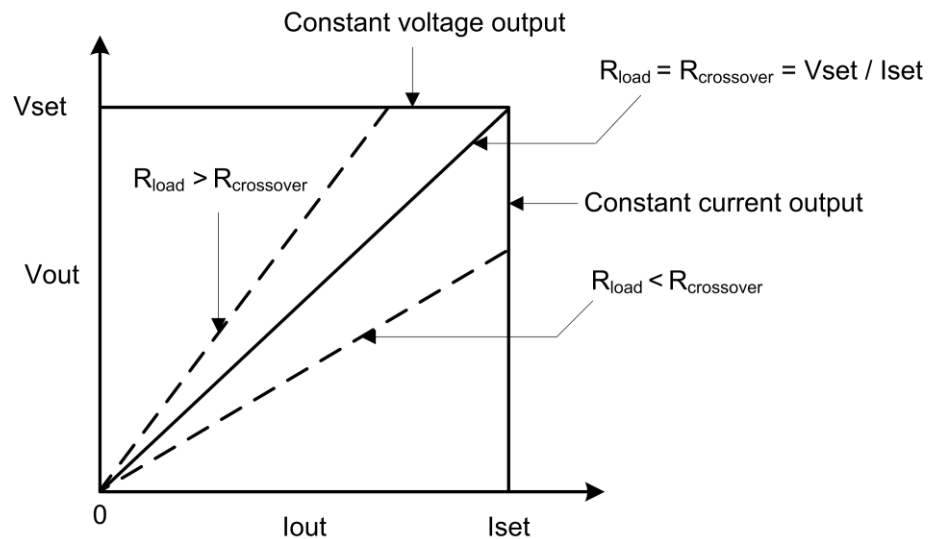
To set voltage and current limit separately, send the following commands:

```
VOLTage 10  
CURRent 2
```

Constant voltage (CV) and constant current (CC) mode

The 2281S-20-6 power supplies feature a constant voltage/constant current automatic crossover. This feature permits continuous operation in the transition from constant-voltage mode to constant-current mode as the load changes. The intersection of the constant-current and constant-voltage modes is called the crossover point. For more information, refer to the following figure.

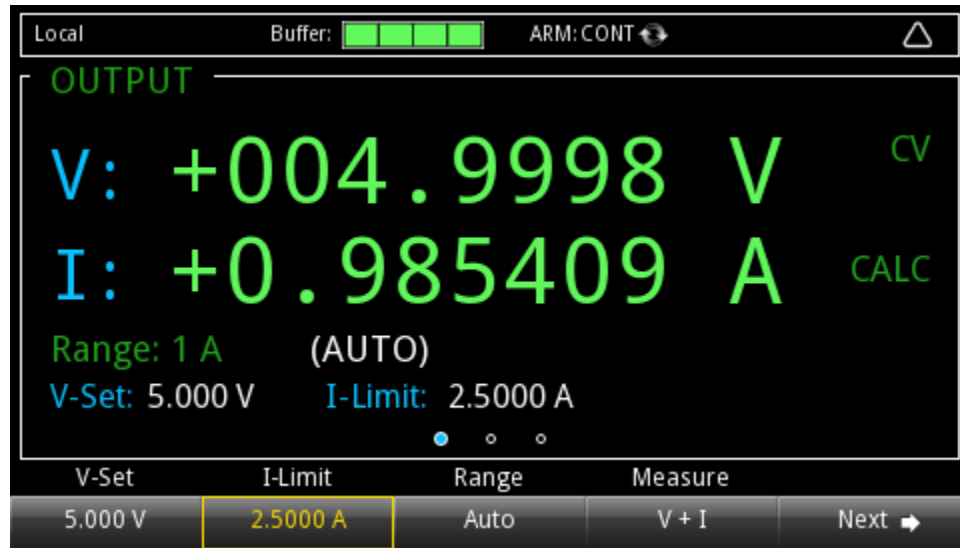
Figure 70: CC and CV mode



For example, if the resistive load is such that the power supply is operating in constant voltage mode, the power supply provides a regulated output voltage. The output voltage remains constant as the load decreases until the preset current limit is reached. Then the crossover occurs. At that point, the output current becomes constant and the output voltage drops in proportion to further load decreases. Crossover is indicated by the front panel CC and CV messages. If the CV message appears, the instrument is operating in constant-voltage mode. If the CC message appears, the instrument is operating in constant-current mode.

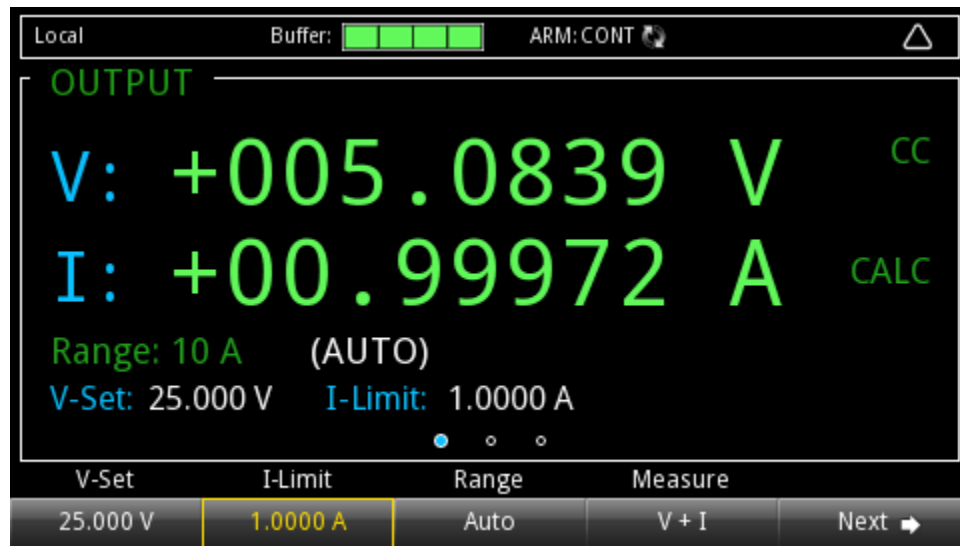
For this example, connect a 5 Ω resistor to the binding posts on the front panel, set the voltage to 5 V and current limit to 2.5 A, and turn on the output. The power supply is operating in CV mode. For details, refer to the following figure.

Figure 71: Constant voltage mode



Crossover from the constant-voltage mode to the constant-current mode also occurs automatically in response to a decrease in load. For example, connect a $5\ \Omega$ resistor to the binding posts on the front panel, set the voltage to 25 V and current limit to 1.0 A, and turn on the output. The power supply is operating in CC mode. For details, refer to the following figure.

Figure 72: Constant current mode



Select a measurement function

Different functions perform different measurements. The following topic describes how to select the measurement mode for the different functions.

Select a measurement function

The power supply function allows you to make the following measurements.

Measurement functions	What the instrument measures
Concurrent (V + I)	Measure voltage and current at the same time
Voltage (V)	Only measure voltage
Current (I)	Only measure current

To select the function from the front panel:

1. Press the **Menu** key.
2. Under Measure, select **Settings**.
3. Select the button next to **Function** and press the **ENTER** key. The selection window is displayed.
4. Select a measurement function.



Quick Tip

You can also select the measurement function from home screen 1. In soft key area 1, press the **Measure** soft key. The selection window is displayed. Select a measurement function.

To configure the measurement function using SCPI commands:

To measure voltage only, send the command:

```
SENSe:FUNCTion "VOLTage"
```

Battery test

The battery test function allows you to perform the following measurement functions.

Measurement functions	What the instrument measures
Concurrent (V + I)	Measure voltage and current of the battery at the same time
ESR	Measure the battery resistance
Voc	Measure the open voltage of the battery
A-H	Measure the battery capacity

To select the function from the front panel:

1. Press the **Menu** key.
2. Under **Measure**, select the measurement function of your choosing.

You can also conduct these measurements by selecting soft keys and sending SCPI commands. For details, refer to [Battery charging test](#) (on page 3-54)

Battery simulator

The battery simulator function allows you to perform the following measurement function.

Measurement functions	What the instrument measures
Concurrent (V + I)	Measure voltage and current of the battery at the same time

To select the function from the front panel:

1. Press the **Menu** key.
2. Under Measure, select **Settings**.

You can also conduct the measurement by selecting soft keys and sending SCPI commands. For details, refer to [Simulate a battery with 2281S-20-6](#) (on page 5-16).

Select a specific measurement range

For 2281S-20-6, you can set specific measurement ranges or allow the instrument to choose the ranges automatically only for the power supply function.

The measurement range determines the full-scale input for the measurement. The measurement range also affects the accuracy of the measurements and the maximum signal that can be measured.

NOTE

Selecting a lower measurement range can increase measurement accuracy, but the measurement must not exceed the range. If the measurement exceeds the range, an "Overflow" error will occur.

The 2281S-20-6 has multiple current measurement ranges and one voltage range. These ranges are listed in the following table.

Model	Current measurement range	Voltage measurement range
2281S	10 A	20 V
	1 A	
	100 mA	
	10 mA	

The following topics explain the details of selecting measurement range for the power supply function.

Selecting a specific measurement range

NOTE

You need to set the measurement function before you can set the measurement range. If you set the measurement range to a specific value, measurement autoranging is disabled.

To ensure the best accuracy and resolution when selecting a measurement range, use the lowest range possible that does not cause an overflow error.

To select a measurement range using the front-panel home screen:

1. Press the **HOME** key and select the **Range** key. The Range dialog box is displayed.
2. Use the up and down arrow to select the range. The Home page is displayed again with the selected value.

To select a measurement range using the front-panel Measure Settings screen:

1. Press the **MENU** key.
2. Under Measure, select **Settings**.
3. Select the button next to **Range**. The Range dialog box is displayed.
4. Select the range.

If the instrument displays an overflow message, select a higher range.

NOTE

You can set specific measurement ranges or allow the instrument to choose the ranges automatically only for the power supply function.

To select a measurement range using SCPI commands

For a current measurement, send the command:

```
SENSe:CURRent:RANGe <n>
```

Where <n> is the positive full-scale value of the measurement range.

To set the range for a concurrent measurement, replace `CURRent` with `CONCurrent`.

For voltage measurements, the instrument supports only one range.

NOTE

You can set specific measurement ranges or allow the instrument to choose the ranges automatically only for the power supply function.

Using Autoranging for Current Measurements

When measurement autoranging is selected, the instrument automatically selects the best range to measure the signal. If the measurement reaches 120 percent of the present range (except for 10 A range), the instrument changes the measurement range to the next higher range. If the measurement reaches 80 to 90 percent of the next lower range, the instrument changes the range to the next lower range.

If you enable the measurement autoranging, the measurement range is changed when a measurement is made. To read the measurement range that the instrument chose, you must query the range after a measurement is made.

NOTE

You must set the measurement function before the measurement range can be set.

If you set the measurement range manually for a function, measurement autoranging is automatically turned off for that function and remains off until you enable it again.

To select measurement autoranging using the front panel home screen:

1. Press the **HOME** key.
2. Press the soft key under Range. The Range dialog box is displayed.
3. Select **AUTO**. The home screen is displayed with autoranging enabled.

To select measurement autoranging using the front panel Measure Settings screen:

1. Press the **MENU** key.
2. Under Measure, select **Settings**.
3. Select the button next to **Range**. The Range dialog box is displayed.
4. Select **AUTO**.

NOTE

You can set specific measurement ranges or allow the instrument to choose the ranges automatically only for the power supply function.

To select measurement autoranging using SCPI commands:

To set the current measurement range, send the command:

```
:SENSe:CURRent:RANGe:AUTO ON
```

To set the concurrent measurement range, replace `CURRent` with `CONCurent`.

NOTE

You can set specific measurement ranges or allow the instrument to choose the ranges automatically only for the power supply function.

Protection

The 2281S-20-6 provides several methods for ensuring that the source remains within certain values. This helps to protect the device under test (DUT) from damage.

The protection settings that affect the source are:

- [Overvoltage protection](#) (on page 2-84). This is the voltage at the instrument terminals.
- [Overcurrent protection](#) (on page 2-86). This is the current at the instrument terminals.
- [Maximum voltage limits](#) (on page 2-88). This is the sourced voltage value at the device.

The 2281S-20-6 also provides overtemperature protection to prevent damaging heat build-up.

Overvoltage protection

Overvoltage protection restricts the maximum voltage level that the instrument can source. This protects the device under test (DUT) from high voltage levels.

For example, if a sense lead is disconnected or broken during a 4-wire sense measurement, the instrument can interpret the missing sense lead as a decrease in voltage and respond by increasing the source output. If overvoltage protection is set, the sourced output is not allowed to exceed the overvoltage protection limit.

When overvoltage protection is set and the sourced voltage exceeds the setting:

- The output is turned off.
- On the home screen, an indicator to the right of the voltage displays **OVP**.
- An error is generated. For more information, refer to [Overprotection error](#) (on page 2-87).

When overvoltage protection is used in a test sequence, it should be set before turning the source on.

WARNING

Even with the overvoltage protection set to the lowest value, never touch anything connected to the terminals of the 2281S-20-6 when the output is on. Always assume that a hazardous voltage (greater than 30 V RMS) is present when the output is on. To prevent damage to the DUT or external circuitry, do not set the voltage source to levels that exceed the value that is set for overvoltage protection.

Setting overvoltage protection limits

Overvoltage protection has a default value of the maximum output.

To set overvoltage protection using the front panel:

1. Press the **MENU** key.
2. Under Source, select **Protect**.
3. Select **OVP** and set the limit.
4. Select **HOME** to return to the operating display.

To set overvoltage protection using SCPI commands:

To set the overvoltage limit for the voltage source to 20 V, send the command:

```
:VOLTage:PROTection 20
```

See the command description for [:SOURce[n]]:<function>:PROTection[:LEVel] for the full list of options.

Overcurrent protection

Overcurrent protection restricts the maximum current level that the instrument can source. This protects the device under test (DUT) from high current levels.

For example, if a sense lead is disconnected or broken during a 4-wire sense measurement, the instrument can interpret the missing sense lead as a decrease in voltage and respond by increasing the source output. If overcurrent protection is set, the sourced output is not allowed to exceed the overcurrent protection limit.

When overcurrent protection is set and the sourced voltage exceeds the setting:

- The output is turned off.
- On the front panel, an indicator to the right of the voltage displays **OCP**.
- An error is generated. For more information, refer to [Overprotection error](#) (on page 2-87).

When overcurrent protection is used in a test sequence, it should be set before turning the source on.

WARNING

Even with the overcurrent protection set to the lowest value, never touch anything connected to the terminals of the 2281S-20-6 when the output is on. Always assume that a hazardous voltage (greater than 30 V RMS) is present when the output is on. To prevent damage to the DUT or external circuitry, do not set the current source to levels that exceed the value that is set for overcurrent protection.

Setting overcurrent protection limits

To set overcurrent protection using the front panel:

1. Press the **MENU** key.
2. Under Source, select **Protect**.
3. Select **OCP** and set the limit.
4. Select **HOME** to return to the operating display.

To set overcurrent protection using SCPI commands:

To set the overcurrent limit for the current source to 4 A, send the command:

```
:CURRent:PROTection 4
```

See the command description for [:SOURce[n]]:<function>:PROTection[:LEVel] for the full list of options.

Overtemperature protection

To prevent damaging heat build-up and ensure specified performance, make sure there is adequate ventilation and air flow around the instrument to ensure proper cooling. Do not cover the ventilation holes on the top, sides, or bottom of the instrument.

Even with proper ventilation, the instrument can overheat in the following situations:

- If the ambient temperature is too high.
- If you use the instrument as a power sink for long periods.

If the instrument overheats, the output is turned off and an event message is displayed.

CAUTION

If an overtemperature condition occurs, turn off the instrument and allow it to cool for 30 minutes. You cannot turn the output on until the instrument cools down. Verify that there is adequate ventilation. When you return power to the instrument, verify that the cooling fan is running. If not, contact Keithley Instruments. Leaving the instrument turned on with the failure message displayed or with an inoperative cooling fan may result in damage to the instrument.

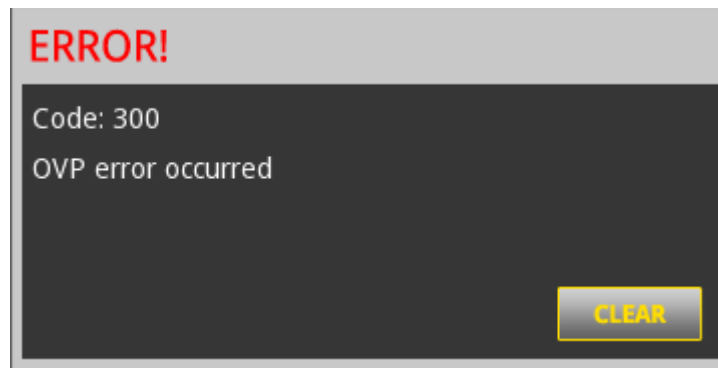
Overprotection error

When an overcurrent, overvoltage, or overtemperature protection error occurs, the instrument:

- Generates an overprotection error message.
- Displays an error dialog box is displayed.
- Turns off the output.
- Resets the voltage setting value and current limit to defaults.
- Sets the digital I/O line 3 to logic high.

To clear the error, you need to clear the Questionable Instrument Summary Event Register bit and initiate the trigger model using the front panel or SCPI commands. For more information on registers, refer to [Questionable Instrument Summary Event Register](#) (on page D-14).

Figure 73: Overprotection error dialog box



To clear an overprotection error using the front panel:

When the overprotection error dialog box is displayed, you can press the **ENTER** key to initiate the trigger model.

To clear an overprotection error using SCPI commands:

When an overprotection error occurs, send the following command to clear the register and initiate the trigger model:

```
:OUTPut:PROTection:CLEar
```


Maximum voltage limits

The maximum voltage limits prevent the instrument from sourcing a voltage over a maximum voltage limit. This helps prevent damage to the device under test (DUT).

You cannot specify a voltage setting over the maximum voltage limit. If you set a maximum voltage limit that is smaller than the voltage source value, the source value is automatically changed to the maximum voltage limit.

Setting maximum voltage limits

To set the maximum voltage limit using the front panel:

1. Press the **MENU** key.
2. Under Source, select **Protect**.
3. Select **VMax** and set the limit.
4. Select **HOME** to return to the operating display.

To set the maximum voltage limit using SCPI commands:

Send the `:SOURce:VOLTage:LIMit` command with the value of the limit. For example, to set the voltage limit for the current source to 25 V, send the command:

```
:VOLTage:LIMit 25
```

See the command description for `[:SOURce[n]]:<function>:PROTection[:LEVe]` for the full list of options.

Saving setups

You can save the present settings that you have defined for the 2281S-20-6 to internal memory.

After the settings are saved, you can recall the settings. You can also set them to be the default settings on power up.

Save a user setup

You can save a user setup to internal nonvolatile memory or an external USB flash drive.

To save a user setup to internal nonvolatile memory using the front panel:

1. Configure the 2281S-20-6 to the settings that you want to save.
2. Press the **MENU** key.
3. Under System, select **Save/Recall**.
4. Select the button next to **Save** and press the **ENTER** key. The Save/Recall Location window is displayed.
5. Select a location to save the setup and press the **ENTER** key. A keyboard is displayed.
6. Use the keyboard to enter the name of the setup.
7. Press the **ENTER** key. The setup is added to internal memory.

To save a user setup to external USB flash drive using the front panel:

1. Press the **MENU** key.
2. Under System, select **Save/Recall**.
3. Select the button next to **Save** and press the **ENTER** key. The Save/Recall Location window is displayed.
4. Select **Save to USB** and press the **ENTER** key. A keyboard is displayed.
5. Use the keyboard to enter the name of the setup.
6. Press the **ENTER** key. The setup is saved to external USB flash drive.

To save a user setup to internal nonvolatile memory using SCPI commands:

Configure the instrument to the settings that you want to save. To save the setup, send the command:

```
*SAV <n>
```

Where <n> is an integer between 1 and 5.

NOTE

The setup saved through the *SAV command have the name SETUP_x, where _x is the value you set for <n>.

To save a user setup to external USB flash drive using SCPI commands:

Send the command:

```
:MMEMory:SAVE:SETup "mysetup"
```

Save the present setup to the external USB flash drive as "mysetup".

Recall a user setup

You can recall setups from internal nonvolatile memory or external USB flash drive. When you recall a setup, the instrument returns to the settings that are saved in memory.

To recall a saved setup from internal nonvolatile using the front panel:

1. Press the **MENU** key.
2. Under System, select **Save/Recall**.
3. Select the button next to **Recall** and press the **ENTER** key. The Save/Recall Location window is displayed.
4. Select a saved setup in the pop-up window.
5. Press the **ENTER** key. The selected setup is applied to the instrument.

To recall a saved setup from external USB flash drive using the front panel:

1. Press the **MENU** key.
2. Under System, select **Save/Recall**.
3. Select the button next to **Recall** and press the **ENTER** key. The Save/Recall Location window is displayed.
4. Select **Recall From USB** and press the **ENTER** key. The Save/Recall Location window is displayed.
5. Select a saved setup in the pop-up window.
6. Press the **ENTER** key. The selected setup is applied to the instrument.

To recall a user setup from internal memory using SCPI commands:

Send the command:

```
*RCL <n>
```

Where <n> is an integer between 1 and 5 that represents the saved setup.

To recall a user setup from external USB flash drive using SCPI commands:

Send the command:

```
:MMEMory:LOAD:SETup "mysetup"
```

Recall the setup named "mysetup" in the external USB flash drive to the instrument.

Specify a default setup

You can specify a default setup that is applied immediately after the instrument is powered on.

To save a default setup to internal nonvolatile memory from the front panel:

1. Press the **MENU** key.
2. Under System, select **Save/Recall**.
3. Select the button next to **Auto Load Setup1** and press the **ENTER** key.
4. Select **On** and press **ENTER**.

NOTE

You must save your configuration under setup 1, or it will not be applied when the system power is turned on.

You can also enable the default setup by sending the SCPI command:

```
:SYSTem:POSetup:STAtE
```

Using the event log

The event log records errors that are reported by the instrument. The event log can hold up to 64 errors. When more than 64 errors are in the event log, the oldest error is removed when a new event is received.

Information provided for each event log entry

Each event log entry includes the following information:

- The time when the event occurred; this includes the date for the first entry after power up.
- The code number of the event; this number can be used with the status model to map events to bits in the event registers.
- The description of the event.

To access the event log listing from the front panel:

1. Press the **MENU** key.
2. Under System, select **Event Log**. A list of errors is displayed.
3. If the errors fill the page, you can scroll down to see additional errors.

Save the event log to an external flash drive

To save the event log to a USB flash drive from the front panel:

1. Press the **MENU** key.
2. Under System, select **Event log**.
3. Select the **Export to USB** button and press the **ENTER** key. The saving dialog box is displayed.
4. Press the **Yes** soft key. The event log is saved as `eventlog.csv` on the USB flash drive.

To save the event log to a USB flash drive using SCPI commands:

Configure the instrument to the settings that you want to save. To save the setup as the name "myerror.csv", send the command:

```
:SYSTem:EVENTlog:SAVE "myerror"
```

Clear the event log

To clear the event log from the front panel:

1. Press the **MENU** key.
2. Under System, select **Event log**.
3. Select the **Clear Event Log** button and press the **ENTER** key. The clear dialog box is displayed.
4. Press the **Yes** soft key. The instrument clears all errors stored in the internal memory.

To clear the event log using SCPI commands:

To clear all errors in the internal memory, send the command:

```
SYSTem:ERRor:CLEar
```

System information

To view system information from the front panel:

1. Press the **MENU** key.
2. Under System, select **Information**. The system information displays.

To return to the Home page, press the **HOME** key.

To view system information using SCPI commands:

To retrieve the manufacturer, model number, serial number, and firmware version, send the command:

```
*IDN?
```

To read the line frequency, send the command:

```
SYSTem:LFRequency?
```

The firmware build, memory available, and calibration date are not available when using SCPI commands.

Instrument sounds

The instrument emits a short beep when a front-panel key is pressed.

To turn the error beeper on or off from the front panel:

1. Press the **MENU** key.
2. Under System, select **Settings**.
3. Next to Beeper, select **ON** or **OFF**.

To turn the error beeper on or off using SCPI commands:

```
SYSTem:BEEPer:ERRor ON  
SYSTem:BEEPer:ERRor OFF
```

To turn the key clicks on or off from the front panel:

1. From the home page, press the **MENU** key.
2. Under System, select **Settings**.
3. Next to Key Click, select **ON** or **OFF**.

To turn the key clicks on or off using SCPI commands:

```
SYSTem:KCLick ON  
SYSTem:KCLick OFF
```

Resets

There are several types of resets in the 2281S-20-6.

In general, the terms "reset," "instrument reset," and "system reset" refer to the reset that is performed when you send the `*RST` or `:SYSTem:PRESet` command, or when you select **MENU > System > Manage > System Reset** from the front panel. For more information about the settings that get reset, refer to [Reset default values](#) (on page 3-60). For more information about system reset, refer to the topic [Reset the instrument](#) (on page 2-93).

The instrument also responds to other types of resets. These resets include:

- **Password reset:** This resets the instrument password to its default value. You can reset the password by pressing the **MENU** key, selecting **Info/Manage** (under System), and selecting **Password Reset**. When you do this, the password returns to the default setting. Refer to Instrument access.
- **LAN reset:** This resets the LAN settings and the instrument password to the system default values. You can reset the password by pressing the **MENU** key, selecting Communication (under System), selecting LXI LCI, and pressing the **ENTER** key.
- **Status preset:** This resets all bits in the status model. If you are using the SCPI command set, refer to [:STATus:PRESet](#) (on page 7-142).

Reset the instrument

You can reset many of the instrument settings to their default values. For details about what gets reset, see [Reset default values](#) (on page 3-60). Default values are also listed in the individual command descriptions.

To reset the instrument using the front panel:

1. Press the **MENU** key.
2. Under system, select **Manage**.
3. Select **System Reset**.
4. The commands are reset and a confirmation message is displayed.

To reset the instrument using SCPI commands:

Send the command:

```
:SYSTem:PRESet
```

Functions and features

In this section:

Instrument access	3-1
Graph	3-2
Output delay, slew rate, and source delay.....	3-7
Data buffer.....	3-10
Digital I/O.....	3-19
Trigger model	3-27
Level trigger.....	3-32
List operation.....	3-36
Sink operation	3-50
Battery charging & discharging.....	3-51
Generating and editing battery model.....	3-56
Battery simulation.....	3-58
Reset default values.....	3-60

Instrument access

You can set one of the following levels of access to the instrument:

- None: Allows access by one remote interface at a time with logins required from other interfaces
- All: Allows access by one remote interface at a time with passwords required on all interfaces

NOTE

If you set the instrument access for one function of the instrument, the other two functions will share the same setting.

NOTE

The front-panel is read-only when you are using a remote interface. You can view the Home, Graph or Data Sheet screen by sending `:DISPlay:SCREen` command.

When you set access to `None`, you need to send `:SYSTem:COMMunication:ABORT` via this interface to use another interface. You do not need a password with this access.

All access is similar to `None` access, except that you must send `:SYSTem:PASSword:UNLock` with the password before sending `SYSTem:COMMunication:ABORT`.

Changing the instrument access mode

To change the access mode Using SCPI commands

Send the command that is appropriate for the level of access you want to enable:

```
:SYST:PASS:MODE NONE  
:SYST:PASS:MODE ALL
```

Changing the password

If the instrument is set to the access mode of All, you must enter a password to change to a new control interface. You can set the password, as described below.

The default password is `admin`.

To change remote control password from the front panel:

1. Press the **MENU** key.
2. Under System, select **Settings**.
3. Select the button next to Password and press **ENTER**. The System Password screen is displayed.
4. Select the Remote and press **ENTER**. The Input Original Password screen is displayed.
5. Enter the original password.
6. Select the **OK** button on the displayed keyboard. A Input New Password screen is displayed.
7. Enter the new password.
8. Select the **OK** button on the displayed keyboard. A verification screen is displayed.
9. Enter the new password again.
10. Select the **OK** button on the displayed keyboard. The password is reset.

NOTE

You can reset the password by pressing the **MENU** key, selecting Manage (under System), and selecting **Password Reset**. When you do this, the remote control password and calibration password return to the default setting.

To change the remote control password using SCPI commands:

```
:SYSTem:PASSword:NEW <string1>, <string2>
```

Where `<string1>` is a string that contains the present password, and `<string2>` is a string that contains a new password.

Graph

You can configure the following settings that affect how readings appear on the Graph screen.

- Window position and zoom: Specify the readings that are displayed on the screen.
- Current and voltage auto adjustment: Automatically adjust the scale and offset of the Y-Axis.
- Current and voltage manual adjustment: Manually adjust the scale and offset of the Y-Axis.

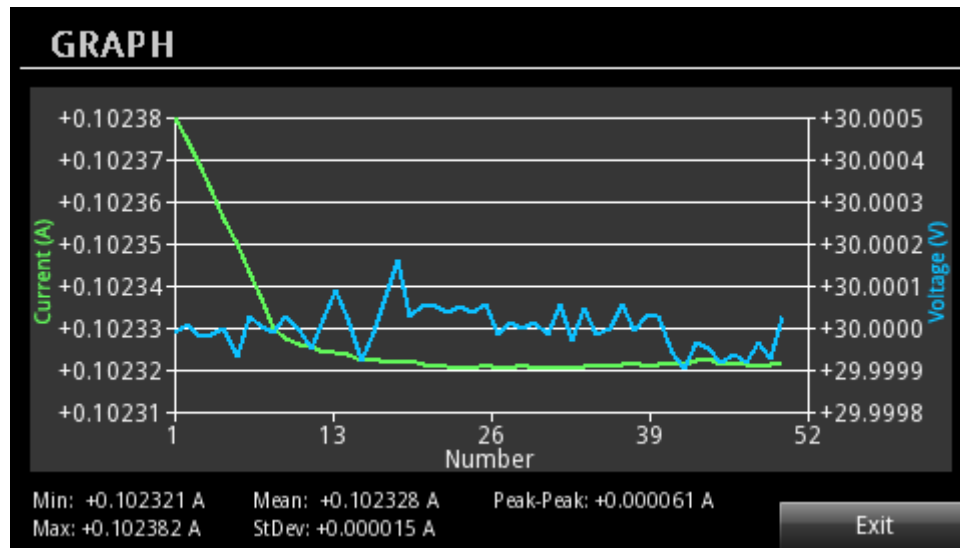
Changing the window position and zoom

You can use window position and zoom to specify how the readings are displayed on the screen.

For the power supply function:

Use window position to set the center point of graph. Use window zoom to specify the number of readings that can be displayed. For example, set the buffer size to 100. A position of 25 % means the 25th reading in the buffer is the middle of the point in the plot. A zoom of 50 % specifies 50 readings shown on the screen. For details, see the following figure.

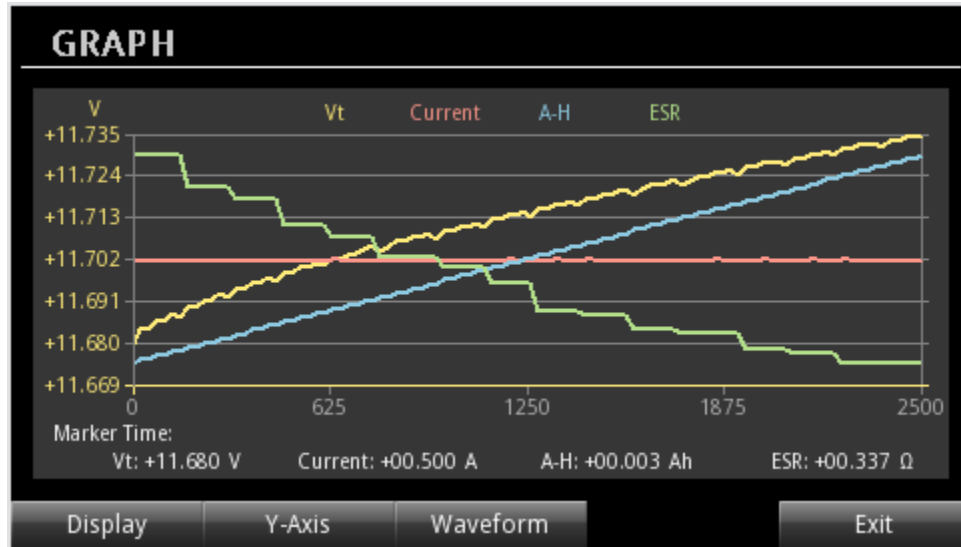
Figure 74: Window position and zoom



For the battery test function:

The values of voltage, current, ampere-hour, and resistance are represented in lines of different colors. As shown in the following figure, you can select the Y-axis by clicking the **Y-AXIS** button. Then you can place the marker by turning the navigation control. The values of voltage, current, ampere-hour, resistance, and time correspond to the marker are displayed under the graph.

Figure 75: Battery test graph



The X-axis represents the time.

By clicking the **DISPLAY** button, you can switch between the display options:

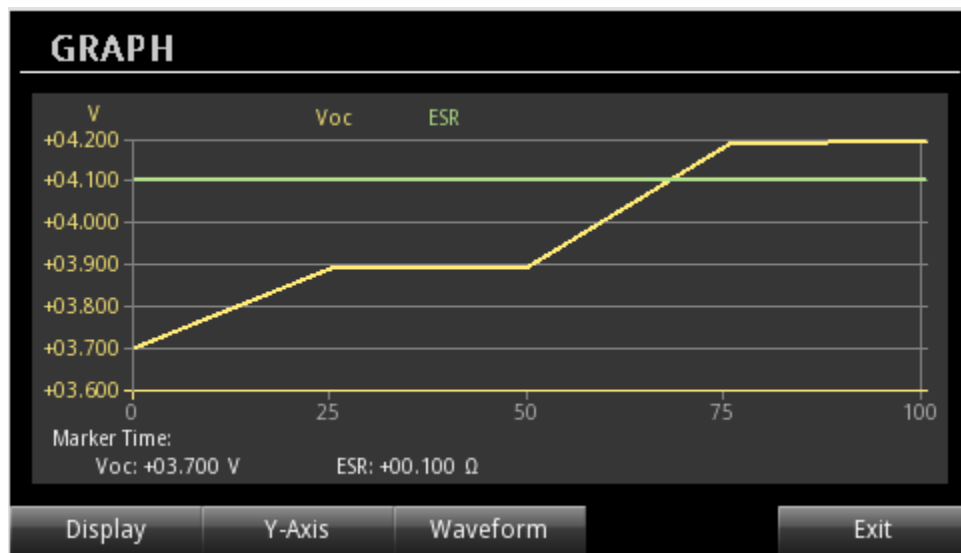
- Short period: Displays the 2500 points saved in the buffer
- Long period: Displays data since the beginning of the test until now

You can exit the graph display by clicking **EXIT** button.

For the battery simulation function:

The values of voltage, current, ampere-hour, and resistance are represented in lines of different colors. As shown in the following figure, you can select the Y-axis by clicking the **Y-AXIS** button. You can place the marker by turning the navigation control. The values of voltage, current, ampere-hour, resistance, and time correspond to the marker are displayed under the graph.

Figure 76: Battery simulation graph



The X-axis represents the time.

For this function, only one kind of time duration is displayed: the short period of 2500 points saved in the buffer.

You can exit the graph display by clicking **EXIT** button.

To change the window position and zoom on the front panel:

1. Press the **MENU** key.
2. Under Views, select **Graph**.
3. Select the button next to **Window** and press **ENTER**. The window setting screen is displayed.
4. Press the **Position** soft key. The position edit screen is displayed.
5. Enter a value from 0 to 100 %.
6. Press the **Zoom** soft key. The zoom edit screen is displayed.
7. Enter a value from 0 to 100 %.

NOTE

When the buffer is in never mode, you can configure position and zoom to specify the readings that are displayed on the screen. Otherwise, if buffer is in next or always mode, the customized position and zoom settings cannot be applied to graph.

Adjusting the scale and offset of Y-Axis

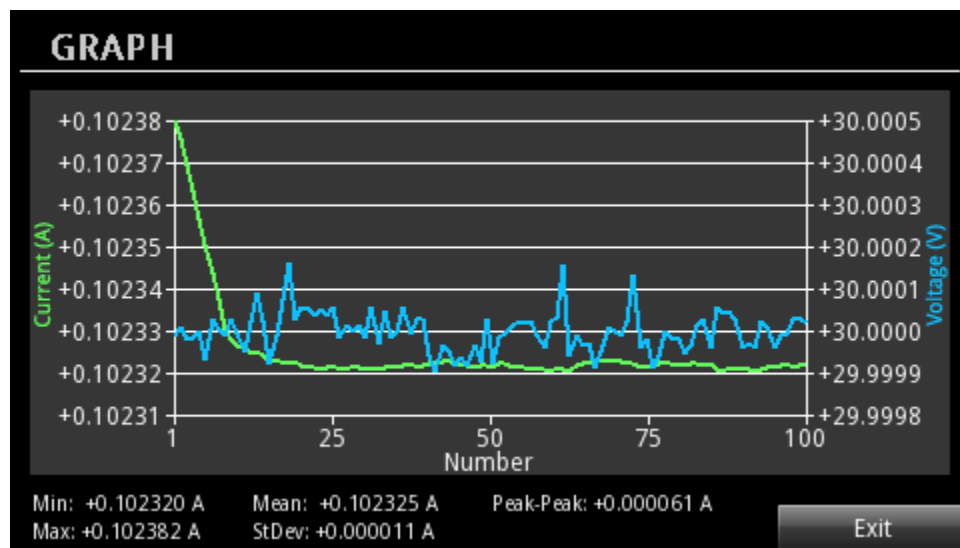
You can adjust the scale and offset of the Y-axis automatically or manually. When auto adjustment is enabled, the instrument automatically changes the scale and offset of the Y-axis based on current and voltage measurements.

To set the auto adjustment on the front panel:

1. Press the **MENU** key.
2. Under Views, select **Graph**.
3. Select the button next to **I Auto Adjust** or **V Auto Adjust** and press **ENTER**.
4. Select **On** to enable auto adjustment.

The following figure shows an example with the auto adjustment enabled. In this example, a 300 Ω resistor is connected to the front binding posts, and the voltage is set to 30 V and current limit is set to 3 A.

Figure 77: Graph auto adjustment



To set the manual adjustment on the front panel:

1. Press the **MENU** key.
2. Under Views, select **Graph**.
3. Select the button next to **I Manual Adjust** or **V Manual Adjust** and press **ENTER**.
4. Press the **Scale** soft key. The scale screen is displayed.
5. Enter a value for scale. There are seven divisions on the Y-axis. The minimum value for current scale is 10 μ A. The minimum value for voltage scale is 100 μ V.
6. Press the **Offset** soft key. The offset screen is displayed.
7. Enter a value for offset. For details, refer to the following table.

Model number	Current offset	Voltage offset
2281S-20-6	-1 A to 6.1 A	-20 V to 20 V

NOTE

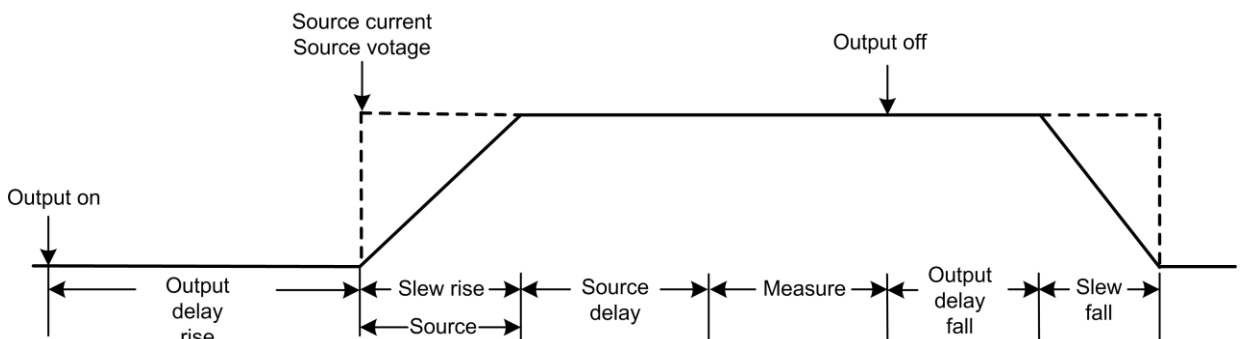
Before configuring the scale or offset, make sure the auto adjustment is disabled. Otherwise, you cannot change these settings.

Output delay, slew rate, and source delay

The following delays occur when you turn on the output and source a specified voltage and current to device under test (DUT):

- Output delay: The delay that the instrument waits before enabling and disabling the specified output.
- Slew rate: The rate of change of output voltage per unit of time.
- Source delay: The delay between when the source reaches the Vset value and when the measurement is made.

Figure 78: 2281S-20-6 output delay, slew rate, and source delay



NOTE

The delays described in this section only apply to the power supply function.

Output delay

You can set a delay before turning on the output or turning off the output. The delay can range from 0.001 s to 10 s.

Using the front panel:

1. Press the **MENU** key.
2. Under Source, select **Settings**.
3. Select the button next to **Output Delay**. The delay window is displayed.
4. Select **On** to enable the output delay.
5. Select the button next to **Delay Rise** and enter a value.
6. Select the button next to **Delay Fall** and enter a value.

Using SCPI commands:

To set turn-on and turn-off delays, send the following commands:

```
OUTP:DEL:RIS 2  
OUTP:DEL:FALL 3
```

To enable the output delay, send the command:

```
OUTP:DEL:STATe ON
```

Slew rate

The slew rate determines the rate at which the voltage changes to a new programmed setting. You can specify the rising rate and falling rate for the voltage changes.

Using the front panel:

1. Press the **MENU** key.
2. Under Source, select **Settings**.
3. Select the button next to **Slew Rise** and enter a value
4. Select the button next to **Slew Fall** and enter a value.

Using SCPI commands:

To specify the rising rate for the voltage source, send the command:

```
:VOLT:SLEW:RIS 100
```

To specify the falling rate for the voltage source, send the command:

```
:VOLT:SLEW:FALL 100
```

NOTE

The slew rate ranges from 10 to 1000 V/S.

The setting of slew rate only works properly if the instrument operates below 5 V, 6 A. Otherwise, the instrument will source with a noise of 50 Hz.

Source delay

When the power supply is used to source and measure, the supply outputs a voltage and then measures output current and output voltage. There is always some small delay between the internal process of setting the output voltage and beginning a measurement. A programmable source delay can be set to extend the time between the internal setting of the output voltage and the beginning of the first reading. This is a source-delay-measure (SDM) cycle. During each SDM cycle, the following occurs:

1. The supply sets the output level.
2. A delay timer starts if a source delay time has been set.
3. The measurements are begun after the delay timer expires.

The default value for the source delay is 1 ms. The source delay can be set from 0 to 99 s with 10 μ s resolution. Use of the source delay can allow for output settling time when output values are changed.

NOTE

If you change the resolution to 5.5 or 6.5, the instrument enables source delay and sets the delay time to 1 ms. For details about resolution, refer to Resolution.

Setting the source delay

Using the front panel:

1. Press the **MENU** key.
2. Under Source, select **Delay**.
3. Select the button next to **Source Delay** and enter a value
4. Select the button next to **State** and turn on the source delay.

Using SCPI commands:

To set the source delay, set the command to a value. For example, to set the delay to 5 seconds, send:

```
:DEL 5
```

To enable a source delay, send the command:

```
:DEL:STAT ON
```


Data buffer

The data buffer captures measurements, instrument status, and the output state of the instrument. The 2281S-20-6 has only one buffer for each channel.

The data buffer provides the following statistics: average, minimum, maximum, peak-to-peak, and standard deviation.

You can perform the following operations on the data buffer from the front panel or the remote interface:

- Configure, store, and recall reading buffer.
- View reading buffer content.
- Save reading buffer content to a USB flash drive.
- Set reading buffer to next, always, or never fill mode.
- Change the capacity of reading buffer.
- Clear reading buffer manually or automatically.

Effects of reset and power cycle on buffer

The instrument clears the reading buffer when the power is turned off and then turned on again.

Buffer fill status

There are several different ways to determine buffer fill status from the front panel.

As shown in the following figure, the Active buffer indicator displays buffer fill status.

Figure 79: Buffer indicator



Setting reading buffer size and buffer mode

To configure the buffer, you need to make the following settings:

- Setting the buffer size
- Setting the buffer fill mode

Buffer size

The initial buffer capacity is 100 readings for the power supply function.

The initial buffer capacity is 2500 readings for the battery test and battery simulation function.

You can resize the default buffer.

NOTE

Stored readings and statistics are deleted when you change the capacity of a buffer.

Buffer mode

The buffer mode setting for the reading buffer controls how the incoming data is managed as the buffer fills. The options are:

- Never: The buffer stops accepting data.
- Next: The buffer stops accepting data once it fills to capacity and no new data is stored in the buffer. Once buffer fills to capacity, the instrument switches to Never mode automatically.
- Always: Data fills the buffer normally until the end of the buffer is reached. When the end is reached, the data returns to the beginning of the buffer and overwrites the oldest reading. This is a traditional circular buffer. In this case, the buffer never technically fills.

NOTE

The buffer mode is only configurable in the power supply function. The nonconfigurable buffer mode in the battery test and battery simulation function is Always.

NOTE

When auto clear is enabled, the buffer automatically clears when the storage process starts. So changing the buffer mode to Next or Always will clear the buffer.

The following topics provide information about using the front panel to configure the buffer and provide an introduction to using remote commands to configure the buffer.

For additional information about using remote commands for buffer operations, see [TRACe subsystem](#) (on page 7-161).

Using the front panel to set buffer capacity:**NOTE**

Resizing reading buffer also clears the data in buffer.

1. Press the **MENU** key.
2. Under Measure, select **Data Buffers**.
3. Select the button next to **Size**. The Size screen is displayed.
4. Enter the new size for the buffer. For example, enter 600, and press the **ENTER** key.
5. Press the **HOME** key to return to the operating display.

Using the front panel to set fill mode:

1. Press the **MENU** key.
2. Under Measure, select **Data Buffers**.
3. Select the button next to **Mode**. The Mode screen is displayed.
4. Select the buffer Mode. For example, press the button next to **Always**.
5. Press the **HOME** key to return to the Home screen.

Using SCPI commands to set the buffer fill mode:

To set the reading buffer mode to wrap, send the following command:

```
:TRACe:FEED:CONTRol ALWays
```

To set the reading buffer mode to start, send the following command:

```
:TRACe:FEED:CONTRol NEXT
```

To set the reading buffer mode to halt, send the following command:

```
:TRACe:FEED:CONTRol NEVer
```

Using SCPI commands to set buffer capacity:

To set the reading buffer to hold 300 readings, send the following command:

```
:TRACe:POINTs 300
```

Viewing and saving buffer content

You can view the content of the buffer from the front panel.

However, the front panel may not be flexible enough for your particular type of data analysis. For further analysis, save the contents of the reading buffer to a USB flash drive. The stored file can be loaded directly into Microsoft® Excel or another tool. The file contains all the information the instrument records about each data point in the reading buffer.

All readings are saved in the comma-separated value (.csv) file format. This format stores tabular data (numbers and text) in plain-text form. You can import the .csv file into a spreadsheet. See the following figures for an example of a buffer .csv file imported into a spreadsheet.

Figure 80: Example of spreadsheet with reading buffer content

Fill Mode	Always								
Capacity	2500								
Count	10								
Index	Current	Unit	Voltage	Unit	Math	Output	Date	Time	Fractional
1	0.10227	A	29.9998	V	F	CV	06/03/2014	16:17:20	0.3286
2	0.10227	A	29.9999	V	F	CV	06/03/2014	16:17:20	0.4521
3	0.10226	A	30	V	F	CV	06/03/2014	16:17:20	0.5754
4	0.10225	A	29.9999	V	F	CV	06/03/2014	16:17:20	0.6988
5	0.10224	A	29.9999	V	F	CV	06/03/2014	16:17:20	0.8222
6	0.10224	A	29.9999	V	F	CV	06/03/2014	16:17:20	0.9456
7	0.10223	A	29.9999	V	F	CV	06/03/2014	16:17:21	0.0689
8	0.10221	A	29.9999	V	F	CV	06/03/2014	16:17:21	0.1923
9	0.1022	A	29.9999	V	F	CV	06/03/2014	16:17:21	0.3157
10	0.10219	A	29.9998	V	F	CV	06/03/2014	16:17:21	0.4391

The following table describes the information that is stored in each column of the spreadsheet.

Heading	Description
Index	Provides an identifier for each reading.
Current	The value saved in the buffer depends on the measurement function. For more information, see the following table.
Unit	Indicates the unit of measure for the current reading; values is A (Amps).
Voltage	The value saved in the buffer depends on the measurement function. For more information, see the following table.
Unit	Indicates the unit of measure for the current reading; values is V (Volts).
Math	T when Math is on; F when Math is off.
Output	CC, CV or OFF. For details, see Constant voltage (CV) and constant current (CC) mode (on page 2-79).
Date	Date the readings were made.
Time	Time the readings were made.
Fractional Seconds	Fractional portion of the timestamp (in seconds) when each reading was made. Note, fractional seconds are the fractional part of an absolute timestamp. For example, the fractional part of the 16:17:21.1923 timestamp is .1923.

The current and voltage values in the buffer are different for measurement function.

Measurement function	Current	Voltage
Concurrent (V + I)	Measured value for each current reading	Measured value for each voltage reading
Voltage (V)	Current setting value	Measured value for each voltage reading
Current (I)	Measured value for each current reading	Voltage setting value

For the functions of battery test and battery simulation, the values of ESR and A-H are also saved in the buffer.

Using the front panel to view the contents of the reading buffer:

1. Press the **MENU** key.
2. Under Views, select **Sheet**.
3. Select the button next to Data Sheet. The data is displayed.
4. If you want to view the statistics, select the button next to **Statistics**. The Statistics screen is displayed.
5. Press the button next to **On**. The statistics results are displayed below the data table. To configure the statistics function, see Configuring the statistics applied to data in the buffer

Figure 81: Data sheet in power supply function

Points	Time	Voltage	Current
1	12/03 17:09	+012.0010 V	+00.00000 A
2	17:09:7.57	+012.0010 V	+00.00000 A
3	17:09:7.67	+012.0009 V	+00.00000 A
4	17:09:7.78	+012.0010 V	+00.00000 A
5	17:09:7.88	+012.0010 V	+00.00000 A
6	17:09:7.98	+012.0010 V	+00.00000 A
7	17:09:8.08	+012.0010 V	+00.00000 A

Min: 0.0015 mA Mean: 0.0035 mA Peak-Peak: 0.0054 mA
 Max: 0.0069 mA StDev: 0.0000 mA

6. Press the **HOME** key to return to the Home screen.

Quick Tip

Go to home screen 3. Press the **Date Sheet** soft key to view the buffer.

Using the front panel to save buffer content to files

Using the front panel to save or append buffer content to files:

1. Insert a USB drive into the USB port.
2. Press the **MENU** key.
3. Under Measure, select **Data Buffers**.
4. Select the **Export To USB** button. A keypad is displayed.
5. Enter the name of the file in which to save the readings.

NOTE

You only have to enter the name of the file you want to save. It is not necessary to enter the file extension. All files are saved as `.csv` files.

6. Select **Yes** to confirm saving the file. When the **DATA BUFFERS** window is displayed again, the file is saved.
7. Press the **HOME** key to return to the Home screen.

Using SCPI commands to save buffer content to files

Using SCPI commands to save or append buffer content to files:

Before using any of these commands, insert a USB flash drive into the USB port.

To save readings and default timestamps from the buffer to a file named `my_data.csv` on a USB flash drive, send the following command:

```
:TRACe:SAVE "my_data"
```

To save readings from 1 through 100 and relative timestamps to a file named `test_data.csv` on a USB flash drive, send the following command:

```
:TRACe:SAVE "test_data",REL,1,100
```

For more information, you can refer to [:TRACe\[n\]:SAVE](#) or [:DATA\[n\]:SAVE](#) (on page 7-169).

Configuring the statistics applied to data in the buffer

Reading buffer provides the following statistics: average, minimum, maximum, peak-to-peak, and standard deviation. You can request any of the statistics from the front panel or using SCPI commands in the power supply function.

Specifying the statistics applied to the data in the buffer

Using the front panel:

1. Press the **MENU** key.
2. Under Measure, select **Data Buffers**.
3. Select the **Statistics** button. The Statistics window is displayed.
4. Enable the statistics you want to calculate.

Using the SCPI commands:

To specify the statistics calculations, send the following command:

```
:CALCulate2:FORMat <name>
```

Where <name> can be any of the following options separated by commas:

- MINimum
- MAXimum
- MEAN
- SDEViation
- PKPK

For example, you could enable minimum and maximum calculations by sending:

```
:CALCulate2:FORMat MIN, MAX
```

Specifying the data in the buffer to perform with statistics

You need to select either the voltage or current value in the buffer to perform statistics calculations. When you configure these settings, it will influence the Graph and Data Sheet screen. They also affect the outputs of the following commands:

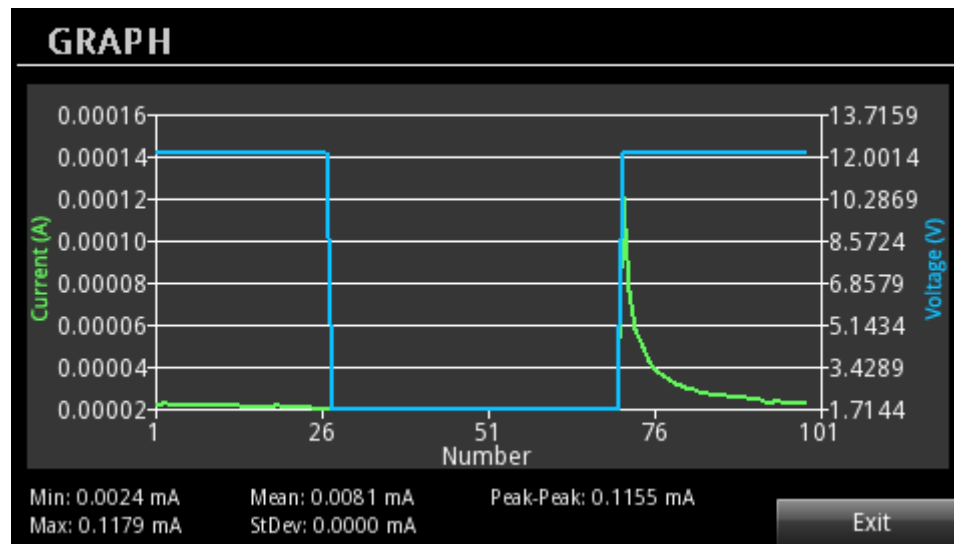
- :CALCulate2:IMMEDIATE?
- :CALCulate2:DATA?

Using the front panel:

1. Press the **MENU** key.
2. Under Measure, select **Data buffers**.
3. Select the button next to **Statistics Function**, and press the **ENTER** key. The function selection window is displayed.
4. Select **Voltage** or **Current**.
5. Press the **EXIT** key to leave the selection window.

For example, if you select current value to perform with statistics and switch the screen to Graph screen, the figure is shown as following.

Figure 82: Graph screen with statistics



Using SCPI commands:

To specify the statistics function as current, send the following command:

```
:CALCulate2:FUNCTion CURRent
```

To specify the statistics function as voltage, replace `CURRent` with `VOLTage`.

Format the statistical results

You can specify the returned data elements for statistical calculations. The elements include value, reading number, unit, and time. You can specify one or more parameters.

NOTE

This only applies to minimum and maximum calculations. For other statistics, you can only view value and unit from front panel, and value using SCPI commands.

Using the front panel:

1. Press the **MENU** key.
2. Under Measure, select **Data Buffers**.
3. Select the button next to **Statistics Format**. The selection window is displayed.
4. Select the parameters you want to show on statistics.
5. If you select **All**, the value, reading number, unit, and time are returned.

You could view the statistics from Data Sheet and Graph screen.

Using the SCPI commands:

To specify data elements to be included in the statistics result, send the command:

```
:CALCulate2:FORMat:ELEMents <item list>
```

Where <item list> includes the following items:

- READing
- UNIT
- RNUMber
- TSTamp

For example, select READ and TSTamp as returned elements by sending:

```
:CALCulate2:FORMat:ELEMents "READING,TSTamp"
```

Clearing buffer

You can clear all readings and statistics from buffer.

The following topics provide information about using the front panel to clear buffer and provide an introduction to using remote commands to clear buffer.

Using the front panel to clear a reading buffer:

1. Press the **MENU** key.
2. Under Measure, select **Data Buffers**.
3. Select **Clear Buffer** to clear the buffer.
4. When the "Are you sure you want to clear buffer" prompt is displayed, press **Yes** to confirm.

Using SCPI commands to clear a buffer:

To clear the buffer, send the following command:

```
:TRACe:CLEar
```

Automatically clearing buffer

Only in the power supply function, you can enable the autoclear function for the buffer. With autoclear enabled, the buffer will automatically clear when the storage process starts.

Using the front panel:

1. Press the **MENU** key.
2. Under Measure, select **Data Buffers**.
3. Select the button next to **Auto Clear**. The selection window is displayed.
4. Select **On** to enable autoclear function.

Using the SCPI commands:

To enable the autoclear function, send the command:

```
:TRACe:CLEAr:AUTO ON
```

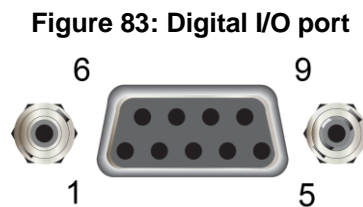
Digital I/O

You can use the 2281S-20-6 digital input/output with the trigger model to control an external digital circuit, such as a device handler that is used to perform binning operations. To control or configure any of the six digital input/output lines, send commands to the 2281S-20-6 over a remote interface.

For more information the trigger model, see [Trigger model](#) (on page 3-27).

Digital I/O port

The digital I/O port uses a standard female DB-9 connector, which is located on the rear panel of the 2281S-20-6. You can connect to the 2281S-20-6 digital I/O using a standard male DB-9 connector. The port provides a connection point to each of the six digital I/O lines and other connections as shown in the following table.



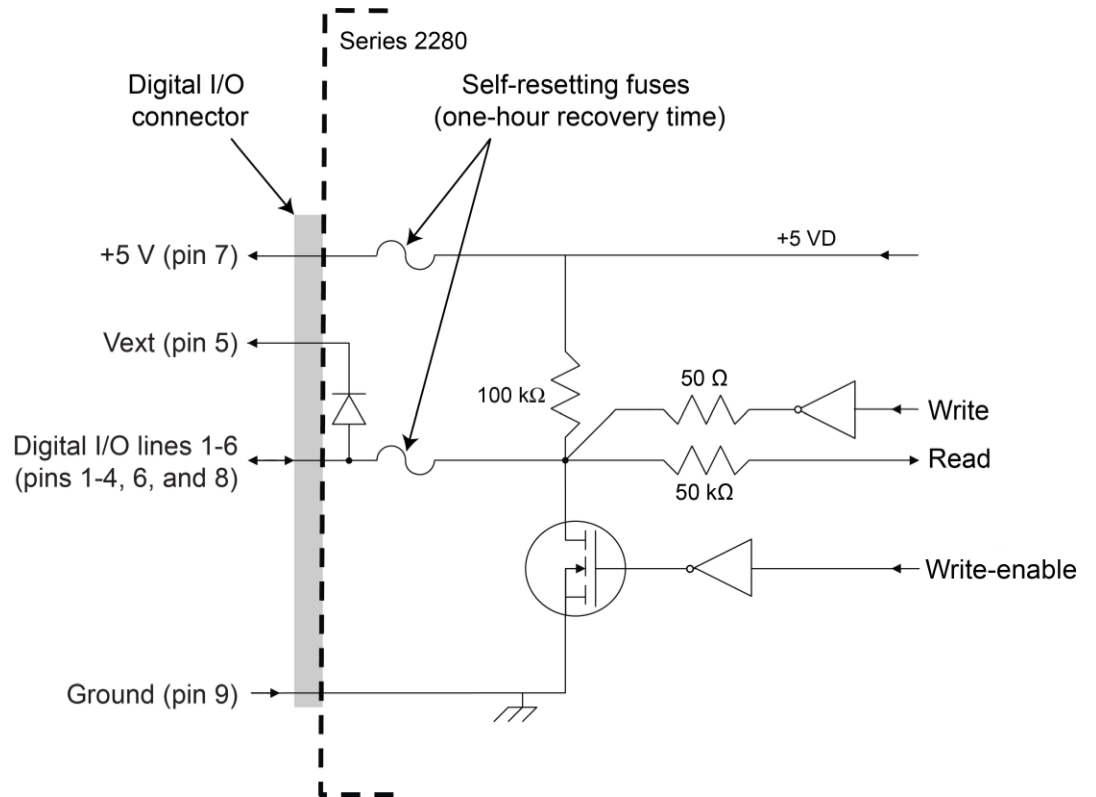
2281S-20-6 digital I/O port pinouts

Pin	Description
1	I/O line 1
2	I/O line 2
3	I/O line 3
4	I/O line 4
5	Vext line (relay flyback diode protection)
6	I/O line 5
7*	+5 V line
8	I/O line 6
9	Ground

* Use this pin to drive external logic circuitry. Maximum current output is 500 mA. This line is protected by a self-resetting fuse.

The following figure shows the basic configuration of the digital I/O port.

Figure 84: Digital I/O port configuration



Digital I/O lines

The following table describes the possible pin configurations for the digital line function and action.

Line mode		Available work mode	Available configurable lines
Trigger in	NA	Power supply, Battery test, Battery simulator	Line 1
Meter complete output	NA	Power supply	Line 2
Fault output	NA	Power supply, Battery test, Battery simulator	Line 3
Digital Out	Sink<>Source Hi V Low V	Battery test, Battery simulator	Line 2, 4 through 6
	CC<>CV End	Battery test	
	Full Empty	Battery simulator	
Digital In	Output On Output Off	Battery test, Battery simulator	Line 2, 4 through 6
	Script Start Script Stop	Battery test	
Manual output high	NA	Power supply, Battery test, Battery simulator	Line 1 through 6
Manual output low	NA	Power supply, Battery test, Battery simulator	Line 1 through 6
Manual input	NA	Power supply, Battery test, Battery simulator	Line 1 through 6

When you place a line in trigger in function, you can detect a pulse on this line. The trigger latency is 5 μ s. The minimum pulse width is 4 μ s. The falling edge of the pulse generates a trigger-in event.

When you place a line in meter complete function, the line is pulled up to logic high (+5 V). When a measurement is completed, the instrument generates a low pulse with the duration of 10 μ s to 30 μ s.

When you place a line in fault output function, the line is pulled up to logic high (+5 V). When an overprotection error or a reverse sense leads error occurs, the line is set to logic low (0 V). After you clear the error from front panel or by using SCPI command, the line is set to logic high. For more information, you can refer to [Overprotection error](#) (on page 2-87).

When you place a line in Digital Out function, you can continue to select the action. The actions can be set to:

- Sink<>Source means the instrument changes between sink and source mode.
- Hi V and Low V respectively indicate that the instrument terminal voltage is higher and lower, respectively, than the settings in Limit trigger.
- CC<>CV means the instrument switch between CC and CV mode.
- End indicates that the instrument now meets the charge or discharge end condition.
- Full and Empty respectively mean that charging the battery simulator to full voltage setting and discharge it to empty setting, respectively.

When you place a line in function Digital In function, there are certain actions you can choose. Output on and Output off respectively indicate that setting the output to on or off, respectively. Script Start and Script Stop mean controlling the script test to start and stop.

You can select the level signal variation for the Digital Out and Digital In as RISE or FALL.

When you place a line in manual output high function, the line is set to logic high (+5 V). Each output line can source up to 2 mA.

When you place a line in manual output low function, the line is set to logic low (0 V). Each output line can sink up to 50 mA.

When you place a line in manual input function, the line is floating. You can read the line status by sending the following command:

For power supply:

```
:DIGital:LINE<n>:MANual:INPut:DATA?
```

For battery test and battery simulator:

```
:BATTery:DIGital:LINE<n>:MANual:INPut:DATA?
```

Where <n> is the digital I/O line. In the return, 1 represents logic high (+5 V), 0 represents logic low (0 V).

Vext line

The digital I/O allows connection to an external voltage through a line (V_{ext}) with a flyback diode clamp. You can connect to the V_{ext} line through the V_{ext} pin (pin 5) and the specified digital I/O line. Use this connection to drive relay coils, a low power solenoid, or similar external inductive circuitry. The externally supplied voltage can be up to +21 V.

 **CAUTION**

Do not apply more than 50 mA (maximum current) or exceed +21 V (maximum voltage) on the digital I/O port. Applying current or voltage exceeding these limits may damage the instrument.

Refer to the following figure for a simplified schematic of a sample control circuit for a relay. You can externally power a different device by replacing the relay coil with the other device. When using the V_{ext} pin to control externally powered devices, make sure to configure the corresponding digital output lines. In the low state (0 V), the output transistor sinks current through the external device. In the high state, the output transistor is off (transistor switch is open). This interrupts current flow through the external device. Most of these types of applications use an active-low (set the bit to 0) to turn the relay on (ON = 0 V).

For example, if you configure line 4 as the digital output line, you can send the following commands to sink relay current:

For power supply:

```
:DIG:LINE4:FUNC:MOU TL
```

For battery test and battery simulator:

```
:BATT:DIG:LINE4:CONF MAN,MOU TL
```

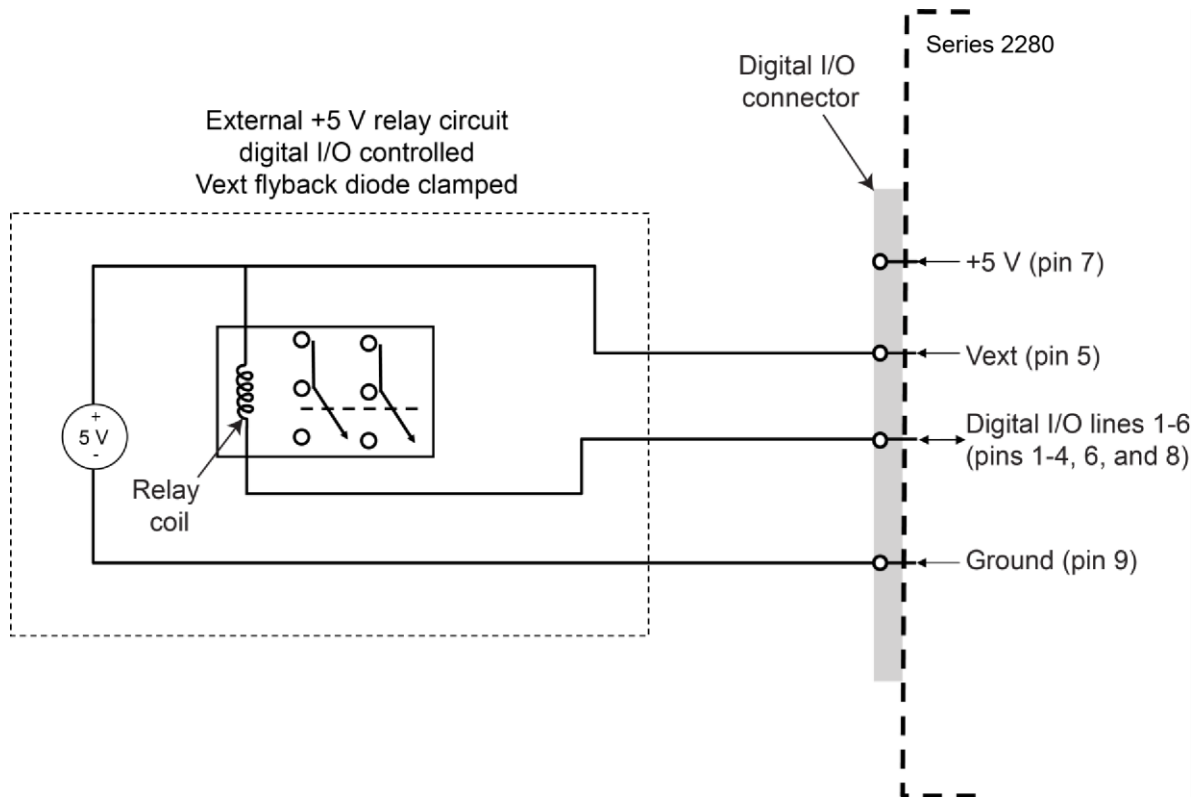
To halt relay current, sent the following commands:

For power supply:

```
:DIG:LINE4:FUNC:MOU TH
```

For battery test and battery simulator:

```
:BATT:DIG:LINE4:CONF MAN,MOU TH
```

Figure 85: Digital I/O Vext (example external circuit)

+5 V line

The digital I/O port provides a +5 V output. You can use this line to drive external logic circuitry. The maximum current output for this line is 500 mA (≥ 4.6 V).

Configuring digital I/O lines

You can use front panel or a remote interface to set up and control the digital I/O lines. See [Remote communication interfaces](#) (on page 2-55) for information on setting up a remote interface.

Using the front panel to configure digital I/O lines

Using the front panel to configure digital I/O lines:

1. Press the **MENU** key.
2. Under Trigger, select **Digital In/Out**.
3. Select the button next to the specified digital I/O line. The line mode window is displayed.
4. Select the mode for the specified digital I/O line. For details, see the following table.

For power supply:

Digital I/O line	Supported line function
1	Trigger in, manual output high, manual output low, and manual input
2	Meter complete output, manual output high, manual output low, and manual input
3	Fault output, manual output high, manual output low, and manual input
4	Manual output high, manual output low, and manual input
5	Manual output high, manual output low, and manual input
6	Manual output high, manual output low, and manual input

For battery test:

Digital I/O line	Function	Action
1	Trigger in, manual output high, manual output low, and manual input	
2	Digital Out, Digital In, manual output high, manual output low, and manual input	Digital Out : Sink<>Source, Hi V, Low V, CC<>CV, End Digital In : Output On, Output Off, Script Start, Script Stop
3	Fault output, manual output high, manual output low, and manual input	
4	Digital Out, Digital In, manual output high, manual output low, and manual input	Digital Out : Sink<>Source, Hi V, Low V, CC<>CV, End Digital In : Output On, Output Off, Script Start, Script Stop
5	Digital Out, Digital In, manual output high, manual output low, and manual input	Digital Out : Sink<>Source, Hi V, Low V, CC<>CV, End Digital In : Output On, Output Off, Script Start, Script Stop
6	Digital Out, Digital In, manual output high, manual output low, and manual input	Digital Out : Sink<>Source, Hi V, Low V, CC<>CV, End Digital In : Output On, Output Off, Script Start, Script Stop

For battery simulator:

Digital I/O line	Function	Action
1	Trigger in, manual output high, manual output low, and manual input	
2	Digital Out, Digital In, manual output high, manual output low, and manual input	Digital Out : Sink<>Source, Hi V, Low V, Full, Empty Digital In : Output On, Output Off
3	Fault output, manual output high, manual output low, and manual input	
4	Digital Out, Digital In, manual output high, manual output low, and manual input	Digital Out : Sink<>Source, Hi V, Low V, Full, Empty Digital In : Output On, Output Off
5	Digital Out, Digital In, manual output high, manual output low, and manual input	Digital Out : Sink<>Source, Hi V, Low V, Full, Empty Digital In : Output On, Output Off
6	Digital Out, Digital In, manual output high, manual output low, and manual input	Digital Out : Sink<>Source, Hi V, Low V, Full, Empty Digital In : Output On, Output Off

NOTE

When you set the arm source or trigger source to external, digital I/O line 1 will be set to trigger in automatically.

Using SCPI commands to configure digital I/O lines

Using SCPI commands to configure digital I/O lines:

To set the line mode to the specified line, send the following commands:

For power supply:

```
:DIGital:LINE<n>:FUNctIon <function>
```

For battery test and battery simulator:

```
:BATTeRy:DIGital:LINE<n>:CONFigure <function>[,<action>]
```

Where <n> is the digital line and <function> is line function.

You can also read the digital I/O line by sending the commands:

For power supply:

```
:DIGital:line<n>:MANual:INPut:DATA?
```

For battery test and battery simulator:

```
BATTeRy:DIGital:LINE<n>:MANual:INPut:DATA?
```

Where <n> is the digital line.

NOTE

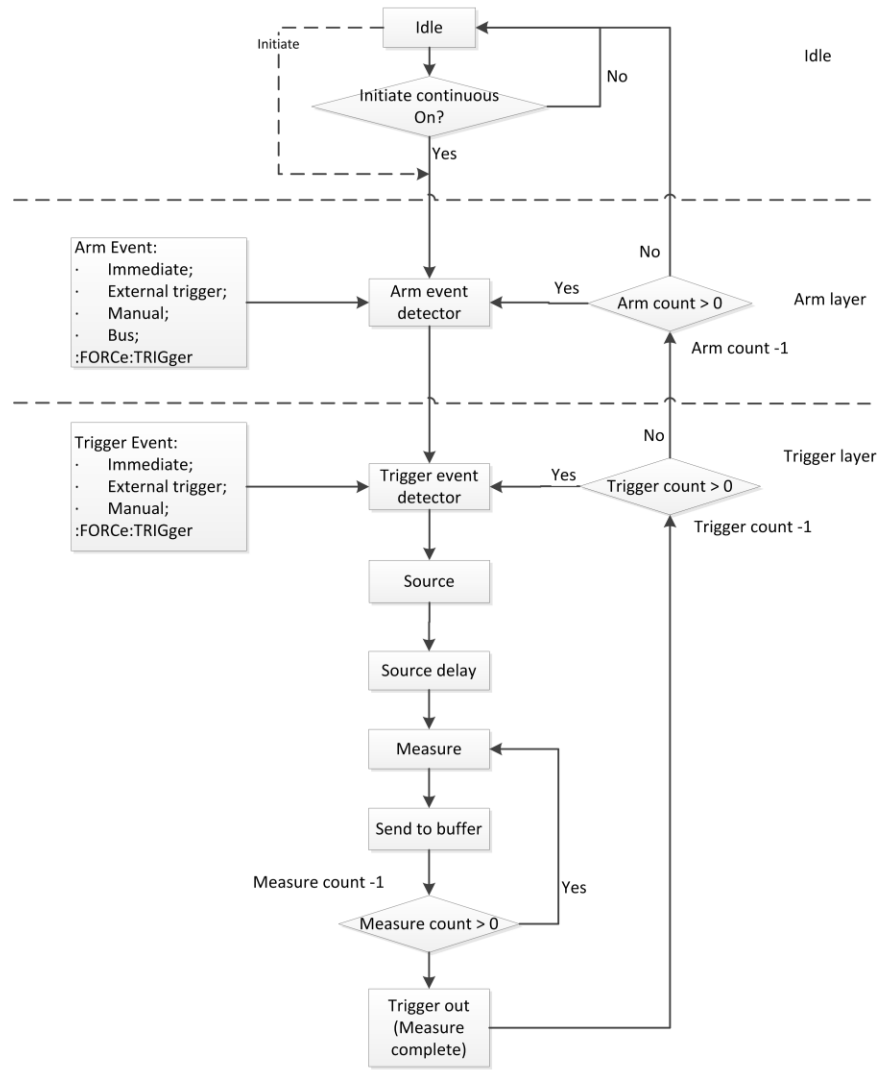
Only when the digital I/O line is set to manual input, sending this query command will return the value. Otherwise, the instrument generates error 508, "Querying manual input data of the line which is not set as Manual Input line."

Trigger model

The trigger model controls the sequence in which measurements occur. It consists of two layers (Arm Layer and Trigger Layer) to provide versatility.

Programmable counters allow operations to be repeated, and various input and output trigger options are available to provide source-measure synchronization.

Figure 86: Trigger model



Idle and initiate

The instrument is in idle when it is not operating in the Arm layer or Trigger layer of the trigger model. While in the idle state, the instrument cannot perform any measurements. You can send the following commands to initiate the trigger model:

- `:INITiate`
- `:INITiate:CONTinuous`
- `:READ?`
- `:MEASure:<function>?`

Arm layer

The programmable arm events for the arm layer are described as follows:

- **Immediate:** Event detection occurs immediately, allowing operation to continue.
- **Bus:** Event detection occurs when a bus trigger (`*TRG`) is received.
- **External Trigger:** Event detection occurs when an input trigger is sent via the Digital IO port.
- **Manual:** Event detection occurs when the **TRIGGER** key is pressed.

Trigger layer

The programmable sources for trigger layer are described as follows:

- **Immediate:** Event detection occurs immediately allowing operation to continue. Operation proceeds through the Trigger Layer to perform the Source, Delay, and Measure actions.
- **External Trigger:** Event detection occurs when an input trigger via the digital I/O port. For details, see [Digital I/O](#) (on page 3-19).
- **Manual:** Event detection occurs when the **TRIGGER** key is pressed.

Source, source delay and measure actions

The source-delay-measure (SDM) cycle consists of three actions: Source, Delay, and Measure:

- **Source:** Programmed output current or voltage level changes are performed. It also performs the programmed slew rate during the level changes when slew function is enabled.
- **Delay:** This programmable delay is used to allow the source to settle before a measurement is performed. It can be manually set from 0.0000 to 99.9999 seconds.
- **Measure:** During this phase of the SDM cycle, the measurement process takes place. It makes the voltage or current measurements as determined by different measurement functions. For details about the measurement function, you can refer to [Select a measurement function](#) (on page 2-80).

Counter

Programmable counters are used to repeat operations within the trigger model layers. For example, if performing a 10-point list, the trigger counter would be set to 10, and measure counter to 1. Operation will stay in the Trigger Layer until the 10 source-delay-measure points of the list are performed.

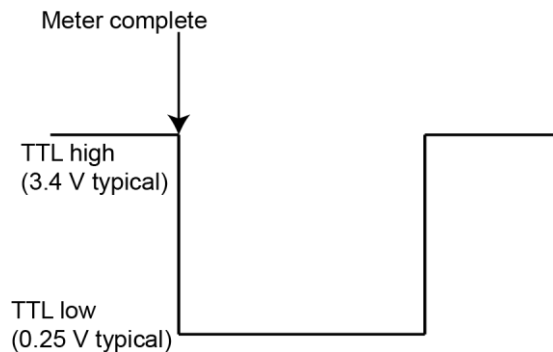
If you wanted to repeat the list three times, the arm counter would be set to three. Three 10-point sweeps can then be performed for a total of 30 source-delay-measure actions.

Meter complete

The instrument can be programmed to output a trigger via rear panel digital I/O line after the measurement completes. An output trigger can be used to trigger another instrument to perform an operation.

You can specify one pin to generate the meter complete output pulse. For details, see [Digital I/O](#) (on page 3-19).

Figure 87: Meter complete output signal



Running the trigger model

You can run the trigger model when the instrument is controlled either locally or remotely. If the instrument is being controlled locally, you can quickly configure the trigger model without setting up trigger source and trigger count in trigger layer. Trigger source is set to immediate triggering and trigger count is set to 1.

To set up trigger model from front panel:

1. Press the **Menu** Key.
2. Under Trigger, highlight the **Configure** icon and press **ENTER**. The trigger configure screen is displayed.
3. Select the button next to **Idle**. Press the **ENTER** key to enable the continuous initiation.

NOTE

With continuous initiation enabled (INIT:CONT ON), the instrument continuously performs measurements. With continuous initiation disabled (INIT:CONT OFF), the instrument returns to idle state after all measurements are complete, which is based on the product of arm count, trigger count and sample count. When the instrument is in idle, pressing the **TRIGGER** key can initiate the trigger model.

4. Select the button next to **Arm Source** and press **ENTER**. The arm source selection screen is displayed.

NOTE

You can select immediate, external and manual triggering from front panel. Bus triggering is only supported by SCPI commands. You can also quickly set up the arm source by pressing **HOME > Acquire**.

5. Select the button next to **Sample Count** and press **ENTER**. The sample count editing screen is displayed. The maximum sample count is 2500.

NOTE

If you set the arm source to External, you need to configure Digital I/O. For details, refer to [Digital I/O](#) (on page 3-19).

If the instrument is being controlled remotely, you can configure any of the parameters discussed above. Note that if you change from remote to local control, the trigger model measurement method remains selected until you change it. The following table lists the commands related to trigger model.

SCPI command	Description
:ARM[:SEQuence[n]]:COUNt (on page 7-18)	Set the number of times to repeat the arm event.
:ARM[:SEQuence[n]]:SOURce (on page 7-18)	Select the control source for the arm layer. The available control sources are: <ul style="list-style-type: none"> • Immediate triggering • External triggering • Manual triggering • Bus triggering
:TRIGger[:SEQuence[n]]:SOURce (on page 7-176)	Select the control source for the arm layer. The available control sources are: <ul style="list-style-type: none"> • Immediate triggering • External triggering • Manual triggering; for details, see the example Perform a fast current load measurement
:TRIGger[:SEQuence[n]]:COUNt (on page 7-174)	Set the number of times to repeat the trigger event.
:TRIGger[:SEQuence[n]]:SAMPle:COUNt (on page 7-175)	Set the number of measurement per trigger event.
:FORCe:TRIGger (on page 7-15)	Bypass the control source (Arm layer or Trigger layer) when you do not wish to wait for the programmed event to occur.
:INITiate[n]:IMMediate (on page 7-95)	Start the trigger model.
:INITiate[n]:CONTinuous (on page 7-95)	Enable and disable continuous triggering.
:ABORt[n] (on page 7-11)	Stop all trigger model commands on the instrument.

For more examples on trigger model, refer to Perform a fast current load measurement.

Level trigger

You can configure a triggering condition to start to log the data in the data buffer during the test. You can specify that the trigger execute when the voltage or current rises above or falls below a specified level.

Configuring a voltage level trigger

To configure a voltage level trigger from the front panel:

1. Press the **Menu** key.
2. Under **Trigger**, select **Level** and press the **ENTER** key. The **LEVEL TRIGGER** screen is displayed.
3. Select the button next to **Voltage** and press the **ENTER** key.
4. Click **On**.
5. Select the button next to **Voltage Level** and press the **ENTER** key.
6. Set the threshold voltage value for the trigger.
7. Select the button next to **Voltage Direction** and press the **ENTER** key.
8. Choose the direction for the trigger.
9. Select the button next to **Offset** and press the **ENTER** key.
10. Set how many points will be saved before the level trigger is activated.

To configure a voltage level trigger, send the following SCPI commands:

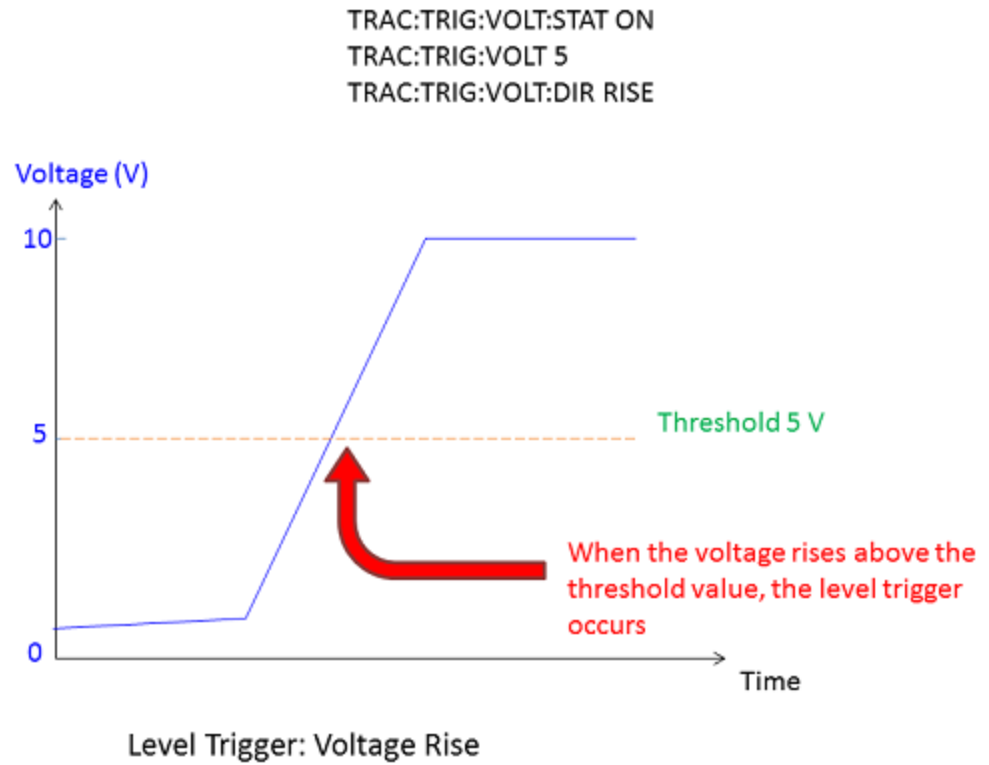
```
:TRACe[n]:TRIGger:VOLTage:STATe
:TRACe[n]:TRIGger:VOLTage[:LEVel]
:TRACe[n]:TRIGger:VOLTage:DIRection
:TRACe[n]:TRIGger:OFFSet
```

NOTE

When the level trigger is activated, it clears the data in the buffer except the points specified by the Offset setting.

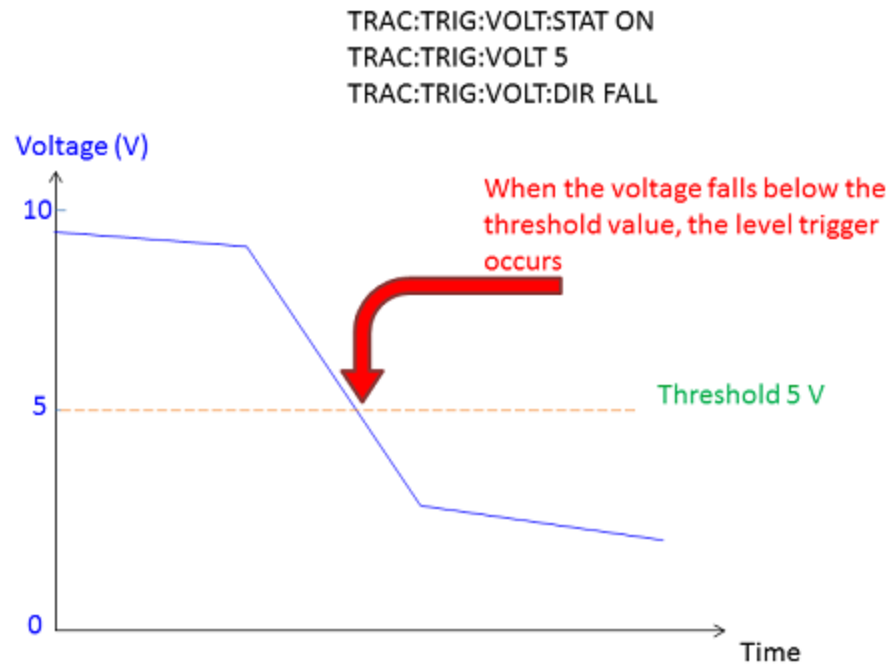
The following figure illustrates how the level trigger is activated when the voltage rises.

Figure 88: Voltage level trigger (rise)



The following figure illustrates how the level trigger is activated when the voltage falls.

Figure 89: Voltage level trigger (fall)



Level Trigger: Voltage Fall

Configuring a current level trigger

To configure a current level trigger from the front panel:

1. Press the **Menu** key.
2. Under **Trigger**, select **Level** and press the **ENTER** key. The **LEVEL TRIGGER** screen is displayed.
3. Select the button next to **Current** and press the **ENTER** key.
4. Click **On**.
5. Select the button next to **Current Level** and press the **ENTER** key.
6. Set the threshold current value for the trigger.
7. Select the button next to **Current Direction** and press the **ENTER** key.
8. Choose the direction for the trigger.
9. Select the button next to **Offset** and press the **ENTER** key.
10. Set how many points will be saved before the level trigger is activated.

To configure a current level trigger, send the following SCPI commands:

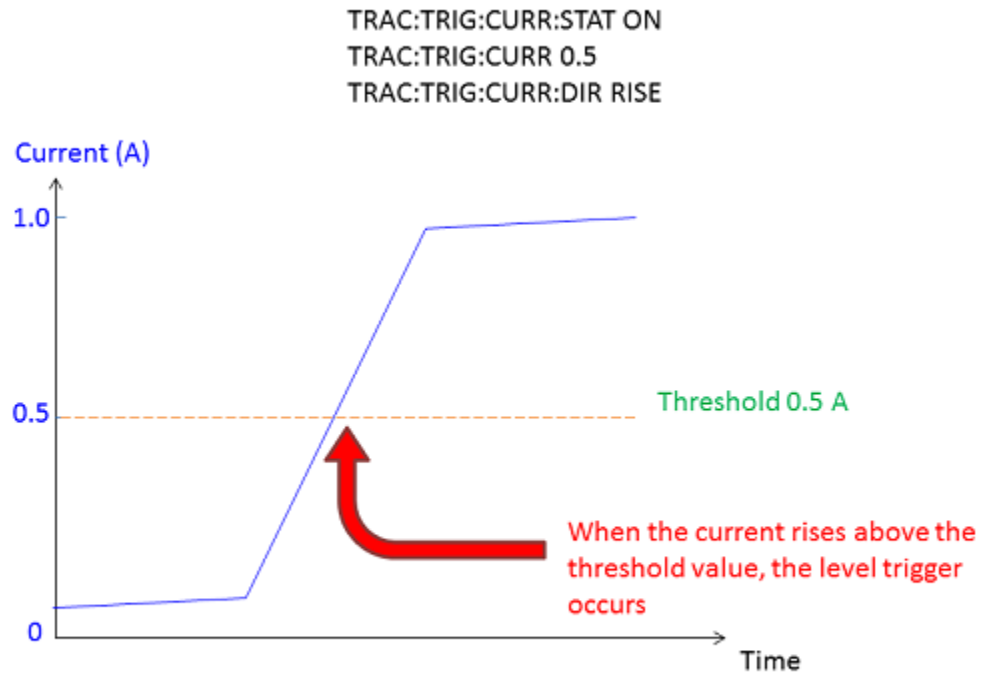
```
:TRACe[n]:TRIGger:CURRent:STATe
:TRACe[n]:TRIGger:CURRent[:LEVel]
:TRACe[n]:TRIGger:CURRent:DIRection
:TRACe[n]:TRIGger:OFFSet
```

NOTE

When the level trigger is activated, it clears the data in the buffer (except the points specified by the Offset setting).

The following figure illustrates how the level trigger is activated when the current rises.

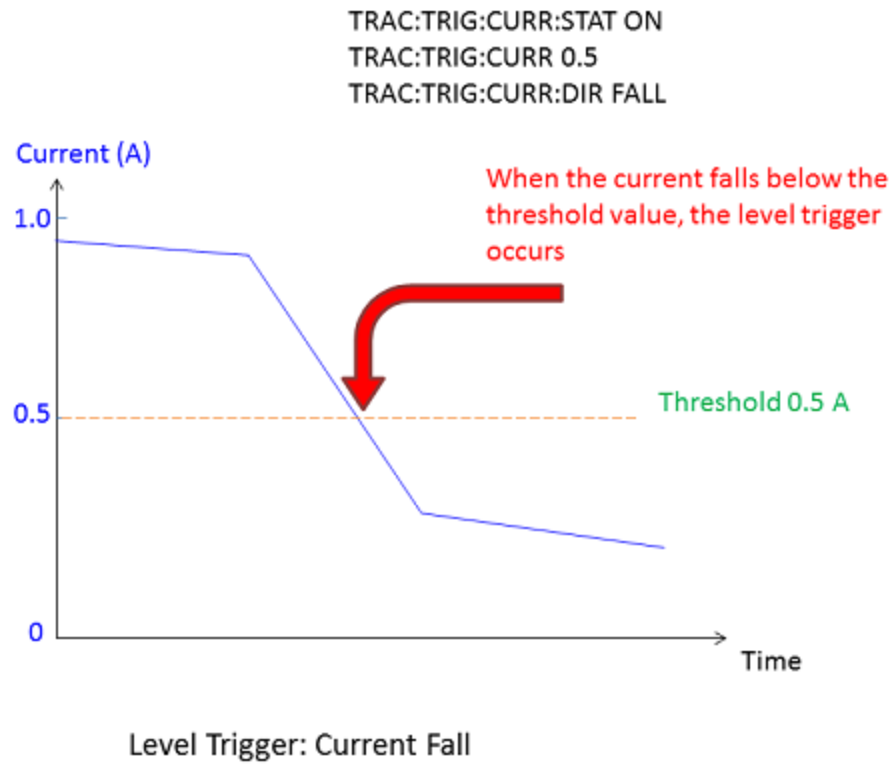
Figure 90: Current level trigger (rise)



Level Trigger: Current Rise

The following figure illustrates how the level trigger is activated when the current falls.

Figure 91: Current level trigger (fall)



List operation

In the power supply function, lists allow you to set up the instrument to source specific voltage and current values to a device under test (DUT). You can specify up to 99-step points of voltage and current limit. You can also specify a different dwell time for each step.

When you run a list, the instrument uses the trigger model that contains the settings you selected for the list. To start a list, press **HOME** > **List** > **Enable**. You can also use an initiate command over the remote interface.

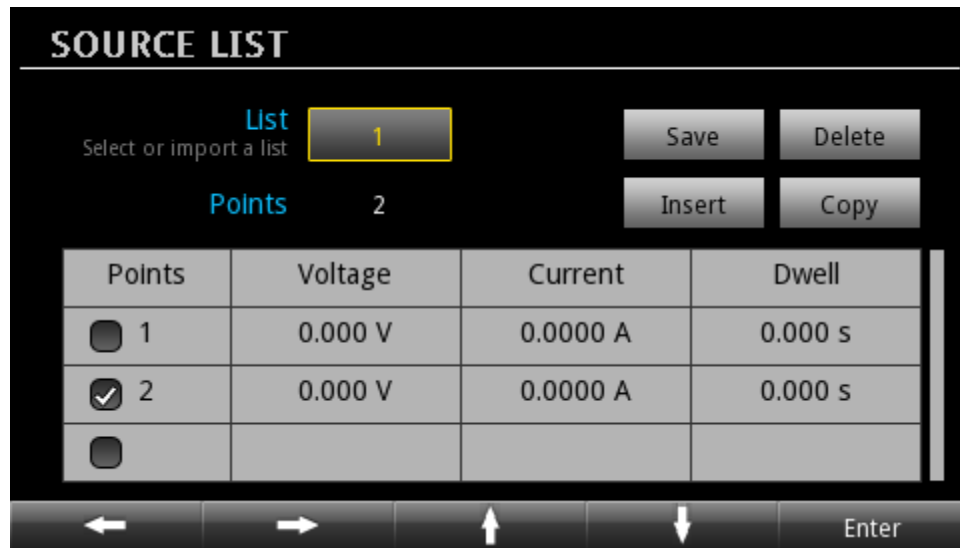
Configuring a list

To set up a list from the front panel, you select options from the Source List screen.

To configure a list on the front panel

1. Press the **Menu** key.
2. Under Source, highlight the **List** icon using either the navigation control or the soft keys. Press the **ENTER** key. The Source List screen is displayed.

Figure 92: Source List screen



3. Select the button next to **List** and press the **ENTER** key. The List Location screen is displayed.
4. Select a list location where you want to save the list and press the **ENTER** key. The 2281S-20-6 supports up to 9 list locations. You can also import a predefined list from external USB flash driver. For details, refer to Importing a list from an external USB flash drive.
5. Use **Insert** or **Copy** button to increase the points of the list. For details, refer to [Inserting or copying points from the front panel](#) (on page 3-38). Use **Delete** button to delete the points. For details, refer to [Deleting points from the front panel](#) (on page 3-38).

NOTE

You can use **Insert** button to add one point with default settings before each specified point. The default settings are: 0.000 V, 0.100 A, 0.100 s. You can also use **Copy** button to copy the selected settings of the point and insert a new point with the same settings before each point.

For an empty list, you can add the first point by selecting point 1 and press the **ENTER** key. The first point is configured to the default settings.

6. After adding points to the list, select the Voltage box, Current box or Dwell box in the specified point row. Press the **ENTER** key. The editing window is displayed. You can use the numerical keys or the navigation control to change the value.
7. Select the **Save** button to store the list in memory location.
8. Enter a name for the list on the displayed keypad and press **ENTER**.

To configure a list using SCPI commands:

To set up list 1 with 6 points listed in the following table, send these commands:

```
:LIST1:CURR "1,1,1"
:LIST1:VOLT "5,10,15"
:LIST1:DWEL "2,2,2"
:LIST1:CURR:APPE "2,2,2"
:LIST1:VOLT:APPE "5,10,15"
:LIST1:DWEL:APPE "3,3,3"
:LIST:SAVE:INTE 1
```

Points	Voltage (V)	Current (A)	Dwell (s)
1	5	1	2
2	10	1	2
3	15	1	2
4	5	2	3
5	10	2	3
6	15	2	3

Inserting or copying points from the front panel

To insert or copy one or more points from the front panel:

1. Highlight the Points cell of the row you want to insert.
2. Press **ENTER** to select the cell row. You can repeat steps 1 and 2 to select multiple points.
3. Navigate to **Insert** or **Copy**.
4. Press **ENTER**.

Deleting points from the front panel

To delete one or more points from the front panel:

1. Highlight the Points cell of the row you want to delete.
2. Press **ENTER** to select the cell row. You can repeat steps 1 and 2 to select multiple points.
3. Navigate to **Delete**.
4. Press **ENTER**.

Importing a list from an external USB flash drive

If you have created or saved a list file (.csv file), you can import the list from external USB flash drive. See the following figure for an example of a list .csv file.

Figure 93: Example of a list sheet

2281-20-6		
Voltage	Current	Dwell
1	2	3
2	2	3
3	2	3
4	2	3
5	2	3
6	2	3
7	2	3
8	2	3
9	2	3
10	2	3

NOTE

Before importing a list, make sure the external USB flash drive is connected to the instrument.

To import a list from USB flash drive on the front panel:

1. Press the **Menu** key.
2. Under Source, highlight the **List** icon using either the navigation control or the soft keys. Press the **ENTER** key. The Source List screen is displayed.
3. Navigate to **Import**. Press the **ENTER** key. The list file selection screen is displayed.
4. Select a list that you want to import to the instrument and press **ENTER**. The list location selection screen is displayed.
5. Enter a list location where you want to save the list and press **ENTER**.

NOTE

When you import a .csv file, make sure the file name is less than 8 characters. If the file name is more than 8 characters, the file is not imported to the instrument and a warning screen is displayed.

To import a list from the external USB flash drive, send the following command:

```
:LIST:LOAD:USB <list number>,<file name>
```

Where <list number> is the list number from 1 to 9. <file name> is the file name that contains a name for the imported list. The maximum number of characters is 8.

Exporting a list to an external USB flash drive

After you have configured the list, you can export the list to an external USB flash drive.

To export a list to USB flash drive on the front panel:

1. Press the **Menu** key.
2. Under Source, highlight the **List** icon using either the navigation control or the soft keys. Press the **ENTER** key. The Source List screen is displayed.
3. Navigate to **Export**. Press the **ENTER** key. The list number selection screen is displayed.
4. Enter a list number you want to export to the USB flash drive. Press **ENTER**. The specified list is saved to a .csv file on the USB flash drive. The file name is the same as the list name.

To export a list to USB flash drive using SCPI command:

To export a list to the external USB flash drive, send the following command:

```
:LIST:SAVE:USB <list number>,<file name>
```

Where <list number> is the list number from 1 to 9. <file name> is the file name that contains a name for the saved list. The maximum number of characters is 8.

Running a list

Before running a list, set up the instrument for the test you will run. Typical settings you can set for a list include:

- Source settings: source delay, slew rate, voltage and current protection limits, and output delay
- Measure settings: measurement function and range
- Trigger model

NOTE

When you choose **V** mode in the **Measure** menu on the front panel to run a list, the **I** value will be displayed in grey dashes in CC mode.

When you choose **I** mode in the **Measure** menu on the front panel to run a list, the **V** value will be displayed in grey dashes in CV mode.

When you run a list, you cannot change the following settings from front panel or using SCPI commands. Sending the following commands cause an error 210, "Not permitted with list enabled."

Source settings

Setting	Front-panel operations	SCPI commands
V-Set	<ul style="list-style-type: none"> • MENU > Source Settings > V-Set • HOME > V-Set 	<ul style="list-style-type: none"> • [:SOURce[n]]:<function>[:LEVel][:IMMediate][:AMPLitude]
I-Limit	<ul style="list-style-type: none"> • MENU > Source Settings > I-Limit • HOME > I-Limit 	<ul style="list-style-type: none"> • [:SOURce[n]]:<function>[:LEVel][:IMMediate][:AMPLitude]
Output delay	<ul style="list-style-type: none"> • MENU > Source Settings > Output Delay • MENU > Source Settings > Delay Rise • MENU > Source Settings > Delay Fall 	<ul style="list-style-type: none"> • :OUTPut:DElay:STATe (on page 7-99) • :OUTPut:DElay:RISing (on page 7-98) • :OUTPut:DElay:FALLing (on page 7-97)
Slew rise/fall	<ul style="list-style-type: none"> • MENU > Source Settings > Slew Rise • MENU > Source Settings > Slew Fall 	<ul style="list-style-type: none"> • [:SOURce[n]]:VOLTage:SLEW:RISing (on page 7-117) • [:SOURce[n]]:VOLTage:SLEW:FALLing (on page 7-118)
OVP/OCP/VMax	<ul style="list-style-type: none"> • MENU > Source Protect > Over Voltage Protection • MENU > Source Protect > Over Current Protection • MENU > Source Protect > Maximum Voltage • HOME > Protect > OVP • HOME > Protect > OCP • HOME > Protect > VMax 	<ul style="list-style-type: none"> • [:SOURce[n]]:<function>:PROTection[:LEVel] • [:SOURce[n]]:VOLTage:LIMit[:AMPLitude]
Source delay	<ul style="list-style-type: none"> • MENU > Source Delay > Source Delay • MENU > Source Delay > State 	<ul style="list-style-type: none"> • [:SOURce[n]]:DElay (on page 7-114) • [:SOURce[n]]:DElay:STATe (on page 7-114)

Measure settings

Setting	Front-panel operations	SCPI commands
Measurement function	<ul style="list-style-type: none"> MENU > Measure Settings > Function HOME > Measure 	<ul style="list-style-type: none"> :SENSe[n]:FUNCtion (on page 7-101)
Range	<ul style="list-style-type: none"> MENU > Measure Settings > Range HOME > Range 	<ul style="list-style-type: none"> :SENSe[n]:<function>:RANGe :SENSe[n]:<function>:RANGe:AUTO (on page 7-109)
Digits	<ul style="list-style-type: none"> MENU > Measure Settings > Digits 	<ul style="list-style-type: none"> :SENSe[n]:<function>:DIGits (on page 7-106)
Auto Zero	<ul style="list-style-type: none"> MENU > Measure Settings > Auto Zero 	<ul style="list-style-type: none"> :SYSTem:AZERo[n]:STATe (on page 7-147)
NPLC	<ul style="list-style-type: none"> MENU > Measure Settings > NPLC 	<ul style="list-style-type: none"> :SENSe[n]:<function>:NPLCycles (on page 7-107)
Resolution	<ul style="list-style-type: none"> HOME > Resolution 	<ul style="list-style-type: none"> :SENSe[n]:<function>:RESolution (on page 7-113)
Relative	<ul style="list-style-type: none"> MENU > Rel/Filter Settings > Rel State MENU > Rel/Filter Settings > Rel Acquire MENU > Rel/Filter Settings > Reference HOME > Calculate > Rel 	<ul style="list-style-type: none"> :SENSe[n]:<function>:REFerence:STATe (on page 7-112) :SENSe[n]:<function>:REFerence :SENSe[n]:<function>:REFerence:ACQuire (on page 7-111)
Filter	<ul style="list-style-type: none"> MENU > Rel/Filter Settings > Filter State MENU > Rel/Filter Settings > Count MENU > Rel/Filter Settings > Window HOME > Calculate > Filter 	<ul style="list-style-type: none"> :SENSe[n]:<function>:AVERage:STATe (on page 7-103) :SENSe[n]:<function>:AVERage:COUNT (on page 7-102) :SENSe[n]:<function>:AVERage:TCONtrOl (on page 7-104) :SENSe[n]:<function>:AVERage:WINDow (on page 7-105)
Math	<ul style="list-style-type: none"> MENU > Math Settings > State MENU > Math Settings > m (Gain) MENU > Math Settings > b (Offset) MENU > Math Settings > Units MENU > Math Settings > Buffer Data Type HOME > Calculate > Math 	<ul style="list-style-type: none"> :CALCulate[1]:<function>:FORMat (on page 7-67) :CALCulate[1]:<function>:KMATH:MBFactor (on page 7-68) :CALCulate[1]:<function>:KMATH:MMFactor (on page 7-69) :CALCulate[1]:<function>:KMATH:MUNits (on page 7-71) :CALCulate[1]:<function>:STATe (on page 7-72)

Data buffer settings

Setting	Front-panel operations	SCPI commands
Buffer	<ul style="list-style-type: none"> MENU > Data Buffers > Size MENU > Data Buffers > Mode MENU > Data Buffers > Auto Clear MENU > Data Buffers > Units 	<ul style="list-style-type: none"> :TRACe[n]:CLEar:AUTO or :DATA[n]:CLEar:AUTO (on page 7-162) :TRACe[n]:FEED or :DATA[n]:FEED (on page 7-166) :TRACe[n]:CLEar or :DATA[n]:CLEar (on page 7-161) :TRACe[n]:FEED:CONTRol or :DATA[n]:FEED:CONTRol (on page 7-167)

Trigger settings

Setting	Front-panel operations	SCPI commands
Trigger	<ul style="list-style-type: none"> • MENU > Trigger Configure > List Type • MENU > Trigger Configure > Idle • MENU > Trigger Configure > Arm Source • MENU > Trigger Configure > Arm Count • MENU > Trigger Configure > Trigger Source • MENU > Trigger Configure > Trigger Count • MENU > Trigger Configure > Sample Count • HOME > Acquire 	<ul style="list-style-type: none"> • :TRIGger[SEQuence[n]]:SOURce (on page 7-176) • :TRIGger[SEQuence[n]]:COUNt (on page 7-174) • :TRIGger[SEQuence[n]]:SAMPle:COUNt (on page 7-175) • :ARM[SEQuence[n]]:COUNt (on page 7-18) • :ARM[SEQuence[n]]:SOURce (on page 7-18) • :INITiate[n]:CONTInuous (on page 7-95)

System settings

Setting	Front-panel operations	SCPI commands
Recall	MENU > System Save/Recall > Recall	• *RCL (on page 7-6)
Product Demo	MENU > System Information > Demo	Not applicable
Calibration	MENU > System Information > Run calibration	• CALibration subsystem (on page 7-81)

Configuring list mode

After configuring a list, you can run this list from front panel.

To run a list from front panel:

1. Press the **HOME** key.
2. Press the **Next** soft key twice to navigate to the 3rd Home screen.
3. Press the **List** soft key. The list settings screen is displayed.
4. Make selections appropriate to your list. See the table below for detail on the options.
5. Press the **Enable** soft key to run the list.

Front-panel list options

Option	Description
Number	Specify the list you want to execute. The list number is from 1 to 9. The default setting for list number is Demo. You can run a predefined list. For details, see System Information menu (on page 2-27).
Hold Time	Select one of the following hold time modes for the test: <ul style="list-style-type: none"> Time: If you choose this mode, one list step runs until the dwell time. To set up the dwell time, refer to Configuring a list (on page 3-37). Point: If you choose this mode, one list step runs until the preset number of points is reached. To set up the number of points (sample count), refer to Running the trigger model (on page 3-30). You can also set the list running time by using the SCPI command: <code>[:SOURce [n]] :LIST:HTIME</code> (on page 7-122)
End Zero	The voltage and current source level at which the list stops: <ul style="list-style-type: none"> On: The list ends at 0 V with current limit 0.1 A. Off: The list ends at the last source values.
Mode	You can select the following list modes: <ul style="list-style-type: none"> Step: When a trigger occurs, the instrument only outputs one list step. After each list step, the instrument generates a measure complete signal. Sweep: When a trigger occurs, the instrument outputs all the list steps. After each list cycle, the instrument will generate a measure complete pulse. For details, refer to List triggering (on page 3-44).
Cycle	How many times the list should repeat. You can set a specific number of times to repeat.

NOTE

When you run a list, turning the output off by pressing the **OUTPUT** switch aborts the list automatically.

List triggering

Before running a list, you need to configure list triggering. The list triggering is very similar to common triggering. However, list triggering introduces dwell time to control the source-delay-measure cycle. For more information about the common triggering, refer to [Trigger model](#) (on page 3-27).

When running a list from the front panel, you only need to configure the arm source and a sample count for the trigger model. For other parameters, the instrument changes the settings according to the list configuration.

Parameters	Value
Trigger source	Immediate
Trigger count	List point
Arm count	List cycle
Initiate continuous state	Off

NOTE

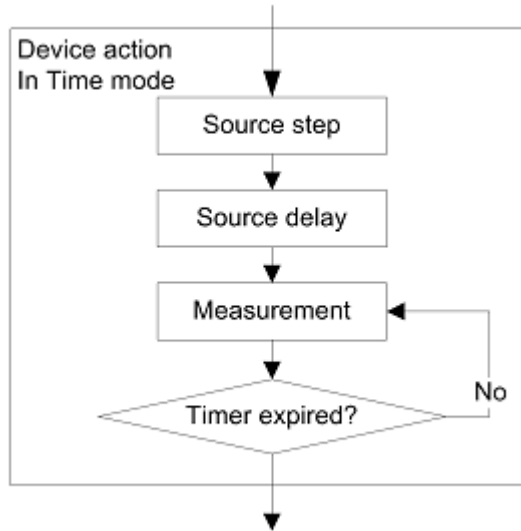
Once the instrument finishes the list, it goes to idle mode. You can press the **TRIGGER** key to run the list again.

When executing a list using SCPI commands, you need to set up the trigger model to match the list configuration. For details, refer to [Configure and execute a 10-step linear list sweep](#).

List running time

Depending on the Hold Time you select in the front-panel list options, there are two types of device actions during list running:

Figure 94: Device action in time mode

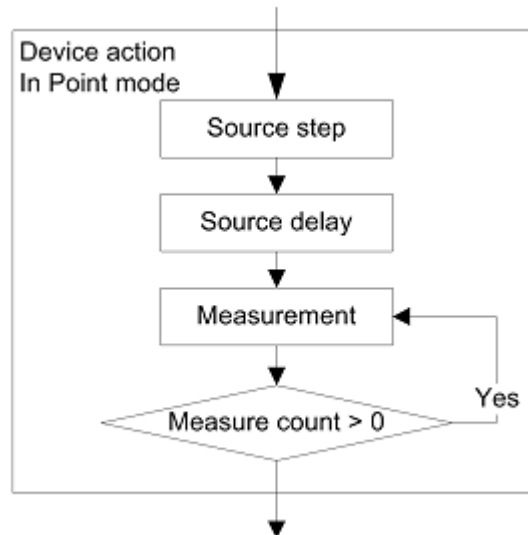


For list running time in Time mode:

$$\text{Measurement time} = \text{Dwell} - \text{Source Delay}$$

$$\text{Sample Count} = \text{Measurement Time} / \text{Sample Speed}$$

Figure 95: Device action in point mode



For list running time in Point mode:

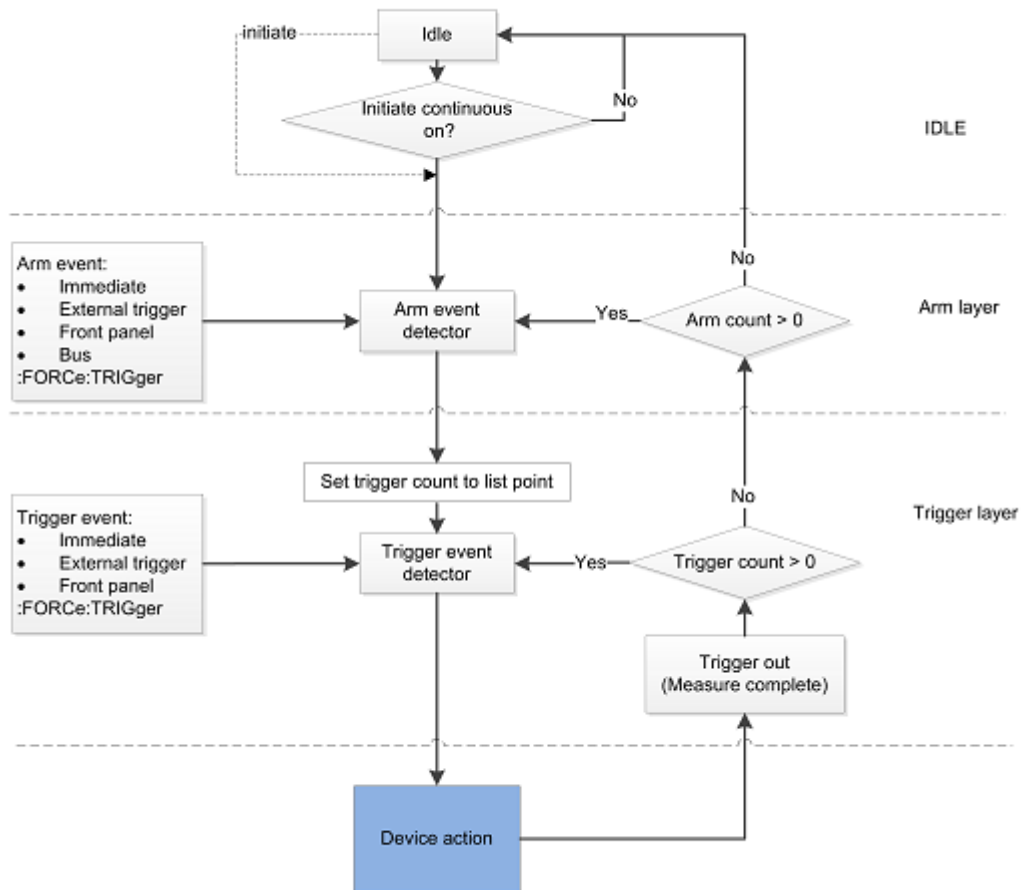
$$\text{Measurement Time} = \text{Sample Count} * \text{Sample Speed}$$

The set dwell time is ignored.

Step mode triggering

For step mode, after each list steps, the instrument generates a measure complete signal. You can detect this signal in digital I/O line 2. For details, refer to [Digital I/O](#) (on page 3-19).

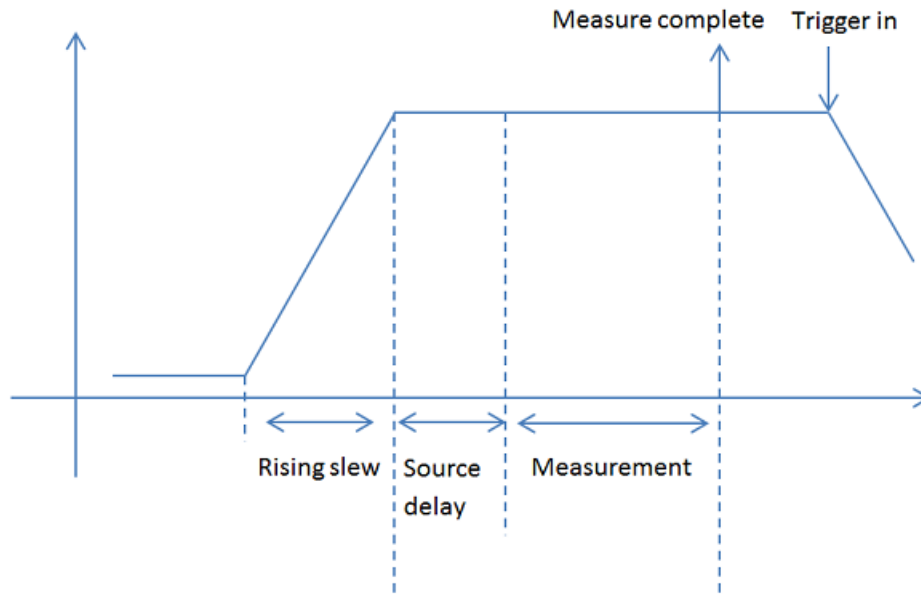
Figure 96: Step mode triggering



As shown in the figure above, the device action can be any mode described in [List running time](#) (on page 3-45). The measurement time is decided accordingly.

The following figure explains the process of measurement for step mode:

Figure 97: Step mode measurement time



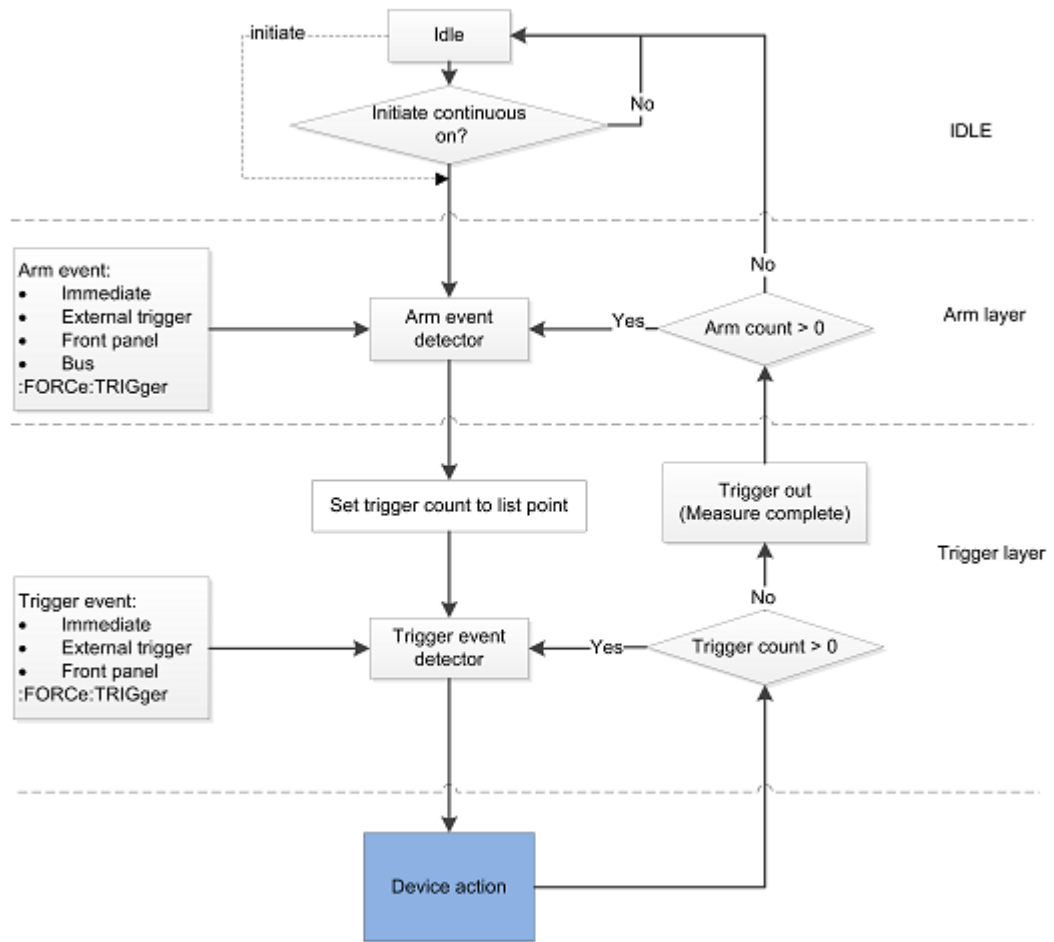
NOTE

When using immediate triggering, the instrument runs the next list step after sending the measure complete signal. However, when using external, bus, or manual triggering, the instrument moves on to the next list step until a measure complete signal is generated and a trigger-in signal is received. If a trigger signal is received when the instrument is in a source-delay-measure cycle or dwell period, the trigger signal is ignored.

Sweep mode triggering

For sweep mode, after each list cycle, the instrument generates a measure complete signal. You can detect this signal in digital I/O line 2. For details, refer to [Digital I/O](#) (on page 3-19).

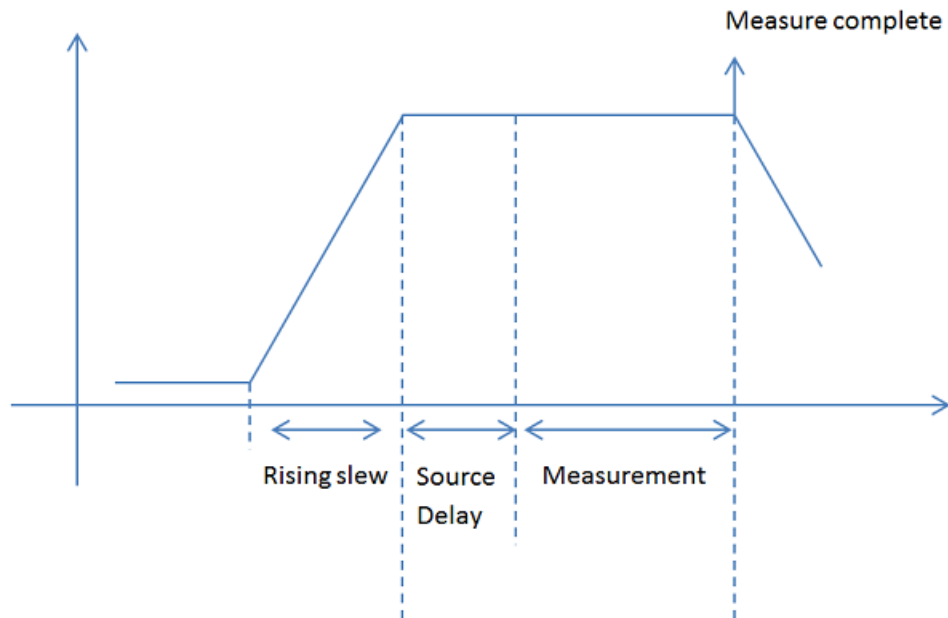
Figure 98: Sweep mode triggering



As shown in the figure above, the device action can be any mode described in [List running time](#) (on page 3-45). The measurement time is decided accordingly.

The following figure explains the process of measurement for sweep mode.

Figure 99: Sweep mode measurement time



Increasing the speed of sweeps

To increase the speed of list:

- Reduce the NPLC.
- Turn autozero off. If autozero is on, the instrument takes new reference and zero values for every reading. This can slow down sweep operation. Be aware that if you disable autozero, measurements may drift and become erroneous. For more information on the autozero options, see Autozero measurements.

Aborting a list

List can be stopped for the following reasons:

- The limit set by the abort on limit setting was exceeded
- The trigger model is aborted

You can stop the list while it is in progress. When you stop the list, all list commands in the trigger model are terminated.

Using the front panel:

Press the **HOME** > **List** > **Enable** to stop the list.

Using SCPI commands:

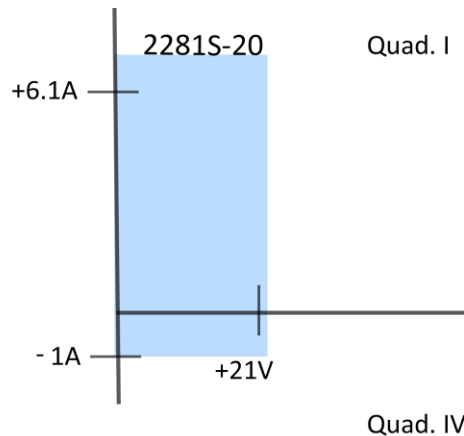
Send the command:

```
:ABORT
```


Sink operation

When the 2281S-20-6 is operating as a sink, current has opposite polarities and the instrument is absorbing power rather than sourcing it. The instrument can be forced into sink operation by an external source, such as a battery, or an energy storage device, such as a capacitor. For detail on the sink region, see the following figure. The sink current is non-programmable and the maximum sink current is $1\text{ A} \pm 10\%$.

Figure 100: Sink operation



For example, if a 12 V battery is connected to the voltage source (HI to battery high) that is programmed for +10 V, sink operation occurs in the quadrant IV (source +V and measure -I).

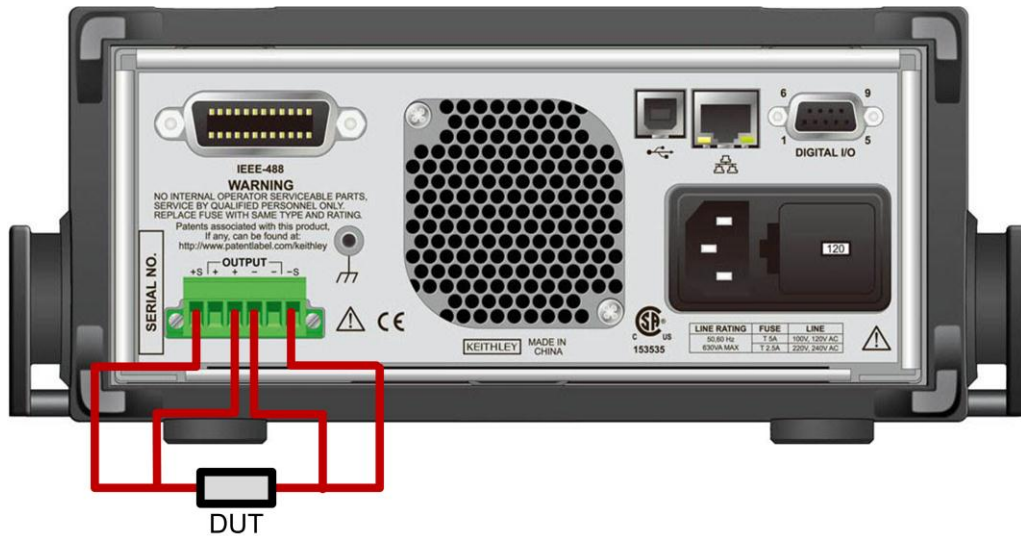
⚠ WARNING

2281S-20-6 always absorb current at its maximum capacity, which is approximately 1 A. This sink current is not programmable. If the maximum output current of the battery under test is less than 1 A, you should connect a resistor between the instrument and the battery to prevent the battery from switching into protection mode or being damaged.

Battery charging & discharging

When the 2281S-20-6 is in the battery test function, the instrument and the battery under test can be connected in two-wire sense or in four-wire sense. However, the four-wire sense connection, as shown in the following figure, is recommended because it can cancel the wire resistance.

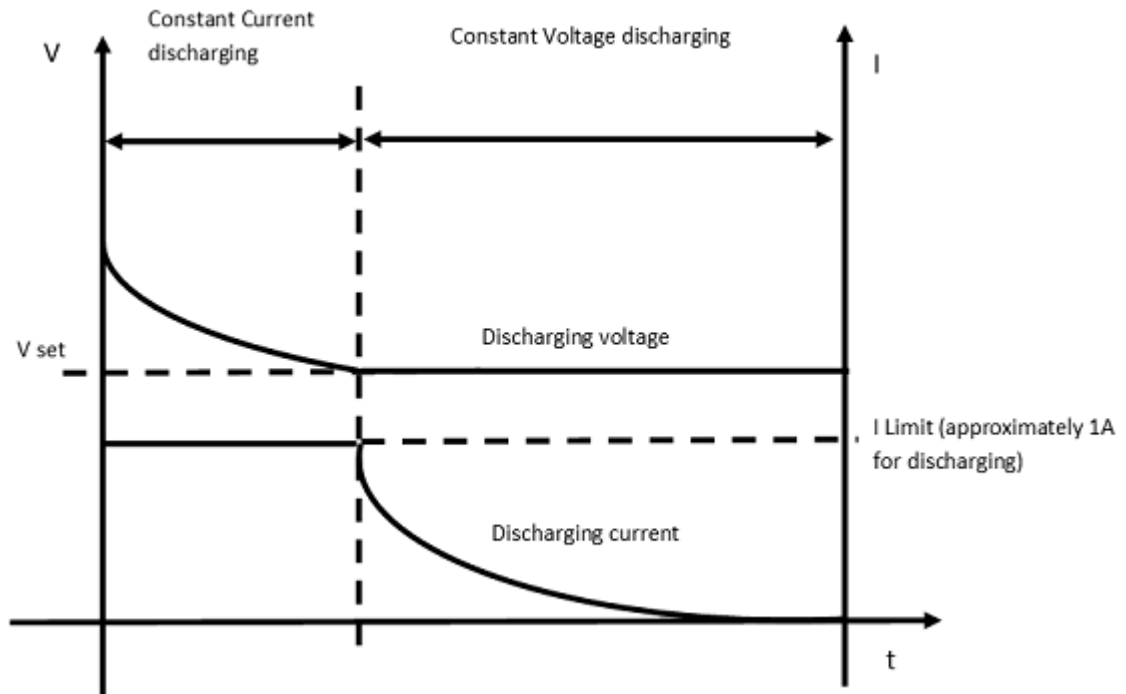
Figure 101: Four-wire connection to rear panel



Battery discharging test

As shown in the following figure, the discharging is divided into two parts.

Figure 102: Discharging phases



- Constant current phase: In the initial stage, the instrument discharges the battery in constant current. The absorbed current cannot be set, but it is usually the maximum current that can be absorbed, which is approximately 1 A (influenced by the ambient temperature). The output voltage is larger than V_{set} but decreasing.
- Constant voltage phase: When the discharging voltage falls down to V_{set} , the instrument discharges the battery in constant voltage while the discharging current is decreasing gradually.

⚠ WARNING

If the maximum output current of the battery under test is less than 1 A, you should connect a resistor between the instrument and the battery to prevent the battery from switching into protection mode or being damaged.

When the discharging current falls down near 0, the discharging is finished. At this time, the battery open voltage equals to V_{set} .

To discharge a battery using the front panel:

1. Select the battery test function in the startup screen.
2. Press the **MENU** key.
3. Under **Source**, select **(dis)charge**.
4. Set the target voltage next to **V-Set**. For example, for a Li-Ion battery that works in the range of 3.8 V to 4.2 V, you need to set the target voltage lower than 3.8 V.
5. Set the end current next to **End condition**.
6. Turn **OUTPUT** on from the front panel to discharge the battery.

To discharge a battery using SCPI commands:

Send the commands:

```
:BATT:TEST:VOLT V1  
:BATT:TEST:CURR:END A1  
:BATT:OUTP ON
```

These commands:

- Set the discharging target voltage to V1.
- Set the end current to A1.
- Turn **OUTPUT** on in the front panel to discharge the battery.

NOTE

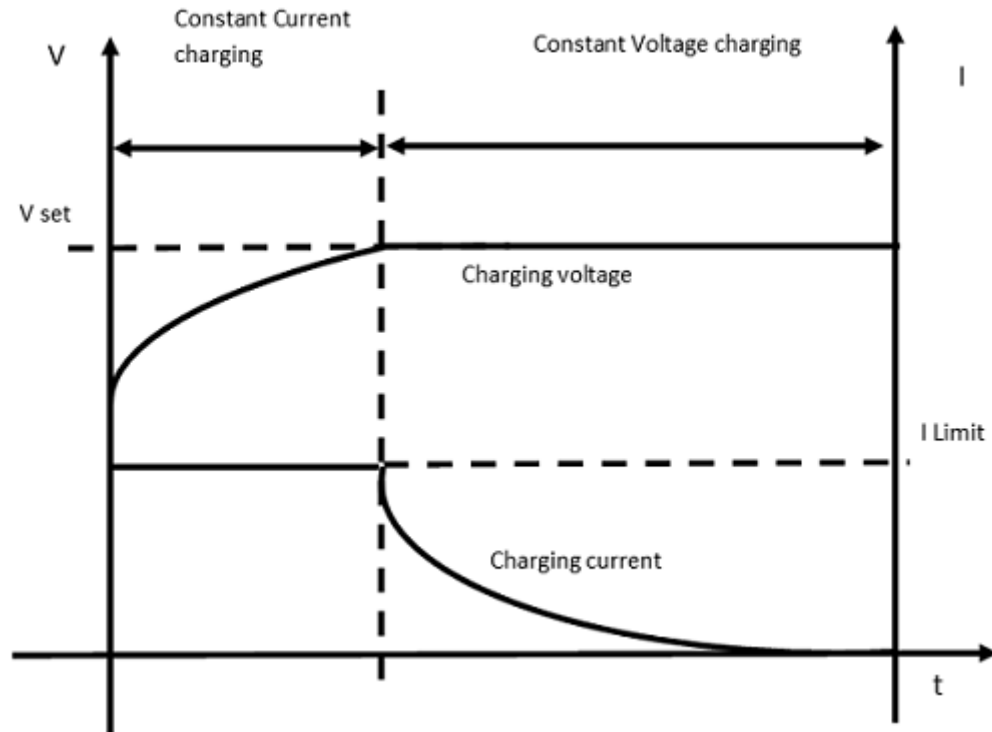
The values V1 and A1 are to be provided by the battery manufacturer. Improper settings might damage the battery.

Battery charging test

Before the test, set the charging voltage V_{set} and the maximum current I_{limit} .

As shown in the following figure, the charging is divided into two parts.

Figure 103: Charging phases



- Constant current phase: In the initial stage, the instrument charges the battery with I-limit, and the output voltage is smaller than Vset but increasing.
- Constant voltage phase: When the charging voltage reaches the Vset value, the instrument charges the battery in constant voltage while the charging current is decreasing gradually.

When the charging current falls down near 0, the charging is finished. At this time, the battery open voltage equals Vset.

To charge a battery using the front panel:

1. Select the battery test function in the startup screen.
2. Press the **MENU** key.
3. Under **Measure**, select **A-H**.
4. Set the target voltage next to **V-Full**. If the battery works in the range of 3.8 V to 4.2 V, set this value slightly higher than 4.2 V.
5. Set the maximum charging limit next to **Source I-Limit**.
6. Set the end current to 10 mA next to **End condition**.
7. Return to the battery test home screen by pressing **HOME** on the front panel.
8. Select **Measure AH** in the soft key area 3.
9. Set the state to **On**. Then the charging starts with measurement result (voltage/current/Amp-Hour) displayed on the screen.

NOTE

You can view the charging process by selecting **Graph** or **Data Sheet** in the soft key area 2 when the charging is in progress.

To charge a battery using SCPI commands:

Send the commands:

```
:BATT:TEST:SENS:AH:VFUL V2
:BATT:TEST:SENS:AH:ILIM A2
:BATT:TEST:SENS:AH:END 0.001
:BATT:TEST:SENS:AH:ESRI S30
```

These commands:

- Set the V-Full to V2
- Set the maximum charging limit to A2.
- Set the end current to 1 mA.
- Set the sampling interval to 30 s.

To start the charging and measurement, send the command:

```
:BATT:TEST:SENS:AH:EXEC STAR
```

NOTE

The values V2 and A2 are to be provided by the battery manufacturer. Improper settings might damage the battery.

Generating and editing battery model

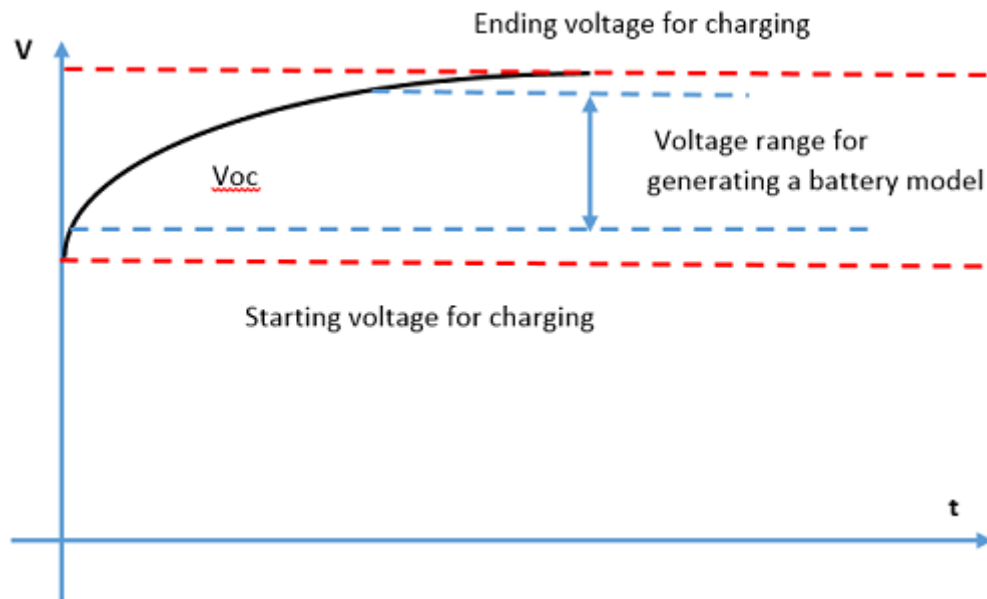
Only a complete charging test can be the basis for generating a battery model.

A complete charging means the battery is charged from 0% capacity to 100% capacity. An incomplete charging may not be able to provide the basis covering battery performance in all situations for generating a battery model.

Only the data from charging can be used for generating a battery model because the discharging current cannot be set.

When the charging is finished, you can choose to generate a battery model after setting the voltage range for the battery model. As you can see from the following figure, the range should be well within the V-empty and V-full set during the charging.

Figure 104: Setting voltage range for a battery model



Generating a battery model

To generate a battery model using the front panel:

1. Select the battery test function in the startup screen.
2. Go to the battery test home screen by pressing **HOME** on the front panel after the charging is finished.
3. Select **Measure AH** in the soft key area 3.
4. Select **Model: Generate**.
5. Set the Voc range for the battery model.
6. Set a name to the battery model.
7. Select **Yes** to save the battery model. 2281S-20-6 can save up to 9 battery models.

To generate a battery model using SCPI commands:

Send the commands:

```
:STAT:OPER:INST:ISUM:COND?
:BATT:TEST:SENS:AH:GMOD:RANG 2.5, 3.7
:BATT:TEST:SENS:AH:GMOD:SAVE:INTE 1
```

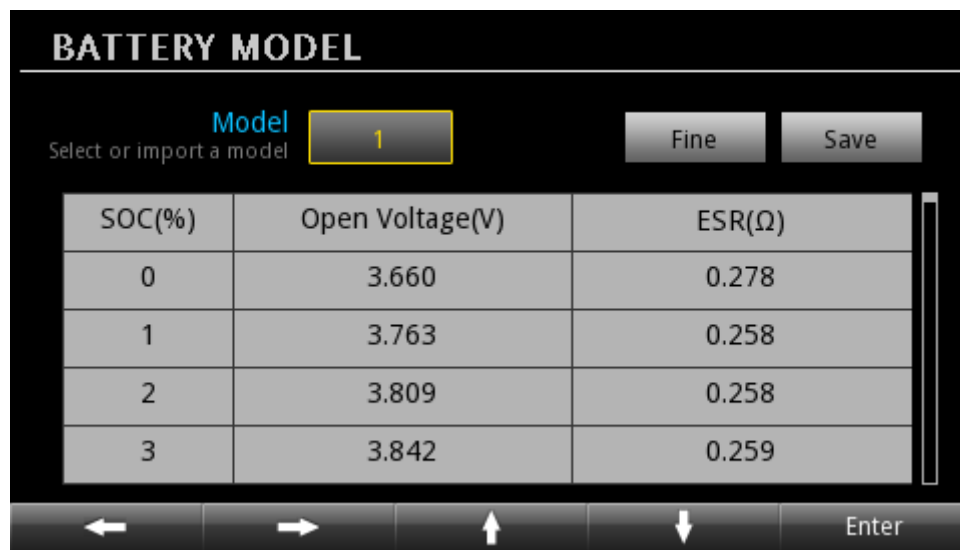
These commands:

- Query whether the measurement is done.
- Set the range for generating battery model.
- Save the battery model to the internal memory.

Editing a battery model

The generated battery model contains the information shown in the following figure.

Figure 105: Battery model



The first column is SOC from 0 % to 100 %. The second column and third column are the corresponding values of open voltage and battery resistance.

There are two kinds of battery models:

- Fine model: The SOC is displayed in 101 rows by every 1%;
- Coarse model: The SOC is displayed in 11 rows by every 10%.

You may choose the kind of battery model to match your requirements.

You can edit the battery model and then click **Save** to store it in the internal memory. You can save up to 9 battery models.

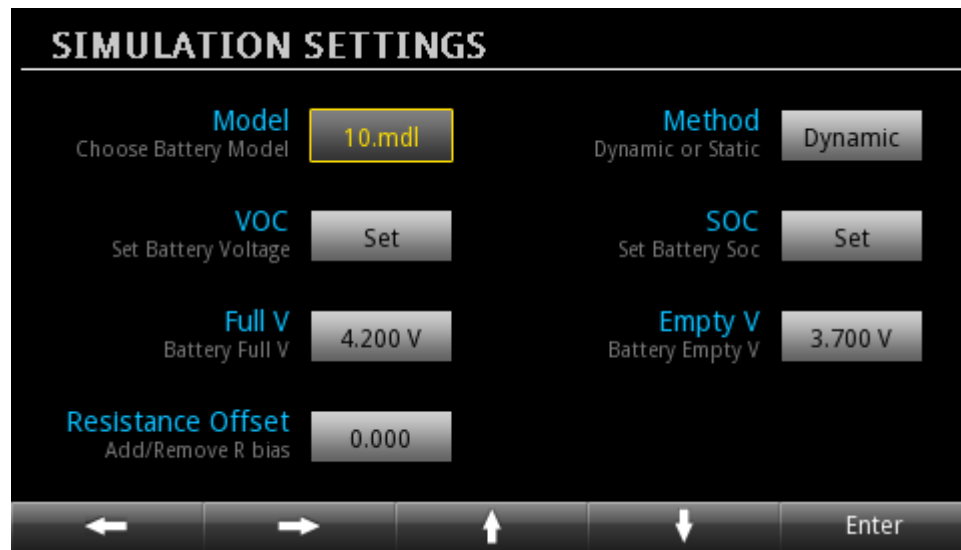
Battery simulation

The 2281S-20-6 can simulate a real battery to test a device in the certain state of the battery for better test efficiency. The following topic explains the settings and measurement procedure.

Battery simulation settings

If you are in the battery simulator function, press **Menu**. Choose **Settings** under **Battery**. The following figure is displayed.

Figure 106: Simulation settings



You can choose a battery model to simulate the battery in your lab. For details of other settings, refer to [Settings menu](#) (on page 2-34).

There are two methods of simulation, static and dynamic:

- During the static simulation, the open voltage and SOC stay the same.
- During the dynamic simulation, the open voltage and SOC change with the charging and discharging.

Simulating a battery

To simulate a battery with 2281S-20-6 using the front panel:

1. Select the battery simulator function in the startup screen.
2. Select **Model** in the soft key area 1, and then select a model.
3. Press the **MENU** key.
4. Under **Battery**, select **Settings**.
5. Set **Method** to **Dynamic**. Thus the Voc and SOC of the simulated battery will change based on the charging and discharging, like a real battery.
6. Set **Full V** and **Empty V** as the range of the simulated battery.
7. Return to the battery simulator home screen by pressing **HOME** on the front panel.
8. Select **I-Limit** in the soft key area 2. The maximum discharging current cannot be set higher than 3 A.
9. Go back to the menu.
10. Under **Battery**, select **Settings**.
11. Set **SOC**. The value of Voc changes based on the value of SOC.
12. Return to the home screen and set **Capacity**.
13. Turn **OUTPUT** on in the front panel to start the battery simulation.

To simulate a battery using SCPI commands:

To select model 1, send the command:

```
:BATT:MOD:RCL 1
```

To set the simulation mode to **Dynamic**, send the command:

```
:BATT:SIM:METH DY
```

To set the V-full to 4.2 V, send the command:

```
:BATT:SIM:VOC:FULL 4.2
```

To set the V-empty to 3.8 V, send the command:

```
BATT:SIM:VOC:EMPT 3.8
```

To set the current limit to 3 A, send the command:

```
:BATT:SIM:CURR:LIM 3
```

To set SOC to 80%, send the command:

```
:BATT:SIM:SOC 80
```

The Voc is changed accordingly.

To set the battery capacity to 200 mAh, send the command:

```
:BATT:SIM:CAP:LIM 200mAh
```

To set output on to start the simulation, send the command:

```
:BATT:OUTP ON
```

Reset default values

When you turn instrument power on and off or send a reset command, many of the settings in the instrument are reset to their default values.

The settings that are affected are listed in the following tables. The tables show SCPI and front panel settings for each setting. They are sorted alphabetically by the name of the SCPI command.

Math and statistics reset values

Setting	Default value reset from MENU > Manage > System Reset or by the SCPI command :SYSTEM:PRESet (on page 7-159)	Default value reset by the command *RST (on page 7-6)
MENU > Math > Type :CALCulate[1]:<function>:FORMat (on page 7-67)	MXB	MXB
MENU > Math > b (Offset) :CALCulate[1]:<function>:KMATH:MBFactor (on page 7-68)	0	0
MENU > Math > m (Gain) :CALCulate[1]:<function>:KMATH:MMFactor (on page 7-69)	1	1
MENU > Math > Units :CALCulate[1]:<function>:KMATH:MUNits (on page 7-71)	'X'	'X'
MENU > Math > State :CALCulate[1]:<function>:STATe (on page 7-72)	Off	Off
MENU > Data Buffers > Statistics Format :CALCulate2:FORMat:ELEMents (on page 7-76)	Not applicable	Not applicable
MENU > Data Buffers > Statistics Function :CALCulate2:FUNCTION (on page 7-78)	CURRENT:DC	CURRENT:DC
MENU > Data Buffers > Statistics :CALCulate2:FORMat (on page 7-74)	MIN, MAX, MEAN, SDEV, and PKPK	MIN, MAX, MEAN, SDEV, and PKPK
MENU > Data Buffers > Size :TRACe[n]:POINts or :DATA[n]:POINts (on page 7-168)	100	100
MENU > Data Buffers > Autoclear :TRACe[n]:CLEar:AUTO or :DATA[n]:CLEar:AUTO (on page 7-162)	On	ON
MENU > Data Buffers > Mode :TRACe[n]:FEED:CONTRol or :DATA[n]:FEED:CONTRol (on page 7-167)	Always	ALW
MENU > Data Sheet > Statistics :CALCulate2:STATe (on page 7-80)	Off	Off

Calibration reset values

Setting	Default value reset from MENU > Manage > System Reset or by the SCPI command :SYSTem:PRESet (on page 7-159)	Default value reset by the command *RST (on page 7-6)
Not available from front panel :CALibration:PROTected:STATe	Off	Off
MENU > System Settings > System Password > Calibration :CALibration:PROTected:CODE	'KI002281'	Not applicable

Digital I/O reset values

Setting	Default value reset from MENU > Manage > System Reset or by the SCPI command :SYSTem:PRESet (on page 7-159)	Default value reset by the command *RST (on page 7-6)
MENU > Digital I/O :DIGital:LINE<n>:FUNCTion (on page 7-91)	Line 1: AUTO Line 2: AUTO Line 3: AUTO Line 4: MINP Line 5: MINP Line 6: MINP	Not applicable

Display reset values

Setting	Default value reset from MENU > Manage > System Reset or by the SCPI command :SYSTem:PRESet (on page 7-159)	Default value reset by the command *RST (on page 7-6)
MENU > System Settings > Backlight Brightness :DISPlay:BRIGhtness (on page 7-92)	50	Not applicable
Not available from front panel :DISPlay:SCREen (on page 7-93)	HOME	Not applicable

Format reset values

Setting	Default value reset from MENU > Manage > System Reset or by the SCPI command :SYSTem:PRESet (on page 7-159)	Default value reset by the command *RST (on page 7-6)
Not available from front panel :FORMat:ELEMents	Not applicable	Not applicable

Output reset values

Setting	Default value reset from MENU > Manage > System Reset or by the SCPI command :SYSTem:PRESet (on page 7-159)	Default value reset by the command *RST (on page 7-6)
MENU > Source Settings > Output :OUTPut[:STATe] (on page 7-101)	Off	Off
MENU > Source Settings > Output Delay :OUTPut:DELaY:STATe (on page 7-99)	Off	Off
MENU > Source Settings > Slew Rise :OUTPut:DELaY:RISing (on page 7-98)	0	0
MENU > Source Settings > Slew Fall :OUTPut:DELaY:FALLing (on page 7-97)	0	0

Measurement reset values

Setting	Default value reset from MENU > Manage > System Reset or by the SCPI command :SYSTem:PRESet (on page 7-159)	Default value reset by the command *RST (on page 7-6)
MENU > Measure Settings > Function :SENSe[n]:FUNCTion (on page 7-101)	'CONCurrent:DC'	'CONCurrent:DC'
MENU > Measure Settings > Range Home > Range :SENSe[n]:<function>:RANGe	Concurrent: Auto Current: Auto Voltage: 20 V	Concurrent: Auto Current: Auto Voltage: 20 V
MENU > Measure Settings > Range Home > Range :SENSe[n]:<function>:RANGe:AUTO (on page 7-109)	On	On
MENU > Measure Settings > Digits :SENSe[n]:<function>:DIGits (on page 7-106)	6	6
MENU > Measure Settings > NPLC :SENSe[n]:<function>:NPLCycles (on page 7-107)	1	1
MENU > Measure Settings > Auto Zero :SYSTem:AZERo[n]:STATe (on page 7-147)	On	On
Home > Resolution :SENSe[n]:<function>:RESolution (on page 7-113)	6	6
MENU > Rel/Filter > Type :SENSe[n]:<function>:AVERAge:TCONtrol (on page 7-104)	MOV	MOV
MENU > Rel/Filter > Count :SENSe[n]:<function>:AVERAge:COUnT (on page 7-102)	10	10
MENU > Rel/Filter > Window :SENSe[n]:<function>:AVERAge:WINDow (on page 7-105)	0.1	0.1
MENU > Rel/Filter > Filter State :SENSe[n]:<function>:AVERAge:STATe (on page 7-103)	On	On
MENU > Rel/Filter > Reference :SENSe[n]:<function>:REFerence	0	0
MENU > Rel/Filter > Rel State :SENSe[n]:<function>:REFerence:STATe (on page 7-112)	Off	Off

Source reset values

Setting	Default value reset from MENU > Manage > System Reset or by the SCPI command :SYSTEM:PRESet (on page 7-159)	Default value reset by the command *RST (on page 7-6)
MENU > Source Settings > I-Limit [:SOURce[n]]:<function>[:LEVel][:IMMediate][:AMPLitude]	0.1	0.1
MENU > Source > Protect > Over Current Protection [:SOURce[n]]:<function>:PROTection[:LEVel]	6.1 A	6.1 A
MENU > Source Settings > V-Set [:SOURce[n]]:<function>[:LEVel][:IMMediate][:AMPLitude]	0	0
MENU > Source > Protect > Over Voltage Protection [:SOURce[n]]:<function>:PROTection[:LEVel]	20 V	20 V
MENU > Source > Protect > Maximum Voltage [:SOURce[n]]:VOLTag:e:LIMit[:AMPLitude]	20 V	20 V
MENU > Source Settings > Slew Rise [:SOURce[n]]:VOLTag:e:SLEW:RISing (on page 7-117)	100 V/s	100 V/s
MENU > Source Settings > Slew Fall [:SOURce[n]]:VOLTag:e:SLEW:FALLing (on page 7-118)	100 V/s	100 V/s
MENU > Source > Delay > Source Delay [:SOURce[n]]:DELay (on page 7-114)	0.001 s	0.001 s
MENU > Source > Delay > State [:SOURce[n]]:DELay:STATe (on page 7-114)	On	On
HOME > List > Mode [:SOURce[n]]:LIST:MCOMPLete (on page 7-124)	SWEEP	SWEEP
HOME > List > Enable [:SOURce[n]]:LIST:STATe (on page 7-130)	Off	Off
HOME > List > Hold Time [:SOURce[n]]:LIST:HTIME (on page 7-122)	Point	POINT
HOME > List > End Zero [:SOURce[n]]:LIST:END:ZERO (on page 7-122)	Off	Off

Status model reset values

Setting	Default value reset from MENU > Manage > System Reset or by the SCPI command :SYSTEM:PRESet (on page 7-159)	Default value reset by the command *RST (on page 7-6)
:STATus:QUEStionable:ENABLE (on page 7-143)	Not applicable	Not applicable
:STATus:QUEStionable:INSTrument:ENABLE (on page 7-144)	Not applicable	Not applicable
:STATus:QUEStionable:INSTrument:ISUMmary:ENABlE (on page 7-146)	Not applicable	Not applicable
:STATus:OPERation:ENABLE (on page 7-138)	Not applicable	Not applicable
:STATus:OPERation:INSTrument:ENABLE (on page 7-139)	Not applicable	Not applicable
:STATus:OPERation:INSTrument:ISUMmary:ENABLE (on page 7-141)	Not applicable	Not applicable
:STATus:MEASurement:ENABLE (on page 7-134)	Not applicable	Not applicable
:STATus:MEASurement:INSTrument:ENABLE (on page 7-135)	Not applicable	Not applicable
:STATus:MEASurement:INSTrument:ISUMmary:ENABlE (on page 7-136)	Not applicable	Not applicable

Trigger reset values

Setting	Default value reset from MENU > Manage > System Reset or by the SCPI command :SYSTEM:PRESet (on page 7-159)	Default value reset by the command *RST (on page 7-6)
MENU > Trigger Configure > Idle :INITiate[n]:CONTinuous (on page 7-95)	On	Off
MENU > Trigger Configure > Arm Count :ARM[:SEQuence[n]]:COUNt (on page 7-18)	1	1
MENU > Trigger Configure > Arm Source :ARM[:SEQuence[n]]:SOURce (on page 7-18)	IMMEDIATE	IMMEDIATE
MENU > Trigger Configure > Trigger Count :TRIGger[:SEQuence[n]]:COUNt (on page 7-174)	1	1
MENU > Trigger Configure > Trigger Source :TRIGger[:SEQuence[n]]:SOURce (on page 7-176)	IMMEDIATE	IMMEDIATE
MENU > Trigger Configure > Sample Count :TRIGger[:SEQuence[n]]:SAMPle:COUNt (on page 7-175)	1	1

Buffer reset values

Setting	Default value reset from MENU > Manage > System Reset or by the SCPI command :SYSTem:PRESet (on page 7-159)	Default value reset by the command *RST (on page 7-6)
MENU > Trigger Configure > Idle :TRACe[n]:CLEAr:AUTO or :DATA[n]:CLEAr:AUTO (on page 7-162)	On	Not applicable
MENU > Trigger Configure > Arm Count :TRACe[n]:POINts or :DATA[n]:POINts (on page 7-168)	100	Not applicable
MENU > Trigger Configure > Arm Source :TRACe[n]:FEED or :DATA[n]:FEED (on page 7-166)	SENSe	Not applicable
MENU > Trigger Configure > Trigger Count :TRACe[n]:FEED:CONTRol or :DATA[n]:FEED:CONTRol (on page 7-167)	ALWays	Not applicable

Battery test source reset values

Setting	Default value reset from MENU > Manage > System Reset or by the SCPI command :SYSTem:PRESet (on page 7-159)	Default value reset by the command *RST (on page 7-6)
MENU > SOURCE > (Dis)charge > V-Set :BATTery[n]:TEST[:SOURce]:VOLTag:e:LEVel (on page 7-32)	0 V	0 V
MENU > SOURCE > (Dis)charge > Charge limit :BATTery[n]:TEST[:SOURce]:CURRent:CLIMit (on page 7-36)	6.1 A	6.1 A
MENU > SOURCE > Protect > Overvoltage Protection :BATTery[n]:TEST[:SOURce]:VOLTag:e:PROTectio[n]:LEVel (on page 7-34)	21 V	21 V
MENU > SOURCE > Protect > Overcurrent Protection :BATTery[n]:TEST[:SOURce]:CURRent:PROTectio[n]:LEVel (on page 7-38)	6.1 A	6.1 A
MENU > SOURCE > Protect > Maximum Voltage :BATTery[n]:TEST[:SOURce]:VOLTag:e:LIMit (on page 7-33)	20 V	20 V

Battery test measure reset values

Setting	Default value reset from MENU > Manage > System Reset or by the SCPI command :SYSTEM:PRESet (on page 7-159)	Default value reset by the command *RST (on page 7-6)
MENU > Measure > V & I > Sample Interval :BATTery[n]:TEST:SENSe:SAMPlE:INTerval (on page 7-39)	0.04 s for 50 Hz 3.33333e-2 s for 60 Hz	0.04 s for 50 Hz 3.33333e-2 s for 60 Hz
MENU > Measure > ESR > ESR/Voc delay :BATTery[n]:TEST:SENSe:ESR:DELAY (on page 7-40)	10 ms	10 ms
MENU > Measure > A-H > V-Full :BATTery[n]:TEST:SENSe:AH:VFULL (on page 7-41)	0 V	0 V
MENU > Measure > A-H > Source I-Limit :BATTery[n]:TEST:SENSe:AH:ILIMit (on page 7-42)	0.1 A	0.1 A
MENU > Measure > A-H > End-Condition :BATTery[n]:TEST:SENSe:AH:END (on page 7-46)	10 mA	10 mA
MENU > Measure > A-H > ESR-Interval :BATTery[n]:TEST:SENSe:AH:ESRInterval (on page 7-41)	10 s	10 s
MENU > Measure > V & I > Sample Interval :BATTery[n]:TEST:SENSe:SAMPlE:INTerval (on page 7-39)	0.04 s for 50 Hz 3.33333e-2 s for 60 Hz 0.04s for 50Hz3.33333e-2s for 60Hz 0.04s for 50Hz	0.04 s for 50 Hz 3.33333e-2 s for 60 Hz

Battery simulation reset values

Setting	Default value reset from MENU > Manage > System Reset or by the SCPI command :SYSTEM:PRESet (on page 7-159)	Default value reset by the command *RST (on page 7-6)
MENU > Battery > Setting > Model	1.mdl	1.mdl
MENU > Battery > Setting > Method :BATTery[n]:SIMulator:METHOD (on page 7-31)	Dynamic	Dynamic
MENU > Battery > setting > Voc > Set :BATTery[n]:SIMulator:VOC (on page 7-20)	4.2 V	4.2 V
MENU > Battery > Setting > SOC > Set :BATTery[n]:SIMulator:SOC (on page 7-19)	100%	100 %
MENU > Battery > Setting > Full V :BATTery[n]:SIMulator:VOC:FULL (on page 7-21)	4.2 V	4.2 V
MENU > Battery > Setting > Empty V :BATTery[n]:SIMulator:VOC:EMPTY (on page 7-22)	3.7 V	3.7 V
MENU > Battery > Setting > Resistance offset :BATTery[n]:SIMulator:RESistance:OFFSet (on page 7-24)	0	0
MENU > Battery > Protect > Overvoltage Protection :BATTery[n]:SIMulator:VOC:PROTection[:LEVel] (on page 7-28)	21 V	21 V
MENU > Battery > Protect > Overcurrent Protection :BATTery[n]:SIMulator:CURRent:PROTection[:LEVel] (on page 7-28)	6.1 A	6.1 A
MENU > Battery > Protect > Maximum Voltage	20 V	20 V

Measurement optimization

In this section:

Introduction	4-1
Optimizing either measurement accuracy or speed	4-1
Math calculations that you can apply to measurements	4-10
Relative offset	4-12
Displayed measurements	4-14
ESR measurement	4-16
A-H measurement	4-18

Introduction

This section contains information that will help you get more useful measurement data and better instrument performance.

Optimizing either measurement accuracy or speed

You can use resolution, NPLC, autozero and filter to optimize the measurement accuracy and speed.

You can configure the following parameters to optimize for either measurement accuracy or measurement speed.

- Measurement resolution: Number of digits displayed
- Integration time: Number of power line cycles (NPLC)
- Autozero: Minimizing measurement drift
- Filtering: A type of averaging

NOTE

Changing the resolution automatically adjusts some of these parameters.

Resolution

In the power supply function, you can specify a resolution to adjust the measurement accuracy and speed.

NOTE

In the battery test and battery simulation function, the highest resolution is applied automatically.

Changing resolution will impact NPLC, autozero, display digits, and average filter. For details, see the following table.

Resolution	NPLC	Autozero state/ Source delay	Display digits	Average filter	Benefit	Limitation
6.5	1.0	Autozero state: On Source delay: 0.001 s Source delay state: On	6.5	Filter count: 10 Filter window: 0.01 % State: On	Low noise readings Compensate for temperature gain and offset changes Maximum display resolution	Low reading speeds
5.5	0.1	Autozero state: Off Source delay: 0.001 s Source delay state: On	5.5	Filter count: 10 Filter window: 0.01 % State: Off	Moderate reading rates	Environmental 50/60 Hz ambient noise can impact readings Reduced display resolution
4.5	0.002	Autozero state: Off Source delay: 0 s Source delay state: Off	4.5	Filter count: 10 Filter window: 0.01 % State: Off	Best reading rate speeds. Capture 50 µs pulsed current measurements	Environmental 50/60 Hz ambient noise can impact readings Lowest display resolution

NOTE

Resolution controls the best possible combination of reading speed, accuracy, and front-panel display digits.

You can independently adjust the front-panel digits using front panel or remote command. The setting of front-panel digits will not impact reading speed or accuracy. For details, refer to Displayed digits.

If you change the resolution to 5.5 or 6.5, the instrument enables source delay and sets the delay time to 1 ms.

Setting resolution

From the front panel:

1. Select the measurement function. The resolution will be applied to this function. For more information, you can refer to [Select a measurement function](#) (on page 2-80).
2. Press the **HOME** key.
3. Press the **Next** soft key to switch home screen to Home 2.
4. Press the **Resolution** soft key.
5. Select one of the resolution values.

Using SCPI commands:

To set the resolution for the current function, send the commands:

```
SENSe:CURRent:RESolution <n>
```

Where <n> is:

- 4: 4.5 digit resolution
- 5: 5.5 digit resolution
- 6: 6.5 digit resolution

To set the displayed digits for current measurements, replace `CURRent` with `VOLTage`. To set it for concurrent measurements, replace `CURRent` with `CONCurent`.

NPLC

You can adjust the amount of time that the input signal is measured. Adjustments to the amount of time affect the usable measurement resolution, the amount of reading noise, and the reading rate of the instrument.

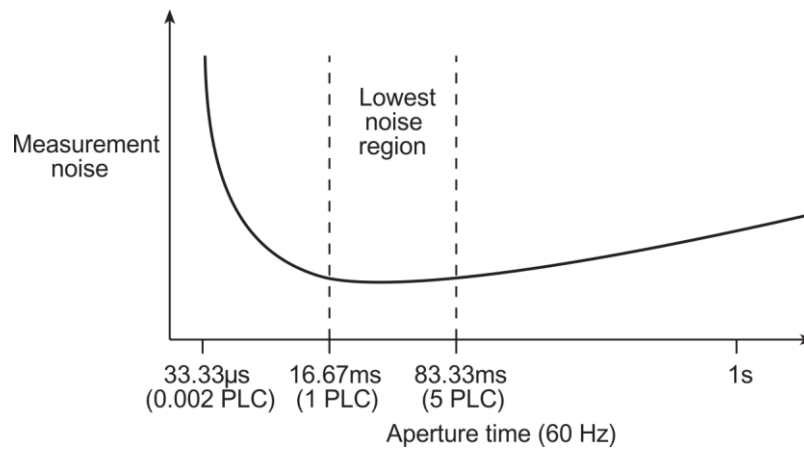
The amount of time is specified in parameters that are based on the number of power line cycles (NPLCs). Each power line cycle for 60 Hz is 16.67 ms (1/60); for 50 Hz, it is 20 ms (1/50).

The shortest amount of time (0.002 PLCs) results in the fastest reading rate, but increases reading noise and decreases the number of usable digits.

The longest amount of time (12 PLCs for 60 Hz and 15 PLCs for 50 Hz) provides the lowest reading noise and more resolution, but has the slowest reading rate.

Settings between the fastest and slowest NPLCs are a compromise between speed and noise.

Figure 107: Speed vs. noise characteristic



NOTE

After adjusting the speed, you may want to adjust the number of digits that are displayed for measurements. See Displayed digits.

To set NPLCs using the front panel:

1. Select the measurement function. The NPLC will be applied to this function. For more information, you can refer to [Select a measurement function](#) (on page 2-80).
2. Press the **MENU** key.
3. Under Measure, select **Settings**.
4. Next to NPLC, select the number. The NPLC window is displayed.
5. Enter the value and press the **ENTER** key.

Using SCPI commands:

To set the NPLCs for current measurements, send the command:

```
:SENSe:CURRent:NPLCycles <n>
```

To set the NPLCs for concurrent measurements, send the command:

```
:SENSe:CONCurent:NPLCycles <n>
```

To set the NPLCs for voltage measurements, send the command:

```
:SENSe:VOLTagE:NPLCycles <n>
```

Where <n> is a value from 0.002 to 15 for 60 Hz and from 0.002 to 12 for 50 Hz. A value of 0.002 results in the fastest reading rates, and a value of 12 or 15 results in the lowest reading noise.

For example, to set the NPLCs for voltage measurements to 0.5, send the command:

```
SENSe:VOLTagE:NPLCycles 0.5
```

Autozero measurements

In the power supply function, to ensure the reading accuracy, the instrument must measure internal references corresponding to the zero low and gain high references. The time interval between reference updates is determined by the integration aperture that is used for each customer and internal reference analog-to-digital converter (ADC) measurement.

NOTE

In the battery test and battery simulation function, the Autozero measurement function is disabled.

By default, the instrument automatically checks the references for each triggered reading. This can result in a longer expected time interval. This additional time can cause problems in the test sequences in which measurement timing is critical. To eliminate the extra time, the automatic internal reference ADC measurements can be disabled, allowing the instrument to measure only the customer portion of the reading.

When automatic reference measurements are disabled, the instrument speed per reading increases. However, the instrument may gradually drift out of specification.

Measurement function	With autozero enabled, the number of customer and internal reference ADC measurements per reading	With autozero disabled, the number of customer and internal reference ADC measurements per reading
Concurrent (V + I)	5	2
Current (I)	4	1
Voltage (V)	3	1

For example, when autozero is enabled, making 100 readings in the concurrent function with 1 NPLC takes a total measurement time is (50 Hz power line frequency):

$$Total\ time = 5 * reading\ number * NPLC * (1/50) = 5 * 100 * 1 * (1/50) = 10\ s$$

When autozero is disabled, making 100 readings in concurrent function with 1 NPLC takes a total measurement time is (50 Hz power line frequency):

$$Total\ time = 2 * reading\ number * NPLC * (1/50) = 2 * 100 * 1 * (1/50) = 4\ s$$

Setting autozero

You can enable or disable automatic referencing. The reference setting is stored with the measure function.

To set autozero using the front panel:

1. Press the **MENU** key.
2. Under Measure, select **Settings**.
3. Next to **Auto Zero**, select **On** or **Off**.
4. Select **HOME** to return to the operating display.

To set autozero using SCPI commands:

To turn autozero on, send the command:

```
:SYSTem:AZERo[:STATe] ON
```

To turn autozero off, send the command:

```
:SYSTem:AZERo[:STATe] OFF
```

NOTE

If autozero is enabled, all functions perform the internal reference measurements. If disabled, all functions halt internal reference measurements.

When you perform a fast low current measurement, you can disable the autozero for a better measure speed. However, if you perform a high current measurement, enable autozero to reduce the temperature impact.

Displayed digits

In the power supply function, you can set the number of digits that are displayed for measurement readings on the front panel. You can display 4.5, 5.5, or 6.5 digits. The default is 6.5.

The number of displayed digits does not affect accuracy or speed. It also does not affect the format of readings that are returned from a remote command.

NOTE

In the battery test and battery simulation function, you cannot set the displayed digits. The highest digits are applied.

Setting the displayed digits using the front panel

From the front panel:

1. Select the measurement function. The display digits will be applied to this function. For more information, you can refer to [Select a measurement function](#) (on page 2-80).
2. Press the **MENU** key.
3. Under Measure, select **Settings**.
4. Select the button next to **Digits**. The Digits setting window is displayed.
5. Select the digits to display.

This setting takes effect the next time you make measurements.

Setting the displayed digits using SCPI commands

To set number of displayed digits using SCPI commands:

Send the command:

```
SENSe:VOLTagE:DIGits <n>
```

Where <n> is:

- 4: 4.5 digit resolution
- 5: 5.5 digit resolution
- 6: 6.5 digit resolution

To set the displayed digits for current measurements, replace `VOLTagE` with `CURREnt`. To set it for concurrent measurements, replace `VOLTagE` with `CONCurrent`.

Filtering measurement data

In the power supply function, filters allow you to compute an average from a number of measurements. Averaging can reduce measurement fluctuations due to noise levels. This can help you produce more accurate measurements.

The 2281S-20-6 provides a moving average filter function. Note that the greater the number of measurements that are averaged, the slower the averaged sample rate, but the lower the noise error. Trade-offs between speed and noise are normally required to tailor the instrument settings to your measurement application.

NOTE

In the battery test and battery simulation function, this feature is not applied.

If you create test algorithms and you are using the averaging filters, make sure the algorithms clear the filter memory stacks at appropriate times to avoid averaging an inappropriate set of measurements.

Moving average filter

When the moving average filter is selected, the measurements are added to the stack continuously on a first-in, first-out basis. As each measurement is made, the oldest measurement is removed from the stack. A new averaged sample is produced using the new measurement and the data that is now in the stack.

Note that when the moving average filter is first selected, the stack is empty. When the first measurement is made, it is copied into all the stack locations to fill the stack. A true average is not produced until the stack is filled with new measurements.

For example, if the filter size is four, the first measurement is copied to all four stack locations. Therefore, $(\text{Reading1} + \text{Reading1} + \text{Reading1} + \text{Reading1})/4$. The display and remote interface update after first reading. With each additional measurement, the average updates:

$(\text{Reading2} + \text{Reading1} + \text{Reading1} + \text{Reading1})/4$

$(\text{Reading3} + \text{Reading2} + \text{Reading1} + \text{Reading1})/4$

$(\text{Reading4} + \text{Reading3} + \text{Reading2} + \text{Reading1})/4$

Details on digital filter characteristics are provided in the following paragraphs.

- **Filter count:** The filter count specifies the number of measurements to be made for each averaged measurement sample. It can be set from 2 to 100.
- **Filter window:** The digital filter uses a window to control filter threshold. When the reading value remains within the selected window, the measurements continue to be placed in the stack. If the reading changes to a value outside the window, the filter resets and starts processing again with a new initial measurement.

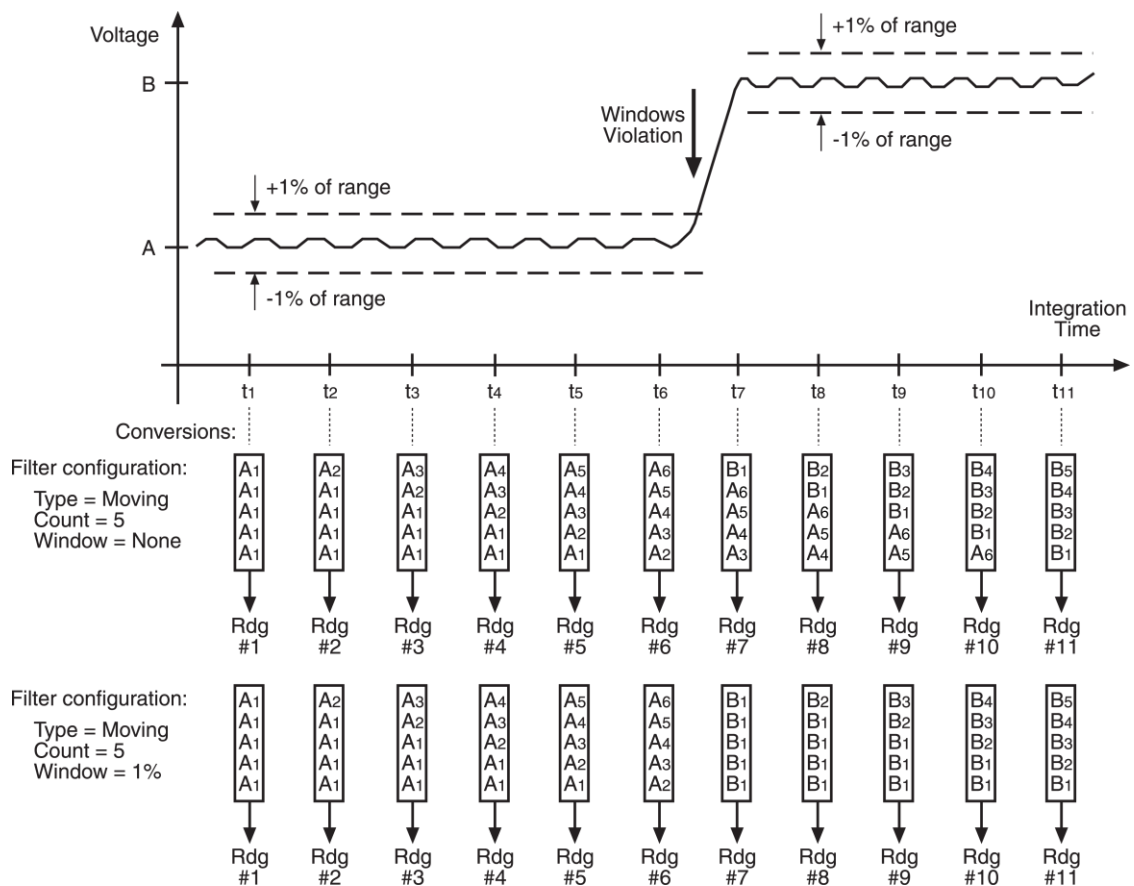
The filter window, which is expressed as a percentage of range, allows a faster response time to large signal step changes. A reading conversion outside the plus or minus window fills the filter stack immediately.

If the reading value does not exceed the selected window, the reading is based on the average of the reading conversions. If the reading value does exceed the selected window, the reading is a single reading conversion and new averaging starts from this point.

The five window selections from the front panel are 0.01 %, 0.1 %, 1 %, 10 %, and 100 %. Note that the 100 % setting means that no limit is applied and all readings are included in the averaging. For voltage and current, the actual filter limit is expressed as a percent of range.

For example, on the 10 mA range, a 10 % window means that the filter is ± 1 mA.

Figure 108: Filter window



NOTE

When you select the concurrent measurement function, filter operations only apply to current measurements and do not affect voltage measurements.

Setting up the averaging filter

Using the front panel:

1. Select the measurement function. The filter will be applied to this function. For more information, you can refer to [Select a measurement function](#) (on page 2-80).
2. Press the **MENU** key.
3. Under Measure, select **Rel/Filter**.
4. For the **Filter State**, select **ON** or **OFF**.
5. For the **Count**, enter the number of measurements to be made for each averaged measurement sample.
6. For the **Window**, select one of the sizes.
7. Select **HOME** to return to the operating display.



Quick Tip

Once the filter type and count are set up, you can enable and disable the averaging filter from the home screen. On the home screen 2, press the **Calculate** soft key. The Calculate window is displayed. Press the **Filter** soft key to enable or disable the filter operation. When the operation is enabled, the CALC indicator on the Home screen is lit.

Using SCPI commands:

To set number of measurements to be averaged for current measurements, send the command:

```
:SENS:CURR:AVER:COUN <n>
```

Where <n> is the filter type to be averaged (2 to 100).

To set number of measurements to be averaged, send the command:

```
:SENS:CURR:AVER:TCON <type>
```

Where <type> is the filter type MOVing.

To set the filter window size, send the command:

```
:SENS:CURR:AVER:WIND <n>
```

Where <n> is window size (0.01 to 100).

To enable the selected averaging filter, send the command:

```
:SENS:CURR:AVER:STATe ON
```

To set the commands above for concurrent measurements, replace CURRent with CONCurrent. To set the above commands for voltage measurements, replace CURRent with VOLTage.

Math calculations that you can apply to measurements

The 2281S-20-6 supports $mx+b$ built-in math calculations in the power supply function. Math calculations are applied to the input signal after filter and relative offset operations are completed. For more details on the order of operations, see [Displayed measurements](#) (on page 4-14).

NOTE

In the battery test and battery simulation function, this feature is not applied.

Math operations apply to the selected measurement function. If you change the measurement function, the math operation for that measurement function becomes active.

NOTE

When you select the concurrent measurement function, math operations only apply to current measurements and do not affect voltage measurements.

$mx+b$

The $mx+b$ math operation lets you manipulate normal display readings (x) mathematically based on the following calculation:

$$mx + b = Y$$

Where:

- **m** is a user-defined constant for the scale factor
- **x** is the measurement reading (if you are using a relative offset, this is the measurement with relative offset applied)
- **b** is a user-defined constant for the offset factor
- **Y** is the displayed result

When the $mx+b$ math operation is active, the unit of measure for the front-panel voltage and current readings defaults to the character 'X' and the CALC indicator is displayed to the right of the measurement.

NOTE

The CALC indicator represents the filter and $mx+b$ operation status. If filter or math operation is enabled, the CALC indicator is displayed to the right of the measurement.

Setting mx+b math operations

From the front panel:

1. Select the measurement function. The math operations will be applied to this function. For more information, you can refer to [Select a measurement function](#) (on page 2-80).
2. Press the **MENU** key.
3. Under Measure, select **Math**.
4. Select the button next to **Math State**. The State selection window is displayed.
5. Select **On**.
6. Select the button next to **m (Gain)** and enter a value for m.
7. Select the button next to **b (Offset)** and enter a value for b.
8. Select the button next to **Units**. The keypad window is displayed.
9. Select one alpha character for the units of mx+b operation.



Quick Tip

Once m, b, and units are set up, you can enable and disable the math operation from the home screen. On the home screen 2, press the **Calculate** soft key. The Calculate window is displayed. Press the **Math** soft key to enable or disable the math operation. When the operation is enabled, the CALC indicator on the Home screen is lit.

Using SCPI commands:

To set the math operations to mx+b for the current function, send the commands:

```
:CALC:CURREN:FORM:MXB
:CALC:CURREN:KMAT:MMF <m>
:CALC:CURREN:KMAT:MBF <b>
:CALC:CURREN:KMAT:MUN 'X'
:CALC:CURREN:STAT:ON
```

Where <m> is the m factor, is the b factor, and 'X' is the math unit.

To set the math operations for a different function, change **CURRENt** to **VOLTage** for voltage measurements or **CONCurrenT** for concurrent measurements.

NOTE

For concurrent measurements, the math operations are applied only to current measurements.

Relative offset

When making measurements in the power supply function, you may want to subtract an offset value from a measurement.

NOTE

In the battery test and battery simulation function, this feature is not applied.

The relative offset feature subtracts a set value or a baseline reading from measurement readings. When you enable relative offset, all measurements are recorded as the difference between the actual measured value and the relative offset value. The formula to calculate the offset value is:

Displayed value = Actual measured value - Relative offset value

When a relative offset value is established for a measurement function, the value is the same for all ranges for that measurement function. For example, if 2 A is set as the relative offset value on the 10 A range, the relative offset value is also 2 A on the 1 A, 100 mA, and 10 mA ranges.

On the front panel, when relative offset is enabled, the REL indicator to the right of the measured value is displayed.

A relative offset value is saved for each function. If you change the measurement function, the relative offset value is changed to the setting for that measurement function.

The relative offset is applied to the measurement before any math functions. For more information on the order in which operations are performed, see [Displayed measurements](#) (on page 4-14).

NOTE

When you select the concurrent measurement function, relative offset only applies to current measurements and does not affect voltage measurements.

Establishing a relative offset value

You can use the 2281S-20-6 to automatically determine the relative offset, or you can assign a specific relative offset value.

Setting a relative offset value

You can set a specific relative offset value using the front panel or the remote commands.

Using the front panel:

1. Select the measurement function. The relative offset will be applied to this function. For more information, you can refer to [Select a measurement function](#) (on page 2-80).
2. Press the **MENU** key.
3. Under Measure, select **Rel/Filter**.
4. Select the button next to **Reference** and enter a value.

Using SCPI commands:

Send the commands:

```
:SENS:FUNC "VOLT"  
:SENS:VOLT:REF <n>  
:SENS:VOLT:REF:STAT ON
```

Where <n> is the amount of the offset.

To set the relative offset for another function, replace **VOLTage** with **CURRent** or **CONCurrent**.

Turning on the relative offset

Using the front panel:

1. Select the measurement function. The relative offset will be applied to this function. For more information, you can refer to [Select a measurement function](#) (on page 2-80).
2. On the SETTINGS swipe screen 2, press the **Calculate** soft key. The Calculate dialog box is displayed.
3. Press the button next to Rel. The REL indicator to the right of the measurement is displayed.

Quick Tip

The relative offset feature can also be enabled or disabled by selecting **MENU > Rel/Filter > Rel State**, and then selecting **On or Off**.

Using SCPI commands:

Send the command:

```
:SENS:VOLT:REF:STATe ON
```

To set the relative offset for another function, replace **VOLTage** with **CURRent** or **CONCurrent**.

NOTE

The default reference value is 0.

Automatically acquiring a relative offset value

When you automatically acquire a relative offset value, the 2281S-20-6 performs the following actions:

- Makes a new measurement.
- Stores the measurement as the new relative offset level.

Using the front panel:

1. Select the measurement function. The relative offset will be applied to this function. For more information, you can refer to [Select a measurement function](#) (on page 2-80).
2. Press the **MENU** key.
3. Under Measure, select **Rel/Filter**.
4. Select the button next to **Rel Acquire**.

NOTE

Before you automatically acquire a reference for relative offset, make sure that the trigger model is not in idle mode, set the arm and trigger source to immediate, and turn on the output. For more information about the trigger model, see [Trigger model](#) (on page 3-27).

Using SCPI commands:

Send the commands:

```
:SENS:FUNC "VOLT"  
:SENS:VOLT:REF:ACQ  
:SENS:VOLT:REF:STAT ON
```

To acquire a relative offset value for another function, replace `VOLTage` with `CURRent` or `CONCurent`.

Displayed measurements

When you make measurements, the instrument may perform operations on the measured values that affect what you see on the display and the measurements that are stored in the buffer.

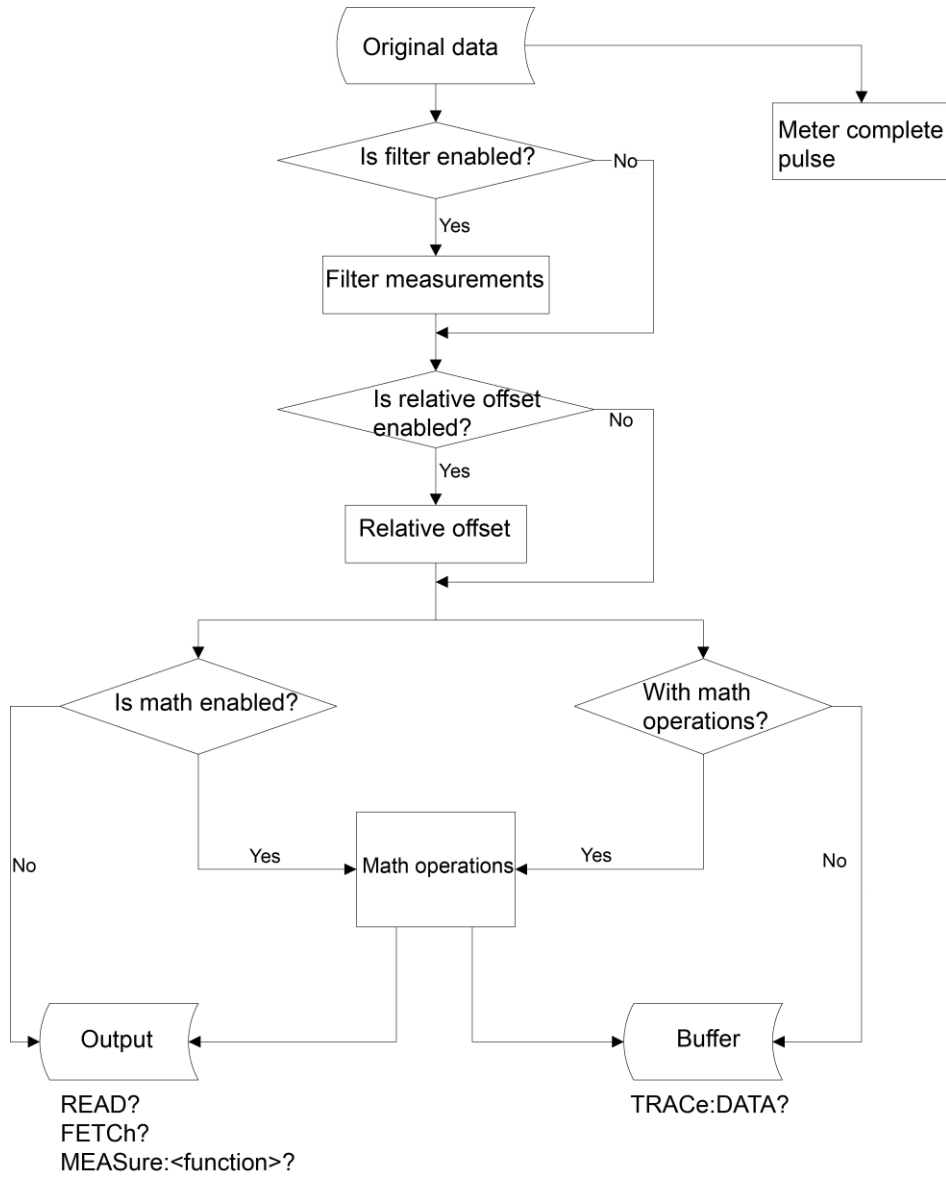
The operations that can affect the measurement display are:

- Filter operations
- Relative offset
- Math operations

If none of these operations are set, the value that is displayed on the front panel is the actual measurement reading.

If any of these operations are set, the value that is displayed is the measurement reading with these operations applied. For example, if you made a measurement and had a relative offset, the measured value would have the relative offset applied. For details, refer to the following data flow figure.

Figure 109: Data flow



Select the source of readings

You can select the source of readings saved to the buffer using the front panel or SCPI commands.

Using the front panel:

1. Press the **MENU** key.
2. Under Measure, select **Math**.
3. Select the button next to Buffer Data Type. The type selection window is displayed.
4. Select **Reading** or **CALC**.

The **Reading** option selects readings before any math calculation. For the **CALC** option, the result of the math calculation is stored in the buffer.

Using SCPI commands:

To select the source of readings before the math calculation, send the commands:

```
:TRAC:FEED SENS
```

To save the source of readings after the math calculation, send the commands:

```
:TRAC:FEED CALC
```

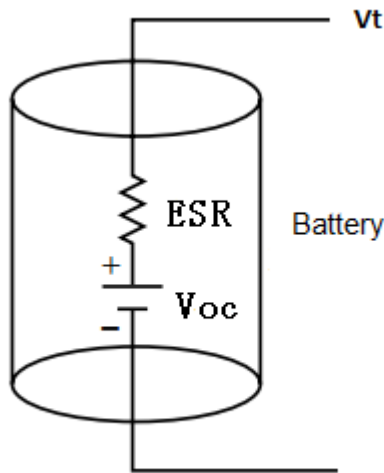
ESR measurement

The 2281S-20-6 can measure battery resistance (ESR) only when it is in the battery test function.

Introduction to the ESR measurement

The following figure shows a battery under test simplified as a resistance with constant voltage. During the charging and discharging, its voltage and resistance will change based on the charging of the SOC. Usually during the charging, the voltage only goes up and the resistance only goes down. During the discharging, the voltage only goes down and the resistance only goes up.

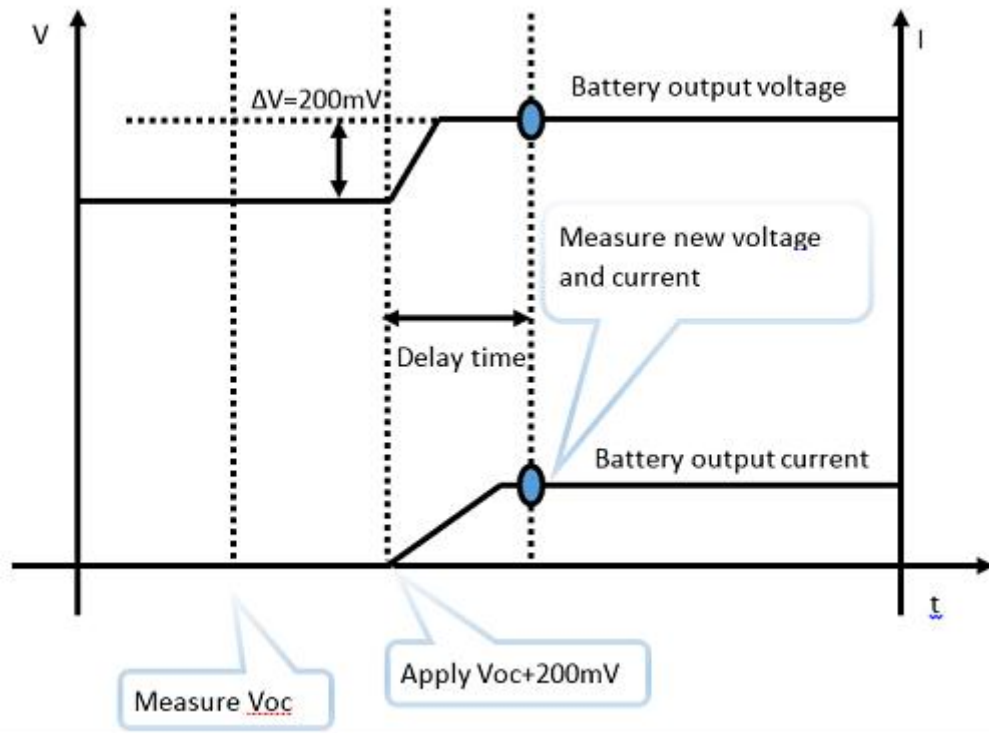
Figure 110: Battery equivalent



In the figure above, V_{oc} is the open circuit voltage. ESR represents the battery resistance. V_{oc} plus the voltage change (up or down) during the charging or discharging is V_t .

The 2281S-20-6 adopts the open circuit measurement method to measure ESR in the battery test function.

Figure 111: Open circuit ESR measurement



As we can see from the figure, the procedure of the measurement is as follows:

1. 2281S-20-6 is first set to a high-resistance state (approximately 130,000 Ohm).
2. Measure the open circuit voltage V_{oc} .
3. The instrument starts to output power.
4. Set the output voltage as $V_{oc} + 200\text{ mV}$, and also set the Delay.
5. After the delay time, measure the voltage and the current of the battery when they are stable.
6. The instrument computes the battery resistance by $ESR = \Delta V / \Delta I$.

Since a battery is not just a resistance with a voltage but works with complicated chemical reactions, it takes a while for the battery to react to the input source. Therefore setting a suitable delay time is critical for the accuracy of the ESR measurements.

You can gradually increase the delay time until the delay time change does not affect the result significantly.

Measuring ESR in the battery test function

To measure ESR in the battery test function:

Using the front panel:

1. Connect the battery to the instrument.
2. Select the battery test function in the startup screen.
3. Press the **MENU** key.
4. Under Measure, select **ESR**.
5. Set the **VOC**.
6. Set the **ESR/Voc delay**.
7. Press the button **Measure**. The measurement starts.

Using SCPI commands:

Connect the battery to the instrument.

Send the command

```
:BATT:TEST:SENS:ESR:DELA 0.05
```

to set the ESR delay to 0.05

Then send:

```
:BATT:TEST:MEAS:EVOC?
```

The values of ESR and Voc are returned.

A-H measurement

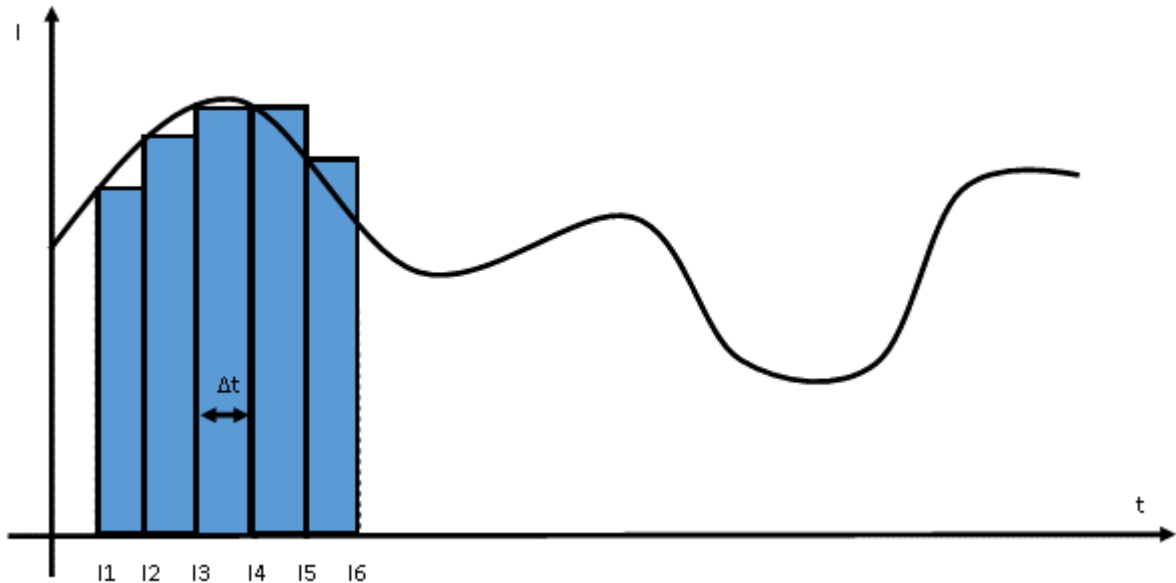
The 2281S-20-6 can measure the battery capacity (A-H) only when it is in the battery test function.

The instrument discharges the battery fully and then charge it fully, the charging capacity in whole represents the battery capacity.

Introduction to the A-H measurement

With its 6 1/2 digits multimeter, 2281S-20-6 can sample the charging current continuously at a high frequency during the battery test, as shown in the following figure.

Figure 112: 2281 Sampling charging current



The capacity is computed integrally by $A-H = \sum I(n) \cdot \Delta t$, where Δt is determined by the sampling interval.

The procedure of the measurement is as follows:

1. Connect 2281S-20-6 to the battery.
2. Fully discharge the battery.
3. Set the target voltage V-Full, which is customarily 5% higher than the fully-charged battery voltage.
4. Set the End condition, which is the end current that stops the charging.
5. Set the sampling interval.
6. The instrument computes the battery capacity after the measurement.
7. You can also generate a battery model.

Measuring A-H in the battery test function

To measure the battery capacity in the battery test function:

Using the front panel:

1. Connect the battery to the instrument.
2. Select the battery test function in the startup screen.
3. Press the **MENU** key.
4. Under **Source**, select **(dis)charge**.
5. Set the target voltage next to **V-Set**.
6. Set the end current next to **End condition**.
7. Turn **OUTPUT** on in the front panel to discharge the battery.

WARNING

2281S-20-6 always absorb current at its maximum capacity, which is approximately 1 A. This sink current is not programmable. If the maximum output current of the battery under test is less than 1 A, you should connect a resistor between the instrument and the battery to prevent the battery from switching into protection mode or being damaged.

8. Under **Measure**, select **A-H**.
9. Set the target voltage next to **V-Full**.
10. Set the maximum charging limit next to **Source I-Limit**.
11. Set the end current next to **End condition**.
12. Return to the battery test home screen by pressing **HOME** on the front panel.
13. Select **Measure AH** in the soft key area 3.
14. Set the state to **On**. Then the charging starts.
15. Save the measurement data to the internal memory.

NOTE

You can view the charging process by selecting **Graph** or **Data Sheet** in the soft key area 2 when the charging is in progress.

Using SCPI commands:

Connect the battery to the instrument.

Send the commands:

```
:BATT:TEST:VOLT V1
:BATT:TEST:CURR:END A1
```

- Set the discharging target voltage to V1.
- Set the end current to A1.

Send the commands:

```
:BATT:TEST:SENS:AH:VFUL V2
:BATT:TEST:SENS:AH:ILIM A2
:BATT:TEST:SENS:AH:END 0.001
:BATT:TEST:SENS:AH:ESRI S30
```

- Set the V-Full to V2.
- Set the maximum charging limit to A2.
- Set the end current to 1 mA.
- Set the sampling interval to 30 s.

Send the commands:

```
:BATT:TEST:SENS:AH:EXEC STAR
:STAT:OPER:INST:ISUM:COND?
:BATT:TEST:SENS:AH:GMOD:RANG 2.5, 3.7
:BATT:TEST:SENS:AH:GMOD:SAVE:INTE 1
```

- Start the measurement.
- Query whether the measurement is done.
- Set the range for generating battery model if needed.
- Save the battery model to internal memory.

NOTE

The values V1, V2, A1, and A2 are to be provided by the battery manufacturer, and improper settings might damage the battery.

Application examples

In this section:

Simple voltage output and current measurement.....	5-1
Configure and execute a 10-step linear list sweep.....	5-3
Perform a fast current load measurement.....	5-6
Battery test.....	5-12
Battery simulation test.....	5-15

Simple voltage output and current measurement

This example demonstrates how to configure a voltage output make a precision voltage and current measurement using the default instrument configuration. This measurement is made in the power supply fuction.

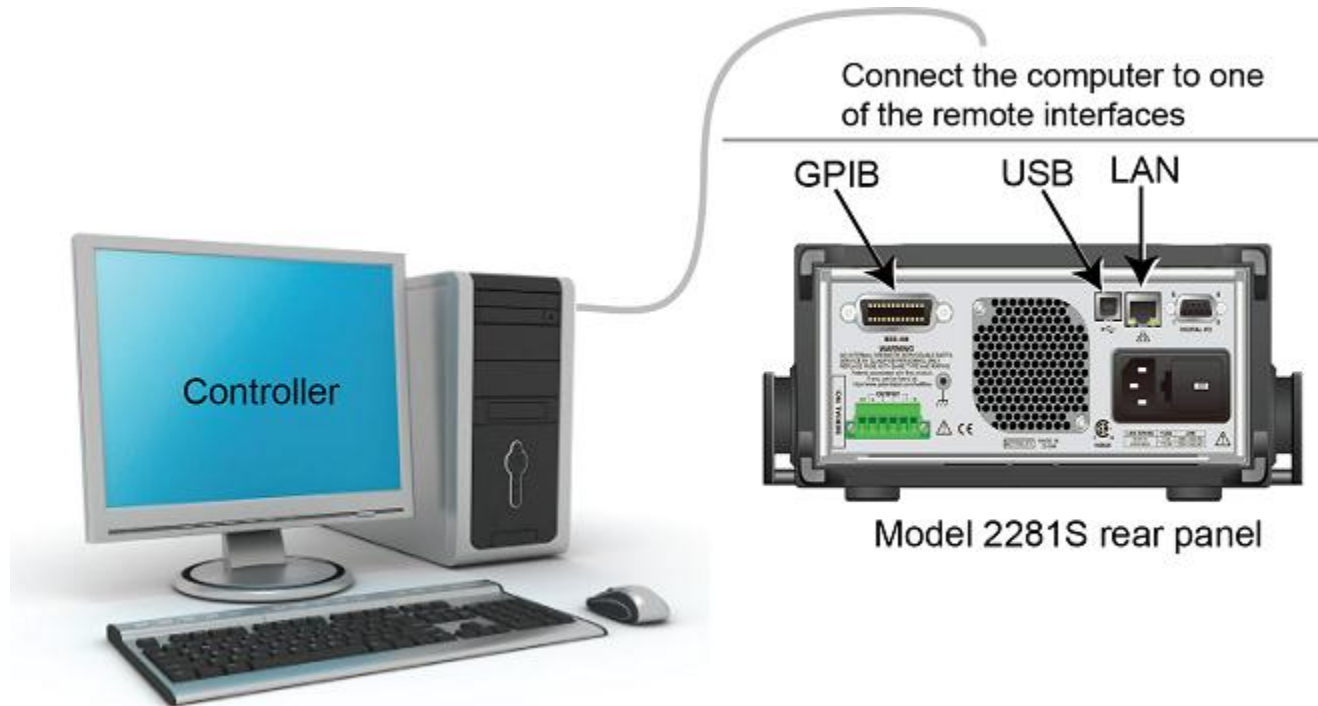
Equipment required

- One 2281S-20-6 power supply
- 1 k Ω resistor
- Two banana cables

Set up remote communications

You can run this application from the front panel or any of the supported communication interfaces for the instrument (GPIB, USB, or ethernet).

The following figure shows the rear-panel connection locations for the remote communication interfaces. For additional information about setting up remote communications, see [Remote communication interfaces](#) (on page 2-55).



Device connections

Connect the DUT (for this example, a 1 k Ω resistor) to the output binding posts on the front panel. For details, refer to [Two-wire local sense connection](#) (on page 2-50). You also can use four-wire connections to compensate for voltage drops on the load leads.

Set the voltage and current limit

To set the voltage and current limit on the front panel:

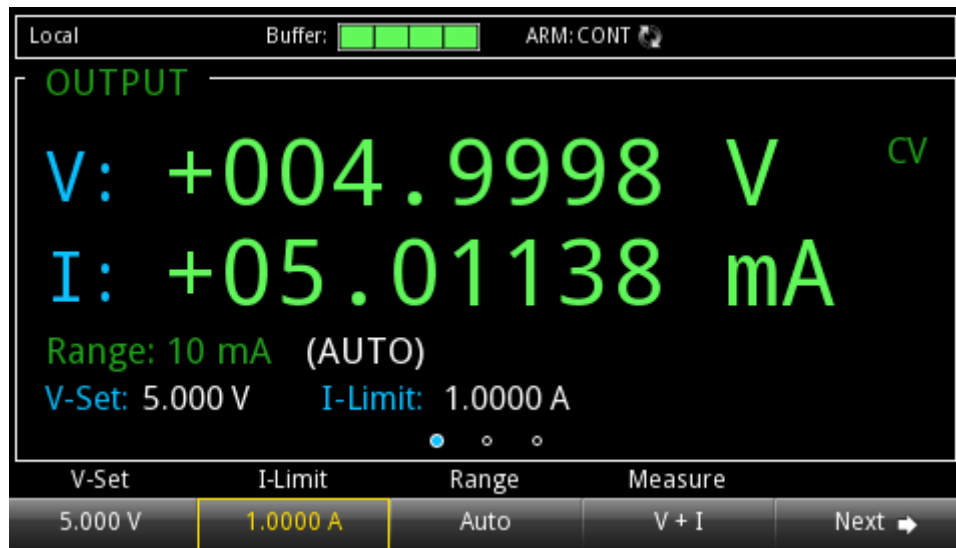
1. In the startup screen, choose the power supply function. The power supply Home screen is displayed.
2. Press the **V-Set** soft key. The editing window is displayed at the bottom.
3. Set the voltage to 5 V. Enter 5 using the numerical keys on the right of the front panel. You can also change the value using either the arrows keys or navigation control.
4. Press the **I-Limit** soft key. The editing window is displayed at the bottom.
5. Set the current limit to 1 A. Press **ENTER**.

⚠ CAUTION

When the output is turned on, changing the value with the navigation control can source voltage and current instantly. Make sure the output does not damage your device under test (DUT).

- Press the **OUTPUT** switch to turn the output on.

Figure 113: Voltage and current readback



To set the voltage and current limit, send the following SCPI commands:

```
*RST
:VOLT 5
:CURR 1
:OUTP ON
:INIT:CONT ON
```

Configure and execute a 10-step linear list sweep

This example demonstrates the steps to set up the power supply to output a linear list sweep from 1 V to 10 V in 1 V steps (default settings). Each step in the list sweep will dwell for 3 seconds. The list is stored in list location 1. The output turns on at 0 V and return to 0 V at the end of the list execution.

This measurement is made in the power supply fuction.

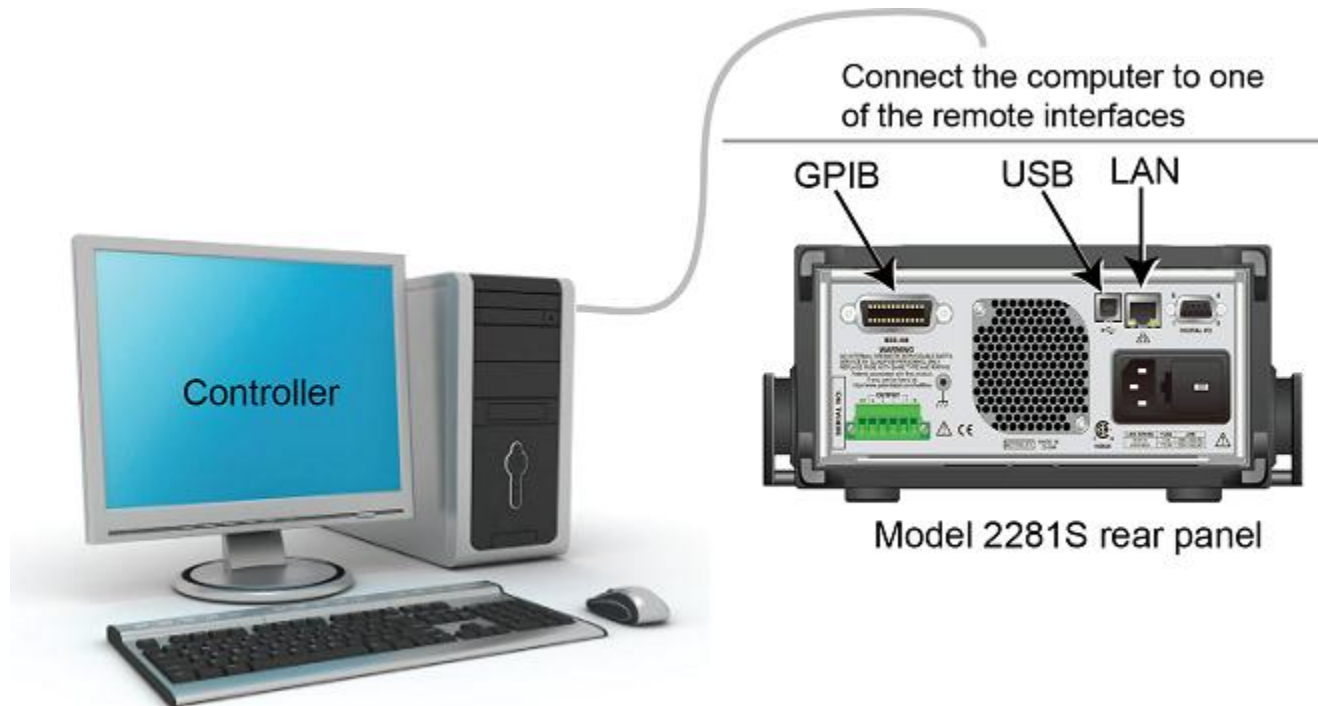
Equipment required

- One 2281S-20-6 power supply
- 1 k Ω resistor
- Two banana cables

Set up remote communications

You can run this application from the front panel or any of the supported communication interfaces for the instrument (GPIB, USB, or ethernet).

The following figure shows the rear-panel connection locations for the remote communication interfaces. For additional information about setting up remote communications, see [Remote communication interfaces](#) (on page 2-55).



Device connections

Connect a 1 k Ω resistor to the output binding posts on the front panel. For details, refer to [Two-wire local sense connection](#) (on page 2-50). You also can use four-wire connections to compensate for voltage drops on the load leads.

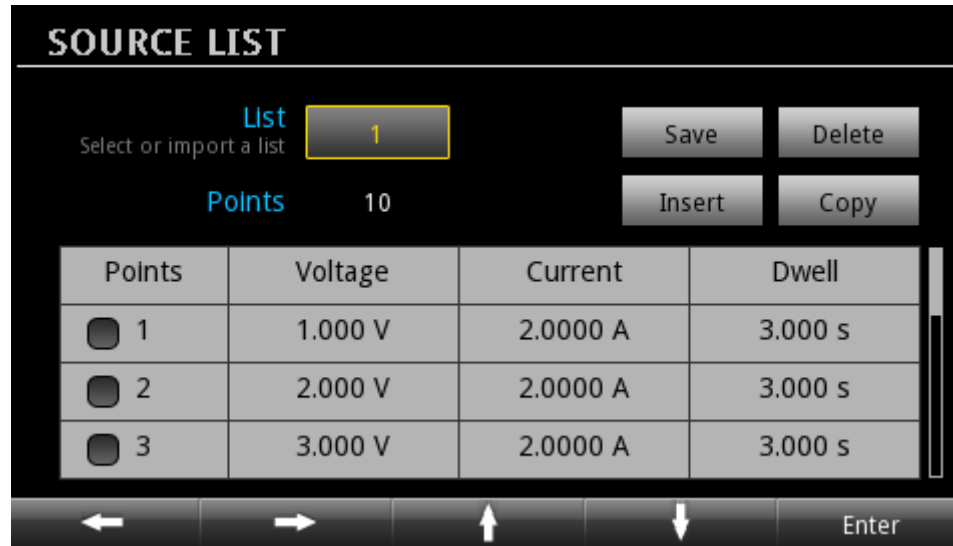
Configure a 10-step linear list sweep

To configure a list on the front panel:

1. In the startup screen, choose the power supply function.
2. Press the **MENU** key.
3. Under Measure, highlight the **List** icon using either the navigation control or the soft keys. Press **ENTER**.
4. Select point 1 and press **ENTER** to select the box.
5. Highlight **Insert** and press **ENTER** to increment the points display until it reads 10.
6. Select the Voltage box in the point 1 row. Press **ENTER**.
7. Make the value 1 V and press **ENTER**.
8. Select the Current box in the point 1 row. Press **ENTER**.

9. Make the value 2 A and press **ENTER**.
10. Select the Dwell box in the point 1 row. Press **ENTER**.
11. Make the value 3 s and press **ENTER**.
12. Repeat steps 5 to 8 for points 2 to 10 and increase the voltage by 1 V at each higher step.
13. Select the **Save** button to store the list in memory location 1.
14. Enter a name for the list on the displayed keypad and press **ENTER**.
15. Press the **EXIT** key.

Figure 114: Edit a 10-step list



To delete a row on the front panel:

1. Highlight the Points cell of the row you want to delete.
2. Press **ENTER** to select the cell row.
3. Navigate to **Delete**.
4. Press **ENTER**.

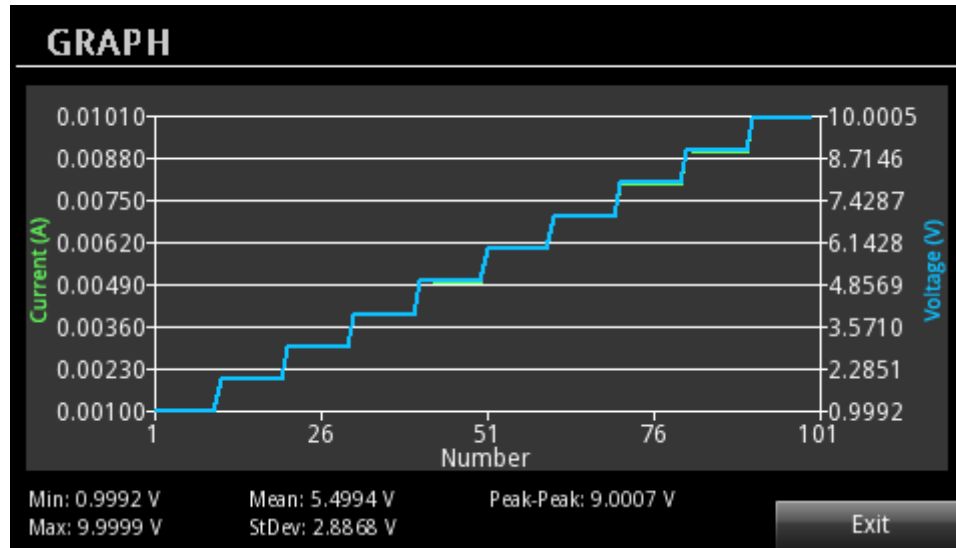
Execute a 10-step linear list sweep

To execute a list sweep on the front panel:

1. In the startup screen, choose the power supply function.
2. Press the **MENU** key.
3. Under Trigger, highlight the **Configure** icon using either the navigation control or the soft keys. Press **ENTER**.
4. Select the button next to **Sample Count** and press the **ENTER** key.
5. Set the sample count to 10.
6. Press the **HOME** key.
7. Press the **NEXT** soft key twice to navigate to the 3rd Home screen.
8. Press the **List** soft key. The List dialog box is displayed.
9. If the **Number** soft key is not showing a 1, press the **Number** soft key and enter the value, 1.
10. Press the **Enable** soft key to run list 1.

To view the measurements on the front panel:

1. Press the **Exit** key to close the List dialog box.
2. Press the **View** soft key under Graph to view a plot of the measurements.

Figure 115: Graph view of 10-step linear list sweep**To configure and execute a list sweep using SCPI commands:**

```
*RST
:SENS:CONC:NPLC 1
:LIST1:VOLT "1.0, 2.0, 3.0, 4.0, 5.0, 6.0, 7.0, 8.0, 9.0, 10.0"
:LIST1:CURR "2.0, 2.0, 2.0, 2.0, 2.0, 2.0, 2.0, 2.0, 2.0, 2.0"
:LIST1:DWEL "3.0, 3.0, 3.0, 3.0, 3.0, 3.0, 3.0, 3.0, 3.0, 3.0"
:LIST:SAVE:INTE 1
:LIST:RCL 1
:ARM:SOUR BUS
:TRIG:SOUR IMM
:TRIG:COUN 10
:TRIG:SAMP:COUN 10
:TRAC:CLE
:TRAC:FEED:CONT NEXT
:TRAC:FEED SENS
:TRAC:POIN 100
:LIST:STAT ON
:INIT
*TRG
*WAI
:TRAC:DATA? "READ, SOUR"
```

Perform a fast current load measurement

The following example demonstrates how to configure the power supply to perform a fast current measurement initiated by an external trigger on digital line 1.

This measurement is made in the power supply function.

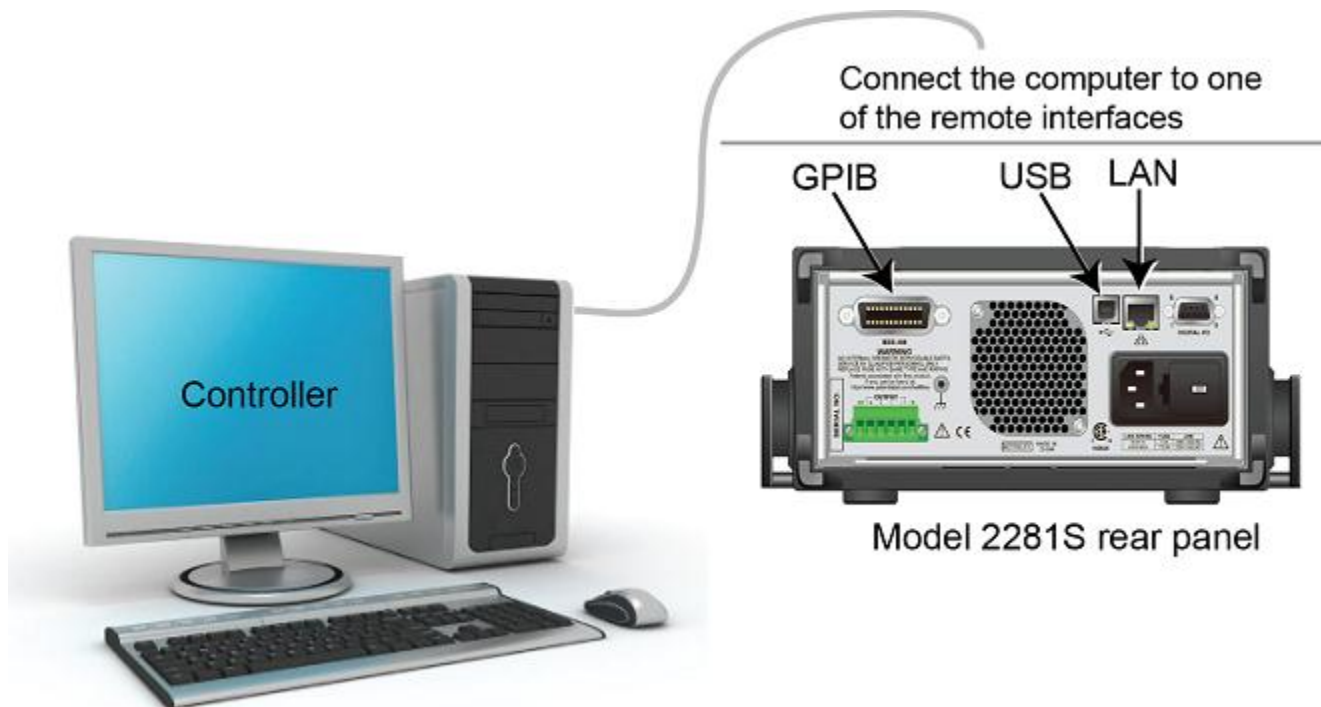
Equipment required

- One 2281S-20-6 power supply
- Dual-channel arbitrary function generator (Tektronix AFG3102C)
- Oscilloscope
- Resistors: 2.5 Ω and 20 Ω
- nMOSFET

Set up remote communications

You can run this application from the front panel or any of the supported communication interfaces for the instrument (GPIB, USB, or ethernet).

The following figure shows the rear-panel connection locations for the remote communication interfaces. For additional information about setting up remote communications, see [Remote communication interfaces](#) (on page 2-55).

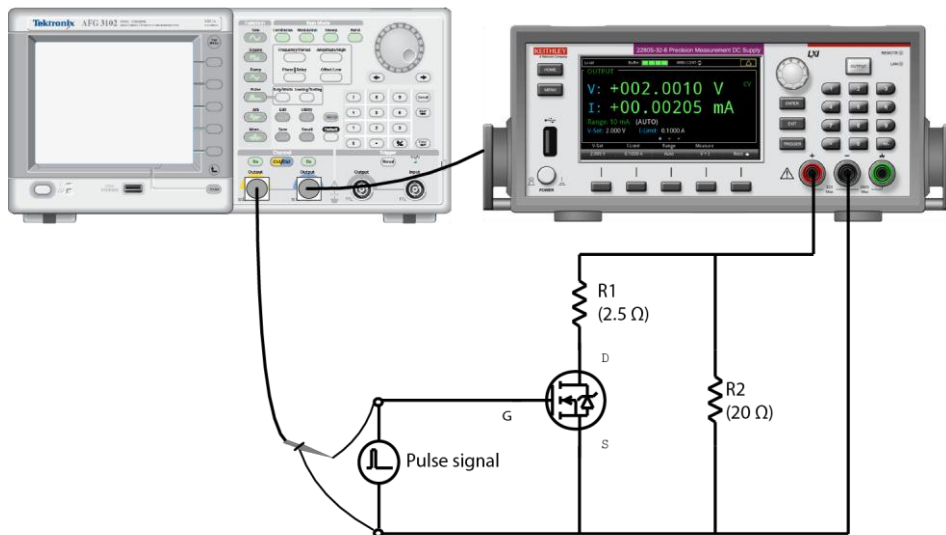


Device connections

Use a Tektronix two-channel AFG (for example, AFG3102C or equivalent) to generate two synchronous pulse signals. One signal is used to control the on and off state of nMOSFET. The other is used as the external triggering signal for 2281S-20-6. For details, refer to the following table.

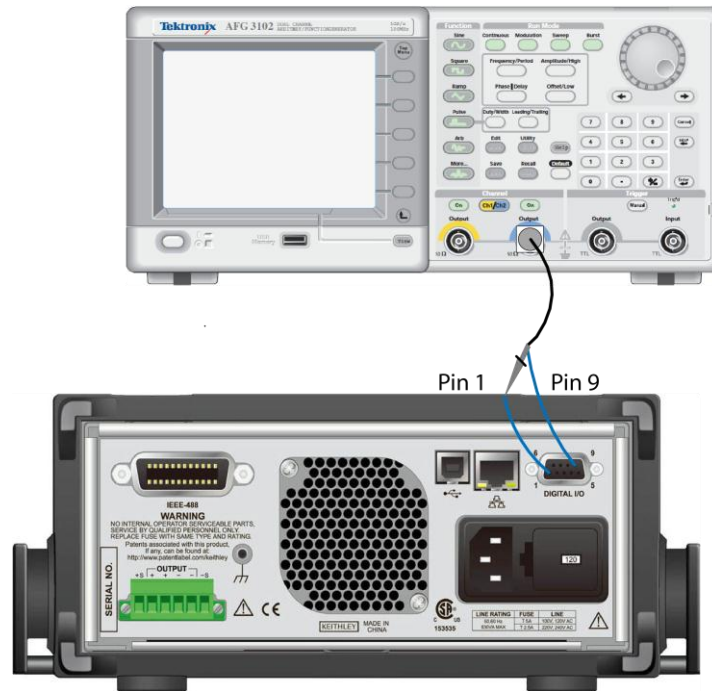
Parameter	nMOSFET control	2281S-20-6 external triggering
Vpeak-peak	3 V	3 V
Offset	1.5 V	1.5 V
Period	20 ms	20 ms
Duty	2 ms	10 μ s
Invert	Off	On

Figure 116: Fast current measurements setup



Connect the digital I/O pin 1 and pin 9 with AFG output channel. For details on digital I/O, refer to [Digital I/O](#) (on page 3-19).

Figure 117: Digital I/O connection



Measure the fast current load changes

To perform a fast current load measurement on the front panel:

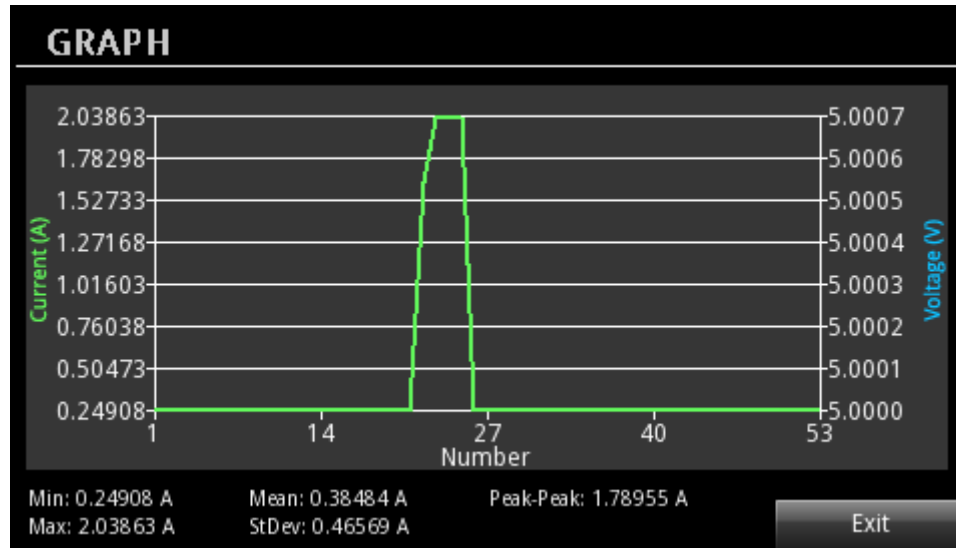
1. In the startup screen, choose the power supply function.
2. Press the **MENU** key.
3. Under Measure, select **Settings**.
4. Select the button next to Function and press the **ENTER** key. The function dialog box is displayed. Select the current measurement.
5. Select the button next to **Range** and press the **ENTER** key. The range dialog box is displayed. Use the up and down arrow soft keys to select the 10 A range.
6. Select the button next to **Auto Zero** and press the **ENTER** key. The Auto zero dialog box is displayed. Select **Off**.
7. Select the button next to **NPLC** and press the **ENTER** key. The number of power line cycles (NPLC) dialog box is displayed.
8. Set the NPLC to 0.01.
9. Connect the external trigger signal to digital I/O line 1 on the rear panel. For details on digital I/O line, refer to the table after the end of the steps.
10. Press the **MENU** key.
11. Under Trigger, select **Configure**.
12. Select the button next to Arm Source and press the **ENTER** key. Select **External**.
13. Select the button next to Sample Count and press the **ENTER** key. Set the sample count to 30.
14. Press the **HOME** key.
15. Press the **V-Set** or **I-Limit** soft key. The editing window is displayed at the bottom of the screen.
16. Set the voltage to 5 V and current limit to 3 A.
17. Press the **OUTPUT** switch to turn on the output.

Pin	Description
1	I/O line 1
2	I/O line 2
3	I/O line 3
4	I/O line 4
5	Vext line (relay flyback diode protection)
6	I/O line 5
7	+5 V line
8	I/O line 6
9	Ground

To view the current measurements on the front panel:

1. Press the **MENU** key.
2. Under Views, select **Graph**. You can view the current measurements.

Figure 118: Graph view of load current

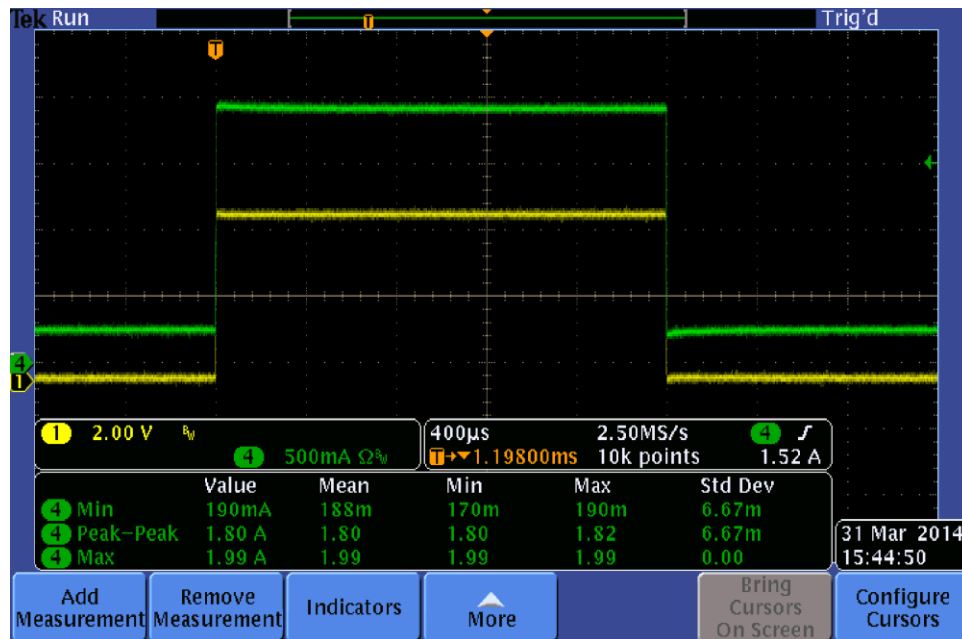


NOTE

When the resistive load is too large (for example, 32 MΩ), the settling time for the source increases. As a result, the instrument perform a slow current measurements.

The following graphic shows the Tektronix oscilloscope plot of the generator pulse output and the load current. The green waveform shows the changes of load current and the yellow waveform shows the pulse output.

Figure 119: Oscilloscope plot



To perform a fast current load measurement using SCPI commands:

```
*RST
VOLT 5
CURR 3
SENS:FUNC "CURR"
SENS:CURR:NPLC 0.01
SENS:CURR:RANG:AUTO OFF
SENS:CURR:RANG 10
SYST:AZER OFF
DIG:LINE1:FUNC AUTO
INIT:CONT ON
TRIG:SOUR EXT
TRIG:COUN 1
TRIG:SAMP:COUN 30
OUTP ON
INIT
TRAC:DATA? "READ"
```

Battery test

The following example demonstrates the procedure of conducting a battery test and generating a battery model with 2281S-20-6 in the battery test function.

Equipment required

- One Precision DC Supply and Battery Simulator
- Rechargeable batteries
- Wires

Device connections

The battery under test and 2281S-20-6 can be connected by two-wire sense connection. However, four-wire sense connection is recommended because it can cancel out the wire resistance.

For details, refer to [Two-wire local sense connection](#) (on page 2-50) and [Four-wire sense connection](#) (on page 2-51).

If you do use a two-wire sense connection, you can use the Offset function of 2281S-20-6 to cancel out the effect of the wire resistance. For details, refer to [Relative offset](#) (on page 4-12).

Test a battery and generate a battery model

To measure the battery capacity and generate a battery model in the battery test function:

To test a battery and generate a battery model using the front panel:

1. Connect the battery to the instrument.
2. Select the battery test function in the startup screen.
3. Press the **MENU** key.
4. Under **Source**, select **(dis)charge**.
5. Set the target voltage next to **V-Set**. Take a lithium battery as example, say it works in the range of 3.8 V to 4.2 V, you need to set the target voltage lower than 3.8 V.
6. Set the end current next to **End condition**.
7. Turn **OUTPUT** on in the front panel to discharge the battery.

WARNING

2281S-20-6 always absorb current at its maximum capacity, which is approximately 1 A. This sink current is not programmable. If the maximum output current of the battery under test is less than 1 A, you should connect a resistor between the instrument and the battery to prevent the battery from switching into protection mode or being damaged.

8. Under **Measure**, select **A-H**.
9. Set the target voltage next to **V-Full**. If the battery works in the range of 3.8 V to 4.2 V, set this value slightly higher than 4.2 V.
10. Set the maximum charging limit next to **Source I-Limit**.
11. Set the end current to 10 mA next to **End condition**.
12. Return to the battery test home screen by pressing **HOME** on the front panel.
13. Select **Measure AH** in the soft key area 3.
14. Set the state to **On**. Then the charging starts with measurement result (voltage/current/Amp-Hour) displayed on the screen.
15. Select **Model: Generate** after entering the soft key **Measure AH** when the charging is finished.
16. Set the Voc range for the battery model.
17. Set a name to the battery model.
18. Select **Yes** to save the battery model. 2281S-20-6 can save up to 9 battery models.

NOTE

You can view the charging process by selecting **Graph** or **Data Sheet** in the soft key area 2 when the charging is in progress.

To test a battery and generate a battery model using SCPI commands:

Connect the battery to the instrument.

Send the commands:

```
:BATT:TEST:VOLT V1
:BATT:TEST:CURR:END A1
:BATT:OUTP ON
```

- Set the discharging target voltage to V1.
- Set the end current to A1.
- Turn **OUTPUT** on in the front panel to discharge the battery.

Send the commands:

```
:BATT:TEST:SENS:AH:VFUL V2
:BATT:TEST:SENS:AH:ILIM A2
:BATT:TEST:SENS:AH:END 0.001
:BATT:TEST:SENS:AH:ESRI S30
```

- Set the V-Full to V2.
- Set the maximum charging limit to A2.
- Set the end current to 1 mA.
- Set the sampling interval to 30 s.

Send the commands:

```
:BATT:TEST:SENS:AH:EXEC STAR
:STAT:OPER:INST:ISUM:COND?
:BATT:TEST:SENS:AH:GMOD:RANG 2.5, 3.7
:BATT:TEST:SENS:AH:GMOD:SAVE:INTE 1
```

- Start the measurement.
- Query whether the measurement is done.
- Set the range for generating battery model if needed
- Save the battery model to the internal memory.

NOTE

The values V1, V2, A1, and A2 are to be provided by the battery manufacturer. Improper settings might damage the battery.

Battery simulation test

The following example demonstrates the procedure of simulating a battery with 2281S-20-6 in the battery simulation function.

Equipment required

- One Precision DC Supply and Battery Simulator
- A cellphone supplied by a battery
- Wires

Device connections

The device under test and 2281S-20-6 can be connected by two-wire sense connection, as shown in the following figure. However, four-wire sense connection is recommended because it can cancel out the wire resistance.

Figure 120: Battery simulation device connection



For other details, refer to [Two-wire local sense connection](#) (on page 2-50) and [Four-wire sense connection](#) (on page 2-51).

If you do use a two-wire sense connection, you can use the Offset function of 2281S-20-6 to cancel out the effect of wire resistance. For details, refer to [Relative offset](#) (on page 4-12).

Simulate a battery with 2281S-20-6

To simulate a battery with 2281S-20-6 using the front panel:

1. Select the battery simulator function in the startup screen.
2. Select **Model** in the soft key area 1.
3. Choose **1.mdl**, since it is the model of a cellphone lithium battery normally seen in the market with a voltage range of 3.7 V to 4.2 V.
4. Press the **MENU** key.
5. Under **Battery**, select **Settings**.
6. Set **Method** to **Dynamic**. The Voc and SOC of the simulated battery change based on the charging and discharging, like a real battery.
7. Set **Full V** and **Empty V** as the range of the simulated battery.
8. Return to the battery simulator home screen by pressing **HOME** on the front panel.
9. Select **I-Limit** in the soft key area 2. The maximum discharging current cannot be set higher than 3 A.
10. Return to the menu.
11. Under **Battery**, select **Settings**.
12. Set **SOC** to 80 % and **Voc** to 4.1234 V. The value of Voc must be within the **Empty V** and **Full V**. The value of **SOC** changes according to the value of **Voc**, and vice versa.
13. Return to the home screen. Set **Capacity** to 200 mAh in soft key area 2. This capacity is set to accelerate the charging and discharging for better efficiency of the test.
14. Turn **OUTPUT on** in the front panel to start the battery simulation.

To simulate a battery using SCPI commands:

To select model 1, send the command:

```
:BATT:MOD:RCL 1
```

The working range of model 1 is 3.7~4.2V.

To set the simulation mode to **Dynamic**, send the command:

```
:BATT:SIM:METH DY
```

To set the V-full to 4.2 V, send the command:

```
:BATT:SIM:VOC:FULL 4.2
```

To set the V-empty to 3.8 V, send the command:

```
BATT:SIM:VOC:EMPT 3.8
```

To set the current limit to 3 A, send the command:

```
:BATT:SIM:CURR:LIM 3
```

To set SOC to 80 %, send the command:

```
:BATT:SIM:SOC 80
```

The Voc value changes accordingly.

To set the battery capacity to 200 mAh, send the command:

```
:BATT:SIM:CAP:LIM 200mAh
```

To set output on to start the simulation, send the command:

```
:BATT:OUTP ON
```

Explanations of the test

During the simulation test, when you turn on the cellphone, you can see from the display that the battery simulator is sourcing the cellphone and the current is positive. As the cellphone operates, the values of SOC and Voc are decreasing. When the voltage is low enough, the cellphone turns off automatically under the assumption that the capacity is not enough to source it. The Voc measured at this point is the battery turn-off voltage.

When you connect the cellphone to a charger, the current is input into the 2281S-20-6, and the current is represented as negative on the display. During the charging, the values of SOC, Voc, and Vt are increasing along with the battery capacity. When the simulated battery is fully charged, the cellphone will stop charging, and the Voc measured at this point is the fully-charged voltage V-full.

NOTE

The 2281S-20-6 normally absorbs current at maximum of 1 A. When the charger cannot output current up to 1 A, the battery simulator is being charged with the charger's maximum output current in CC mode. When the Vt value reaches the output voltage of the charger, the charging is switched to CV mode until the charging stops.

If the charger output current higher than 1 A, the instrument absorbs current at its maximum and the Vt value is gradually raised to the output voltage of the charger until the charging stops.

Also when the cellphone is consuming the capacity intensely, you can see that there is significant difference between Voc and Vt, which is caused by the internal resistance of the simulated battery. The larger the current, the more significant the difference.

Introduction to SCPI commands

In this section:

Introduction to SCPI	6-1
SCPI command programming notes	6-2

Introduction to SCPI

The Standard Commands for Programmable Instruments (SCPI) standard is a syntax and set of commands that is used to control test and measurement devices.

The following information describes some basic SCPI command information and how SCPI is used with the 2281S-20-6 and presented in the 2281S-20-6 documentation.

Command messages

A command message is made up of one or more command words sent by the controller to the instrument.

SCPI commands contain several command words that are structured to create command messages. The command words are separated by colons (:). For example, the command words used to enable an average filter are:

```
:SENSe:CONCurrenT:AVERAge:STATe ON
```

Many commands have query options. If there is a query option, it is created by adding a question mark (?) to the command. For example, to query the present state of the average filter, send:

```
:SENSe:CONCurrenT:AVERAge:STATe?
```

Commands often take parameters. Parameters follow the command words and a space. For example, to turn on the output, send:

```
:OUTPut:STATe ON
```

SCPI can also use common commands, which consist of an asterisk (*) followed by three letters. For example, you can reset the instrument by sending the following command:

```
*RST
```

The examples above show commands that are sent individually. You can also group command messages when you send them to the instrument. To group a set of commands, separate them with semicolons. For example, to reset the instrument, enable relative offset, and set a relative offset of 0.5 for the current function in the same message, send the command:

```
*RST; :SENSe:CURRent:REFerence:STATe ON; :SENSe:CURRent:REFerence 0.5
```

The colon (:) at the beginning of a command is optional. For example, the following commands are equivalent:

```
:SENSe:CONCurrent:REFeRence:STATe ON
SENSe:CONCurrent:REFeRence:STATe ON
```

Command execution rules

Command execution rules are as follows:

- Commands execute in the order that they are presented in the command message.
- An invalid command generates an error and is not executed.
- Valid commands that precede an invalid command in a command message are executed.
- Valid commands that follow an invalid command in a command message are ignored.

SCPI command programming notes

This section contains general information about using Standard Commands for Programmable Instruments (SCPI).

SCPI command formatting

This section describes the formatting that this manual uses when discussing SCPI commands.

SCPI command short and long forms

This documentation shows SCPI commands with both uppercase and lowercase letters. The uppercase letters are the required elements of a command. The lowercase letters are optional. However, if you choose to include the letters that are shown in lowercase letters, you must include all of them.

When you send a command to the instrument, case is not important — you can mix uppercase and lowercase letters in program messages.

For example, you can send the command `:DISPlay:CLEAr` in any of the following formats:

```
:DISPlay:CLEAr
:display:clear
:DISP:CLE
:dis:cle
```

Optional command words

If a command word is enclosed in brackets ([]), the command word is optional. Do not include the brackets if you send the optional command word to the instrument.

For example, you can send the command `:STATus:MEASurement[:EVENT]?` in any of the following formats:

```
:STATus:MEASurement:EVENT?
:STATus:MEASurement?
:STAT:MEAS:EVEN?
:STAT:MEAS?
```

MINimum, MAXimum, and DEFault

You can use `MINimum`, `MAXimum`, or `DEFault` instead of a parameter for some commands.

For example, you can set `<defaultParameter>` for the command

`:SENSe:CONCurent:NPLCycles <defaultParameter>` to the minimum, maximum, or default value. To set NPLC to the minimum value, you can send either of these commands:

```
:SENSe:CONCurent:NPLCycles MINimum
:SENS:CONC:NPLC MIN
```

Queries

Some commands are queries and others have a query option. These commands have a question mark (?) after the command. You can use the query to determine the present value of the parameters of the command or to get information from the instrument.

For example, to determine what the present setting for NPLC is, you can send:

```
:SENSe:CONCurent:NPLCycles?
```

This query returns the present setting.

If the command has `MINimum`, `MAXimum`, and `DEFault` options, you can use the query command to determine what the minimum, maximum, and default values are. In these queries, the ? is placed before the `MINimum`, `MAXimum`, or `DEFault` parameter. For example, to determine the minimum value for NPLC, you can send:

```
:SENSe:CONCurent:NPLCycles? MINimum
```

If you send two query commands without reading the response from the first, and then attempt to read the second response, you may receive some data from the first response followed by the complete second response. To avoid this, do not send a query command without reading the response. When you cannot avoid this situation, send a device clear before sending the second query command.

When you query a Boolean option, the instrument returns a 0 or 1, even if you sent OFF or ON when you originally sent the command.

SCPI parameters

The parameters of the SCPI commands are shown in angle brackets (< >). For example:

```
:SYSTem:BEEPer:ERRor:STATe <state>
```

The type of information that you can use to replace `<state>` is defined in the Usage section of the command description. For this example, the Usage is:

<code><state></code>	0 or OFF: Disable the beeper 1 or ON: Enable the beeper
----------------------------	--

For this example, you can enable the beeper by sending:

```
:SYSTem:BEEPer:ERRor:STATe ON
```

Note that you do not include the angle brackets when sending the command.

Sending strings

If you are sending a string, it must begin and end with matching quotes (either single quotes or double quotes). If you want to include a quote character as part of the string, type it twice with no characters in between.

A command string sent to the instrument must terminate with a <new line> character. The IEEE-488.2 EOI (end-or-identify) message is interpreted as a <new line> character and can be used to terminate a command string in place of a <new line> character. A <carriage return> followed by a <new line> is also accepted. Command string termination will always reset the current SCPI command path to the root level.

Using the SCPI command reference

The SCPI command reference contains detailed descriptions of each of the SCPI commands that you can use to control your instrument. Each command description is broken into several standard subsections. The figure below shows an example of a command description.

Figure 121: SCPI command description sample

:SYSTem:BEEPer:ERRor[:STATe]

This command allows you to turn the beeper on or off.

Type	Affected by	Where saved	Default value
Command and query	Recall settings Instrument reset Power cycle	Save settings	1 (ON)

Usage

```
:SYSTem:BEEPer:ERRor[:STATe] <state>
:SYSTem:BEEPer:ERRor[:STATe]?
```

<state> Disable the beeper: OFF or 0
 Enable the beeper: ON or 1

Details

This command enables or disables the beeper for error messages. When enabled, a beep signals that an error has happened.

Example

```
:SYSTem:BEEPer:ERRor ON      Enable the error beeper.
```

Also see

[:SYSTem:KCLick](#) (on page 7-104)

Each command listing is divided into five subsections that contain information about the command:

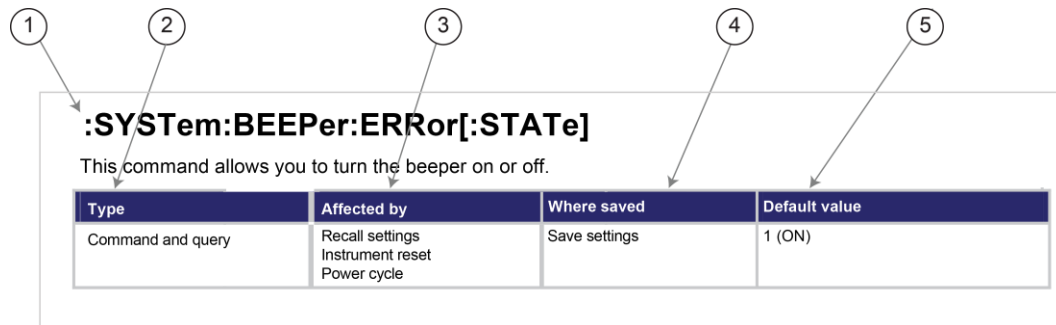
- Command name and summary table
- Usage
- Details
- Example
- Also see

The content of each of these subsections is described in the following topics.

Command name and summary table

Each instrument command description starts with the command name, followed by a table with relevant information for each command. Definitions for the numbered items below are listed following the figure.

Figure 122: SCPI command description table identification

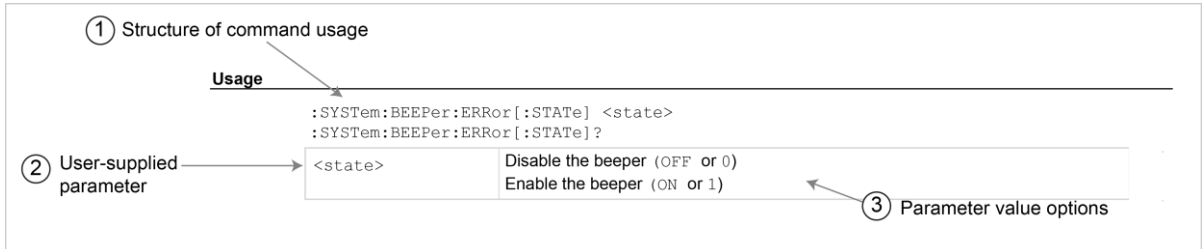


- Instrument command name.** Signals the beginning of the command description and is followed by a brief description of what the command does.
- Type of command.** Options are:
 - Command only.** There is a command but no query option for this command.
 - Command and query.** The command has both a command and query form.
 - Query only.** This command is a query.
- Affected by.** Commands or actions that have a direct effect on the instrument command.
 - Recall settings.** If you send `*RCL` to recall the system settings, this setting is changed to the saved value.
 - Instrument reset.** When you reset the instrument, this command is reset to its default values. Reset can be done from the front panel or when you send `*RST`.
 - Power cycle.** The settings for this command are not saved through a power cycle.
- Where saved.** Indicates where the command settings reside once they are used on an instrument. Options include:
 - Not saved.** Command is not saved and must be sent each time you use it.
 - Nonvolatile memory.** The command is stored in a storage area in the instrument where information is saved even when the instrument is turned off.
 - Save settings.** This command is saved when you send the `*SAV` command.
- Default value.** Lists the default value for the command. The parameter values are defined in the Usage or Details sections of the command description.

Command usage

The Usage section of the remote command listing shows how to properly structure the command. Each line in the Usage section is a separate variation of the command usage; all possible command usage options are shown here.

Figure 123: SCPI command description usage identification



- 1. Structure of command usage:** Shows how the parts of the command should be organized.
- 2. User-supplied parameters:** Indicated by angle brackets (< >).

NOTE

Some commands have optional parameters. Optional parameters are presented on separate lines in the Usage section, presented in the required order with each valid permutation of optional parameters. For example:

```

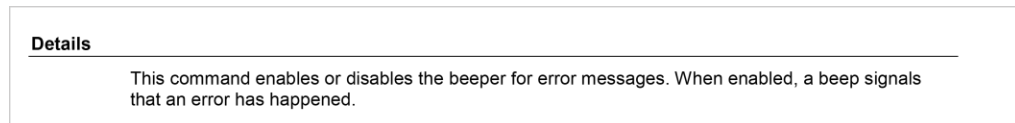
:TRACe:DATA? "READ, SOURce, UNIT"
:TRACe:DATA? "READ"
:TRACe:DATA?
    
```

- 3. Parameter value options:** Descriptions of the options that are available for the parameter.

Command details

This section lists additional information you need to know to successfully use the command.

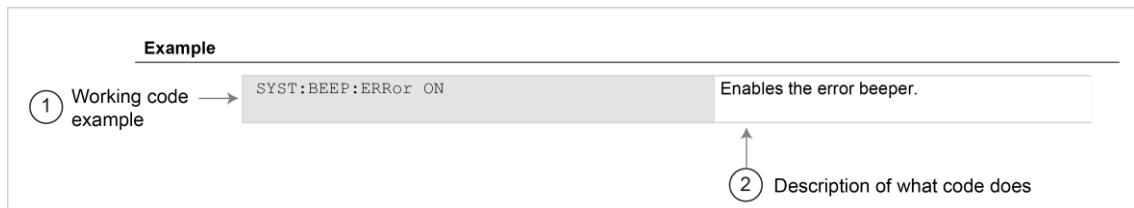
Figure 124: Details section of command listing



Example section

The Example section of the command description shows some simple examples of how the command can be used.

Figure 125: SCPI command description example



1. Example code that you can copy from this table and paste into your own application. Examples are generally shown using the short forms of the commands.
2. Description of the code and what it does. This may also contain the output of the code.

Related commands list

The Also see section of the remote command description lists commands that are related to the command being described.

Figure 126: SCPI command also see description

Also see <hr/> :SYSTem:KCLick (on page 6-99)
--

SCPI command reference

In this section:

Common commands	7-2
:ABORt[n]	7-11
:CONFigure[n]:<function>	7-11
:ENTRy[n]:FUNcTion	7-12
:FETCh[n]?	7-13
:FORMat:ELEMents	7-13
:FORCe:TRIGger	7-15
:MEASure[n]:<function>?	7-16
:READ[n]?	7-17
ARM subsystem	7-17
BATTery subsystem	7-19
CALCulate subsystem	7-67
CALibration subsystem	7-81
Digital subsystem	7-90
DISPlay subsystem	7-92
INITiate subsystem	7-94
MMEMory subsystem	7-96
OUTPut subsystem	7-97
SENSe subsystem	7-101
SOURce subsystem	7-113
STATus subsystem	7-133
SYSTem subsystem	7-147
TRACe subsystem	7-161
TRIGger subsystem	7-174

Common commands

This section describes the general remote interface commands and common commands. Note that although these commands are essentially the same as those defined by the IEEE Std 488.2 standard, the 2281S-20-6 does not strictly conform to that standard.

The general remote interface commands are commands that have the same general meaning, regardless of the instrument you use them with (for example, `DCL` always clears the GPIB interface and returns it to a known state).

The common commands perform operations such as reset, wait-to-continue, and status.

Common commands always begin with an asterisk (`*`) and may include one or more parameters. The command keyword is separated from the first parameter by a blank space.

You can group command messages when you send them to the instrument. Use a semicolon to separate multiple commands, as shown below:

```
*RST; *CLS; *ESE 32; *OPC?
```

Although the commands in this section are shown in uppercase, common commands are not case sensitive (you can use either uppercase or lowercase).

*CLS

This command clears the event registers and error queues.

Type	Affected by	Where saved	Default value
Command only	Not applicable	Not applicable	Not applicable

Usage

*CLS

Details

Use `*CLS` to clear the event registers and queues. It performs the following actions:

- Clear the Standard Event Status Register and Status Byte Register.
- Clear the event register of Questionable Event, Questionable Instrument Event and Questionable Instrument Summary Event.
- Clear the event register of Operation Event, Operation Instrument Event and Operation Instrument Summary Event.
- Clear the event register of Measurement Event, Measurement Instrument Event and Measurement Instrument Summary Event.
- Clear the error queue.

To reset all of the bits of the Standard Event Enable Register, send the command:

```
*ESE 0
```

Also see

[*ESE](#) (on page 7-3)

[STATus subsystem](#) (on page 7-133)

*ESE

This command sets and queries bits in the Standard Event Status Enable Register.

Type	Affected by	Where saved	Default value
Command and query	Power cycle	Not saved	See Details

Usage

*ESE <n>
*ESE?

<n>	The value of the Standard Event Status Enable Register (0 to 255)
-----	---

Details

When a bit in the Standard Event Status Enable Register is set and the corresponding bit in the Standard Event Status Register is set on, the ESB bit of the Status Byte Register is set.

To set a bit, send the constant or the value of the bit as the <n> parameter. When zero (0) is returned, no bits are set. You can also send 0 to clear all bits.

To query the Standard Event Status Enable Register (ESER), send *ESE?. The instrument returns a decimal value that corresponds to the binary-weighted sum of all bits set in the register.

Example

*ESE 145	*ESE 145 sets the Status Enable Standard Event Register to binary 10010001, which enables the PON, EXE, and OPC bits.
----------	---

Also see

[*CLS](#) (on page 7-2)
[Standard Event Register](#) (on page D-8)
[Status model](#) (on page D-1)

*ESR?

This command reads the contents of the Standard Event Status Register (SESR).

Type	Affected by	Where saved	Default value
Query only	Not applicable	Not applicable	Not applicable

Usage

*ESR?

Details

The instrument returns a decimal value that corresponds to the binary-weighted sum of all bits set in the register and clears the Standard Event Status Register.

Example

*ESR?	<p>Query the contents of the Standard Event Status Register (SESR).</p> <p>Example output:</p> <p>145</p> <p>This output indicates that the SESR contains the binary value 10010001.</p>
-------	--

Also see

[*ESE](#) (on page 7-3)
[Status model](#) (on page D-1)

*IDN?

This command retrieves the identification string of the instrument.

Type	Affected by	Where saved	Default value
Query only	None	Not applicable	Not applicable

Usage

*IDN?

Details

The identification string includes the manufacturer, model number, serial number, and firmware revision of the instrument. The string is formatted as follows:

```
KEITHLEY INSTRUMENTS,MODEL nnnn,xxxxxxx,yyyyy
```

Where:

- `nnnn` is the model number
- `xxxxxxx` is the serial number
- `yyyyy` is the firmware revision level

Example

*IDN?	<p>Output:</p> <pre>KEITHLEY INSTRUMENTS INC.,MODEL 2281S-20-6,01234567,01.00</pre>
-------	---

Also see

[System information](#) (on page 2-92)

*OPC

This command sets the operation complete (OPC) bit after all pending commands, including overlapped commands, have been executed.

Type	Affected by	Where saved	Default value
Command and query	Not applicable	Not applicable	Not applicable

Usage

*OPC
*OPC?

Details

When the *OPC command is sent, the OPC bit (bit 0) in the Status Event Status Register is set after all pending command operations have been executed.

When the *OPC? command is sent, an ASCII "1" is placed in the output queue after all pending command operations have been executed.

After all programmed operations are completed, the instrument returns to the idle state, at which time all pending commands (including *OPC and *OPC?) are executed. After the last pending command is executed, an ASCII "1" is placed in the output queue.

Also see

[:INITiate\[n\]:IMMediate](#) (on page 7-95)

*LANG?

This command determines which command set is used by the instrument.

Type	Affected by	Where saved	Default value
Query only	Not applicable	Nonvolatile memory	SCPI

Usage

*LANG?

Details

The only available remote command set is SCPI, which is an instrument-specific language built on the SCPI standard.

Example

*LANG?	Verify the setting by sending the language query. Output: SCPI The SCPI command set is in use.
--------	---

Also see

None

*RCL

This command returns the instrument to the setup that was saved with the *SAV command.

Type	Affected by	Where saved	Default value
Command only	Not applicable	Not applicable	Not applicable

Usage

*RCL <n>

<n>

An integer from 1 to 5 that represents the saved setup

Details

Restores the state of the instrument from a copy of its settings that are stored in the setup memory. The settings are saved using the *SAV command.

Example

```
*RCL 3
```

Restores the settings stored in memory location 3.

Also see

[*SAV](#) (on page 7-7)
[Saving setups](#) (on page 2-88)

*RST

This command resets the instrument settings to their default values.

Type	Affected by	Where saved	Default value
Command only	Not applicable	Not applicable	Not applicable

Usage

*RST

Details

Returns the instrument to default settings, cancels all pending commands, and cancels the response to any previously received *OPC and *OPC? commands.

Also see

[Reset default values](#) (on page 3-60)

*SAV

This command saves the present instrument settings as a user-saved setup.

Type	Affected by	Where saved	Default value
Command only	Not applicable	Nonvolatile memory	Not applicable

Usage

*SAV <n>

<n>	An integer from 1 to 5.
-----	-------------------------

Details

Save the present instrument settings as a user-saved setup. You can restore the settings with the *RCL command.

Any command that is affected by the *RST command can be saved with the *SAV command.

Any settings that were stored previously as <n> are overwritten.

If you view scripts from the front panel of the instrument, these are stored as SETUP<n>.

Example

*SAV 2	Saves the instrument settings in memory location 2.
--------	---

Also see

[*RCL](#) (on page 7-6)

*SRE

This command sets and queries the bits of Status Request Enable Register.

Type	Affected by	Where saved	Default value
Command and query	Power cycle	Not saved	See Details

Usage

*SRE <n>

*SRE?

<n>	Clear the Status Request Enable Register: 0 Set the instrument for an SRQ interrupt: 32
-----	--

Details

To set a bit of Status Request Enable Register, send the constant or the value of the bit as the <n> parameter. You can also send 0 to clear all bits.

To query the Status Request Enable Register, send the *SRE? command. The instrument returns a decimal value that corresponds to the binary-weighted sum of all of the bits set in the register. For details, refer to [Status Byte Register](#) (on page D-6).

Example

<code>*SRE 0</code>	Clear the bits of the Status Request Enable Register.
---------------------	---

Also see

[Status model](#) (on page D-1)

***STB?**

This command reads the contents of Status Byte Register.

Type	Affected by	Where saved	Default value
Query only	Not applicable	Not applicable	Not applicable

Usage

*STB?

Details

This command returns a decimal value that corresponds to the binary-weighted sum of all bits set in the register. Sending this command does not clear the bits in the Status Byte Register.

Example

<code>*STB?</code>	Query the contents of the Status Byte Register. Output: 145 This output indicates that the Status Byte Register contains the binary value 10010001.
--------------------	--

Also see

[Standard Event Register](#) (on page D-8)
[Status model](#) (on page D-1)

*TRG

This command generates a trigger event from a remote command interface.

Type	Affected by	Where saved	Default value
Command only	Not applicable	Not applicable	Not applicable

Usage

*TRG

Details

Use the *TRG command to generate a trigger event. Using *TRG has the same effect as a group execute trigger (GET).

Use the *TRG command as an event to control operation. The instrument reacts to this trigger if BUS is the programmed arm control source. The control source is programmed from ARM and TRIGger subsystems.

Example

*RST	Restore RST defaults.
:ARM:SOUR BUS	Select BUS control source for arm layer.
:ARM:COUN 1	Set arm layer count to 1.
:TRIG:SOUR IMM	Set the source trigger layer to trigger immediately.
:TRIG:COUN 1	Set trigger layer count to 1.
:TRIG:SAMP:COUNT 1	Set measure count to 1.
:OUTP ON	Turn on the output.
:INIT	Take the 2281S-20-6 out of the idle state.
*TRG	Trigger one measurement.

Also see

- [ARM subsystem](#) (on page 7-17)
- [Status model](#) (on page D-1)
- [TRIGger subsystem](#) (on page 7-174)

*TST?

This command performs a complete self-test and returns the results.

Type	Affected by	Where saved	Default value
Query only	Not applicable	Not applicable	0

Usage

*TST?

Details

Sending the command only returns 0 without a self test.

Also see

None

*WAI

This command postpones the execution of subsequent commands until all previous overlapped commands are finished.

Type	Affected by	Where saved	Default value
Command only	Not applicable	Not applicable	Not applicable

Usage

*WAI

Details

There are two types of instrument commands:

- **Overlapped commands:** Commands that allow the execution of subsequent commands while instrument operations of the overlapped command are still in progress.
- **Sequential commands:** Commands whose operations must finish before the next command is executed.

The *WAI command suspends the execution of commands until the instrument operations of all previous overlapped commands are finished. The *WAI command is not needed for sequential commands.

The 2281S-20-6 has the following overlapped commands:

- *TRG
- :INITiate
- :CALibration:PROTection:STEP1:DATA
- :CALibration:PROTection:STEP2:DATA
- :CALibration:PROTection:STEP3:DATA
- :CALibration:PROTection:STEP4:DATA
- :CALibration:PROTection:STEP5:DATA
- :CALibration:PROTection:STEP6:DATA
- :CALibration:PROTection:STEP7:DATA
- :CALibration:PROTection:STEP8:DATA

Also see

[CALibration subsystem](#) (on page 7-81)

[*OPC](#) (on page 7-5)

[*TRG](#) (on page 7-9)

:ABORt[n]

This command stops all trigger model commands on the instrument.

Type	Affected by	Where saved	Default value
Command only	Not applicable	Not applicable	Not applicable

Usage

:ABORt [n]

[n]	Channel number: For single-channel instruments, the value is 1.
-----	---

Details

When this command is received, the instrument stops the trigger model.

With continuous initiation disabled, the trigger model of the specified channel goes into the idle state. With continuous initiation enabled, operation continues at the top of the trigger model. For details, refer to [:INITiate\[n\]:CONTinuous](#) (on page 7-95).

Also see

[Trigger model](#) (on page 3-27)

:CONFigure[n]:<function>

This command configures the instrument to a specific setup for measurements.

Type	Affected by	Where saved	Default value
Command only	Recall settings Instrument reset Power cycle	Save settings	See Details

Usage

```
:CONFigure [n] :<function>
:CONFigure [n] :<function> <range>
:CONFigure [n] :<function> <range>, <resolution>
```

[n]	Channel number: For single-channel instruments, the value is 1.
<function>	The measurement function to which this setting applies: <ul style="list-style-type: none"> Concurrent: CONCurrent[:DC] Current: CURRent[:DC] Voltage: VOLTage[:DC]
<range>	The range value. Current range and concurrent range: <ul style="list-style-type: none"> 10 mA range: 0.01 100 mA range: 0.1 1 A range: 1 10 A range: 10 Voltage range: 20 V
<resolution>	<ul style="list-style-type: none"> 4.5 digit resolution: 4 5.5 digit resolution: 5 6.5 digit resolution: 6

Details

This command specifies which range and resolution are used for the selected measurement function. If you send only the command without any parameters, the present setting values for range and for the selected measurement function are used.

Example

<code>:CONF:CURR 0.01,5</code>	Set the source current to the 10 mA range and the resolution to 5.5 digits.
--------------------------------	---

Also see

[:SENSe\[n\]:<function>:RANGe](#) (on page 7-108)
[:SENSe\[n\]:<function>:RESolution](#) (on page 7-113)

:ENTRy[n]:FUNCTion

This command sets the instrument to work in one of its functions.

Type	Affected by	Where saved	Default value
Command and query	Power cycle	Save settings	ENTRy

Usage

```
:ENTRy[n]:FUNCTion <mode>
:ENTRy[n]:FUNCTion?
```

<n>	Channel number: for single-channel instruments, the value is 1
<mode>	<p>The functions of the instrument are represented as:</p> <ul style="list-style-type: none"> • Power supply : POWer • Battery test : TEST • Battery simulator : SIMulator <p>If you set mode as ENTRy, you will enter the startup screen.</p>

Details

This command sets the instrument to work in one of its functions. If you use this command to query, the instrument will return the current function after the query.

NOTE

Once you switch to another function, the data in the buffer will be cleared. If you send a syntactically correct command but not supported in the corresponding work mode, error 700, "Command not permitted in this work mode" occurs.

Example

<code>:ENTR:FUNC SIM</code>	Set the instrument to work in the battery simulator function.
-----------------------------	---

Also see

None

:FETCh[n]?

This command reads the latest post-processed reading.

Type	Affected by	Where saved	Default value
Query only	Not applicable	Not applicable	Not applicable

Usage

```
:FETCh[n]?
```

[n]

Channel number: For single-channel instruments, the value is 1.

Details

This command requests the latest post-processed reading. This command does not trigger a measurement. It simply requests the last available reading.

If you send this command more than once and there are no new readings, it will return the same value that was returned as the previous query.

The return value format depends on the settings specified by the `:FORMat:ELEMents` command. For details about data flow, refer to [Displayed measurements](#) (on page 4-14).

Example

```
:FORM:ELEM "READ,UNIT"  
:FETCh?
```

Specify the data elements contained in the readings.
Return the latest reading.
Example output:
1.230435E-02A

Also see

[:FORMat:ELEMents](#) (on page 7-13)

:FORMat:ELEMents

This command specifies or queries data elements to be included in the data string.

Type	Affected by	Where saved	Default value
Command and query	Recall settings Instrument reset Power cycle	Save settings	READ, SOUR, UNIT, REL

Usage

```
:FORMat:ELEMents <item list>  
:FORMat:ELEMents?
```

<item list>

See **Details**

Details

When specifying data elements, you can:

- Specify buffer elements in any order.
- Include up to 9 elements in a single list.
- Repeat elements as long as the number of elements in the list is 9 or less.
- Use a comma to delineate multiple elements for a data point.
- Use single or double quotes to enclose all of the elements.

The options for <item list> are described in the following table.

Element	Description	Example output
READing	The measurement reading based on the measurement function	+8.034562E-03
SOURce	The source value	+4.566723E+01
UNIT	The unit of measurement reading, source value, and time stamp	'v', 'A' and 's'
MODE	Output state	CC (constant current), CV (constant voltage), or OFF
DATE	The date for the data point	07/01/2013
TIME	The time for the data point	19:21:36.2553
TSTamp	The timestamp for the data point	07/01/2013 19:21:36.2553
RELative	The relative time when the data point was measured, in seconds	+4.430876E+00s
RSTamp	The relative time when the data point was measured	12:23:32.2345

NOTE

RELative and RSTamp are defined as the time since the first reading was stored in the buffer. These values are reset every 24-hours. DATE, TIME, and TSTamp represent absolute time from the internal real-time clock (RTC).

Example

```
:FORMat:ELEMents "READ,TST"
```

Include reading and timestamp in the reading buffer,
Example output:
+8.034562E-03, 07/01/2013 19:21:36.2553

Also see

[:FETCh\[n\]?](#) (on page 7-13)

[:MEASure\[n\]:<function>?](#) (on page 7-16)

[:READ\[n\]?](#) (on page 7-17)

:FORCe:TRIGger

This command bypasses the control source (Arm layer or Trigger layer) when you do not wish to wait for the programmed event to occur.

Type	Affected by	Where saved	Default value
Command only	Not applicable	Not applicable	Not applicable

Usage

:FORCe:TRIGger [n]

[n]

Channel number: For single-channel instruments, the value is 1.

Details

This command is used to bypass the control source of Arm layer or Trigger layer. For details, refer to [Trigger model](#) (on page 3-27).

Example: Bypass the control source of the arm layer

*RST	Reset the instrument settings to their default values.
:INIT:CONT OFF	Disable the continuous triggering.
:TRACe:CLE	Clear the trace buffer.
:ARM:SOUR MAN	Set Arm layer to manual triggering.
:TRIG:SOUR IMM	Set Trigger layer to external triggering.
:TRIG:SAMP:COUN 1	Set sample count to 1.
:TRIG:COUN 5	Set trigger count to 5.
:ARM:COUN 1	Set Arm count to 1.
:OUTP ON	Turn the output on.
:INIT	Take trigger model out of idle.
:FORCe:TRIGger	Send a trigger to bypass the trigger event detector.
*WAI	Wait until 5 measurements are performed.
:DATA:POINTs:ACTual?	Query how many readings are stored in the trace buffer.

Also see

[:ARM:SEQuence\[n\]:SOURce](#) (on page 7-18)

[:TRIGger\[SEQuence\[n\]:SOURce](#) (on page 7-176)

:MEASure[n]:<function>?

This command makes a measurement and returns the reading.

Type	Affected by	Where saved	Default value
Query only	Not applicable	Not applicable	Not applicable

Usage

```
:MEASure[n]:<function>?
:MEASure[n]:<function>? <range>
:MEASure[n]:<function>? <range>,<resolution>
```

[n]	Channel number: For single-channel instruments, the value is 1.
<function>	The measurement function to which this setting applies: <ul style="list-style-type: none"> Concurrent: CONCurrent[:DC] Current: CURRent[:DC] Voltage: VOLTage[:DC]
<range>	The range value. Current range and concurrent range: <ul style="list-style-type: none"> 10 mA range: 0.01 100 mA range: 0.1 1 A range: 1 10 A range: 10 Voltage range: 20 V
<resolution>	<ul style="list-style-type: none"> 4.5 digit resolution: 4 5.5 digit resolution: 5 6.5 digit resolution: 6

Details

This command makes a measurement using the specified function and stores the reading in a reading buffer.

NOTE

If the buffer is set to `NEVer` mode, this command only makes a measurement and returns the reading without saving in the buffer.

If a different function is selected, sending this command changes the measurement function to the one specified by <function>. This function remains selected after the measurement is complete.

When this command is sent, the following commands execute in the following order:

- :CONFigure[n]:<function>?
- :READ[n]?

When :CONFigure is executed, the MEASure? parameters (<range> and <resolution>) are executed and the instrument goes into the single-measurement mode.

When READ? is executed, the following commands execute in the order below:

- :ABORT
- :INITiate
- :FETCh?

Example

```
:MEAS:CURREN? 10,5
```

Measure current on the 10 A range with 5.5 digit display resolution.

Example output:

```
2.473375E-02A
```

Also see

[:CONFigure\[n\]:<function>](#) (on page 7-11)

[:READ\[n\]?](#) (on page 7-17)

:READ[n]?

This query makes measurements and returns the first reading.

Type	Affected by	Where saved	Default value
Query only	Not applicable	Not applicable	Not applicable

Usage

```
:READ[n]?
```

```
<n>
```

Channel number: For single-channel instruments, the value is 1.

Details

When this command is sent, the following commands execute in the order they are presented:

- :ABORt
- :INITiate
- :FETCh?

When this command is executed, the instrument resets the trigger model. If the instrument is in the idle state, the :INITiate command takes the instrument out of the idle state. The :FETCh? command reads the first post-processed reading.

Also see

[:ABORt\[n\]](#) (on page 7-11)

[:FETCh\[n\]?](#) (on page 7-13)

[:INITiate\[n\]:IMMediate](#) (on page 7-95)

ARM subsystem

The commands in this subsystem configure and control the trigger model for the arm layer.

:ARM[:SEQuence[n]]:COUNT

This command sets the number of times to repeat the Arm event.

Type	Affected by	Where saved	Default value
Command and query	Recall settings Instrument reset Power cycle	Save settings	1

Usage

```
:ARM[:SEQuence[n]]:COUNT <count>
:ARM[:SEQuence[n]]:COUNT?
:ARM[:SEQuence[n]]:COUNT? DEFault
:ARM[:SEQuence[n]]:COUNT? MINimum
:ARM[:SEQuence[n]]:COUNT? MAXimum
```

[n]	Channel number: For single-channel instruments, the value is 1.
<count>	The number of times to repeat the arm event: 1 to 2500.

Example

ARM:COUNT 4	Set the arm count to four.
-------------	----------------------------

Also see

[:TRIGger\[:SEQuence\[n\]\]:COUNT](#) (on page 7-174)
[Trigger model](#) (on page 3-27)

:ARM[:SEQuence[n]]:SOURce

This command selects the control source for the arm layer.

Type	Affected by	Where saved	Default value
Command and query	Recall settings Instrument reset Power cycle	Save settings	IMM

Usage

```
:ARM[:SEQuence[n]]:SOURce <source>
:ARM[:SEQuence[n]]:SOURce?
```

[n]	Channel number: For single-channel instruments, the value is 1.
<source>	The trigger source for the arm layer: <ul style="list-style-type: none"> Immediate triggering; no delay or gating in arm detection layer: IMMEDIATE. External triggering: EXTERNAL. Manual triggering; the trigger signal is generated by pressing the TRIGGER key: MANUAL. Bus triggering by the command *TRG: BUS.

Example

```
ARM:SOUR BUS
```

Select bus triggering as the trigger source for the arm layer.

Also see

[:TRIGger\[SEquence\[n\]\]:SOURce](#) (on page 7-176)
[Trigger model](#) (on page 3-27)

BATTery subsystem

The commands in this subsystem configure and control the operations related to the functions of battery test and battery simulator.

:BATTery[n]:SIMulator:SOC

This command sets the SOC value in percentage for the battery simulator function.

Type	Affected by	Where saved	Default value
Command and query	Recall settings Instrument reset Power cycle	Not saved	100

Usage

```
:BATTery[n]:SIMulator:SOC <value>
:BATTery[n]:SIMulator:SOC?
:BATTery[n]:SIMulator:SOC? DEFault
:BATTery[n]:SIMulator:SOC? MINimum
:BATTery[n]:SIMulator:SOC? MAXimum
```

<n>	Channel number: for single-channel instruments, the value is 1
<value>	0 ~ 100

Details

This command sets the SOC value in percentage for the battery simulator function.

It allows the user to adjust the SOC value at any time even though the simulation is in progress.

NOTE

After adjusting the SOC value, the Voc value will automatically update to the associated value specified in the battery model.

Example

```
:BATT:SIM:SOC 50
:BATT:SIM:SOC?
```

Set the SOC value to 50 and query the value.
Return: 50

Also see

[BATTery\[n\]:SIMulator:VOC](#) (on page 7-20)

:BATTery[n]:SIMulator:VOC

This command sets the Voc value for the battery simulator function.

Type	Affected by	Where saved	Default value
Command and query	Recall settings Instrument reset Power cycle	Not saved	The maximum value in the battery model

Usage

```
:BATTery[n]:SIMulator:VOC <value>
:BATTery[n]:SIMulator:VOC?
:BATTery[n]:SIMulator:VOC? DEFault
:BATTery[n]:SIMulator:VOC? MINimum
:BATTery[n]:SIMulator:VOC? MAXimum
```

<n>	Channel number: For single-channel instruments, the value is 1
<value>	The value range of the Voc: Minimum ~ Maximum

Details

This command sets the Voc value for the battery simulator function.

It allows the user to adjust the Voc value at any time even though the simulation is in progress.

NOTE

After adjusting the Voc value, the SOC value will automatically update to the associated value specified in the battery model.

Example

```
:BATT:SIM:VOC 4.5
```

Set the Voc value to 4.5 V.

Also see

[BATTery\[n\]:SIMulator:SOC](#) (on page 7-19)

:BATTery[n]:SIMulator:VOC:FULL

This command sets the threshold VOC value for the charging to stop in the battery simulator function.

Type	Affected by	Where saved	Default value
Command and query	Recall settings Instrument reset Power cycle	Save settings	Maximum

Usage

```
:BATTery[n]:SIMulator:VOC:FULL <value>
:BATTery[n]:SIMulator:VOC:FULL?
:BATTery[n]:SIMulator:VOC:FULL? DEFault
:BATTery[n]:SIMulator:VOC:FULL? MINimum
:BATTery[n]:SIMulator:VOC:FULL? MAXimum
```

<n>	Channel number: For single-channel instruments, the value is 1
<value>	The value range of the VOC: Minimum ~ Maximum

Details

This command sets the threshold VOC value for the charging to stop in the battery simulator function.

NOTE

If the full Voc is smaller than the empty Voc, the battery model cannot be accessed and you will see error 703, "Full Voc can't be less than empty Voc".

This value cannot be changed when the simulation is in progress. If you modify this value without pausing the simulation, error 704, "Not permitted while battery model is running" occurs.

Example

```
:BATT:SIM:VOC:FULL 5 Set the full Voc value to 5 V.
```

Also see

[:BATTery\[n\]:SIMulator:VOC:EMPTY](#) (on page 7-22)

:BATTery[n]:SIMulator:VOC:EMPTY

This command sets the threshold Voc value for the discharging to stop in the battery simulator function.

Type	Affected by	Where saved	Default value
Command and query	Recall settings Instrument reset Power cycle	Save settings	Minimum

Usage

```
:BATTery[n]:SIMulator:VOC:EMPTY <value>
:BATTery[n]:SIMulator:VOC:EMPTY?
:BATTery[n]:SIMulator:VOC:EMPTY? DEFault
:BATTery[n]:SIMulator:VOC:EMPTY? MINimum
:BATTery[n]:SIMulator:VOC:EMPTY? MAXimum
```

<n>	Channel number: For single-channel instruments, the value is 1
<value>	The value range of the Voc: Minimum ~ Maximum

Details

This command sets the threshold Voc value for the discharging to stop in the battery simulator function.

NOTE

If the empty Voc is greater than the full Voc, the battery model cannot be accessed and you will see error 703, "Full Voc can't be less than empty Voc".

This value cannot be changed when the simulation is in progress. If you modify this value without pausing the simulation, error 704, "Not permitted while battery model is running" occurs.

Example

```
:BATT:SIM:VOC:EMPT 0.5
```

Set the empty Voc value to 0.5 V.

Also see

[BATTery\[n\]:SIMulator:VOC:FULL](#) (on page 7-21)

:BATTery[n]:SIMulator:VOC:PROTection[:LEVel]

This command sets the Voc protection value in the battery simulator function.

Type	Affected by	Where saved	Default value
Command and query	Recall settings Instrument reset Power cycle	Save settings	21 V

Usage

```
:BATTery[n]:SIMulator:VOC:PROTection[:LEVel] <value>
:BATTery[n]:SIMulator:VOC:PROTection[:LEVel]?
:BATTery[n]:SIMulator:VOC:PROTection[:LEVel]? DEFault
:BATTery[n]:SIMulator:VOC:PROTection[:LEVel]? MINimum
:BATTery[n]:SIMulator:VOC:PROTection[:LEVel]? MAXimum
```

<n>	Channel number: For single-channel instruments, the value is 1.
<value>	0.5 ~ 21 V

Details

This command sets the Voc protection value in the battery simulator function.

NOTE

This value cannot be changed when the simulation is in progress. If you modify this value without pausing the simulation, error 704, “Not permitted while battery model is running” occurs.

Example

<pre>:BATT:SIM:VOC:PROT 12 :BATT:SIM:VOC:PROT?</pre>	Set the Voc protection value to 12 V and query the value. Return: 12
--	---

Also see

None

BATTery[n]:SIMulator:RESistance?

This command queries the real-time internal resistance of the battery simulator.

Type	Affected by	Where saved	Default value
Query only	Not applicable	Not applicable	Not applicable

Usage

```
:BATTery[n]:SIMulator:RESistance?
```

<n>	Channel number: For single-channel instruments, the value is 1.
-----	---

Example

```
:BATT:SIM:RES?
```

The real-time internal resistance is displayed.

Also see

None

:BATTery[n]:SIMulator:RESistance:OFFSet

This command sets and queries the resistance offset value in the battery simulation function.

Type	Affected by	Where saved	Default value
Command and query	Recall settings Instrument reset Power cycle	Save settings	0

Usage

```
:BATTery[n]:SIMulator:RESistance:OFFSet <value>
:BATTery[n]:SIMulator:RESistance:OFFSet
:BATTery[n]:SIMulator:RESistance:OFFSet? DEFault
:BATTery[n]:SIMulator:RESistance:OFFSet? MINimum
:BATTery[n]:SIMulator:RESistance:OFFSet? MAXimum
```

<n>	Channel number: For single-channel instruments, the value is 1
<value>	-100 ~ 100 ohm

Details

This command sets the resistance offset value in the battery simulation function to cancel out the resistance deviation caused by the wire connecting the battery and the device under test.

NOTE

This value cannot be changed when the simulation is in progress. If you modify this value without pausing the simulation, error 704, "Not permitted while battery model is running" occurs.

Example

```
:BATT:SIM:RES:OFFS 1
:BATT:SIM:RES:OFFS?
```

Set the offset value to 1 ohm and query the value.
Return: 1

Also see

None

:BATTery[n]:SIMulator:CAPacity?

This command queries the real-time battery capacity of the battery simulator.

Type	Affected by	Where saved	Default value
Query only	Not applicable	Not applicable	Not applicable

Usage

```
:BATTery[n]:SIMulator:CAPacity?
```

<n>

Channel number: For single-channel instruments, the value is 1.

Example

```
:BATT:SIM:CAP?
```

The real-time battery capacity is displayed.

Also see

None

:BATTery[n]:SIMulator:CAPacity:LIMit

This command sets the maximum capacity value of the battery in the battery simulation function.

Type	Affected by	Where saved	Default value
Command and query	Recall settings Instrument reset Power cycle	Save settings	0.01 Ah

Usage

```
:BATTery[n]:SIMulator:CAPacity:LIMit <value>
:BATTery[n]:SIMulator:CAPacity:LIMit?
:BATTery[n]:SIMulator:CAPacity:LIMit? DEFault
:BATTery[n]:SIMulator:CAPacity:LIMit? MINimum
:BATTery[n]:SIMulator:CAPacity:LIMit? MAXimum
```

<n>

Channel number: For single-channel instruments, the value is 1

<value>

0.001 ~ 99 Ah

Details

This command sets the maximum capacity value of the battery in the battery simulation function. The maximum capacity value serves two purposes:

- The battery simulator starts discharging from the maximum capacity
- The battery simulator ends charging when the battery capacity reaches this value.

NOTE

This value cannot be changed when the simulation is in progress. If you modify this value without pausing the simulation, error 704, "Not permitted while battery model is running" occurs.

Example

`:BATT:SIM:CAP:LIM 5` Set the maximum capacity to 5 Ah.

Also see

None

:BATTery[n]:SIMulator:CURRent?

This command queries the real-time battery current of the battery simulator.

Type	Affected by	Where saved	Default value
Query only	Not applicable	Not applicable	Not applicable

Usage

`:BATTery[n]:SIMulator:CURRent?`

`<n>` Channel number: For single-channel instruments, the value is 1.

Example

`:BATT:SIM:CURR?` The real-time battery current is displayed.

Also see

None

:BATTery[n]:SIMulator:CURRent:LIMit

This command sets the value of the current limit for stopping the discharging in the battery simulation function.

Type	Affected by	Where saved	Default value
Command and query	Recall settings Instrument reset Power cycle	Save settings	0.1 A

Usage

```
:BATTery[n]:SIMulator:CURRent:LIMit <value>
:BATTery[n]:SIMulator:CURRent:LIMit?
:BATTery[n]:SIMulator:CURRent:LIMit? DEFault
:BATTery[n]:SIMulator:CURRent:LIMit? MINimum
:BATTery[n]:SIMulator:CURRent:LIMit? MAXimum
```

<n>	Channel number: For single-channel instruments, the value is 1
<value>	0 ~ 6.1 A

Details

This command sets the value of the current limit for stopping the discharging in the battery simulation function.

NOTE

This value cannot be changed when the simulation is in progress. If you modify this value without pausing the simulation, error 704, "Not permitted while battery model is running" occurs.

Example

```
:BATT:SIM:CURR:LIM 1
```

Set the current limit to 1 A.

Also see

None

:BATTery[n]:SIMulator:CURRent:PROTection[:LEVel]

This command sets the current protection value in the battery simulator function.

Type	Affected by	Where saved	Default value
Command and query	Recall settings Instrument reset Power cycle	Save settings	6.1 A

Usage

```
:BATTery[n]:SIMulator:CURRent:PROTection[:LEVel] <value>
:BATTery[n]:SIMulator:CURRent:PROTection[:LEVel]?
:BATTery[n]:SIMulator:CURRent:PROTection[:LEVel]? DEFault
:BATTery[n]:SIMulator:CURRent:PROTection[:LEVel]? MINimum
:BATTery[n]:SIMulator:CURRent:PROTection[:LEVel]? MAXimum
```

<n>	Channel number: For single-channel instruments, the value is 1
<value>	0.1 ~ 6.1 A

Details

This command sets the current protection value in the battery simulator function.

NOTE

This value cannot be changed when the simulation is in progress. If you modify this value without pausing the simulation, error 704, “Not permitted while battery model is running” occurs.

Example

```
:BATT:SIM:CURR:PROT 2 Set the current protection to 2 A.
```

Also see

None

:BATTery[n]:SIMulator:TVOLtage?

This command queries the real-time terminal voltage.

Type	Affected by	Where saved	Default value
Query only	Not applicable	Not applicable	Not applicable

Usage

```
:BATTery[n]:SIMulator:TVOLtage?
```

<n>	Channel number: For single-channel instruments, the value is 1.
-----	---

Example

```
:BATT:SIM:TVOL?
```

The real-time terminal voltage is displayed.

Also see

None

:BATTery[n]:SIMulator:HV

This command sets the high voltage (HV) in the battery simulator function.

Type	Affected by	Where saved	Default value
Command and query	Recall settings Instrument reset Power cycle	Save settings	21 V

Usage

```
:BATTery[n]:SIMulator:HV <value>
:BATTery[n]:SIMulator:HV?
:BATTery[n]:SIMulator:HV? DEFault
:BATTery[n]:SIMulator:HV? MINimum
:BATTery[n]:SIMulator:HV? MAXimum
```

<n>	Channel number: For single-channel instruments, the value is 1
<Value>	0 ~ 21 V

Details

When the output voltage reaches this value, the digital I/O pin, which is set as Digital Out and HV action, outputs a level signal.

Example

```
:BATT:SIM:HV 5
```

Set the high voltage as 5 V

Also see

[:BATTery:DIGital:LINE<line index>:CONFigure](#) (on page 7-54)

[:BATTery:DIGital:LINE<n>:EDGE](#) (on page 7-55)

:BATTery[n]:SIMulator:LV

This command sets the low voltage (LV) in the battery simulator function.

Type	Affected by	Where saved	Default value
Command and query	Recall settings Instrument reset Power cycle	Save settings	0

Usage

```
:BATTery[n]:SIMulator:LV <value>
:BATTery[n]:SIMulator:LV?
:BATTery[n]:SIMulator:LV? DEFault
:BATTery[n]:SIMulator:LV? MINimum
:BATTery[n]:SIMulator:LV? MAXimum
```

<n>	Channel number: For single-channel instruments, the value is 1
<Value>	0 ~ 21 V

Details

When the output voltage reaches this value, the digital I/O pin, which is set as Digital Out and LV action, outputs a level signal.

Example

```
:BATT:SIM:LV 0.1 Set the low voltage as 0.1 V
```

Also see

[:BATTery:DIGital:LINE<line index>:CONFigure](#) (on page 7-54)
[:BATTery:DIGital:LINE<n>:EDGE](#) (on page 7-55)

:BATTery[n]:SIMulator:SAMPle:INTerval

This command sets and queries the sample interval in the battery simulation function.

Type	Affected by	Where saved	Default value
Command and query	Recall settings Instrument reset Power cycle	Save settings	0.04s for 50 Hz 3.33333e-2s for 60 Hz

Usage

```
:BATTery[n]:SIMulator:SAMPle:INTerval <value>
:BATTery[n]:SIMulator:SAMPle:INTerval?
:BATTery[n]:SIMulator:SAMPle:INTerval? DEFault
:BATTery[n]:SIMulator:SAMPle:INTerval? MINimum
:BATTery[n]:SIMulator:SAMPle:INTerval? MAXimum
```

<n>	Channel number: For single-channel instruments, the value is 1
<value>	8e-5 ~ 0.48s for 50 Hz 6.66667e-5 ~ 0.5s for 60 Hz

Details

The sample interval is based on the power line cycles.

The shorter sample interval with the faster reading rate would increase reading noise and decrease the number of usable digits, while the longer sample interval with the lower reading rate would provide lower reading noise and more readable digits.

NOTE
This value cannot be changed when the simulation is in progress. If you modify this value without pausing the simulation, error 704, "Not permitted while battery model is running" occurs.

Example

<code>:BATT:SIM:SAMP:INT 0.01</code>	Set the sample interval to 0.01 s.
--------------------------------------	------------------------------------

Also see

None

:BATTery[n]:SIMulator:METHod

This command sets the simulation mode in the battery simulation function.

Type	Affected by	Where saved	Default value
Command and query	Recall settings Instrument reset Power cycle	Save settings	DYNamic

Usage

```
:BATTery[n]:SIMulator:METHod <mode>
:BATTery[n]:SIMulator:METHod?
```

<n>	Channel number: For single-channel instruments, the value is 1
<mode>	DYNamic: Output depends on the running of the battery model STATic: Constant output

Details

This command sets the battery simulation mode.

If you choose Dynamic, the Voc and SOC of the simulated battery change based on the charging and discharging, like a real battery.

If you choose Static, the Voc and SOC of the simulated battery stays the same.

Example

<code>:BATT:SIM:METH STAT</code>	Set the simulation mode to static mode.
----------------------------------	---

Also see

None

:BATTery[n]:TEST:MEASure:EVOC?

This command queries the values of ESR and Voc.

Type	Affected by	Where saved	Default value
Query only	Not applicable	Not applicable	Not applicable

Usage

```
:BATTery[n]:SIMulator:MEASure:EVOC?
```

<n>	Channel number: For single-channel instruments, the value is 1.
-----	---

Details

When this command is executed, the instrument starts a new measurement and returns the values of ESR and Voc. Output is off after the measurement.

Example

:BATT:TEST:MEAS:EVOC?	The values of ESR and Voc are returned.
-----------------------	---

Also see

[:BATTery\[n\]:TEST:SENSe:ESR:DELAy](#) (on page 7-40)

:BATTery[n]:TEST[:SOURce]:VOLTage[:LEVel]

This command sets the V-set value for charging and discharging in the battery test function.

Type	Affected by	Where saved	Default value
Command and query	Recall settings Instrument reset Power cycle	Save settings	0

Usage

```
:BATTery[n]:TEST:[SOURce]:VOLTage[:LEVel] <value>
:BATTery[n]:TEST:[SOURce]:VOLTage[:LEVel]?
:BATTery[n]:TEST:[SOURce]:VOLTage[:LEVel]? DEFault
:BATTery[n]:TEST:[SOURce]:VOLTage[:LEVel]? MINimum
:BATTery[n]:TEST:[SOURce]:VOLTage[:LEVel]? MAXimum
```

<n>	Channel number: For single-channel instruments, the value is 1
<value>	0 ~ 20 V

Details

This command specifies the V-set value, which determines whether the current direction is source or sink. The current direction is switched automatically based on the terminal voltage of the battery under test.

If the V-set value is greater than the terminal voltage of the battery under test, the instrument will start to charge the battery.

If the V-set value is lower than the terminal voltage of the battery under test, the instrument will start to discharge the battery.

Example

```
:BATT:TEST:VOLT 5
```

Set the V-set value to 5 V.

Also see

None

:BATTery[n]:TEST[:SOURce]:VOLTage:LIMit

This command sets the maximum output voltage in the battery test function.

Type	Affected by	Where saved	Default value
Command and query	Recall settings Instrument reset Power cycle	Save settings	20 V

Usage

```
:BATTery[n]:TEST:[SOURce]:VOLTage:LIMit <value>
:BATTery[n]:TEST:[SOURce]:VOLTage:LIMit?
:BATTery[n]:TEST:[SOURce]:VOLTage:LIMit? DEFault
:BATTery[n]:TEST:[SOURce]:VOLTage:LIMit? MINimum
:BATTery[n]:TEST:[SOURce]:VOLTage:LIMit? MAXimum
```

<n>	Channel number: For single-channel instruments, the value is 1
<value>	0 ~ 20 V

Details

This command sets the maximum output voltage in the battery test function.

NOTE

When this value is set lower than the V-set, the V-set changes to the same value.

Example

```
:BATT:TEST:VOLT:LIM 5
```

Set the limit voltage value to 5 V.

Also see

None

:BATTery[n]:TEST[:SOURce]:VOLTage:PROTection[:LEVel]

This command sets and queries the protection threshold value of the open-circuit voltage in the battery test function.

Type	Affected by	Where saved	Default value
Command and query	Recall settings Instrument reset Power cycle	Save settings	21 V

Usage

```

:BATTeRy[n]:TEST:[SOURce]:VOLTage:PROTection[:LEVel] <value>
:BATTeRy[n]:TEST:[SOURce]:VOLTage:PROTection[:LEVel]?
:BATTeRy[n]:TEST:[SOURce]:VOLTage:PROTection[:LEVel]? DEFault
:BATTeRy[n]:TEST:[SOURce]:VOLTage:PROTection[:LEVel]? MINimum
:BATTeRy[n]:TEST:[SOURce]:VOLTage:PROTection[:LEVel]? MAXimum
    
```

<n>	Channel number: For single-channel instruments, the value is 1
<value>	0.5 ~ 21 V

Details

This command specifies the protection threshold value of the open-circuit voltage to be sourced to the battery under test.

Example

:BATT:TEST:VOLT:PROT 5	Set the protection threshold value to 5 V.
------------------------	--

Also see

None

:BATTery[n]:TEST[:SOURce]:HV

This command sets the high voltage (HV) in the battery test function.

Type	Affected by	Where saved	Default value
Command and query	Recall settings Instrument reset Power cycle	Save settings	21 V

Usage

```
:BATTery[n]:TEST:[SOURce]:HV <value>
:BATTery[n]:TEST:[SOURce]:HV?
:BATTery[n]:TEST:[SOURce]:HV? DEFault
:BATTery[n]:TEST:[SOURce]:HV? MINimum
:BATTery[n]:TEST:[SOURce]:HV? MAXimum
```

<n>	Channel number: For single-channel instruments, the value is 1
<Value>	0 ~ 21 V

Details

When the output voltage reaches this value, the digital I/O pin, which is set as Digital Out and HV action, outputs a level signal.

Example

```
:BATT:TEST:HV 5
```

Set the high voltage as 5 V

Also see

[:BATTery:DIgital:LINE<line index>:CONFigure](#) (on page 7-54)
[:BATTery:DIgital:LINE<n>:EDGe](#) (on page 7-55)

:BATTery[n]:TEST[:SOURce]:LV

This command sets the low voltage (LV) value in the battery test function.

Type	Affected by	Where saved	Default value
Command and query	Recall settings Instrument reset Power cycle	Save settings	0

Usage

```
:BATTery[n]:TEST:[SOURce]:LV <value>
:BATTery[n]:TEST:[SOURce]:LV?
:BATTery[n]:TEST:[SOURce]:LV? DEFault
:BATTery[n]:TEST:[SOURce]:LV? MINimum
:BATTery[n]:TEST:[SOURce]:LV? MAXimum
```

<n>	Channel number: For single-channel instruments, the value is 1
<Value>	0 ~ 21 V

Details

When the output voltage reaches this value, the digital I/O pin, which is set as Digital Out and LV action, outputs a level signal.

Example

```
:BATT:TEST:LV 0.1 Set the low voltage as 0.1 V
```

Also see

[:BATTery:DIGital:LINE<line index>:CONFigure](#) (on page 7-54)
[:BATTery:DIGital:LINE<n>:EDGE](#) (on page 7-55)

:BATTery[n]:TEST[:SOURce]:CURRent:LIMit:SOURce

This command sets the maximum source current in the battery test function.

Type	Affected by	Where saved	Default value
Command and query	Recall settings Instrument reset Power cycle	Save settings	6.1 A

Usage

```
:BATTery[n]:TEST:[SOURce]:CURRent:LIMit:SOURce <value>
:BATTery[n]:TEST:[SOURce]:CURRent:LIMit:SOURce?
:BATTery[n]:TEST:[SOURce]:CURRent:LIMit:SOURce? DEFault
:BATTery[n]:TEST:[SOURce]:CURRent:LIMit:SOURce? MINimum
:BATTery[n]:TEST:[SOURce]:CURRent:LIMit:SOURce? MAXimum
```

<n>	Channel number: For single-channel instruments, the value is 1
<value>	0 ~ 6.1 A

Details

This command sets the maximum output current in the battery test function.

NOTE
When the output current is larger than this value, the output current will be changed to this value automatically and the charging will switch from CV mode to CC mode.

Example

<code>:BATT:TEST:CURR:LIM:SOUR 2</code>	Set the limit current value to 2 A.
---	-------------------------------------

Also see

None

:BATTery[n]:TEST[:SOURce]:CURRent:LIMit:SINK

This command sets the discharging current limit in the battery test function.

Type	Affected by	Where saved	Default value
Command and query	Recall settings Instrument reset Power cycle	Save settings	- 0.1 A

Usage

```

:BATTEry[n]:TEST:[SOURce]:CURRent:LIMit:SINK <value>
:BATTEry[n]:TEST:[SOURce]:CURRent:LIMit:SINK?
:BATTEry[n]:TEST:[SOURce]:CURRent:LIMit:SINK? DEFault
:BATTEry[n]:TEST:[SOURce]:CURRent:LIMit:SINK? MINimum
:BATTEry[n]:TEST:[SOURce]:CURRent:LIMit:SINK? MAXimum
    
```

<n>	Channel number: For single-channel instruments, the value is 1
<value>	-1.25 ~ -0.1 A

Details

When the discharging current exceeds this value, the discharging stops. "-" symbol indicates that the direction of the current is from the battery to the instrument during discharging.

Example

<code>:BATT:TEST:CURR:LIM:SINK -0.2</code>	Set the the discharging current limit to -0.2 A.
--	--

Also see

None

:BATTery[n]:TEST[:SOURce]:CURRent:END

This command sets the end current for stopping the charging and discharging in the battery test function.

Type	Affected by	Where saved	Default value
Command and query	Recall settings Instrument reset Power cycle	Save settings	0.001 A

Usage

```
:BATTery[n]:TEST:[SOURce]:CURRent:END <value>
:BATTery[n]:TEST:[SOURce]:CURRent:END?
:BATTery[n]:TEST:[SOURce]:CURRent:END? DEFaultcharging
:BATTery[n]:TEST:[SOURce]:CURRent:END? MINimum
:BATTery[n]:TEST:[SOURce]:CURRent:END? MAXimum
```

<n>	Channel number: For single-channel instruments, the value is 1
<value>	0 ~ 0.1 A

Details

This command sets the end current for stopping the charging and discharging in the battery test function.

If the current exceeds the end current during charging or discharging, the charging or discharging is stopped.

Example

```
:BATT:TEST:CURR:END 0.02
```

Set the end current value to 20 mA.

Also see

None

:BATTery[n]:TEST[:SOURce]:CURRent:PROTection[:LEVel]

This command sets and queries the protection threshold value of the output current in the battery test function.

Type	Affected by	Where saved	Default value
Command and query	Recall settings Instrument reset Power cycle	Save settings	6.1 A

Usage

```
:BATTery[n]:TEST:[SOURce]:CURRent:PROTection[:LEVel] <value>
:BATTery[n]:TEST:[SOURce]:CURRent:PROTection[:LEVel]?
:BATTery[n]:TEST:[SOURce]:CURRent:PROTection[:LEVel]? DEFault
:BATTery[n]:TEST:[SOURce]:CURRent:PROTection[:LEVel]? MINimum
:BATTery[n]:TEST:[SOURce]:CURRent:PROTection[:LEVel]? MAXimum
```

<n>	Channel number: For single-channel instruments, the value is 1
<value>	0.1 ~ 6.1 A

Details

This command specifies the protection threshold value of the current to be sourced to the battery under test.

Example

```
:BATT:TEST:CURR:PROT 2
```

Set the protection threshold value to 2 A.

Also see

None

:BATTery[n]:TEST:SENSe:SAMPle:INTerval

This command sets and queries the sample interval in the battery test function.

Type	Affected by	Where saved	Default value
Command and query	Recall settings Instrument reset Power cycle	Save settings	0.04s for 50 Hz 3.33333e-2s for 60 Hz

Usage

```
:BATTery[n]:TEST:SENSe:SAMPle:INTerval <value>
:BATTery[n]:TEST:SENSe:SAMPle:INTerval?
:BATTery[n]:TEST:SENSe:SAMPle:INTerval? DEFault
:BATTery[n]:TEST:SENSe:SAMPle:INTerval? MINimum
:BATTery[n]:TEST:SENSe:SAMPle:INTerval? MAXimum
```

<n>	Channel number: For single-channel instruments, the value is 1
<value>	8e-5 ~ 0.48s for 50 Hz 6.66667e-5 ~ 0.5s for 60 Hz

Details

The sample interval is based on the power line cycles.

The shorter sample interval with the faster reading rate would increase reading noise and decrease the number of usable digits, while the longer sample interval with the lower reading rate would provide lower reading noise and more readable digits.

Example

```
:BATT:TEST:SENS:SAMP:INT 0.1
```

Set the sample interval to 0.1 s.

Also see

None

:BATTery[n]:TEST:SENSe:ESR:DELAy

This command sets and queries the ESR delay in the battery test function.

Type	Affected by	Where saved	Default value
Command and query	Recall settings Instrument reset Power cycle	Save settings	0.1 s

Usage

```
:BATTery[n]:TEST:SENSe:ESR:DELAy <value>
:BATTery[n]:TEST:SENSe:ESR:DELAy?
:BATTery[n]:TEST:SENSe:ESR:DELAy? DEFault
:BATTery[n]:TEST:SENSe:ESR:DELAy? MINimum
:BATTery[n]:TEST:SENSe:ESR:DELAy? MAXimum
```

<n>	Channel number: For single-channel instruments, the value is 1
<value>	0 ~ 0.1 s

Example

```
:BATT:TEST:SENS:ESR:DEL 0.05 Set the ESR delay to 0.05 s.
```

Also see

[:BATTery\[n\]:TEST:MEASure:EVOC?](#) (on page 7-32)

:BATTery[n]:TEST:SENSe:AH[:LEVel]?

This command queries the real-time value of the battery capacity during A-H measurement.

Type	Affected by	Where saved	Default value
Query only	Not applicable	Not applicable	Not applicable

Usage

```
:BATTery[n]:TEST:SENSe:AH[:LEVel]?
```

<n>	Channel number: For single-channel instruments, the value is 1.
-----	---

Example

```
:BATT:TEST:SENS:AH? The value of the battery capacity is returned.
```

Also see

None

:BATTery[n]:TEST:SENSe:AH:ESRInterval

This command sets and queries the ESR sample interval during A-H measurement in the battery test function.

Type	Affected by	Where saved	Default value
Command and query	Recall settings Instrument reset Power cycle	Save settings	S10

Usage

```
:BATTery[n]:TEST:SENSe:AH:ESRInterval <interval>
:BATTery[n]:TEST:SENSe:AH:ESRInterval?
```

<n>	Channel number: For single-channel instruments, the value is 1
<interval>	S10 = 10 seconds S30 = 30 seconds S60 = 60 seconds S120 = 120 seconds M10 = 10 minutes

Example

```
:BATT:TEST:SENS:AH:ESRI S60
:BATT:TEST:SENS:AH:ESRI?
```

Set the ESR sample interval to 60 s and query the value.
Return: 60

Also see

None

:BATTery[n]:TEST:SENSe:AH:VFUL1

This command sets and queries the full voltage during A-H measurement in the battery test function.

Type	Affected by	Where saved	Default value
Command and query	Recall settings Instrument reset Power cycle	Save settings	0

Usage

```
:BATTery[n]:TEST:SENSe:AH:VFUL1 <value>
:BATTery[n]:TEST:SENSe:AH:VFUL1?
:BATTery[n]:TEST:SENSe:AH:VFUL1? DEFault
:BATTery[n]:TEST:SENSe:AH:VFUL1? MINimum
:BATTery[n]:TEST:SENSe:AH:VFUL1? MAXimum
```

<n>	Channel number: For single-channel instruments, the value is 1
<value>	0 ~ 20 V

Details

This command specifies the end voltage for charging. The voltage of the battery is equal or less than this value.

Example

```
:BATT:TEST:SENS:AH:VFUL 2 Set the full voltage value to 2 V.
```

Also see

None

:BATTery[n]:TEST:SENSe:AH:ILIMit

This command sets and queries the maximum charging current during A-H measurement in the battery test function.

Type	Affected by	Where saved	Default value
Command and query	Recall settings Instrument reset Power cycle	Save settings	0.1 A

Usage

```
:BATTery[n]:TEST:SENSe:AH:ILIMit <value>
:BATTery[n]:TEST:SENSe:AH:ILIMit?
:BATTery[n]:TEST:SENSe:AH:ILIMit? DEFault
:BATTery[n]:TEST:SENSe:AH:ILIMit? MINimum
:BATTery[n]:TEST:SENSe:AH:ILIMit? MAXimum
```

<code><n></code>	Channel number: For single-channel instruments, the value is 1
<code><value></code>	0 ~ 6.1 A

Example

```
:BATT:TEST:SENS:AH:ILIM 2 Set the limit current value to 2 A.
```

Also see

None

:BATTery[n]:TEST:SENSe:AH:GMODe1:RANGe

This command sets and queries the range of the open-circuit voltage for generating a battery model during A-H measurement in the battery test function.

Type	Affected by	Where saved	Default value
Command and query	Recall settings Instrument reset Power cycle	Save settings	Not applicable

Usage

```
:BATTery[n]:TEST:SENSe:AH:GMODe1:RANGe <low>,<high>
:BATTery[n]:TEST:SENSe:AH:GMODe1:RANGe?
```

<n>	Channel number: For single-channel instruments, the value is 1
<value>	Within the range of the actual measured maximum and minimum Voc value

Details

This command specifies the range of open-circuit voltage for generating the battery model.

NOTE

For generating a battery model, you need to specify the minimum Voc <low> and the maximum Voc <high>.

if the <low> is greater than <high>, error 708, "Illegal model range setting" occurs.

If the range is not specified, the battery model will use the actual measured minimum and maximum Voc.

Example

:BATT:TEST:SENS:AH:GMOD:RANG 2, 5	Set the Voc range as 2 to 5 V and query the range. Return: 2, 5
:BATT:TEST:SENS:AH:GMOD:RANG?	

Also see

None

:BATTery[n]:TEST:SENSe:AH:GMODEl:SAVE:INTERNAL

This command saves the measurement results to the internal memory as a battery model.

Type	Affected by	Where saved	Default value
Command only	Not applicable	Not applicable	Not applicable

Usage

```
:BATTery[n]:TEST:SENSe:AH:GMODEl:SAVE:INTERNAL <model_index>
:BATTery[n]:TEST:SENSe:AH:GMODEl:SAVE:INTERNAL?
```

<n>	Channel number: For single-channel instruments, the value is 1
<model_index>	1 ~ 9

Details

This command saves the measurement results as a battery model to the internal memory. You can save up to 9 battery models.

Example

```
:BATT:TEST:SENS:AH:GMOD:SAVE:INTE 1 Save the measurement results as battery model 1.
```

Also see

[:BATTery\[n\]:TEST:SENSe:AH:GMODEl:RANGe](#) (on page 7-43)

:BATTery[n]:TEST:SENSe:AH:GMODe1:SAVE:USB

This command saves the measurement results to a USB flash drive as a battery model.

Type	Affected by	Where saved	Default value
Command only	Not applicable	Not applicable	Not applicable

Usage

```
:BATTery[n]:TEST:SENSe:AH:GMODe1:SAVE:USB <file_name>
:BATTery[n]:TEST:SENSe:AH:GMODe1:SAVE:USB?
```

<n>	Channel number: For single-channel instruments, the value is 1
<file_name>	You can name the battery model here

Details

This command saves the measurement results as a battery model to the internal memory. You can save up to 9 battery models.

NOTE

Make sure that the external USB flash drive is connected to the instrument before you send this command. An unstable connection between the USB flash drive and the instrument incurs error 520: "No USB flash drive found".

Example

```
:BATT:TEST:SENS:AH:GMOD:SAVE:USB
<myModel>
```

Save the measurement results to the USB as a battery model with the name of myModel11.

Also see

[:BATTery\[n\]:TEST:SENSe:AH:GMODe1:RANGe](#) (on page 7-43)

:BATTery[n]:TEST:SENSe:AH:END

This command sets and queries the minimum threshold value of the current during A-H measurement in the battery test function.

Type	Affected by	Where saved	Default value
Command and query	Recall settings Instrument reset Power cycle	Save settings	0.001 A

Usage

```
:BATTery[n]:TEST:SENSe:AH:END <value>
:BATTery[n]:TEST:SENSe:AH:END?
:BATTery[n]:TEST:SENSe:AH:END? DEFault
:BATTery[n]:TEST:SENSe:AH:END? MINimum
:BATTery[n]:TEST:SENSe:AH:END? MAXimum
```

<n>	Channel number: For single-channel instruments, the value is 1
<value>	0 ~ 0.1 A

Details

This command specifies the end current for charging or discharging. If the current exceeds the end current, the charging or discharging stops.

Example

```
:BATT:TEST:SENS:AH:END 0.05
```

Set the end current value to 0.05 A.

Also see

None

:BATTery[n]:TEST:SENSe:AH:EXECute

This command sets the status of the A-H measurement.

Type	Affected by	Where saved	Default value
Command only	Not applicable	Not applicable	Not applicable

Usage

```
:BATTery[n]:TEST:SENSe:AH:EXECute <action>
```

<n>	Channel number: For single-channel instruments, the value is 1
<action>	<ul style="list-style-type: none"> • START • STOP • PAUSE • CONTinue

Example

```
:BATT:TEST:SENS:AH:EXEC STAR
```

Set the measurement to start.

Also see

None

:BATTery[n]:MODEl<model_index>:<element>

This command sets and queries a list of custom values for a specified battery model.

Type	Affected by	Where saved	Default value
Command and query	Recall settings Instrument reset Power cycle	Save settings	Nonvolatile memory

Usage

```
:BATTery[n]:MODEl<model_index>:<element> <string>
:BATTery[n]:MODEl<model_index>:<element>?
```

<n>	Channel number: For single-channel instruments, the value is 1
<model_index>	1 ~ 9
<element>	RESistance: resistance Voc: open-circuit voltage
<string>	The setting values separated by commas; the maximum length of a string is 2048

Details

This command defines a list of <element> values (no more than 101 items) for the specified model.

NOTE

Creating a list with more than 101 items results in error 702, "Model length is too long".

Before executing the command, the number of values in the model must be 101. If less than 101, error 705, "Model length not enough," occurs. If this error is displayed, you can send the following command to add more values to the existing model :

```
:BATTery[n]:MODEl<model_index>:<element>:APPend
```

When you specify the values for a model, make sure that the resistance values are monotone non-increasing and the Voc values are monotone non-decreasing.

Example

:BATT:MOD1:RES "2.0,1.9,1.8"	Set the resistance to 2.0, 1.9, 1.8.
:BATT:MOD1:VOC "1, 2, 3"	Set the Voc to 1, 2, 3.

Also see

[:BATTery\[n\]:MODEl<model_index>:<element>:APPend](#) (on page 7-48)

:BATTery[n]:MODEl<model_index>:<element>:APPEnd

This command adds values to the specified model.

Type	Affected by	Where saved	Default value
Command only	Instrument reset	Nonvolatile memory	Not applicable

Usage

:BATTery[n]:MODEl<model_index>:<element>:APPEnd <string>

<n>	Channel number: For single-channel instruments, the value is 1
<model_index>	1 ~ 9
<element>	RESistance: resistance Voc: open-circuit voltage
<string>	The setting values separated by commas; the maximum length of a string is 2048

Details

This command allows you to add values to the specified model. The new values are added to the end of the existing values. You must set a total of 101 values in a model before executing it.

Example

```
:BATT:MOD1:RES:APPE "1.7,1.6,1.5" Add the values of 1.7, 1.6, 1.5.
```

Also see

[:BATTery\[n\]:MODEl<model_index>:<element>](#) (on page 7-47)

:BATTery[n]:MODEl<model_index>:<element>:STEPs?

This command queries the length of the specified model.

Type	Affected by	Where saved	Default value
Query only	Not applicable	Not applicable	Not applicable

Usage

:BATTery[n]:MODEl<model_index>:<element>:STEPs?

<n>	Channel number: For single-channel instruments, the value is 1
<model_index>	1 ~ 9
<element>	RESistance: resistance Voc: open-circuit voltage

Details

This command queries the length of the specified model. The result of this command indicates the number of values in the model.

Example

```
:BATT:MOD1:RES:STEP?
```

The number of values in the battery model is returned.

Also see

[:BATTery\[n\]:MODEl<model_index>:<element>](#) (on page 7-47)

[:BATTery\[n\]:MODEl<model_index>:<element>:APPEnd](#) (on page 7-48)

:BATTery[n]:MODEl<model_index>:<element>:SIMPlify

This command sets 11 points of the value for a battery model in a rough form.

Type	Affected by	Where saved	Default value
Command and query	Recall settings Instrument reset Power cycle	Nonvolatile memory	Not applicable

Usage

```
:BATTery[n]:MODEl<model_index>:<element>:SIMPlify <string>
:BATTery[n]:MODEl<model_index>:<element>:SIMPlify?
```

<n>	Channel number: For single-channel instruments, the value is 1
<model_index>	1 ~ 9
<element>	RESistance: resistance Voc: open-circuit voltage
<string>	Ten setting values separated by commas

Details

This command allows you to edit a battery model in a rough form without the need to edit 101 points of value. When you specify the 11 points, they will be inserted into the complete model with 101 points.

NOTE

If the point number is not 11, error 701, "Model length not enough" or error 702, "Model length is too long" occurs.

If the data in the model are out of range or do not meet the requirements that the resistance values should be monotone non-increasing and the Voc values should be monotone non-decreasing, error 710, "Illegal model data setting" occurs.

Example

```
:BATT:MOD1:RES:SIMP
  "2.1,2.0,1.9,1.8,1.7,1.6,1.5,1.4,1.3,1.2,1.0"
:BATT:MOD1:VOC:SIMP "0.2, 0.6,
  1.1,1.5,2.0,2.5,3.0,3.5,4.0,4.5,5.0
"
```

Set 11 points of value for resistance and Voc.

Also see

None

:BATTery[n]:MODEl<model_index>:ROW<row_index>

This command sets the values of open-circuit voltage and resistance for a specified battery model.

Type	Affected by	Where saved	Default value
Command and query	Recall settings Instrument reset Power cycle	Nonvolatile memory	Not applicable

Usage

```
:BATTery[n]:MODEl<model_index>:ROW<row_index> <string>
:BATTery[n]:MODEl<model_index>:ROW<row_index>?
```

<n>	Channel number: For single-channel instruments, the value is 1
<model_index>	1 ~ 9
<row_index>	0 ~ 100
<string>	Values of Voc and resistance separated by comma

Details

This command provides a way to edit the model line by line.

Example

:BATT:MOD1:ROW0 "1.2, 1"	Set the Voc to 1.2. Set the resistance to 1.
--------------------------	---

Also see

None

:BATTery[n]:MODEl:RCL

This command recalls a battery model from a memory.

Type	Affected by	Where saved	Default value
Command and query	Recall settings Instrument reset Power cycle	Save settings	Not applicable

Usage

```
:BATTery[n]:MODEl:RCL <model_index | build-in model>
:BATTery[n]:MODEl:RCL?
```

<n>	Channel number: For single-channel instruments, the value is 1
<model_index>	1 ~ 9
<build-in model>	One of the five macro definitions: <ul style="list-style-type: none"> LI-ION4_2 NIMH1_2 NICD1_2 LEAD-ACID12 NIMH12

Details

This command recalls a battery model from a memory. You can also query the active recalled model number by sending the command: `:BATTery[n]:MODEl:RCL?`

Example

```
:BATT:MOD:RCL 1
:BATT:MOD:RCL LM_BATT1
```

Recall battery model 1.

Also see

None

:BATTery[n]:MODEl:SAVE:INTErnal

This command saves a battery model to the internal memory.

Type	Affected by	Where saved	Default value
Command only	Not applicable	Not applicable	Not applicable

Usage

```
:BATTery[n]:MODEl:SAVE:INTErnal <model_index>
```

<n>	Channel number: For single-channel instruments, the value is 1
<model_index>	1 ~ 9

Details

The 2281S-20-6 can save up to 9 battery model in the internal memory.

Before saving, the instrument will verify the number of values in the battery model to be saved. If it is 101, the model will be saved. Otherwise, error 701, "Model length not enough," is displayed.

NOTE

If a model with the same name already exists, the newly saved one will replace the existing one.

Example

```
:BATT:MOD:SAVE:INTE 1
```

Save a battery model into the internal memory as model 1.

Also see

None

:BATTery[n]:MODEl:SAVE:USB

This command saves a battery model to a USB flash drive.

Type	Affected by	Where saved	Default value
Command only	Not applicable	Not applicable	Not applicable

Usage

```
:BATTery[n]:MODEl:SAVE:USB <model_index>,<file_name>
```

<n>	Channel number: For single-channel instruments, the value is 1
<model_index>	1 ~ 9
<file_name>	The name of the saved battery model

Details

You can save a battery model to a USB flash drive.

NOTE

Make sure that the external USB flash drive is connected to the instrument properly before you send this command. An unstable connection between the USB flash drive and the instrument causes error 520, "No USB flash drive found".

Example

```
:BATT:MOD:SAVE:USB 1,"myModel"
```

Save a battery model into the USB flash drive as myModel.

Also see

None

:BATTery[n]:MODEl:LOAD:USB

This command imports a model from a USB flash drive to the internal memory.

Type	Affected by	Where saved	Default value
Command only	Not applicable	Not applicable	Not applicable

Usage

```
:BATTery[n]:MODEl:LOAD:USB <model_index>,<file_name>
```

<n>	Channel number: For single-channel instruments, the value is 1
<model_index>	1 ~ 9
<file_name>	The name of the battery model in the USB flash drive

Details

This command imports a model from a USB flash drive to the instrument and saves it in the internal memory with a name specified by <model-index>. If a model with that name already exists, the new model will replace the existing model.

NOTE

Make sure that the external USB flash drive is connected to the instrument properly before you send this command. An unstable connection between the USB flash drive and the instrument causes error 520, "No USB flash drive found".

Example

```
:BATT:MOD:LOAD:USB 1,"myModel"
```

Import the battery model with the name `myModel` from the USB flash drive as model 1 in the internal memory.

Also see

None

:BATTery:DIGital:LINE<line_index>:CONFigure

This command sets the digital I/O line function.

Type	Affected by	Where saved	Default value
Command and query	Recall settings Instrument reset Power cycle	Save settings	Line 1 – AUTO Line 2 – MANual, MINPut Line 3 – AUTO Line 4 – MANual, MINPut Line 5 – MANual, MINPut Line 6 – MANual, MINPut

Usage

```
:BATTery:DIGital:LINE<line_index>:CONFigure <function>[,action]
```

```
:BATTery:DIGital:LINE<line_index>:CONFigure?
```

<line_index>	1 ~ 6		
<function>[,action]	<function>	<action>	Description
	AUTO		Automatically specify the pin state; this function only applies to line 1 and 3: <ul style="list-style-type: none"> Line 1: Trigger in. Detects falling-edge, rising edge, or either edge triggers as input. Line 3: Protection output pulse. Outputs 10μs TTL-compatible pulse when OXP(OVP/OCP/OTP) or sense leads reverse occurs.
	DIGIN	OUTPUTON OUTPUTOFF SSTART SSTOP	This function only applies to lines 2,4,5,6; SSTART SSTOP are only available in TEST mode; default <action> is OUTPUTON.
	DIGOUT	FULL EMPTy CCCV END SSource HV LV	This function only applies to lines 2 4 5 6; FULL EMPTy are only available in SIM mode. CCCV END are only available in TEST mode; default <action> is HV.

	MANual	MOUTH MOUTL MINPut	This function applies to all pins.
--	--------	---------------------------	------------------------------------

Example

<code>:BATT:DIGital:LINE1:CONFigure AUTO</code>	Set line 1 as AUTO.
<code>:BATT:DIGital:LINE2:CONFigure DIGOUT, CCCV</code>	Set line 2 as DIGOUT with CCCV.

Also see

None

:BATTery:DIGital:LINE<n>:EDGE

This command selects the edge direction of the level trigger for digital in and digital out.

Type	Affected by	Where saved	Default value
Command and query	Recall settings Instrument reset Power cycle	Save settings	RISE

Usage

```
:BATTery:DIGital:LINE<line_index>:EDGE <edge>
:BATTery:DIGital:LINE<line_index>:EDGE?
```

<line_index>	1 ~ 6
<edge>	RISE FALL

Example

<code>:BATT:DIGital:LINE2:EDG FALL</code>	Set the edge direction of line 2 as FALL.
---	---

Also see

None

:BATTery:DIGital:LINE<n>:MANual:INPut:DATA?

This command queries the manually-input data to the digital I/O pin.

Type	Affected by	Where saved	Default value
Query only	Not applicable	Not applicable	Not applicable

Usage

```
:BATTery:DIGital:LINE<line_index>:MANual:INPut:DATA?
```

<line_index>	1 ~ 6
--------------	-------

Details

If the line is not assigned to a manual input, querying the pin gets no return and error 508, "Querying manual input data of the line which is not set as Manual Input line" occurs.

Example

:BATT:DIGital:LINE2:MAN:INP:DATA?	Queries the digital line 2.
-----------------------------------	-----------------------------

Also see

None

:BATTery[n]:TRACe|DATA:DATA?

This command queries the data from the trace buffer.

Type	Affected by	Where saved	Default value
Query only	Recall settings Instrument reset Power cycle	Not applicable	Not applicable

Usage

```
:BATTery[n]:TRACe:DATA? [<buffer elements>]
```

```
:BATTery[n]:DATA:DATA? [<buffer elements>]
```

<n>	Channel number: For single-channel instruments, the value is 1
<buffer elements>	A list of elements in the buffer: if nothing is specified, default values are VOLTage, CURRent, UNIT, and RELative. See Details in the below for the list of options.

Details

You can use this command to read all the data that are stored in the buffer.

You can send this command even if the instrument is saving data in the buffer.

When this command is sent, it will return the data stored up to that point. Subsequent execution of the command will not display the data already returned. However, once the buffer has been fully filled, you can query all the stored data again by sending this command.

For example, if `BATTery:TRACe:DATA? "VOLT, CURR"` is sent, the subsequent `BATTery:TRACe:DATA? "MODE"` command will not return the current and voltage information. You can get additional buffer data by sending the command `BATTery:TRACe:DATA:SElected?`.

When specifying buffer elements, you can:

- Specify buffer elements in any order.
- Include up to 12 elements in a single list.
- Repeat elements as long as the number of elements in the list is less than 12.
- Use a comma to separate multiple elements for a data point.
- Use quotation mark to enclose all the elements.

The options for <buffer elements> are described in the following table.

Options	Description	Example
VOLTage	The voltage value	+4.566723E+01
CURRent	The current value	+8.034562E-03
SOC	Value of State of charge, only available in SIMulator mode	95.50
RESistance	Internal resistance value in SIMulator mode; ECR value in TEST mode.	1.52
AH	Actual A-H data only available in TEST mode.	+1.040727E-4
UNIT	Unit for measurement reading, source value, time stamp and reading number.	'mA', 's' and 'RDNG#'
MODE	Output state	CC,CV or OFF
DATE	The date when the data was generated	07/01/2013

TIME	The time when the data was generated	19:21:36.2553
TSTamp	The date and time when the data was generated	07/01/2013 19:21:36.2553
RELative	The relative time when the data was generated	+4.430876E+00
RSTamp	The relative stamp time when the data was generated	00:00:10.0126
RNUMBER	Reading number indicates the index that the point in trace buffer.	0001

NOTE

If you include SOC in <buffer elements> in battery test or AH measurement in battery simulator, error 709, "buffer elements not supported in this mode," occurs.

Example

```
:BATT:TRAC:DATA? "SOC,UNIT,REL" The values of SOC, UNIT, and REL are returned.
```

Also see

None

:BATTery[n]:TRACe|DATA:DATA:SEL?

This command queries the data from the trace buffer of specific points.

Type	Affected by	Where saved	Default value
Query only	Recall settings Instrument reset Power cycle	Not applicable	Not applicable

Usage

:BATTery[n]:TRACe|DATA:DATA:SEL? <start>, <end>[,<buffer elements>]

<n>	Channel number: For single-channel instruments, the value is 1
<start>	1~ 2500
<end>	1~ 2500
<buffer elements>	A list of elements in the buffer If nothing is specified, default values are VOLTage, CURRent, UNIT, and RELative. See Details in :BATTery[n]:TRACe DATA:DATA? (on page 7-57) for the list of options.

Details

<start> specifies the beginning of the data queried.

The trace buffer size is 2500 points for both battery test and simulator.

We recommend you to get the data of at least 100 points.

For example, `BATTery:TRACe:DATA:SELEcted 1,100,"VOLT, CURR"` command will return the first 100 voltage and current values from the buffer.

If other buffer data is required, such as the CV or CC status, send the command `BATTery:TRACe:DATA:SELEcted? 1,100,"MODE"`.

Example

```
:BATT:TRAC:DATA:SEL? 1, 10,
"VOLT,UNIT,REL"
```

The first 10 points of VOLT, UNIT, and REL are returned.

Also see

[:BATTery\[n\]:TRACe|DATA:DATA?](#) (on page 7-57)

:BATTery[n]:TRACe|DATA:CLEAr

This command clears all the data in the buffer.

Type	Affected by	Where saved	Default value
Command only	Not applicable	Not applicable	Not applicable

Usage

```
:BATTery[n]:TRACe|DATA:CLEAr
```

<n>	Channel number: For single-channel instruments, the value is 1
-----	--

Example

```
:BATT:TRAC:CLE Clear the data buffer.
```

Also see

None

:BATTery[n]:TRACe|DATA:SAVE

This command saves the data in the buffer to a USB flash drive.

Type	Affected by	Where saved	Default value
Command only	Not applicable	Not applicable	Not applicable

Usage

```
:BATTery[n]:TRACe|DATA:SAVE <fileName>
:BATTery[n]:TRACe|DATA:SAVE <fileName>, <timeFormat>
:BATTery[n]:TRACe|DATA:SAVE <fileName>, <timeFormat>, <start>, <end>
```

<n>	Channel number: For single-channel instruments, the value is 1
<file_name>	You can name the saved data here.
<timeFormat>	Defines how date and time information from the buffer is saved in the file on the USB flash drive; the values are: <ul style="list-style-type: none"> Dates, times, and fractional seconds are saved as the default value: TSTamp Relative time stamps (in seconds) are saved: RELative Relative time stamps are saved: RSTamp
<start>	The starting point of the data to be saved in the buffer
<end>	The ending point of the data to be saved in the buffer

Example

```
:BATT:TRAC:SAVE "my_data"
:BATT:TRAC:SAVE "my_data",REL
:BATT:TRAC:SAVE "my_data",REL,1,100
```

Save the first 100 points of data in the buffer with relative time stamp into the USB flash drive as "my data."

Also see

None

:BATTery[n]:TRACe:TRIGger:VOLTage:STATE

This command sets and queries the state of voltage level trigger.

Type	Affected by	Where saved	Default value
Command and query	Power cycle	Not applicable	0 (OFF)

Usage

```
:BATTery[n]:TRACe:TRIGger:VOLTage:STATE <state>
:BATTery[n]:TRACe:TRIGger:VOLTage:STATE?
```

<n>	Channel number: For single-channel instruments, the value is 1
<state>	ON or 1: Enable the voltage level trigger OFF or 0: Disable the voltage level trigger

Example

```
:BATT:TRAC:TRIG:VOLT:STAT 1 Enable the voltage level trigger.
```

Also see

[:BATTery\[n\]:TRACe:TRIGger:VOLTage:LEVel](#) (on page 7-61)
[:BATTery\[n\]:TRACe:TRIGger:VOLTage:DIRection](#) (on page 7-62)

:BATTery[n]:TRACe:TRIGger:VOLTage[:LEVel]

This command configures the voltage threshold value for the level trigger both in the battery simulator and battery test function.

Type	Affected by	Where saved	Default value
Command and query	Power cycle	Not applicable	0

Usage

```
:BATTery[n]:TRACe:TRIGger:VOLTage[:LEVel] <voltage threshold>
:BATTery[n]:TRACe:TRIGger:VOLTage[:LEVel]?
```

<n>	Channel number: For single-channel instruments, the value is 1
<voltage threshold>	0 ~ 20 V

Example

```
:BATT:TRAC:TRIG:VOLT 15 The voltage threshold value is set to 15.
```

Also see

[:BATTery\[n\]:TRACe:TRIGger:VOLTage:STATE](#) (on page 7-61)
[:BATTery\[n\]:TRACe:TRIGger:VOLTage:DIRection](#) (on page 7-62)

:BATTery[n]:TRACe:TRIGger:VOLTage:DIRection

This command specifies whether the voltage rises above or falls below a specified level when the level trigger is activated.

Type	Affected by	Where saved	Default value
Command and query	Power cycle	Not applicable	RISE

Usage

```
:BATTery[n]:TRACe:TRIGger:VOLTage:DIRection <direction>
```

```
:BATTery[n]:TRACe:TRIGger:VOLTage:DIRection?
```

<n>	Channel number: For single-channel instruments, the value is 1
<direction>	RISE FALL

Example

```
:BATT:TRAC:TRIG:VOLT:DIR RISE
```

The level trigger will be activated when the voltage rises above the preset threshold value.

Also see

[:BATTery\[n\]:TRACe:TRIGger:VOLTag:e:STATe](#) (on page 7-61)

[:BATTery\[n\]:TRACe:TRIGger:VOLTag:e:LEVel](#) (on page 7-61)

:BATTery[n]:TRACe:TRIGger:CURRent:STATe

This command sets and queries the state of current level trigger.

Type	Affected by	Where saved	Default value
Command and query	Power cycle	Not applicable	0 (OFF)

Usage

```
:BATTery[n]:TRACe:TRIGger:CURRent:STATe <state>
```

```
:BATTery[n]:TRACe:TRIGger:CURRent:STATe?
```

<n>	Channel number: For single-channel instruments, the value is 1
<state>	ON or 1: Enable the current level trigger OFF or 0: Disable the current level trigger

Example

```
:BATT:TRAC:TRIG:CURR:STAT 1
```

Enable the current level trigger.

Also see

[:BATTery\[n\]:TRACe:TRIGger:CURRent:LEVel](#) (on page 7-63)

[:BATTery\[n\]:TRACe:TRIGger:CURRent:DIRection](#) (on page 7-63)

:BATTery[n]:TRACe:TRIGger:CURRent[:LEVel]

This command configures the current threshold value for the level trigger both in the battery simulator and battery test function.

Type	Affected by	Where saved	Default value
Command and query	Power cycle	Not applicable	0

Usage

```
:BATTery[n]:TRACe:TRIGger:CURRent[:LEVel] <current threshold>
```

```
:BATTery[n]:TRACe:TRIGger:CURRent[:LEVel]?
```

<n>	Channel number: For single-channel instruments, the value is 1
<current threshold>	0 ~ 6 A

Example

```
:BATT:TRAC:TRIG:CURR 1
```

The current threshold value is set to 1.

Also see

[:BATTery\[n\]:TRACe:TRIGger:CURRent:STATe](#) (on page 7-62)

[:BATTery\[n\]:TRACe:TRIGger:CURRent:DIRectioN](#) (on page 7-63)

:BATTery[n]:TRACe:TRIGger:CURRent:DIRectioN

This command specifies whether the current rises above or falls below a specified level when the level trigger is activated.

Type	Affected by	Where saved	Default value
Command and query	Power cycle	Not applicable	RISE

Usage

```
:BATTery[n]:TRACe:TRIGger:CURRent:DIRectioN <direction>
```

```
:BATTery[n]:TRACe:TRIGger:CURRent:DIRectioN?
```

<n>	Channel number: For single-channel instruments, the value is 1
<direction>	RISE FALL

Example

```
:BATT:TRAC:TRIG:CURR:DIR RISE
```

The level trigger will be activated when the current rises above the preset threshold value.

Also see

[:BATTery\[n\]:TRACe:TRIGger:CURRent:STATe](#) (on page 7-62)

[:BATTery\[n\]:TRACe:TRIGger:CURRent\[:LEVel\]](#) (on page 7-63)

:BATTery[n]:TRACe:TRIGger:OFFSet

This command defines the number of points at which the instrument begins to log data in the buffer both in the battery simulator and battery test function.

Type	Affected by	Where saved	Default value
Command and query	Power cycle	Not applicable	0

Usage

```
:BATTery[n]:TRACe:TRIGger:OFFSet <offset>
```

```
:BATTery[n]:TRACe:TRIGger:OFFSet?
```

<n>	Channel number: For single-channel instruments, the value is 1
<offset>	0 ~ 2500

Example

```
:BATT:TRAC:TRIG:OFFS 10
:BATT:TRAC:TRIG:OFFS?
```

10 points before the level trigger activation are cleared.

Also see

None

:BATTery[n]:TRACe:TRIGger:OCCUR?

This command queries whether a level trigger has occurred both in the battery simulator and battery test function.

Type	Affected by	Where saved	Default value
Query only	Not applicable	Not applicable	Not applicable

Usage

```
:BATTery[n]:TRACe:TRIGger:OCCUR?
```

<n>	Channel number: For single-channel instruments, the value is 1
-----	--

Example

```
:BATT:TRAC:TRIG:OCCUR?
```

Queries whether a level trigger has occurred. If a level trigger has occurred, the value of 1 will be returned.

Also see

None

:BATTery[n]:OUTPut[:STATe]

This command sets the state of the instrument output.

Type	Affected by	Where saved	Default value
Command and query	Recall settings Instrument reset Power cycle	Save settings	0 (OFF)

Usage

```
:BATTery[n]:OUTPut[:STATe] <state>
:BATTery[n]:OUTPut[:STATe]?
```

<n>	Channel number: For single-channel instruments, the value is 1
<state>	Turn source off: 0 or OFF Turn source on: 1 or ON Disable source: 2 or DISable

Example

```
:BATT:OUTP ON Turn the battery output on.
```

Also see

None

:BATTery[n]:OUTPut:PROTection:CLEAr

This command clears the overvoltage, overcurrent, overtemperature, or reverse fault status.

Type	Affected by	Where saved	Default value
Command only	Not applicable	Not applicable	Not applicable

Usage

```
:BATTery[n]:OUTPut:PROTection:CLEAr
```

<n>	Channel number: For single-channel instruments, the value is 1
-----	--

Details

This command clears the protection status if an overvoltage, overcurrent, or overtemperature protection condition occurred or a reverse sense fault was detected.

For all four faults, this command also clears the related Questionable Instrument Summary Condition Register bit.

Example

```
:BATT:OUTP:PROT:CLE Clear the fault status.
```

Also see

[:BATTery\[n\]:OUTPut:PROTection:TRIPped?](#) (on page 7-66)
[Status model](#) (on page D-1)

:BATTery[n]:OUTPut:PROTection:TRIPped?

This command queries whether over-protection has been tripped both in the battery simulator and battery test function.

Type	Affected by	Where saved	Default value
Query only	Not applicable	Not applicable	Not applicable

Usage

```
:BATTery[n]:OUTPut:PROTection:TRTPped?
```

Channel number: For single-channel instruments, the value is 1

Details

There are also six types of responses both in the battery test and battery simulator function, including:

- OCP indicates overcurrent protection occurred.
- OVP indicates overvoltage protection occurred.
- OTP indicates overtemperature protection occurred.
- RVS indicates reverse sense fault detected.
- OPS indicates open sense error protection occurred.
- NONE indicates nothing occurred.

Example

```
:BATT:OUTP:PROT:TRIP?
```

If the overvoltage protection circuit in channel 1 is tripped, the query returns *OVP*.
 If the protection circuit is not tripped, the query returns *NONE*.

Also see

None

:BATTery[n]:STATus?

This command queries the present status of charging or discharging of the instrument.

Type	Affected by	Where saved	Default value
Query only	Not applicable	Not applicable	Not applicable

Usage

```
:BATTery[n]:STATus?
```

Channel number: For single-channel instruments, the value is 1

Details

There are two types of responses after you execute this command, including:

- CHARGE : source current
- DISCHARGE: sink current

Example

```
:BATT:STAT? One of the two status will be returned.
```

Also see

None

CALCulate subsystem

The commands in this subsystem configure and control the math and statistic operations.

:CALCulate[1]:<function>:FORMat

This command specifies which math operation is performed on measurements.

Type	Affected by	Where saved	Default value
Command and query	Recall settings Instrument reset Power cycle	Save settings	MXB

Usage

```
:CALCulate[1]:<function>:FORMat <name>
:CALCulate[1]:<function>:FORMat <name>,<channel>
:CALCulate[1]:<function>:FORMat?
:CALCulate[1]:<function>:FORMat? <channel>
```

<function>	The measurement function to which this setting applies: <ul style="list-style-type: none"> • Concurrent: CONCurrent[:DC] • Current: CURRent[:DC] • Voltage: VOLTage[:DC]
<name>	The name of the math operation: <ul style="list-style-type: none"> • y = mx + b: MXB
<channel>	The channel number: <ul style="list-style-type: none"> • Channel 1: CH1 • Channel 2: CH2 The default value is CH1

Details

This command specifies which math operation is performed on measurements for the selected measurement function.

You can choose the math operation $y = mx + b$, and math calculations are applied to the input signal after filter and relative offset operations.

$y = mx+b$: Manipulates normal display readings by adjusting the m and b factors.

Example

```
:CALC:VOLT:FORM MXB
```

Set the math function for voltage measurements to $mx + b$.

Also see

[:CALCulate\[1\]:<function>:KMATH:MBFactor](#) (on page 7-68)

[:CALCulate\[1\]:<function>:KMATH:MMFactor](#) (on page 7-69)

[:CALCulate\[1\]:<function>:KMATH:MUNits](#) (on page 7-71)

[:CALCulate\[1\]:<function>:STATe](#) (on page 7-72)

:CALCulate[1]:<function>:KMATH:MBFactor

This command specifies the offset for the $y = mx + b$ operation.

Type	Affected by	Where saved	Default value
Command and query	Recall settings Instrument reset Power cycle	Save settings	0

Usage

```
:CALCulate[1]:<function>:KMATH:MBFactor <n>
:CALCulate[1]:<function>:KMATH:MBFactor <n>,<channel>
:CALCulate[1]:<function>:KMATH:MBFactor?
:CALCulate[1]:<function>:KMATH:MBFactor? <channel>
```

<function>	The measurement function to which this setting applies: <ul style="list-style-type: none"> Concurrent: CONCurrent[:DC] Current: CURRent[:DC] Voltage: VOLTage[:DC]
<n>	The offset for the $y = mx + b$ operation; the valid range is -1e6 to +1e6
<channel>	The channel number: <ul style="list-style-type: none"> Channel 1: CH1 Channel 2: CH2 The default value is CH1

Details

This attribute specifies the offset (b) for an $mx + b$ operation.

The $mx + b$ math operation lets you manipulate normal display readings (x) mathematically based on the calculation:

$$y = mx + b$$

Where:

- y is the displayed result
- m is a user-defined constant for the scale factor
- x is the measurement reading (if you are using a relative offset, this is the measurement with relative offset applied)
- b is the user-defined constant for the offset factor

Example

:CALC:VOLT:FORM MXB	Set the math function for voltage measurements to $mx+b$.
:CALC:VOLT:KMAT:MMF 0.80	Set the scale factor for voltage measurements to 0.80.
:CALC:VOLT:KMAT:MBF 50	Set the offset factor to 50.
:CALC:VOLT:KMAT:MUN 'C'	Set unit to 'C'
:CALC:VOLT:STATe ON	Enable the math function.

Also see

- [:CALCulate\[1\]:<function>:FORMat](#) (on page 7-67)
- [:CALCulate\[1\]:<function>:KMATH:MMFactor](#) (on page 7-69)
- [:CALCulate\[1\]:<function>:KMATH:MUNits](#) (on page 7-71)
- [:CALCulate\[1\]:<function>:STATe](#) (on page 7-72)

:CALCulate[1]:<function>:KMATH:MMFactor

This command specifies the scale factor for the $y = mx + b$ math operation.

Type	Affected by	Where saved	Default value
Command and query	Recall settings Instrument reset Power cycle	Save settings	1.000000

Usage

```
:CALCulate[1]:<function>:KMATH:MMFactor <n>
:CALCulate[1]:<function>:KMATH:MMFactor <n>,<channel>
:CALCulate[1]:<function>:KMATH:MMFactor?
:CALCulate[1]:<function>:KMATH:MMFactor? <channel>
```

<function>	The measurement function to which this setting applies: <ul style="list-style-type: none"> • Concurrent: CONCurrent[:DC] • Current: CURRent[:DC] • Voltage: VOLTage[:DC]
<n>	The scale factor; the valid range is -1e6 to +1e6
<channel>	The channel number: <ul style="list-style-type: none"> • Channel 1: CH1 • Channel 2: CH2 The default value is CH1

Details

This command sets the scale factor (m) for an $mx + b$ operation for the selected measurement function.

The $mx + b$ math operation lets you manipulate normal display readings (x) mathematically according to the following calculation:

$$y = mx + b$$

Where:

- y is the displayed result
- m is a user-defined constant for the scale factor
- x is the measurement reading (if you are using a relative offset, this is the measurement with relative offset applied)
- b is the user-defined constant for the offset factor

Example

<pre>:CALC:VOLT:FORM MXB :CALC:VOLT:KMAT:MMF 0.80 :CALC:VOLT:KMAT:MBF 50 :CALC:VOLT:KMAT:MUN 'C' :CALC:VOLT:STATe ON</pre>	<p>Set the math function for voltage measurements to $mx + b$.</p> <p>Set the scale factor for voltage measurements to 0.80.</p> <p>Set the offset factor to 50.</p> <p>Set unit to 'C'</p> <p>Enable the math function.</p>
--	---

Also see

[:CALCulate\[1\]:<function>:FORMat](#) (on page 7-67)
[:CALCulate\[1\]:<function>:KMATh:MBFactor](#) (on page 7-68)
[:CALCulate\[1\]:<function>:KMATh:MUNits](#) (on page 7-71)
[:CALCulate\[1\]:<function>:STATe](#) (on page 7-72)

:CALCulate[1]:<function>:KMATH:MUNits

This command specifies the units suffix name for the $y = mx + b$ math operation.

Type	Affected by	Where saved	Default value
Command and query	Recall settings Instrument reset Power cycle	Save settings	X

Usage

```
:CALCulate[1]:<function>:KMATH:MUNits <string>
:CALCulate[1]:<function>:KMATH:MUNits <string>,<channel>
:CALCulate[1]:<function>:KMATH:MUNits?
:CALCulate[1]:<function>:KMATH:MUNits? <channel>
```

<function>	The measurement function to which this setting applies: <ul style="list-style-type: none"> Concurrent: CONCurrent[:DC] Current: CURRent[:DC] Voltage: VOLTage[:DC]
<string>	The units for the $mx + b$ calculation; this parameter must be one character enclosed in single or double quotes. It can be any letter of the alphabet.
<channel>	The channel number: <ul style="list-style-type: none"> Channel 1: CH1 Channel 2: CH2 The default value is CH1

Details

This command specifies the units suffix name for an $mx + b$ operation. Use one letter of the alphabet for the units suffix name.

Example

:CALC:VOLT:FORM MXB	Set the math function for voltage measurements to $mx + b$.
:CALC:VOLT:KMAT:MMF 0.80	Set the scale factor for voltage measurements to 0.80.
:CALC:VOLT:KMAT:MBF 50	Set the offset factor to 50.
:CALC:VOLT:KMAT:MUN 'C'	Set unit to 'C'
:CALC:VOLT:STATe ON	Enable the math function.

Also see

[:CALCulate\[1\]:<function>:FORMat](#) (on page 7-67)
[:CALCulate\[1\]:<function>:KMATH:MBFactor](#) (on page 7-68)
[:CALCulate\[1\]:<function>:KMATH:MMFactor](#) (on page 7-69)
[:CALCulate\[1\]:<function>:STATe](#) (on page 7-72)

:CALCulate[1]:<function>:STATE

This command enables or disables the math operations.

Type	Affected by	Where saved	Default value
Command and query	Recall settings Instrument reset Power cycle	Save settings	0 (OFF)

Usage

```
:CALCulate[1]:<function>:STATE <state>[,<channel>]
:CALCulate[1]:<function>:STATE? [<channel>]
```

<function>	The measurement function to which this setting applies: <ul style="list-style-type: none"> Concurrent: CONCURRENT[:DC] Current: CURRENT[:DC] Voltage: VOLTage[:DC]
<state>	Enable math operation: ON or 1 Disable math operation: OFF or 0
<channel>	The channel number: <ul style="list-style-type: none"> Channel 1: CH1 Channel 2: CH2 The default value is CH1

Details

When this command is set to on, the math operation specified by the math format command is performed before completing a measurement.

Example

:CALC:VOLT:FORM MXB	Set the math function for voltage measurements to $mx + b$.
:CALC:VOLT:KMAT:MMF 0.80	Set the scale factor for voltage measurements to 0.80.
:CALC:VOLT:KMAT:MBF 50	Set the offset factor to 50.
:CALC:VOLT:KMAT:MUN 'C'	Set unit to 'C'
:CALC:VOLT:STATE ON	Enable the math function.

Also see

[:CALCulate\[1\]:<function>:FORMat](#) (on page 7-67)
[:CALCulate\[1\]:<function>:KMATh:MBFactor](#) (on page 7-68)
[:CALCulate\[1\]:<function>:KMATh:MMFactor](#) (on page 7-69)
[:CALCulate\[1\]:<function>:KMATh:MUNits](#) (on page 7-71)

:CALCulate2:DATA?

This command reads the results of specified statistics.

Type	Affected by	Where saved	Default value
Query only	Not applicable	Not applicable	Not applicable

Usage

```
:CALCulate2:DATA?
:CALCulate2:DATA? <channel>
```

<channel>

The channel number:

- Channel 1: CH1
- Channel 2: CH2

The default value is CH1

Details

Return the calculation results of statistics. You can get the results in the following order:

- Minimum (MINimum)
- Maximum (MAXimum)
- Mean (MEAN)
- Standard deviation (SDEVIation)
- Peak to peak (PKPK)

NOTE

If the specified statistics have not been performed yet, the instrument will return $-1.000000E+37$.

If the buffer is empty, the instrument returns $-1.000000E+37$.

If there are a lot of readings stored in the buffer, some statistic operations may take too long and cause a buffer time-out error. To avoid this, send the `CALC2:DATA?` command and then wait for the message available (MAV) bit in the Status Byte Register to set before addressing the 2281S-20-6 to talk.

Example

<pre>*RST :TRAC:CLE :TRIG:COUN 10 :VOLT 6 :OUTP ON :INIT *OPC? :CALC2:STATE ON :CALC2:FUNC VOLT :CALC2:FORM:ELEM "READ,UNIT,TST,RNUM" :CALC2:FORM MIN,MAX :CALC2:IMM? :CALC2:FORM MIN,MAX,MEAN,PKPK,SDEV :CALC2:IMM? :CALC2:FORM MAX,SDEV :CALC2:DATA?</pre>	<p>Before the calculation, start the trigger model to take 10 readings.</p> <p>The first <code>CALC2:IMM?</code> returns reading, units, timestamp and reading number for min and max: 5.986128E+00V,06/25/2013 09:39:31.4455,0008RNDG#,5.987489E+00V,06/25/2013 09:39:30.7283,0001RNDG#</p> <p>The second <code>CALC2:IMM?</code> only returns reading and units for min, max, mean, pkpk and sdev: 5.986128E+00V,5.987489E+00V,5.986298E+00V,1.360893E-03V,4.204334E-04V</p> <p><code>CALC2:DATA?</code> returns reading and units for max and sdev: 5.987489E+00V,4.204334E-04V</p>
--	--

Also see

[:CALCulate2:FORMat](#) (on page 7-74)

[:CALCulate2:IMMEDIATE](#) (on page 7-79)

:CALCulate2:FORMat

This command selects or queries which math statistics are used on readings stored in the buffer.

Type	Affected by	Where saved	Default value
Command and query	Recall settings Instrument reset Power cycle	Save settings	MIN, MAX, MEAN, PKPK, SDEV

Usage

```
:CALCulate2:FORMat <item list>[,<channel>]
:CALCulate2:FORMat? [<channel>]
```

<item list>	<p>The available math statistics:</p> <ul style="list-style-type: none"> • Minimum value: MINimum • Maximum value: MAXimum • Average: MEAN • Standard deviation: SDEViation • Peak to peak: PKPK • None of the statistic operations are selected: NONE
<channel>	<p>The channel number:</p> <ul style="list-style-type: none"> • Channel 1: CH1 • Channel 2: CH2 <p>The default value is CH1</p>

Details

Use this command to select one or more available math formats. To use more than one format, separate each format with a comma (,).

NOTE

You can specify the statistic formats in any order. However, when more than one statistic formats are selected, `CALC2:IMM?` and `CALC2:DATA?` always return the data in the following order: MIN, MAX, MEAN, PKPK, and SDEV.

Example

```
*RST
:TRAC:CLE
:TRIG:COUN 10
:VOLT 6
:OUTP ON
:INIT
*OPC?
:CALC2:STATE ON
:CALC2:FUNC VOLT
:CALC2:FORM:ELEM "READ,UNIT,TST,RNUM"
:CALC2:FORM MIN,MAX
:CALC2:IMM?
:CALC2:FORM MIN,MAX,MEAN,PKPK,SDEV
:CALC2:IMM?
:CALC2:FORM MAX,SDEV
:CALC2:DATA?
```

Before the calculation, start the trigger model to take 10 readings.

The first `CALC2:IMM?` returns reading, units, timestamp and reading number for min and max:

```
5.986128E+00V,06/25/2013
```

```
09:39:31.4455,0008RNDG#,5.987489E+00V,06/25/2013
```

```
09:39:30.7283,0001RNDG#
```

The second `CALC2:IMM?` only returns reading and units for min, max, mean, pkpk and sdev:

```
5.986128E+00V,5.987489E+00V,5.986298E+00V,1.360
```

```
893E-03V,4.204334E-04V
```

`CALC2:DATA?` returns reading and units for max and sdev: `5.987489E+00V,4.204334E-04V`

Also see

[:CALCulate2:FORMat:ELEMents](#) (on page 7-76)

[:CALCulate2:IMMEDIATE](#) (on page 7-79)

[:CALCulate2:STATe](#) (on page 7-80)

:CALCulate2:FORMat:ELEMents

This command specifies or queries data elements to be included in the data string. It only influences minimum and maximum query results.

Type	Affected by	Where saved	Default value
Command and query	Recall settings Instrument reset Power cycle	Save settings	READ, UNIT

Usage

```
:CALCulate2:FORMat:ELEMents <item list>
:CALCulate2:FORMat:ELEMents <item list>,<channel>
:CALCulate2:FORMat:ELEMents?
:CALCulate2:FORMat:ELEMents? <channel>
```

<item list>	<p>The available data elements:</p> <ul style="list-style-type: none"> • Voltage and current reading: READing • Reading units: UNIT • Reading number: RNUMBER • Timestamp: TSTamp. For example, output might be: 07/01/2013 19:21:36.2553
<channel>	<p>The channel number:</p> <ul style="list-style-type: none"> • Channel 1: CH1 • Channel 2: CH2 <p>The default value is CH1</p>

Details

This command affects the output of the following commands:

- :CALCulate2:IMMEDIATE?
- :CALCulate2:DATA?

You can specify one or more elements. <item list> is a string that must be enclosed in single or double quotes. Each element in the list must be separated by a comma (,).

Example

```
*RST
:TRAC:CLE
:TRIG:COUN 10
:VOLT 6
:OUTP ON
:INIT
*OPC?
:CALC2:STATE ON
:CALC2:FUNC VOLT
:CALC2:FORM:ELEM "READ,UNIT,TST,RNUM"
:CALC2:FORM MIN,MAX
:CALC2:IMM?
:CALC2:FORM MIN,MAX,MEAN,PKPK,SDEV
:CALC2:IMM?
:CALC2:FORM MAX,SDEV
:CALC2:DATA?
```

Before the calculation, start the trigger model to take 10 readings.

The first CALC2:IMM? returns reading, units, timestamp and reading number for min and max:

```
5.986128E+00V,06/25/2013
```

```
09:39:31.4455,0008RNDG#,5.987489E+00V,06/25/2013
09:39:30.7283,0001RNDG#
```

The second CALC2:IMM? only returns reading and units for min, max, mean, pkpk and sdev:

```
5.986128E+00V,5.987489E+00V,5.986298E+00V,1.360
893E-03V,4.204334E-04V
```

CALC2:DATA? returns reading and units for max and sdev: 5.987489E+00V,4.204334E-04V

Also see

[:CALCulate2:FORMat](#) (on page 7-74)

[:CALCulate2:IMMEDIATE](#) (on page 7-79)

[:CALCulate2:STATe](#) (on page 7-80)

:CALCulate2:FUNCTION

This command specifies which buffer data to use with statistic operations.

Type	Affected by	Where saved	Default value
Command and query	Power cycle Instrument reset Recall settings	Not applicable	Not applicable

Usage

```
:CALCulate2:FUNCTION <function>
:CALCulate2:FUNCTION <function>,<channel>
:CALCulate2:FUNCTION?
:CALCulate2:FUNCTION? <channel>
```

<function>	<ul style="list-style-type: none"> CURRENT: Apply statistic operations to current data only. VOLTage: Apply statistic operations to voltage data only.
<channel>	The channel number: <ul style="list-style-type: none"> Channel 1: CH1 Channel 2: CH2 The default value is CH1

Details

This command allows you to select specific data in the buffer to use with statistic operations. For example, if you select `CURRENT`, the statistic operations only apply to current values. Sending the `:CALCulate2:IMMEDIATE?` command only returns the statistic result of current value.

Example

<pre>*RST :TRAC:CLE :TRIG:COUN 10 :VOLT 6 :OUTP ON :INIT *OPC? :CALC2:STATE ON :CALC2:FUNC VOLT :CALC2:FORM:ELEM "READ,UNIT,TST,RNUM" :CALC2:FORM MIN,MAX :CALC2:IMM? :CALC2:FORM MIN,MAX,MEAN,PKPK,SDEV :CALC2:IMM? :CALC2:FORM MAX,SDEV :CALC2:DATA?</pre>	<p>Before the calculation, start the trigger model to take 10 readings.</p> <p>The first <code>CALC2:IMM?</code> returns reading, units, timestamp and reading number for min and max: <code>5.986128E+00V,06/25/2013</code> <code>09:39:31.4455,0008RNDG#,5.987489E+00V,06/25/2013</code> <code>09:39:30.7283,0001RNDG#</code></p> <p>The second <code>CALC2:IMM?</code> only returns reading and units for min, max, mean, pkpk and sdev: <code>5.986128E+00V,5.987489E+00V,5.986298E+00V,1.360</code> <code>893E-03V,4.204334E-04V</code></p> <p><code>CALC2:DATA?</code> returns reading and units for max and sdev: <code>5.987489E+00V,4.204334E-04V</code></p>
--	--

Also see

[:CALCulate2:FORMat](#) (on page 7-74)
[:CALCulate2:IMMEDIATE](#) (on page 7-79)
[:CALCulate2:STATE](#) (on page 7-80)

:CALCulate2:IMMediate

This command performs the selected statistic operation and reads the results.

Type	Affected by	Where saved	Default value
Command and query	Not applicable	Not applicable	Not applicable

Usage

```
:CALCulate2:IMMediate
:CALCulate2:IMMediate <channel>
:CALCulate2:IMMediate?
:CALCulate2:IMMediate? <channel>
```

<channel>	The channel number: <ul style="list-style-type: none"> • Channel 1: CH1 • Channel 2: CH2 The default value is CH1
-----------	---

Details

This command only performs the selected statistic operations when the operations are enabled. It returns the data in the following order: MIN, MAX, MEAN, PKPK, SDEV.

To query the operation state, send the command:

```
:CALCulate2:STATe?
```

NOTE

When the statistics operations are disabled, sending this command will not perform the statistic operations. However, it will return the last calculation results. If the specified statistics calculations have never been performed, the instrument returns $-1.000000E+37$.

If the buffer is empty, the instrument returns $-1.000000E+37$.

If you send the query command: `:CALCulate2:IMMediate?`, the instrument performs the following two actions:

- Finishes the selected statistic operation.
- Reads the calculation results.

Example

<pre>*RST :TRAC:CLE :TRIG:COUN 10 :VOLT 6 :OUTP ON :INIT *OPC? :CALC2:STATE ON :CALC2:FUNC VOLT :CALC2:FORM:ELEM "READ,UNIT,TST,RNUM" :CALC2:FORM MIN,MAX :CALC2:IMM? :CALC2:FORM MIN,MAX,MEAN,PKPK,SDEV :CALC2:IMM? :CALC2:FORM MAX,SDEV :CALC2:DATA?</pre>	<p>Before the calculation, start the trigger model to take 10 readings.</p> <p>The first <code>CALC2:IMM?</code> returns reading, units, timestamp and reading number for min and max: 5.986128E+00V,06/25/2013 09:39:31.4455,0008RNDG#,5.987489E+00V,06/25/2013 09:39:30.7283,0001RNDG#</p> <p>The second <code>CALC2:IMM?</code> only returns reading and units for min, max, mean, pkpk and sdev: 5.986128E+00V,5.987489E+00V,5.986298E+00V,1.360 893E-03V,4.204334E-04V</p> <p><code>CALC2:DATA?</code> returns reading and units for max and sdev: 5.987489E+00V,4.204334E-04V</p>
--	--

Also see

[:CALCulate2:FORMat](#) (on page 7-74)

[:CALCulate2:FORMat:ELEMents](#) (on page 7-76)

[:CALCulate2:STATe](#) (on page 7-80)

:CALCulate2:STATe

This command enables or disables the statistic calculations.

Type	Affected by	Where saved	Default value
Command and query	Recall settings Instrument reset Power cycle	Save settings	0 (OFF)

Usage

```
:CALCulate2:STATe <state>
:CALCulate2:STATe <state>,<channel>
:CALCulate2:STATe?
:CALCulate2:STATe? <channel>
```

<state>	Enable statistic calculations: ON or 1 Disable statistic calculations: OFF or 0
<channel>	The channel number: <ul style="list-style-type: none"> Channel 1: CH1 Channel 2: CH2 The default value is CH1

Example

<pre>*RST :TRAC:CLE :TRIG:COUN 10 :VOLT 6 :OUTP ON :INIT *OPC? :CALC2:STATE ON :CALC2:FUNC VOLT :CALC2:FORM:ELEM "READ,UNIT,TST,RNUM" :CALC2:FORM MIN,MAX :CALC2:IMM? :CALC2:FORM MIN,MAX,MEAN,PKPK,SDEV :CALC2:IMM? :CALC2:FORM MAX,SDEV :CALC2:DATA?</pre>	<p>Before the calculation, start the trigger model to take 10 readings.</p> <p>The first <code>CALC2:IMM?</code> returns reading, units, timestamp and reading number for min and max: 5.986128E+00V,06/25/2013 09:39:31.4455,0008RNDG#,5.987489E+00V,06/25/2013 09:39:30.7283,0001RNDG#</p> <p>The second <code>CALC2:IMM?</code> only returns reading and units for min, max, mean, pkpk and sdev: 5.986128E+00V,5.987489E+00V,5.986298E+00V,1.360893E-03V,4.204334E-04V</p> <p><code>CALC2:DATA?</code> returns reading and units for max and sdev: 5.987489E+00V,4.204334E-04V</p>
--	--

Also see

- [:CALCulate2:FORMat](#) (on page 7-74)
- [:CALCulate2:FORMat:ELEMents](#) (on page 7-76)
- [:CALCulate2:IMMmediate](#) (on page 7-79)

CALibration subsystem

The commands in this subsystem configure and control the calibration operations.

:CALibration:PROTECTED:CANCEl

This command cancels the calibration procedures and drops the new constants.

Type	Affected by	Where saved	Default value
Command only	Not applicable	Not applicable	Not applicable

Usage

```
:CALibration:PROTECTED:CANCEl
```

Details

When this command is sent, the instrument cancels the calibration and loses the new calibration constants.

Example

<pre>:CAL:PROT:CANCEl</pre>	<p>Cancels the calibration procedure and reverts the constants.</p>
-----------------------------	---

Also see

None

:CALibration:PROTECTED:CODE

This command changes the calibration password.

Type	Affected by	Where saved	Default value
Command only	Recall settings	Nonvolatile memory	'KI002281'

Usage

```
:CALibration:PROTECTED:CODE <string>
```

```
<string>
```

Calibration password: An 8-character string including letters and numbers.

Details

Before changing the password, you must first enable calibration mode by using the following command:

```
:CAL:PROT:STAT ON,<password>
```

Example

```
:CAL:PROT:CODE '12345678'
```

Change the calibration password to "12345678".

Also see

```
:CALibration:PROTECTED:STATE
```

:CALibration:PROTECTED:COUNT?

This query command returns the number of times that the instrument has completed calibration.

Type	Affected by	Where saved	Default value
Query only	Not applicable	Nonvolatile memory	Not applicable

Usage

```
:CALibration:PROTECTED:COUNT?
```

Details

Returns the number of times that the instrument has completed calibration. The calibration count will increase after saving the calibration constants.

Example

```
:CAL:PROT:COUN?
```

Return the number of times the calibration was completed.

Also see

None

:CALibration:PROTected:DATA?

This command queries the saved calibration constants.

Type	Affected by	Where saved	Default value
Query only	Not applicable	Nonvolatile memory	Not applicable

Usage

```
:CALibration:PROTected:DATA?
```

Details

For details, refer to Calibration constants.

Example

```
:CAL:PROT:DATA?
```

Return the calibration constants in order:

```
+4.989000E-02,+4.997200E+00,+9.091379E-01,+6.047600E-01,+1.306331E-02,+5.688220E+01,+1.230724E+00,+1.521200E-03,+4.262407E-03,+4.687520E-03,+1.500000E-01,+3.965609E-01,+3.980984E-03,+3.517675E-01,+5.200000E-03,+1.376206E-02,+1.458743E-02,+5.031000E-01,+1.332121E+00
```

Also see

None

:CALibration:PROTected:DATE

This command specifies the calibration date.

Type	Affected by	Where saved	Default value
Command and query	Not applicable	Nonvolatile memory	Not applicable

Usage

```
:CALibration:PROTected:DATE <year>,<month>,<day>
:CALibration:PROTected:DATE?
```

<year>	Year; must be more than 1970
<month>	Month: 1 to 12
<day>	Day: 1 to 31

Details

The query command returns the latest calibration date in the following format: <year> <month> <day>

Example

```
:CAL:PROT:DATE 2014, 5, 12
```

Set the calibration date to May 12, 2014.

Also see

None

:CALibration:PROTECTED[:DC[n]]:STEP<step>

This command performs the calibration procedures.

Type	Affected by	Where saved	Default value
Command only	Not applicable	Not applicable	Not applicable

Usage

```
:CALibration:PROTECTED[:DC[n]]:STEP1
:CALibration:PROTECTED[:DC[n]]:STEP2
:CALibration:PROTECTED[:DC[n]]:STEP3
:CALibration:PROTECTED[:DC[n]]:STEP4
:CALibration:PROTECTED[:DC[n]]:STEP5
:CALibration:PROTECTED[:DC[n]]:STEP6
:CALibration:PROTECTED[:DC[n]]:STEP7
:CALibration:PROTECTED[:DC[n]]:STEP8
:CALibration:PROTECTED[:DC[n]]:STEP9
:CALibration:PROTECTED[:DC[n]]:STEP10
:CALibration:PROTECTED[:DC[n]]:STEP11
:CALibration:PROTECTED[:DC[n]]:STEP12
```

[n]	Channel number: For single-channel instruments, the value is 1.
<step>	<p>The following steps represent the entire calibration process:</p> <p>Step1: V-ADC and V-DAC zero-point calibration.</p> <p>Step2: V-ADC and V-DAC full-scale calibration.</p> <p>Step3: I-100 mA and I-10 mA ADC zero-point calibration.</p> <p>Step4: I-100 mA and I-10 mA ADC full-scale calibration.</p> <p>Step5: I-10 A and I-1 A ADC zero-point calibration.</p> <p>Step6: I-DAC zero-point calibration.</p> <p>Step7: I-10 A and I-1 A ADC full-scale calibration.</p> <p>Step8: I-DAC full-scale calibration.</p> <p>Step9: I-100 mA ADC zero-point calibration for sink current.</p> <p>Step10: I-100 mA ADC full-scale calibration for sink current.</p> <p>Step11: I-1 A ADC zero-point calibration for sink current.</p> <p>Step12: I-1 A ADC full-scale calibration for sink current.</p>

Details

This command is used to start each calibration step. Users should follow the calibration procedure. See Example.

Example

:CAL:PROT:STAT ON, 'KI002281'	Enable the calibration mode.
:CAL:PROT:STEP1	Start voltage DAC and ADC zero-calibration point.
:CAL:PROT:STEP1:DATA 0.2996	Enter the voltage reading from the external DMM.
*OPC?	Wait until step 1 finishes. When finished, this command returns 1.
:CAL:PROT:STEP2	Start voltage DAC and ADC full-scale calibration.
:CAL:PROT:STEP2:DATA 29.945	Enter the voltage reading from external DMM.
*OPC?	Wait until step 2 finishes. When finished, this command returns 1.
:CAL:PROT:STEP3	Start current ADC zero-point calibration on the 100 mA range.

:CAL:PROT:STEP3:DATA 0.00505,5.05	Enter the voltage and resistance readings from the external DMM.
*OPC?	Wait until step 3 finishes. When finished, this command returns 1.
:CAL:PROT:STEP4	Start current ADC full-scale calibration on the 100 mA range.
:CAL:PROT:STEP4:DATA 0.505,5.05	Enter the voltage and resistance readings from the external DMM.
*OPC?	Wait until step 4 finishes. When finished, this command returns 1.
:CAL:PROT:STEP5	Start current ADC zero-point calibration on the 10 A range.
:CAL:PROT:STEP5:DATA 0.00298,0.0496	Enter the voltage and resistance readings from the external DMM.
*OPC?	Wait until step 5 finishes. When finished, this command returns 1.
:CAL:PROT:STEP6	Start current DAC zero-point calibration.
:CAL:PROT:STEP6:DATA	Wait for the instrument to collect data; you do not need to enter any parameters.
*OPC?	Wait until step 6 finishes. When finished, this command returns 1.
:CAL:PROT:STEP7	Start current ADC full-scale calibration on the 10 A range.
:CAL:PROT:STEP7:DATA 0.2996,0.0496	Enter the voltage and resistance readings from the external DMM.
*OPC?	Wait until step 7 finishes. When finished, this command returns 1.
:CAL:PROT:STEP8	Start current DAC full-scale calibration.
:CAL:PROT:STEP8:DATA	Wait for the instrument to collect data; you do not need to enter any parameters.
*OPC?	Wait until step 8 finishes. When finished, this command returns 1.
CAL:PROT:SAVE	Save calibration constants to nonvolatile memory.
CAL:PROT:STATE OFF, 'KI002281'	Disable the calibration mode.

Also see

:CALibration:PROTected[:DC[n]]:STEP<step>:DATA
[:CALibration:PROTected:SAVE](#) (on page 7-89)
 :CALibration:PROTected:STATE

:CALibration:PROTECTED[:DC[n]]:STEP<step>:DATA

This command enter the values for calibration calculations.

Type	Affected by	Where saved	Default value
Command only	Not applicable	Not applicable	Not applicable

Usage

```
:CALibration:PROTECTED[:DC[n]]:STEP1:DATA <voltage>
:CALibration:PROTECTED[:DC[n]]:STEP2:DATA <voltage>
:CALibration:PROTECTED[:DC[n]]:STEP3:DATA <voltage>,<resistance>
:CALibration:PROTECTED[:DC[n]]:STEP4:DATA <voltage>,<resistance>
:CALibration:PROTECTED[:DC[n]]:STEP5:DATA <voltage>,<resistance>
:CALibration:PROTECTED[:DC[n]]:STEP6:DATA
:CALibration:PROTECTED[:DC[n]]:STEP7:DATA <voltage>,<resistance>
:CALibration:PROTECTED[:DC[n]]:STEP8:DATA
:CALibration:PROTECTED[:DC[n]]:STEP9:DATA <voltage>,<resistance>
:CALibration:PROTECTED[:DC[n]]:STEP10:DATA <voltage>,<resistance>
:CALibration:PROTECTED[:DC[n]]:STEP11:DATA <voltage>,<resistance>
:CALibration:PROTECTED[:DC[n]]:STEP12:DATA <voltage>,<resistance>
```

[n]	Channel number: For single-channel instruments, the value is 1.
<step>	The following steps represent the entire calibration process: <ul style="list-style-type: none"> • Step1: V-ADC and V-DAC zero-point calibration. • Step2: V-ADC and V-DAC full-scale calibration. • Step3: I-100 mA and I-10 mA ADC zero-point calibration. • Step4: I-100 mA and I-10 mA ADC full-scale calibration. • Step5: I-10 A and I-1 A ADC zero-point calibration. • Step6: I-DAC zero-point calibration. • Step7: I-10 A and I-1 A ADC full-scale calibration. • Step8: I-DAC full-scale calibration. • Step9: I-10 A and I-1 A ADC zero-point calibration for sink current. • Step10: I-DAC zero-point calibration for sink current. • Step11: I-10 A and I-1 A ADC full-scale calibration for sink current. • Step12: I-DAC full-scale calibration for sink current.
<voltage>	Voltage reading from the external DMM.
<resistance>	The resistance of the resistor load.

Details

This command is used to set the voltage or resistance for calibration.

NOTE

Step 6 and step 8 do not need external data entry. The instrument can collect the data for DAC calibration.

Example

```
:CAL:PROT:STAT ON, 'KI002281'      Enable the calibration mode.
:CAL:PROT:STEP1                    Start voltage DAC and ADC zero-calibration point.
:CAL:PROT:STEP1:DATA 0.2996       Enter the voltage reading from the external DMM.
```

*OPC?	Wait until step 1 finishes. When finished, this command returns 1.
:CAL:PROT:STEP2	Start voltage DAC and ADC full-scale calibration.
:CAL:PROT:STEP2:DATA 29.945	Enter the voltage reading from external DMM.
*OPC?	Wait until step 2 finishes. When finished, this command returns 1.
:CAL:PROT:STEP3	Start current ADC zero-point calibration on the 100 mA range.
:CAL:PROT:STEP3:DATA 0.00505,5.05	Enter the voltage and resistance readings from the external DMM.
*OPC?	Wait until step 3 finishes. When finished, this command returns 1.
:CAL:PROT:STEP4	Start current ADC full-scale calibration on the 100 mA range.
:CAL:PROT:STEP4:DATA 0.505,5.05	Enter the voltage and resistance readings from the external DMM.
*OPC?	Wait until step 4 finishes. When finished, this command returns 1.
:CAL:PROT:STEP5	Start current ADC zero-point calibration on the 10 A range.
:CAL:PROT:STEP5:DATA 0.00298,0.0496	Enter the voltage and resistance readings from the external DMM.
*OPC?	Wait until step 5 finishes. When finished, this command returns 1.
:CAL:PROT:STEP6	Start current DAC zero-point calibration.
:CAL:PROT:STEP6:DATA	Wait for the instrument to collect data; you do not need to enter any parameters.
*OPC?	Wait until step 6 finishes. When finished, this command returns 1.
:CAL:PROT:STEP7	Start current ADC full-scale calibration on the 10 A range.
:CAL:PROT:STEP7:DATA 0.2996,0.0496	Enter the voltage and resistance readings from the external DMM.
*OPC?	Wait until step 7 finishes. When finished, this command returns 1.
:CAL:PROT:STEP8	Start current DAC full-scale calibration.
:CAL:PROT:STEP8:DATA	Wait for the instrument to collect data; you do not need to enter any parameters.
*OPC?	Wait until step 8 finishes. When finished, this command returns 1.
CAL:PROT:SAVE	Save calibration constants to nonvolatile memory.
CAL:PROT:STATe OFF,'KI002281'	Disable the calibration mode.

Also see

:CALibration:PROTeCted[:DC[n]]:STEP<step>
[:CALibration:PROTeCted:SAVE](#) (on page 7-89)
 :CALibration:PROTeCted:STATe

:CALibration:PROTECTED:SAVE

This command saves the calibration to nonvolatile memory after the calibration procedure has been completed.

Type	Affected by	Where saved	Default value
Command only	Not applicable	Not applicable	Not applicable

Usage

```
:CALibration:PROTECTED:SAVE
```

Details

If the instrument exits the calibration mode by the following command without first saving the new constants, the previous constants are restored.

```
:CALibration:STATE OFF
```

Example

```
:CAL:PROT:SAVE Save calibration constants to memory.
```

Also see

None

:CALibration:PROTECTED:STATE

This command enables or disables calibration procedures when performing these procedures over the remote interface.

Type	Affected by	Where saved	Default value
Command and query	Instrument reset Power cycle	Not saved	0 (OFF)

Usage

```
:CALibration:PROTECTED:STATE <state>, <password>
:CALibration:PROTECTED:STATE?
```

<state>	Enable the calibration mode: ON or 1 Disable the calibration mode: OFF or 0
<password>	The password for calibration: <ul style="list-style-type: none"> The maximum length is 8 characters Not case sensitive

Details

Use this command to enable the calibration mode. After enabled, you can configure and control calibration operations. If the calibration mode is disabled, the commands related to calibration are ignored.

When using this command, you are required to provide the calibration password. You could set a new password by the command:

```
:CALibration:PROTECTED:CODE
```

NOTE

During the calibration process, changing the calibration mode from 1 (ON) to 0 (OFF) could cause the instrument to lose the calibration data if you have not saved them with the :CALibration:PROTECTED:SAVE command.

Example

```
:CAL:PROT:STAT ON, 'KI002281' Enable the calibration procedures.
```

Also see

None

Digital subsystem

The commands in the DIGital subsystem control the digital I/O lines.

:DIGital:LINE<n>:FUNction

This command sets the digital I/O pin to be a digital line and sets the pin to be input or output.

Type	Affected by	Where saved	Default value
Command and query	Recall settings Instrument reset Power cycle	Save settings	Line 1: AUTO Line 2: AUTO Line 3: AUTO Line 4: MINP Line 5: MINP Line 6: MINP

Usage

```
:DIGital:LINE<n>:FUNction <function>
:DIGital:LINE<n>:FUNction?
```

<n>	The digital I/O line: 1 to 6.
<function>	The pin state; see Details for values.

Details

Set <function> to one of the values shown in the following table.

Value	Description
AUTO	Automatically specify the pin state. This function only applies to line 1 to 3. <ul style="list-style-type: none"> Line 1: Trigger in. Detects falling-edge, rising-edge, or both edge triggers as input. Line 2: Meter complete output pulse. Outputs a 10 µs TTL-compatible pulse after the settling time of each measurement. Line 3: Protection output pulse. Outputs a 10 µs TTL-compatible pulse when OXP (OVP/OCP/OTP) or sense leads are reversed.
MOUTH	Outputs a high TTL-compatible pulse to the specified line
MOUTL	Outputs a low TTL-compatible pulse to the specified line
MINPut	Configures the specified line as an input

Example

```
:DIG:LINE1:FUNC MINPut          Set digital I/O line 1 as a digital input pin.
```

Also see

[Digital I/O](#) (on page 3-19)

:DIGital:LINE<n>:MANual:INPut:DATA?

This command reads the data from manual input to the digital I/O pin.

Type	Affected by	Where saved	Default value
Query only	Not applicable	Not applicable	Not applicable

Usage

```
:DIGital:LINE<n>:MANual:INPut:DATA?
```

<n>	The digital I/O line: 1 to 6.
-----	-------------------------------

Details

This command queries the manual input digital I/O line. If the line is not assigned to manual input, querying the pin gets no return and the instrument generates an error 508, "Querying manual input data of the line which is not set as Manual Input line."

Example

```
:DIG:LINE1:MAN:INP:DATA?
```

Query the data from manual input to the digital I/O pin.
Example output: 1.

Also see

[Digital I/O](#) (on page 3-19)

DISPlay subsystem

This subsystem contains commands that control the front-panel display.

:DISPlay:BRIGhtness

This command sets and queries the brightness of the front-panel display.

Type	Affected by	Where saved	Default value
Command and query	Not applicable	Nonvolatile memory	50

Usage

```
:DISPlay:BRIGhtness <brightness>
:DISPlay:BRIGhtness?
:DISPlay:BRIGhtness? DEFault
:DISPlay:BRIGhtness? MINimum
:DISPlay:BRIGhtness? MAXimum
```

<brightness>	The brightness of the display: 1 to 100 percent.
--------------	--

Details

This command determines the brightness of the front-panel display.

NOTE

Screen life is affected by how long the screen is on at full brightness. The higher the brightness setting and the longer the screen is bright, the shorter the screen life.

Example

```
:DISP:BRIG 50
```

Set the display brightness to 50%

Also see

None

:DISPlay:CLEar

This command removes user-defined text messages from the OUTPUT view screen.

Type	Affected by	Where saved	Default value
Command only	Not applicable	Not applicable	Not applicable

Usage

```
:DISPlay:CLEar [<channel>]
```

<channel>

The channel number:

- Channel 1: CH1
- Channel 2: CH2
- The default value is CH1

Details

This command clears the user-defined text message from the setting area of the screen. The instrument returns to the normal mode.

Example

```
:DISP:CLE
```

Clear the user-defined text message.

Also see

[:DISPlay:USER:TEXT:DATA](#) (on page 7-94)

:DISPlay:SCREen

This command specifies which screen is displayed on the front-panel.

Type	Affected by	Where saved	Default value
Command only	Power cycle	Not applicable	Not applicable

Usage

```
:DISPlay:SCREen <screen name>
```

<screen name>

The screen is displayed:

- Home screen: HOME
- Graph screen: GRAPh
- Data Sheet screen: DATasheet

Details

This command allows you to change the screen shown on the display.

Example

```
:DISP:SCRE DAT
```

Display the Data Sheet screen.

Also see

None

:DISPlay:USER:TEXT[:DATA]

This command defines the text that is displayed on the front-panel OUTPUT view screen.

Type	Affected by	Where saved	Default value
Command only	Power cycle	Not applicable	Not applicable

Usage

```
:DISPlay:USER:TEXT[:DATA] <string>[,<channel>]
```

<string>	String that contains the message; up to 24 characters
<channel>	The channel number: <ul style="list-style-type: none"> • Channel 1: CH1 • Channel 2: CH2 The default value is CH1

Details

These commands define text messages for the OUTPUT view screen.

If you enter too many characters, the instrument displays an error, -223, "too much data."

When you send this command, text must be enclosed in either single quotes (' '), or double quotes("").

NOTE

A user-defined text message remains displayed only when the instrument is in remote operation. Taking the instrument out of remote operation cancels the message.

Example

```
:DISP:USER:TEXT "Test running"
```

Display the text, "Test running" in the setting area of the screen.

Also see

None

INITiate subsystem

The commands in the INITiate subsystem control the trigger model.

:INITiate[n]:CONTinuous

This command enables and disables continuous triggering.

Type	Affected by	Where saved	Default value
Command and query	Recall settings Instrument reset Power cycle	Save settings	1 (ON)

Usage

```
:INITiate[n]:CONTinuous <state>
:INITiate[n]:CONTinuous?
```

[n]	Channel number: For single-channel instruments, the value is 1.
<state>	Disable continuous triggering: OFF or 0 Enable continuous triggering: ON or 1

Details

With continuous initiation enabled, sending :INITiate causes error -213, "init ignored."

Example

ARM:SOUR IMM	Select IMMEDIATE Arm source.
TRIG:SOUR IMM	Select IMMEDIATE Trigger source.
INIT:CONT OFF	Disable continuous initiation.
ABORT	Abort operation. Places the instrument in idle.
ARM:COUN 1	Set arm count to 1.
TRIG:COUN 1	Set trigger count to 1.
TRIG:SAMP:COUN 100	Set Measure count to 100.
:OUTP ON	Turn on the output.
INIT	Start measurement process.

Also see

[Trigger model](#) (on page 3-27)

:INITiate[n][:IMMediate]

This command starts the trigger model.

Type	Affected by	Where saved	Default value
Command only	Not applicable	Not applicable	Not applicable

Usage

```
:INITiate[n][:IMMediate]
```

<n>	Channel number: For single-channel instruments, the value is 1.
-----	---

Also see

[Trigger model](#) (on page 3-27)

MMEMemory subsystem

The commands in the MMEMemory subsystem save or recall the setups to the external USB flash drive.

:MMEMemory:LOAD:SETup

This command recalls the specified setup from the external USB flash drive to the instrument.

Type	Affected by	Where saved	Default value
Command only	Not applicable	Not applicable	Not applicable

Usage

```
:MMEMemory:LOAD:SETup <file name>
```

<file name>	A string that contains a name for the imported setup (maximum 8 characters)
-------------	---

Detail

This command allows you to recall the specified setup in the external USB flash drive to the instrument.

NOTE

Make sure that the external USB flash drive is connected to the instrument before you send this command. An unstable connection between the USB flash drive and the instrument will cause an error 520: "No USB flash drive found".

Example

:MMEMemory:LOAD:SETup "mysetup"	Recall the setup named "mysetup" in the external USB flash drive to the instrument.
---------------------------------	---

Also see

[:MMEMemory:SAVE:SETup](#) (on page 7-96)

[*RCL](#) (on page 7-6)

[*SAV](#) (on page 7-7)

:MMEMemory:SAVE:SETup

This command exports the present setup to the external USB flash drive.

Type	Affected by	Where saved	Default value
Command only	Not applicable	Not applicable	Not applicable

Usage

```
:MMEMemory:SAVE:SETup <file name>
```

<file name>	A string that contains a name for the saved setup (maximum 8 characters)
-------------	--

Detail

This command allows you to save the present instrument setup to the external USB flash drive.

NOTE
Make sure that the external USB flash drive is connected to the instrument before you send this command. An unstable connection between the USB flash drive and the instrument will cause an error 520, "No USB flash drive found."

Example

<code>:MMEMory:SAVE:SETup "mysetup"</code>	Save the present setup to the external USB flash drive as "mysetup".
--	--

Also see

[:MMEMory:LOAD:SETup](#) (on page 7-96)

[*RCL](#) (on page 7-6)

[*SAV](#) (on page 7-7)

OUTPut subsystem

The output subsystem provides information and settings that control the source output.

:OUTPut:DELAy:FALLing

This command specifies a delay that the instrument waits before turning off the specified output.

Type	Affected by	Where saved	Default value
Command and query	Recall settings Instrument reset Power cycle	Save settings	0

Usage

```
:OUTPut:DELAy:FALLing <n>
:OUTPut:DELAy:FALLing <n>,<channel>
:OUTPut:DELAy:FALLing?
:OUTPut:DELAy:FALLing? <channel>
:OUTPut:DELAy:FALLing? DEFault
:OUTPut:DELAy:FALLing? DEFault,<channel>
:OUTPut:DELAy:FALLing? MINimum
:OUTPut:DELAy:FALLing? MINimum,<channel>
:OUTPut:DELAy:FALLing? MAXimum
:OUTPut:DELAy:FALLing? MAXimum,<channel>
```

<n>	Delay rising time: 0 to 10 s with the resolution of 0.001 s.
<channel>	The channel number: <ul style="list-style-type: none"> Channel 1: CH1 Channel 2: CH2 The default value is CH1

Details

This command sets the falling delay so that output will not turn off until the delay has elapsed. This command affects on-to-off transitions, including the operation:

```
:OUTPut:STATe ON
```

Example

```
:OUTP:DELay:FALLing 1
```

Set the falling delay time to 1 s.

Also see

[:OUTPut:DELay:RISing](#) (on page 7-98)

[:OUTPut\[:STATe\]](#) (on page 7-101)

:OUTPut:DELay:RISing

This command specifies the delay time that the instrument waits before turning on the specified output.

Type	Affected by	Where saved	Default value
Command and query	Recall settings Instrument reset Power cycle	Save settings	0

Usage

```
:OUTPut:DELay:RISing <n>
:OUTPut:DELay:RISing <n>,<channel>
:OUTPut:DELay:RISing?
:OUTPut:DELay:RISing? <channel>
:OUTPut:DELay:RISing? DEFault
:OUTPut:DELay:RISing? DEFault,<channel>
:OUTPut:DELay:RISing? MINimum
:OUTPut:DELay:RISing? MINimum,<channel>
:OUTPut:DELay:RISing? MAXimum
:OUTPut:DELay:RISing? MAXimum,<channel>
```

<n>	Delay rising time: 0 to 10 s with the resolution of 0.001 s.
<channel>	The channel number: <ul style="list-style-type: none"> Channel 1: CH1 Channel 2: CH2 The default value is CH1

Details

This command sets the rising delay so that output will not turn on until the delay has elapsed. This command affects off-to-on transitions, including the operation:

```
:OUTPut:STATe ON
```

Example

```
:OUTP:DELay:RISing 1
```

Set the rising delay time to 1 s.

Also see

- [:OUTPut:DElay:FALLing](#) (on page 7-97)
- [:OUTPut\[:STATe\]](#) (on page 7-101)

:OUTPut:DElay:STATe

This command enables and disables the delay time that the instrument waits before enabling and disabling the specified output.

Type	Affected by	Where saved	Default value
Command and query	Recall settings Instrument reset Power cycle	Save settings	0 (OFF)

Usage

```
:OUTPut:DElay:STATe <state>
:OUTPut:DElay:STATe?
```

<state>	Disable output delay: 0 or OFF Enable output delay: 1 or ON
---------	--

Details

When output delay is set to ON, the instrument waits the specified delay time before turning on and off the output. For details, refer to [Output delay](#) (on page 3-8).

Separate delays can be programmed for the off-to-on and the on-to-off transition using the following commands:

- :OUTPut:DElay:RISing
- :OUTPut:DElay:FALLing

Example

:OUTP:DEL:STAT ON	Enable the output delay
-------------------	-------------------------

Also see

- [:OUTPut:DElay:FALLing](#) (on page 7-97)
- [:OUTPut:DElay:RISing](#) (on page 7-98)

:OUTPut:PROTection:CLEar

This command clears the overvoltage, overcurrent, overtemperature, or reverse fault status.

Type	Affected by	Where saved	Default value
Command only	Not applicable	Not applicable	Not applicable

Usage

```
:OUTPut:PROTection:CLEar
:OUTPut:PROTection:CLEar <channel>
```

<channel>	The channel number: <ul style="list-style-type: none"> • Channel 1: CH1 • Channel 2: CH2 The default value is CH1
-----------	---

Details

Clears the protection status if an overvoltage, overcurrent, or overtemperature protection condition occurred or a reverse sense fault was detected. For all four faults, this command also clears the related Questionable Instrument Summary Condition Register bit.

Example

```
:OUTP:PROT:CLE
```

Clear the protection status.

Also see

[:OUTPut:PROTection:TRIPped?](#) (on page 7-100)
[Status model](#) (on page D-1)

:OUTPut:PROTection:TRIPped?

This command queries whether overvoltage, overcurrent, overtemperature, or reverse fault protection has been tripped.

Type	Affected by	Where saved	Default value
Query only	Not applicable	Not applicable	Not applicable

Usage

```
:OUTPut:PROTection:TRIPped?
```

```
<channel>
```

The channel number:

- Channel 1: CH1
- Channel 2: CH2
- The default value is CH1
- Channel 2: CH2

The default value is CH1

Details

There are six types of responses, including:

- OCP indicates over-current protection occurred.
- OVP indicates over-voltage protection occurred.
- OTP indicates over-temperature protection occurred.
- RVS indicates reverse sense fault detected.
- OPS indicates open sense error protection occurred.
- NONE indicates nothing occurred.

Example

```
:OUTP:PROT:TRIP? CH1
```

If the overvoltage protection circuit in channel 1 is tripped, the query returns `OVP`.
 If the protection circuit is not tripped, the query returns `NONE`.

Also see

None

:OUTPut[:STATe]

This command enables or disables the source output.

Type	Affected by	Where saved	Default value
Command and query	Recall settings Instrument reset Power cycle	Save settings	0 (OFF)

Usage

```
:OUTPut[:STATe] <state>
:OUTPut[:STATe] <state>,<channel>
:OUTPut[:STATe]?
```

<state>	Turn source off: 0 or OFF Turn source on: 1 or ON Disable source: 2 or DISable
<channel>	The channel number: <ul style="list-style-type: none"> Channel 1: CH1 Channel 2: CH2 The default value is CH1

Details

Measurements cannot be made while the source is off.

Example

```
:OUTP ON Switch the source output of the instrument to ON.
```

Also see

None

SENSe subsystem

The SENSe subsystem commands configure and control the measurement functions of the 2281S-20-6.

Many of these commands are set for a specific function (concurrent, current, or voltage). For example, you can program a range setting for each function. The settings are saved with that function.

:SENSe[n]:FUNCTion

This command selects which type of measurement is active: Concurrent, current, or voltage.

Type	Affected by	Where saved	Default value
Command and query	Recall settings Instrument reset Power cycle	Save settings	"CONC"

Usage

```
:SENSe[n]:FUNctIon <name>
:SENSe[n]:FUNctIon?
```

[n]	Channel number: For single-channel instruments, the value is 1.
<name>	A string that contains the measurement function to make active: <ul style="list-style-type: none"> • Concurrent: "CONCurent[:DC]" • Current: "CURRent[:DC]" • Voltage: "VOLTag[:DC]" For details, see Select a measurement function (on page 2-80).

Details

Set this command to the type of measurement you want to make.

Reading this command returns the measure function that is presently active.

Examples

```
:SENS:FUNC "VOLT"
```

Make the voltage measurement function the active function.

Also see

None

:SENSe[n]:<function>:AVERage:COUNT

This command Sets the number of measurements that are averaged when filtering is enabled for the specified function.

Type	Affected by	Where saved	Default value
Command and query	Recall settings Instrument reset Power cycle	Save settings	10

Usage

```
:SENSe[n]:<function>:AVERage:COUNT <value>
:SENSe[n]:<function>:AVERage:COUNT?
:SENSe[n]:<function>:AVERage:COUNT? DEFault
:SENSe[n]:<function>:AVERage:COUNT? MINimum
:SENSe[n]:<function>:AVERage:COUNT? MAXimum
```

[n]	Channel number: For single-channel instruments, the value is 1.
<function>	The measurement function to which this setting applies: <ul style="list-style-type: none"> • Concurrent: CONCurent[:DC] • Current: CURRent[:DC] • Voltage: VOLTag[:DC]
<value>	The number of readings required for each filtered measurement (2 to 100)

Details

The filter count is the number of readings that are acquired and stored in the filter stack for the averaging calculation. When the filter count is larger, more filtering is done and the data is less noisy.

Example

SENS:CONC:AVER:WIND 0.1	Set the average filter window as 0.1%.
-------------------------	--

Also see

- [:SENSe\[n\]:<function>:AVERage\[:STATe\]](#) (on page 7-103)
- [:SENSe\[n\]:<function>:AVERage:TCONtrol](#) (on page 7-104)
- [:SENSe:<function>:AVERage:WINDow](#) (on page 7-105)

:SENSe[n]:<function>:AVERage[:STATe]

This command enables or disables the averaging filter for measurements of the selected function.

Type	Affected by	Where saved	Default value
Command and query	Recall settings Instrument reset Power cycle	Save settings	1 (ON)

Usage

```
:SENSe[n]:<function>:AVERage[:STATe] <state>
:SENSe[n]:<function>:AVERage[:STATe]?
```

[n]	Channel number: For single-channel instruments, the value is 1.
<function>	The measurement function to which this setting applies: <ul style="list-style-type: none"> • Concurrent: CONCurrent[:DC] • Current: CURRent[:DC] • Voltage: VOLTage[:DC]
<state>	The filter status; set to one of the following values: <ul style="list-style-type: none"> • Disable the averaging filter: 0 or OFF • Enable the averaging filter: 1 or ON

Details

This command enables or disables the averaging filter. When this is enabled, the reading returned by the instrument is an averaged value, taken from multiple measurements. The settings of the filter count and filter type for the selected measure function determines how the reading is averaged.

Example

SENS:CONC:AVER:WIND 0.1	Set the average filter window as 0.1%.
-------------------------	--

Also see

- [:SENSe\[n\]:<function>:AVERage:COUNt](#) (on page 7-102)
- [:SENSe\[n\]:<function>:AVERage:TCONtrol](#) (on page 7-104)
- [:SENSe:<function>:AVERage:WINDow](#) (on page 7-105)

:SENSe[n]:<function>:AVERage:TCONtrol

This command sets the type of averaging filter that is used for measurements for the selected function when the measurement filter is enabled.

Type	Affected by	Where saved	Default value
Command and query	Recall settings Instrument reset Power cycle	Save settings	MOV

Usage

```
:SENSe[n]:<function>:AVERage:TCONtrol <type>
:SENSe[n]:<function>:AVERage:TCONtrol?
```

[n]	Channel number: For single-channel instruments, the value is 1.
<function>	The measurement function to which this setting applies: <ul style="list-style-type: none"> • Concurrent: CONCurrent[:DC] • Current: CURRent[:DC] • Voltage: VOLTage[:DC]
<type>	The filter type to use when filtering is enabled; set to one of the following values: <ul style="list-style-type: none"> • Moving filter: MOVing

Details

This command selects the type of averaging filter: Moving average.

When the moving average filter is selected, the measurements are added to the stack continuously on a first-in, first-out basis. As each measurement is made, the oldest measurement is removed from the stack. A new averaged sample is produced using the new measurement and the data that is now in the stack.

NOTE

When the moving average filter is first selected, the stack is empty. When the first measurement is made, it is copied into all the stack locations to fill the stack. A true average is not produced until the stack is filled with new measurements. The size of the stack is determined by the filter count setting.

Example

```
SENS:CONC:AVER:WIND 0.1
```

Set the average filter window as 0.1%.

Also see

[:SENSe\[n\]:<function>:AVERage:COUNt](#) (on page 7-102)
[:SENSe\[n\]:<function>:AVERage:STATe](#) (on page 7-103)
[:SENSe:<function>:AVERage:WINDow](#) (on page 7-105)

:SENSe[n]:<function>:AVERage:WINDow

This command specifies a filter window to control filter threshold.

Type	Affected by	Where saved	Default value
Command and query	Recall settings Instrument reset Power cycle	Save settings	1

Usage

```
:SENSe[n]:<function>:AVERage:WINDow <value>
:SENSe[n]:<function>:AVERage:WINDow?
:SENSe[n]:<function>:AVERage:WINDow? DEFault
:SENSe[n]:<function>:AVERage:WINDow? MAXimum
:SENSe[n]:<function>:AVERage:WINDow? MINimum
```

<n>	Channel number: For single-channel instruments, the value is 1
<function>	The measurement function to which this setting applies: <ul style="list-style-type: none"> • Concurrent: CONCurrent[:DC] • Current: CURRent[:DC] • Voltage: VOLTage[:DC]
<value>	The filter window: 0.01 to 100. This value is expressed in terms of a percentage. There are five acceptable window percentages: 0.01, 0.1, 1, 10, and 100.

Details

The <value> parameter can be set to any value from 0.01 to 100. The instrument rounds up the value to the nearest window value. For example, the filter window is set to 1 if you send the following command:

```
SENS:CONC:AVER:WIND 0.5
```

Example

SENS:CONC:AVER:WIND 0.1	Set the average filter window as 0.1%.
-------------------------	--

Also see

[:SENSe\[n\]:<function>:AVERage:COUNT](#) (on page 7-102)
[:SENSe\[n\]:<function>:AVERage:STATe](#) (on page 7-103)
[:SENSe\[n\]:<function>:AVERage:TCONtrol](#) (on page 7-104)

:SENSe[n]:<function>:DIGits

This command determines the number of digits that are displayed for measurements on the front panel.

Type	Affected by	Where saved	Default value
Command and query	Recall settings Instrument reset Power cycle	Save settings	6

Usage

```
:SENSe[n]:<function>:DIGits <value>
:SENSe[n]:<function>:DIGits?
:SENSe[n]:<function>:DIGits? DEFault
:SENSe[n]:<function>:DIGits? MINimum
:SENSe[n]:<function>:DIGits? MAXimum
```

[n]	Channel number: For single-channel instruments, the value is 1.
<function>	The measurement function to which this setting applies: <ul style="list-style-type: none"> • Concurrent: CONCurrent[:DC] • Current: CURRent[:DC] • Voltage: VOLTage[:DC]
<value>	4.5 digit resolution: 4 5.5 digit resolution: 5 6.5 digit resolution: 6

Details

This command affects how the reading for a measurement is displayed on the front panel of the instrument. It does not affect the number of digits returned in a remote command reading. It also does not affect the accuracy or speed of measurements.

The display digits setting is saved with the function setting, so if you use another function, then return to the function for which you set display digits, the display digits setting you set previously is retained.

The change in digits occurs the next time a measurement is made.

Example

```
:SENS:CURR:DIG 5
```

Set the front panel to display current measurements with 5½ digits.

Also see

[:SENSe\[n\]:<function>:RESolution](#) (on page 7-113)

:SENSe[n]:<function>:NPLCycles

This command sets the time that the input signal is measured for measurements of the selected function.

Type	Affected by	Where saved	Default value
Command and query	Recall settings Instrument reset Power cycle	Save settings	1

Usage

```
:SENSe[n]:<function>:NPLCycles <value>
:SENSe[n]:<function>:NPLCycles?
:SENSe[n]:<function>:NPLCycles? DEFault
:SENSe[n]:<function>:NPLCycles? MINimum
:SENSe[n]:<function>:NPLCycles? MAXimum
```

[n]	Channel number: For single-channel instruments, the value is 1.
<function>	The measurement function to which this setting applies: <ul style="list-style-type: none"> • Concurrent: CONCurrent[:DC] • Current: CURRent[:DC] • Voltage: VOLTage[:DC]
<value>	The number of power-line cycles for each measurement: 0.002 to 12 for 50 Hz; 0.002 to 15 for 60 Hz

Details

This command sets the amount of time that the input signal is measured.

The amount of time is specified in parameters that are based on the number of power line cycles (NPLCs). Each PLC for 60 Hz is 16.67 ms (1/60) and each PLC for 50 Hz is 20 ms (1/50).

This command is set for the measurement of specific functions (concurrent, current or voltage).

The shortest amount of time (0.002 PLC) results in the fastest reading rate, but increases reading noise and decrease the number of usable digits.

The longest amount of time (15 PLC) provides the lowest reading noise and more readable digits, but has the slowest reading rate.

Settings between the fastest and slowest number of PLCs are a compromise between speed and noise.

Example 1

:SENS:CURR:NPLC 0.5	Sets the measurement time for current measurements to 0.0083 (0.5/60) seconds.
---------------------	--

Also see

[Optimizing either measurement accuracy or speed](#) (on page 4-1)

:SENSe[n]:<function>:RANGe

This command sets the measurement range for measurements of the selected function.

Type	Affected by	Where saved	Default value
Command and query	Recall settings Instrument reset Power cycle	Save settings	Concurrent: 10 mA Current: 10 mA Voltage: 21 V

Usage

```
:SENSe[n]:CONCurren[t[:DC]:RANGe <range>
:SENSe[n]:CONCurren[t[:DC]:RANGe?
:SENSe[n]:CONCurren[t[:DC]:RANGe? DEFault
:SENSe[n]:CONCurren[t[:DC]:RANGe? MINimum
:SENSe[n]:CONCurren[t[:DC]:RANGe? MAXimum
:SENSe[n]:CURRent[:DC]:RANGe <range>
:SENSe[n]:CURRent[:DC]:RANGe?
:SENSe[n]:CURRent[:DC]:RANGe? DEFault
:SENSe[n]:CURRent[:DC]:RANGe? MINimum
:SENSe[n]:CURRent[:DC]:RANGe? MAXimum
:SENSe[n]:VOLTage[:DC]:RANGe <range>
:SENSe[n]:VOLTage[:DC]:RANGe?
```

[n]	Channel number: For single-channel instruments, the value is 1.
<range>	Set this command to a specific value or a preset value. See Details .

Details

This command is primarily intended to eliminate the time that is required by the instrument to select an automatic range.

The options for <range> are described in the following table.

Measurement function	Measure ranges
Concurrent	0.01 A, 0.1 A, 1 A, and 10 A
Current	0.01 A, 0.1 A, 1 A, and 10 A
Voltage	21 V

NOTE

When you select a fixed range, an overrange condition can occur.

When you set a value for the measurement range, the measurement autorange setting is automatically disabled for the measurement function.

When you read this setting, you see the measurement range that the instrument is presently using. If you change the range while the output is off, the instrument does not update the hardware settings, but if you read the range setting, the return is the setting that will be used when the output is turned on. If you set a range while the output is on, the new setting takes effect immediately. When you assign a specific value to this command, the instrument is set on a fixed range that is large enough to measure the assigned value. The instrument selects the best range for measuring a value of <range>.

For example, for current measurements, if you expect a reading of approximately 50 mA, set <range> to 0.05 (or 50e-3) to select the 100 mA range.

NOTE

For concurrent measurements, range only applies to current measurement. For voltage measurement, there is only one range.

Example

:SENS:CURR:RANG 0.01	Select the 10 mA range.
:SENS:CONC:RANG 1	Select the 1 A range.
:SENS:VOLT:RANG 32	Select the 32V range.

Also see

[:SENSe\[n\]:<function>:RANGe:AUTO](#) (on page 7-109)

:SENSe[n]:<function>:RANGe:AUTO

This command determines if the range for measurements of the selected function is selected manually or automatically.

Type	Affected by	Where saved	Default value
Command and query	Recall settings Instrument reset Power cycle	Saved setup	1 (ON)

Usage

```
:SENSe[n]:<function>:RANGe:AUTO <state>
:SENSe[n]:<function>:RANGe:AUTO?
```

[n]	Channel number: For single-channel instruments, the value is 1.
<function>	The measurement function to which this setting applies: <ul style="list-style-type: none"> • Concurrent: CONCurrent[:DC] • Current: CURRent[:DC]
<state>	Set the measurement range manually: 0 or OFF Set the measurement range automatically: 1 or ON

Details

This command determines how the range is selected.

When this command is set to off, you must set the range. If you do not set the range, the instrument remains at the range that was selected by autorange.

When this command is set to on, the instrument automatically goes to the most sensitive range to perform the measurement.

If a range is manually selected through the front panel or a remote command, this command is automatically set to off.

Example

<code>:SENS:CURR:RANG:AUTO ON</code>	Set the range to be selected automatically for current measurements.
--------------------------------------	--

Also see

`:SENSE[n]:<function>:RANGe`

:SENSE[n]:<function>:REFerence

This command specifies the relative offset value for the measurement.

Type	Affected by	Where saved	Default value
Command and query	Recall settings Instrument reset Power cycle	Save settings	0.0

Usage

- `:SENSE:CONCurrent:REFerence <ref>`
- `:SENSE:CURRent:REFerence <ref>`
- `:SENSE:VOLTage:REFerence <ref>`
- `:SENSE:CONCurrent:REFerence?`
- `:SENSE:CURRent:REFerence?`
- `:SENSE:VOLTage:REFerence?`

<code><ref></code>	The relative offset value: <ul style="list-style-type: none"> • Concurrent and current: -6.1 to 6.1 A • Voltage: -20 to 20 V
--------------------------	--

Details

This command specifies the relative offset value that can be applied to new measurements. When relative offset is enabled, all subsequent measured readings are offset by the value that is set for this command.

You can set this value, or have the instrument acquire a value. If the instrument acquires the value, read this setting to return the value that was measured internally.

NOTE
For concurrent measurements, the offset value is applied only to current measurements.

Example

```
SENS:CONC:REF 1
```

Set the relative offset for current measurements to 1.

Also see

- [:SENSe\[n\]:<function>:REFerence:ACQuire](#) (on page 7-111)
- [:SENSe\[n\]:<function>:REFerence:STATe](#) (on page 7-112)

:SENSe[n]:<function>:REFerence:ACQuire

This command acquires a measurement and stores it as the relative offset value.

Type	Affected by	Where saved	Default value
Command only	Not applicable	Not applicable	Not applicable

Usage

```
:SENSe[n]:<function>:REFerence:ACQuire
```

[n]	Channel number: For single-channel instruments, the value is 1.
<function>	The measurement function to which this setting applies: <ul style="list-style-type: none"> Concurrent: CONCurrent[:DC] Current: CURRent[:DC] Voltage: VOLTage[:DC]

Details

This command triggers the 2281S-20-6 to make a new measurement for the selected function. This measurement is then stored as the new relative offset level setting.

When you send this command, the measurement is made without applying any filter operations, even if they are set. It is as if these settings are disabled.

After executing this command, you can use the following command to see the last relative level value that was acquired or that was set.

```
:SENSe[n]:<function>:REFerence?
```

If an error occurs during the measurement, the relative offset level remains at the last valid setting.

NOTE

This command only works if the instrument is on the specified function. For example, if the instrument is on the voltage function, the only valid acquire command is `SENS:VOLT:REF:ACQ`. Also, if the acquired measurement has caused an overflow condition or the instrument is waiting for the trigger to start measurements, you will see error -200, "Execution error" when you send this command.

Example

```
:SENS:FUNC "VOLT"
:SENS:VOLT:REF:STAT ON
:SENS:VOLT:REF:ACQ
:SENS:VOLT:REF?
```

Switch to voltage measurements.
Turn relative offset on.
Acquire a relative offset value for voltage measurements.
Query for the offset value.

Also see

[:SENSe\[n\]:<function>:REFerence](#)
[:SENSe\[n\]:<function>:REFerence:STATe](#) (on page 7-112)

:SENSe[n]:<function>:REFerence:STATe

This command enables or disables a relative offset value.

Type	Affected by	Where saved	Default value
Command and query	Recall settings Instrument reset Power cycle	Save settings	0 (OFF)

Usage

```
:SENSe[n]:<function>:REFerence:STATe <state>
:SENSe[n]:<function>:REFerence:STATe?
```

[n]	Channel number: For single-channel instruments, the value is 1.
<function>	The measurement function to which this setting applies: <ul style="list-style-type: none"> • Concurrent: CONCurrent[:DC] • Current: CURRent[:DC] • Voltage: VOLTage[:DC]
<state>	Disable the relative offset: 0 or OFF Enable the relative offset: 1 or ON

Details

This attribute enables or disables relative measurements. When relative measurements are enabled, all subsequent measured readings are offset by the relative offset value calculated when you acquire the relative offset value.

Each returned measured relative reading is the result of the following calculation:

Displayed reading = Actual measured reading - Relative offset value

NOTE

For concurrent measurements, the offset value is applied only to current measurements.

Example

```
:SENSe:FUNC "VOLT"
:SENSe:VOLT:REF:ACQuire
:SENSe:VOLT:REF:STATe ON
```

Set the measurement function to voltage with a relative offset of 5 V and enable the relative offset function.

Also see

[:SENSe\[n\]:<function>:REFerence:ACQuire](#) (on page 7-111)

:SENSe[n]:<function>:RESolution

This command sets the measurement resolution for the selected measurement function.

Type	Affected by	Where saved	Default value
Command only	Recall settings Instrument reset Power cycle	Save settings	6

Usage

```
:SENSe[n]:<function>:RESolution <value>
```

[n]	Channel number: For single-channel instruments, the value is 1.
<function>	The measurement function to which this setting applies: <ul style="list-style-type: none"> Concurrent: CONCurrent[:DC] Current: CURRent[:DC] Voltage: VOLTage[:DC]
<value>	4.5 digit resolution: 4 5.5 digit resolution: 5 6.5 digit resolution: 6

Details

This command affects how the reading for a measurement is displayed on the front panel of the instrument. It also affects the accuracy or speed of measurements.

When a resolution is selected, the number of power line cycles (NPLCs), autozero, digit, source delay and filter are automatically set to the value described in the following table.

Resolution	NPLC	Autozero	Source delay	Digits	Average filter
4.5 digits resolution	0.01	OFF	<ul style="list-style-type: none"> 0 s State:Off 	4.5 digits display resolution	<ul style="list-style-type: none"> Filter count:10 Filter window: 0.01% Filter state: On
5.5 digits resolution	0.1	OFF	<ul style="list-style-type: none"> 0.001 s State:On 	5.5 digits display resolution	<ul style="list-style-type: none"> Filter count:10 Filter window: 0.01% Filter state: Off
6.5 digits resolution	1	ON	<ul style="list-style-type: none"> 0.001 s State:On 	6.5 digits display resolution	<ul style="list-style-type: none"> Filter count:10 Filter window: 0.01% Filter state: Off

Example

```
:SENS:CURR:RES 5
```

Set the 5½ digit measurement resolution

Also see

[:SENSe\[n\]:<function>:DIGits](#) (on page 7-106)

SOURce subsystem

The commands in the SOURce subsystem configure and control the current source and voltage source.

[:SOURce[n]]:DElay

This command sets the source delay.

Type	Affected by	Where saved	Default value
Command and query	Recall settings Instrument reset Power cycle	Save settings	0.001

Usage

```
[:SOURce[n]]:DElay <value>
```

```
[:SOURce[n]]:DElay?
```

[n]	Channel number: For single-channel instruments, the value is 1.
<value>	The delay in seconds: 0 to 99 s. The resolution is 0.00001 s.

Details

This command sets a delay for the source. After the programmed source is turned on, this delay allows the source level to settle before a measurement is taken. For details, refer to [Source delay](#) (on page 3-9).

NOTE

This delay is the same for both the current and voltage source. Delay time must be either zero or a positive value. If you attempt to set it to a negative value, an error -222, "Data out of range" is generated.

Example

```
:DElay 0.05
```

Set the delay for the output source to 50 ms.

Also see

None

[:SOURce[n]]:DElay:STATE

This command enables or disables the delay that occurs when the source is turned on.

Type	Affected by	Where saved	Default value
Command and query	Recall settings Instrument reset Power cycle	Save settings	1 (ON)

Usage

```
[:SOURce[n]]:DElay:STATE <state>
```

```
[:SOURce[n]]:DElay:STATE?
```

<n>	Channel number: For single-channel instruments, the value is 1.
<state>	Disable the source delay: OFF or 0 Enable the source delay: ON or 1

Details

This command is used to enable or disable source delay. When enabled, the instrument will delay for a period that is set by the command:

```
[ :SOURce [n] ] :DELay
```

Example

:DEL:STAT ON :DEL:STAT?	Turn on source delay and query the state. The output is: 1.
----------------------------	---

Also see

[\[:SOURce\[n\]\]:DELay](#) (on page 7-114)

[:SOURce[n]]:<function>:PROTection[:LEVel]

This command sets the overvoltage protection setting of the source output.

Type	Affected by	Where saved	Default value
Command and query	Recall settings Instrument reset Power cycle	Save settings	Voltage: 21 V Current: 6.1 A

Usage

```
[ :SOURce [n] ] :VOLTage:PROTection[:LEVel] <value>
[ :SOURce [n] ] :VOLTage:PROTection[:LEVel]?
[ :SOURce [n] ] :VOLTage:PROTection[:LEVel]? DEFault
[ :SOURce [n] ] :VOLTage:PROTection[:LEVel]? MINimum
[ :SOURce [n] ] :VOLTage:PROTection[:LEVel]? MAXimum
[ :SOURce [n] ] :CURRent:PROTection[:LEVel] <value>
[ :SOURce [n] ] :CURRent:PROTection[:LEVel]?
[ :SOURce [n] ] :CURRent:PROTection[:LEVel]? DEFault
[ :SOURce [n] ] :CURRent:PROTection[:LEVel]? MINimum
[ :SOURce [n] ] :CURRent:PROTection[:LEVel]? MAXimum
```

[n]	Channel number: For single-channel instruments, the value is 1.
<value>	The overvoltage or overcurrent protection level: <ul style="list-style-type: none"> Voltage: 0.5 V to 21 V Current: 0.1 A to 6.1 A

Details

Overvoltage protection restricts the maximum voltage level that the instrument can source. Overcurrent protection restricts the maximum current level that the instrument can source. This protection is in effect only for positive output voltages or currents.

When this attribute is used in a test sequence, it should be set before the turning the source on.

Example

:VOLT:PROT 20 :VOLT:PROT?	Set the voltage source protection to 30 V and query the value. Output: 20
------------------------------	--

Also see

None

[[:SOURce[n]]:<function>[:LEVel][:IMMediate][:AMPLitude]

This command sets the source amplitude for voltage or current.

Type	Affected by	Where saved	Default value
Command and query	Recall settings Instrument reset Power cycle	Save settings	Voltage: 0 V Current: 0.1 A

Usage

```
[[:SOURce[n]]:VOLTage[:LEVel][:IMMediate][:AMPLitude] <value>
[:SOURce[n]]:VOLTage[:LEVel][:IMMediate][:AMPLitude]?
[:SOURce[n]]:VOLTage[:LEVel][:IMMediate][:AMPLitude]? DEFault
[:SOURce[n]]:VOLTage[:LEVel][:IMMediate][:AMPLitude]? MINimum
[:SOURce[n]]:VOLTage[:LEVel][:IMMediate][:AMPLitude]? MAXimum
[:SOURce[n]]:CURRent[:LEVel][:IMMediate][:AMPLitude] <value>
[:SOURce[n]]:CURRent[:LEVel][:IMMediate][:AMPLitude]?
[:SOURce[n]]:CURRent[:LEVel][:IMMediate][:AMPLitude]? DEFault
[:SOURce[n]]:CURRent[:LEVel][:IMMediate][:AMPLitude]? MINimum
[:SOURce[n]]:CURRent[:LEVel][:IMMediate][:AMPLitude]? MAXimum
```

[n]	Channel number: For single-channel instruments, the value is 1.
<value>	The source amplitude: <ul style="list-style-type: none"> Voltage: 0 to 20 V Current: 0.1 to 6.1 A

Details

This command sets the output level of the voltage or current source. If the output is on, the new level is sourced immediately.

NOTE

Sending the :VOLT? MAX command returns 20 V.

Example

:VOLT 20 :CURR 1.2	Set the voltage source to 20 V and limit the current to 1.2 A.
-----------------------	--

Also see

[[:SOURce[n]]:VOLTage:LIMit[:AMPLitude]

[:SOURce[n]] :VOLTage:LIMit[:AMPLitude]

This command selects the limit of voltage source.

Type	Affected by	Where saved	Default value
Command and query	Recall settings Instrument reset Power cycle	Save settings	20 V

Usage

```
[ :SOURce[n] ] :VOLTage:LIMit[:AMPLitude] <value>
[ :SOURce[n] ] :VOLTage:LIMit[:AMPLitude]?
[ :SOURce[n] ] :VOLTage:LIMit[:AMPLitude]? DEFault
[ :SOURce[n] ] :VOLTage:LIMit[:AMPLitude]? MINimum
[ :SOURce[n] ] :VOLTage:LIMit[:AMPLitude]? MAXimum
```

[n]	Channel number: For single-channel instruments, the value is 1.
<value>	0 to 20 V

Details

This command sets the voltage limit. The 2281S-20-6 cannot source voltage levels that exceed this limit. When you change the voltage limit to a value that is smaller than the set value of voltage, the voltage setting will be forced to voltage limit.

Example

:VOLT:LIM 15	Set the voltage limit to 15 V
--------------	-------------------------------

Also see

[:SOURce[n]] :<function>[:LEVel][:IMMediate][:AMPLitude]

[:SOURce[n]] :VOLTage:SLEW:RISing

This command specifies and queries the rising rate for the voltage source.

Type	Affected by	Where saved	Default value
Command and query	Recall settings Instrument reset Power cycle	Save settings	100

Usage

```
[ :SOURce[n] ] :VOLTage:SLEW:RISing <value>
[ :SOURce[n] ] :VOLTage:SLEW:RISing?
[ :SOURce[n] ] :VOLTage:SLEW:RISing? DEFault
[ :SOURce[n] ] :VOLTage:SLEW:RISing? MINimum
[ :SOURce[n] ] :VOLTage:SLEW:RISing? MAXimum
```

[n]	Channel number: For single-channel instruments, the value is 1.
<value>	The voltage rising rate: 10 V per second to 1000 V per second.

Details

Slew rate is defined as the maximum rate of change of output voltage per unit of time. The slew rising rate is applied to any voltage increase.

NOTE
When you turn on the output, the voltage rises at the specified rate.

Example

<code>:VOLT:SLEW:RIS 20</code>	Set the voltage rising rate to 20 V per second.
--------------------------------	---

Also see

[\[:SOURce\[n\]\]:VOLTage:SLEW:FALLing](#) (on page 7-118)

[:SOURce[n]]:VOLTage:SLEW:FALLing

This command specifies and queries the falling rate for the voltage source.

Type	Affected by	Where saved	Default value
Command and query	Recall settings Instrument reset Power cycle	Save settings	100

Usage

```
[:SOURce[n]]:VOLTage:SLEW:FALLing <value>
[:SOURce[n]]:VOLTage:SLEW:FALLing?
[:SOURce[n]]:VOLTage:SLEW:FALLing? DEFault
[:SOURce[n]]:VOLTage:SLEW:FALLing? MINimum
[:SOURce[n]]:VOLTage:SLEW:FALLing? MAXimum
```

[n]	Channel number: For single-channel instruments, the value is 1.
<value>	The voltage falling rate: 10 V per second to 1000 V per second.

Details

Slew rate is defined as the maximum rate of change of output voltage per unit of time. The falling rate is applied to any voltage decrease.

NOTE
When you turn off the output, the voltage drops at the specified rate.

Example

<code>:VOLT:SLEW:FALL 90.5</code>	Set the voltage falling rate to 90.5 V per second.
-----------------------------------	--

Also see

[\[:SOURce\[n\]\]:VOLTage:SLEW:RISing](#) (on page 7-117)

[[:SOURce[n]]:LIST<list number>:<element>

This command allows you to set up and query a list of custom values for a specified list.

Type	Affected by	Where saved	Default value
Command only	Instrument reset	Nonvolatile memory	Not applicable

Usage

```
[[:SOURce[n]]:LIST<list number>:<element> <string>
[:SOURce[n]]:LIST<list number>:<element>?
```

[n]	Channel number: For single-channel instruments, the value is 1.
<list number>	The list number: 1 to 9.
<element>	The elements that each list step contains: <ul style="list-style-type: none"> • Current source value: CURRent • Voltage source value: VOLTage • The dwell time of each list step: DWELL
<string>	The setting values delimited by commas. The maximum length of a string is 2048.

Details

This command defines a list of up to 99 values for a specified list. Creating a list with more than 99 step points results in error 201, "Too many list points."

When you specify the values for a list, you should keep the value order in the string identical with the sequence that the list executes.

To add source values to an existing list, use the following command:

```
[[:SOURce[n]]:LIST<list number>:<element>:APPEND
```

NOTE

All of the values specified by this command are temporary until they are saved by sending the `[:SOURce[n]] :LIST:SAVE:INTErnal` command.

To create a valid list, the number of points for voltage, current, and dwell must be the same. If they are not the same, when you save the list by sending the `[:SOURce[n]] :LIST:SAVE:INTErnal` command, the instrument will generate error 202, "List lengths not equivalent."

Example

<pre>:LIST1:CURR "1,1,1" :LIST1:VOLT "5,10,15" :LIST1:DWEL "2,2,2" :LIST1:CURR:APPE "2,2,2" :LIST1:VOLT:APPE "5,10,15" :LIST1:DWEL:APPE "3,3,3" :LIST:SAVE:INTE 1 :LIST1:CURR?</pre>	<p>Set up list 1 with the following 6 points:</p> <p>Point 1: 1 A, 5 V, 2 s</p> <p>Point 2: 1 A, 10 V, 2 s</p> <p>Point 3: 1 A, 15 V, 2 s</p> <p>Point 4: 2 A, 5 V, 3 s</p> <p>Point 5: 2 A, 10 V, 3 s</p> <p>Point 6: 2 A, 15 V, 3 s</p> <p>Query the current settings of list 1. Output:</p> <pre>1.0000,1.0000,1.0000,2.0000,2.0000,2.0000</pre>
--	---

Also see

[\[:SOURce\[n\]\]:LIST<list number>:<element>:APPEnd](#) (on page 7-120)

[\[:SOURce\[n\]\]:LIST:SAVE:INTErnal](#) (on page 7-129)

[:SOURce[n]]:LIST<list number>:<element>:APPEnd

This command adds values to the specified list.

Type	Affected by	Where saved	Default value
Command only	Instrument reset	Nonvolatile memory	Not applicable

Usage

`[:SOURce[n]] :LIST<list number>:<element>:APPEnd <string>`

<code>[n]</code>	Channel number: For single-channel instruments, the value is 1.
<code><list number></code>	The list number: 1 to 9.
<code><element></code>	The elements that each list step contains: <ul style="list-style-type: none"> Current source value: <code>CURRent</code> Voltage source value: <code>VOLTage</code> The dwell time of each list step: <code>DWEL1</code>. Range: 0 to 60 s.
<code><string></code>	The setting values delimited by commas. The maximum length of a string is 2048.

Details

This command allows you to add values to the specified list. The new values are added to the end of the existing values. You can have a total of 99 values in a list.

NOTE	
To create a valid list, the number of points for voltage, current, and dwell must be the same. If they are not the same, when you save the list by sending the <code>[:SOURce[n]]:LIST:SAVE:INTERnal</code> command, the instrument will generate error 202, "List lengths not equivalent."	

Example

<pre> :LIST1:CURR "1,1,1" :LIST1:VOLT "5,10,15" :LIST1:DWEL "2,2,2" :LIST1:CURR:APPE "2,2,2" :LIST1:VOLT:APPE "5,10,15" :LIST1:DWEL:APPE "3,3,3" :LIST:SAVE:INTE 1 :LIST1:CURR? </pre>	Set up list 1 with the following 6 points: Point 1: 1 A, 5 V, 2 s Point 2: 1 A, 10 V, 2 s Point 3: 1 A, 15 V, 2 s Point 4: 2 A, 5 V, 3 s Point 5: 2 A, 10 V, 3 s Point 6: 2 A, 15 V, 3 s Query the current settings of list 1. Output: 1.0000,1.0000,1.0000,2.0000,2.0000,2.0000
--	--

Also see

- [\[:SOURce\[n\]\]:LIST<list number>:<element>](#) (on page 7-119)
- [\[:SOURce\[n\]\]:LIST:SAVE:INTERnal](#) (on page 7-129)

[:SOURce[n]]:LIST<list number>:<element>:POINTs?

This command queries the length of the specified list.

Type	Affected by	Where saved	Default value
Query only	Instrument reset	Not applicable	Not applicable

Usage

```

[:SOURce[n]]:LIST<list number>:CURRENT:POINTs?
[:SOURce[n]]:LIST<list number>:VOLTage:POINTs?
[:SOURce[n]]:LIST<list number>:DWELl:POINTs?
    
```

[n]	Channel number: For single-channel instruments, the value is 1.
<list number>	The list number: 1 to 9.

Details

This command returns the length of the specified list. The response message indicates the number of points in the list.

Example

<pre> :LIST1:VOLT:POIN? </pre>	Check the number of points in the list. Output: 6
--	---

Also see

- [\[:SOURce\[n\]\]:LIST<list number>:<element>](#) (on page 7-119)
- [\[:SOURce\[n\]\]:LIST<list number>:<element>:APPEnd](#) (on page 7-120)

[:SOURce[n]] :LIST:END:ZERO

This command specifies the source values when the instrument is stopping a list.

Type	Affected by	Where saved	Default value
Command and query	Recall settings Instrument reset Power cycle	Save settings	0 (OFF)

Usage

```
[ :SOURce[n] ] :LIST:END:ZERO <value>
```

```
[ :SOURce[n] ] :LIST:END:ZERO?
```

<n>	Channel number: For single-channel instruments, the value is 1.
<value>	When the list is stopped, <ul style="list-style-type: none"> Use the last source values: OFF or 0 Set the voltage to 0 V, current source to 0.1 A: ON or 1

Details

This command allows you to end a specified list with the last source values or zero values.

Example

```
LIST:END:ZERO ON
```

List ends with the 0 V and 0.1000 A.

Also see

None

[:SOURce[n]] :LIST:HTIME

This command determines the hold time of the list running.

Type	Affected by	Where saved	Default value
Command and query	Power cycle	Not applicable	POINT

Usage

```
[ :SOURce[n] ] :LIST:HTIME <type>
```

```
[ :SOURce[n] ] :LIST:HTIME?
```

<type>	<p>POINT: The list runs until the reading reaches the preset sample count. The hold time is computed by sample count * sample speed. The preset dwell time is ignored in this mode.</p> <p>TIME: The list runs until the preset time is reached. The preset sample count is ignored in this mode.</p>
--------	---

NOTE

In the previous version, hold time is decided by whichever longer time taken by the dwell time or sample count. By comparison, the hold time in this version (01.06) is decided by the mode of hold time.

Example

```
source:list:hptime time
source:list:hptime?
```

The hold time for list running is set as dwell time.

Also see

[:TRIGger\[:SEQuence\[n\]\]:SAMPle:COUNT](#) (on page 7-175)

[\[:SOURce\[n\]\]:LIST<list number>:<element>](#) (on page 7-119)

[:SOURce[n]]:LIST:LOAD:USB

This command imports a list from USB flash drive to the instrument and save it in the specified location specified.

Type	Affected by	Where saved	Default value
Command only	Not applicable	Not applicable	Not applicable

Usage

```
[[:SOURce[n]]]:LIST:LOAD:USB <list number>,<file name>
```

<n>	Channel number: For single-channel instruments, the value is 1.
<list number>	An integer from 1 to 9 that represents the specified location where the list is imported to.
<file name>	A string that contains a name for the list name (maximum 8 characters)

Detail

Import the list from external USB flash drive.

NOTE

Make sure that the external USB flash drive connect to the instrument before you send this command. An unstable connection between USB flash driver and the instrument will cause an error 520: "No USB flash drive found".

Example

```
:LIST:SAVE:LOAD 1, "mylist"
```

Import the list in the external USB flash drive to the list 1, and save the list as "mylist".

Also see

[\[:SOURce\[n\]\]:LIST:SAVE:USB](#) (on page 7-129)

[:SOURce[n]]:LIST:MCOMPLete

This command specifies the time when the instrument generates the measure complete signal with list enabled.

Type	Affected by	Where saved	Default value
Command and query	Recall settings Instrument reset Power cycle	Saved settings	1

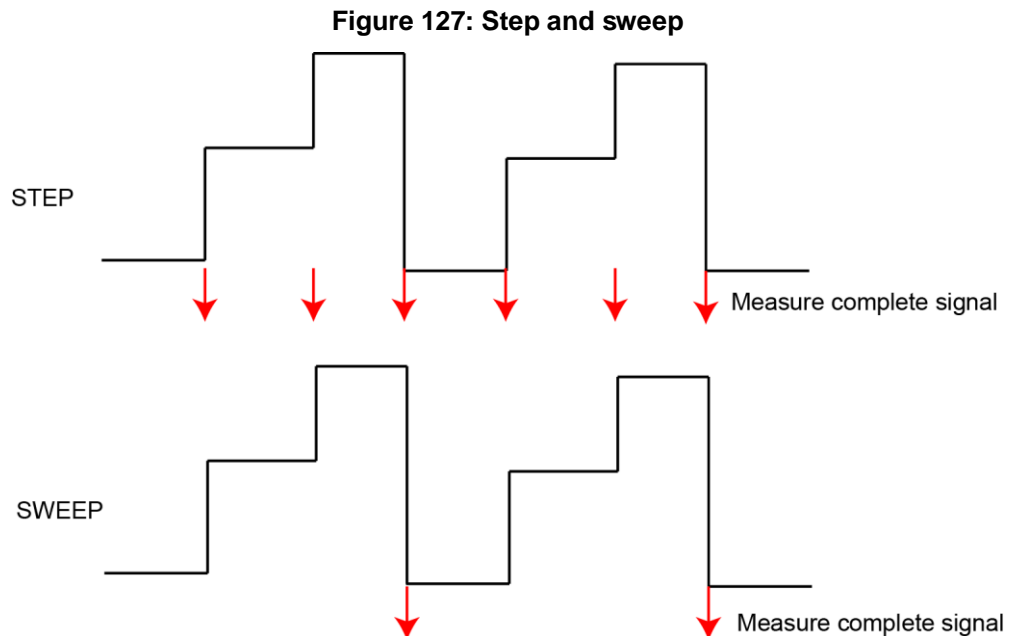
Usage

```
[:SOURce[n]]:LIST:MCOMPLete <type>
[:SOURce[n]]:LIST:MCOMPLete?
```

<n>	Channel number: For single-channel instruments, the value is 1.
<type>	<p>The time you can choose to generate :</p> <ul style="list-style-type: none"> STEP: After each list step, the instrument will generate a measure complete pulse. You can detect this pulse on digital I/O line 2. For more information, refer to Digital I/O (on page 3-19). SWEEP: After each list cycle, the instrument will generate a measure complete pulse. You can detect the pulse on digital I/O line 2.

Detail

When the list is running, the instrument allows you to check measure complete single to acquire the running state. You can use this command to configure the measure complete signal. For example, the following figure shows the different output of measure complete signal in a three-point list.



Example

```
:LIST:MCOMP STEP
```

After each list step, the instrument generates a measure complete pulse.

Also see

[Digital I/O](#) (on page 3-19)

[[:SOURce[n]]:LIST:RCL

This command recalls a specific list.

Type	Affected by	Where saved	Default value
Command and query	Recall settings Instrument reset Power cycle	Saved settings	0

Usage

```
[[:SOURce[n]]:LIST:RCL <list number>
[:SOURce[n]]:LIST:RCL?
```

<n>	Channel number: For single-channel instruments, the value is 1.
<list number>	The list number: 1 to 9.

Details

Before you run a list, you need to recall this list. If you forget to recall a list, the last recalled list is used. Sending the command `:LIST:RCL?` returns the active list number.

Example 1: Sweep list with BUS trigger (hold time type: TIME)

<pre>*RST Define list :LIST1:VOLT "1, 2, 3, 4, 5" :LIST1:CURR "0.5, 1, 1.5, 2, 2.5" :LIST1:DWEL "0.5, 0.5, 0.5, 0.5, 0.5" :LIST:SAVE:INTE 1 :LIST:RCL 1 :LIST:MCOMP SWEEP :LIST:HTIME TIME Define trigger model (sweep) :ARM:SOUR BUS :TRIG:COUN 5 Enable list mode :LIST:STAT ON :INIT *TRG</pre>	<p>Reset the instrument and stop the trigger model</p> <p>Program voltage list 1 with 5 points Program current list 1 with 5 points Program dwell list 1 with 5 points Save list 1 to nonvolatile memory Recall list 1 Select sweep mode Set hold time type to TIME</p> <p>Select the BUS Arm source Set the trigger count to list points, no need to set the sample count for TIME mode Enable list mode Start the trigger model Run the lists Hold time is the sum of the dwell time of 5 points All the readings will be stored in data buffer</p>
---	---

Example 2: Sweep list with BUS trigger (hold time type: POINT)

<pre>*RST Define list :LIST1:VOLT "1, 2, 3, 4, 5" :LIST1:CURR "0.5, 1, 1.5, 2, 2.5" :LIST1:DWEL "0.5, 0.5, 0.5, 0.5, 0.5" :LIST:SAVE:INTE 1 :LIST:RCL 1 :LIST:MCOMP SWEEP :LIST:HTIME POINT Define trigger model (sweep) :ARM:SOUR BUS :TRIG:COUN 5 :TRIG:SAMP:COUN 1 Enable list mode :LIST:STAT ON :INIT *TRG</pre>	<p>Reset the instrument and stop the trigger model</p> <p>Program voltage list 1 with 5 points Program current list 1 with 5 points Program dwell list 1 with 5 points Save list 1 to nonvolatile memory Recall list 1 Select sweep mode Set hold time type to POINT</p> <p>Select the BUS Arm source Set the trigger count to list points Select 1 sample count (a point is measured at each source level)</p> <p>Enable list mode Start the trigger model Run the lists Dwell time is ignored in this mode The lists run until the preset points are logged All the readings will be stored in data buffer</p>
--	--

Example 3: Step list with BUS trigger (hold time type: TIME)

<pre>*RST Define list :LIST1:VOLT "1, 2" :LIST1:CURR "0.5, 1" :LIST1:DWEL "0.5, 1.0" :LIST:SAVE:INTE 1 :LIST:RCL 1 :LIST:MCOMPLete STEP :LIST:HTime TIME Define trigger model (step) :ARM:SOUR BUS :ARM:COUN 2 :TRIG:COUN 1 Enable list mode :LIST:STAT ON :INIT *TRG *TRG</pre>	<p>Reset the instrument and stop the trigger model</p> <p>Program the voltage list 1 with 2 points Program the current list 1 with 2 points Program the dwell list 1 with 2 points Save list 1 to nonvolatile memory Recall list 1 Select STEP mode Set hold time type to TIME. You do not have to set sample count.</p> <p>Select the BUS Arm source Set the arm count to list points, no need to set the sample count for TIME mode</p> <p>Enable list mode Start the trigger model Run the step Hold time is the preset dwell time All the readings will be stored in data buffer Run the next step</p>
---	--

NOTE

You must allow the currently running list to finish before you run a new one. If you try to run a new one anyway, the command will be ignored.

Example 4: Step list with BUS trigger (hold time type: POINT)

*RST	Reset the instrument and stop the trigger model
Define list	
:LIST1:VOLT "1, 2"	Program the voltage list 1 with 2 points
:LIST1:CURR "0.5, 1"	Program the current list 1 with 2 points
:LIST1:DWEL "0.5, 1.0"	Program the dwell list 1 with 2 points
:LIST:SAVE:INTE 1	Save list 1 to nonvolatile memory
:LIST:RCL 1	Recall list 1
:LIST:MCOMPLete STEP	Select STEP mode
:LIST:HTIME POINT	Set hold time type to POINT.
Define trigger model (step)	
:ARM:SOUR BUS	Select the BUS Arm source
:ARM:COUN 2	Set Arm count to list points
:TRIG:COUN 1	Set trigger count to 1
TRIG:SAMP:COUN 6	Set trigger count to 6, then every step 6 points will be logged
Enable list mode	
:LIST:STAT ON	Enable list mode
:INIT	Start the trigger model
*TRG	Run the step
*TRG	Dwell time is ignored in this mode
	The list runs until the preset points are logged
	All the readings will be stored in data buffer
	Run the next step

NOTE

You must allow the currently running list to finish before you run a new one. If you try to run a new one anyway, the command will be ignored.

Example 5: Stop a running list

:ABOR	Stop the trigger model
:LIST:STAT OFF	Disable list mode

Also see

[\[:SOURCE\[n\]\]:LIST:STATe](#) (on page 7-130)

[:SOURce[n]]:LIST:SAVE:INTERNAL

This command stores the specified list to nonvolatile memory.

Type	Affected by	Where saved	Default value
Command only	Not applicable	Not applicable	Not applicable

Usage

```
[:SOURce[n]]:LIST:SAVE:INTERNAL <list number>
```

<n>	Channel number: For single-channel instruments, the value is 1.
<list number>	The list number: 1 to 9.

Details

The 2281S-20-6 supports up to nine lists. You can save a specified list to internal memory. Before saving, the instrument will verify the points of voltage, current, and dwell in the specified list. If they are the same, the list will be saved. Otherwise, error 202, "List lengths not equivalent", is generated.

If a list already exists for the specified list number, the new list overwrites the existing list.

Example

```
LIST1:VOLT "1,2"
LIST1:CURR "0.5,1"
LIST1:DWEL "0.5,0.5"
LIST:SAVE:INTE 1
```

Create a list with 2 points:

- Point 1: 1 V, 0.5 A, 0.5 s
- Point 2: 2 V, 1 A, 0.5 s

Save list 1 to the internal memory

Also see

[\[:SOURce\[n\]\]:LIST<list number>:<element>](#) (on page 7-119)

[\[:SOURce\[n\]\]:LIST<list number>:<element>:APPEND](#) (on page 7-120)

[:SOURce[n]]:LIST:SAVE:USB

This command saves the specified list to the USB flash drive.

Type	Affected by	Where saved	Default value
Command only	Not applicable	Not applicable	Not applicable

Usage

```
[:SOURce[n]]:LIST:SAVE:USB <list number>,<file name>
```

<n>	Channel number: For single-channel instruments, the value is 1.
<list number>	An integer from 1 to 9 that represents the list to save to the USB flash drive
<file name>	A string that contains a name for the saved list (maximum 8 characters)

Detail

Save the specified list to the USB flash drive.

NOTE

Make sure that the external USB flash drive is connected to the instrument before you send this command. An unstable connection between the USB flash drive and the instrument will cause an error 520: "No USB flash drive found".

Example

```
:LIST:SAVE:USB 1, "mylist"
```

Export the list 1 to the external USB flash drive as "mylist".

Also see

[\[:SOURce\[n\]\]:LIST:LOAD:USB](#) (on page 7-123)

[:SOURce[n]]:LIST:STATE

This command enables or disables the list mode.

Type	Affected by	Where saved	Default value
Command and query	Recall settings Instrument reset Power cycle	Save settings	0 (OFF)

Usage

```
[[:SOURce[n]]]:LIST:STATE <value>  
[:SOURce[n]]:LIST:STATE?
```

<n>	Channel number: For single-channel instruments, the value is 1.
<value>	Enable the list mode: OFF or 0 Disable the list mode: ON or 1

Details

This command enables or disables the list mode.

NOTE

The list only works in the concurrent function. If the function is not concurrent, sending the `[[:SOURce[n]]]:LIST:STATE` command will result in the error 209, "Change Sense Function to V+I (CONCurrent) before running a list."

Example 1: Sweep list with BUS trigger (hold time type: TIME)

<pre>*RST Define list :LIST1:VOLT "1, 2, 3, 4, 5" :LIST1:CURR "0.5, 1, 1.5, 2, 2.5" :LIST1:DWEL "0.5, 0.5, 0.5, 0.5, 0.5" :LIST:SAVE:INTE 1 :LIST:RCL 1 :LIST:MCOMP SWEEP :LIST:HTIME TIME Define trigger model (sweep) :ARM:SOUR BUS :TRIG:COUN 5 Enable list mode :LIST:STAT ON :INIT *TRG</pre>	<p>Reset the instrument and stop the trigger model</p> <p>Program voltage list 1 with 5 points Program current list 1 with 5 points Program dwell list 1 with 5 points Save list 1 to nonvolatile memory Recall list 1 Select sweep mode Set hold time type to TIME</p> <p>Select the BUS Arm source Set the trigger count to list points, no need to set the sample count for TIME mode Enable list mode Start the trigger model Run the lists Hold time is the sum of the dwell time of 5 points All the readings will be stored in data buffer</p>
---	---

Example 2: Sweep list with BUS trigger (hold time type: POINT)

<pre>*RST Define list :LIST1:VOLT "1, 2, 3, 4, 5" :LIST1:CURR "0.5, 1, 1.5, 2, 2.5" :LIST1:DWEL "0.5, 0.5, 0.5, 0.5, 0.5" :LIST:SAVE:INTE 1 :LIST:RCL 1 :LIST:MCOMP SWEEP :LIST:HTIME POINT Define trigger model (sweep) :ARM:SOUR BUS :TRIG:COUN 5 :TRIG:SAMP:COUN 1 Enable list mode :LIST:STAT ON :INIT *TRG</pre>	<p>Reset the instrument and stop the trigger model</p> <p>Program voltage list 1 with 5 points Program current list 1 with 5 points Program dwell list 1 with 5 points Save list 1 to nonvolatile memory Recall list 1 Select sweep mode Set hold time type to POINT</p> <p>Select the BUS Arm source Set the trigger count to list points Select 1 sample count (a point is measured at each source level)</p> <p>Enable list mode Start the trigger model Run the lists Dwell time is ignored in this mode The lists run until the preset points are logged All the readings will be stored in data buffer</p>
--	--

Example 3: Step list with BUS trigger (hold time type: TIME)

<pre>*RST Define list :LIST1:VOLT "1, 2" :LIST1:CURR "0.5, 1" :LIST1:DWEL "0.5, 1.0" :LIST:SAVE:INTE 1 :LIST:RCL 1 :LIST:MCOMPLete STEP :LIST:HTIME TIME Define trigger model (step) :ARM:SOUR BUS :ARM:COUN 2 :TRIG:COUN 1 Enable list mode :LIST:STAT ON :INIT *TRG *TRG</pre>	<p>Reset the instrument and stop the trigger model</p> <p>Program the voltage list 1 with 2 points Program the current list 1 with 2 points Program the dwell list 1 with 2 points Save list 1 to nonvolatile memory Recall list 1 Select STEP mode Set hold time type to TIME. You do not have to set sample count.</p> <p>Select the BUS Arm source Set the arm count to list points, no need to set the sample count for TIME mode</p> <p>Enable list mode Start the trigger model Run the step Hold time is the preset dwell time All the readings will be stored in data buffer Run the next step</p>
---	--

NOTE

You must allow the currently running list to finish before you run a new one. If you try to run a new one anyway, the command will be ignored.

Example 4: Step list with BUS trigger (hold time type: POINT)

<pre>*RST Define list :LIST1:VOLT "1, 2" :LIST1:CURR "0.5, 1" :LIST1:DWEL "0.5, 1.0" :LIST:SAVE:INTE 1 :LIST:RCL 1 :LIST:MCOMPLete STEP :LIST:HTIME POINT Define trigger model (step) :ARM:SOUR BUS :ARM:COUN 2 :TRIG:COUN 1 TRIG:SAMP:COUN 6 Enable list mode :LIST:STAT ON :INIT *TRG *TRG</pre>	<p>Reset the instrument and stop the trigger model</p> <p>Program the voltage list 1 with 2 points Program the current list 1 with 2 points Program the dwell list 1 with 2 points Save list 1 to nonvolatile memory Recall list 1 Select STEP mode Set hold time type to POINT.</p> <p>Select the BUS Arm source Set Arm count to list points Set trigger count to 1 Set trigger count to 6, then every step 6 points will be logged</p> <p>Enable list mode Start the trigger model Run the step Dwell time is ignored in this mode The list runs until the preset points are logged All the readings will be stored in data buffer Run the next step</p>
---	--

NOTE

You must allow the currently running list to finish before you run a new one. If you try to run a new one anyway, the command will be ignored.

Example 5: Stop a running list

<pre>:ABOR :LIST:STAT OFF</pre>	<p>Stop the trigger model Disable list mode</p>
---------------------------------	--

Also see

[\[:SOURce\[n\]\]:LIST:RCL](#) (on page 7-125)

STATus subsystem

The STATus subsystem controls the status registers of the 2281S-20-6. For additional information on the status model, see [Status model](#) (on page D-1).

:STATus:MEASurement[:EVENT]?

This command reads and clears the Measurement Event Register of the status model.

Type	Affected by	Where saved	Default value
Query only	Not applicable	Not applicable	Not applicable

Usage

```
:STATus:MEASurement[:EVENT]?
```

Details

This attribute reads the Measurement Event Register of the status model and then clears the register.

The instrument returns a decimal value that corresponds to the binary-weighted sum of all bits set in the register. For details, see [Measurement Event Register](#) (on page D-15).

Also see

None

:STATus:MEASurement:ENABLE

This command sets or reads the contents of the Measurement Event Enable Register of the status model.

Type	Affected by	Where saved	Default value
Command and query	Power cycle	Not applicable	0

Usage

```
:STATus:MEASurement:ENABle <n>
:STATus:MEASurement:ENABle?
```

<n>	The status of the Measurement Status Register
-----	---

Details

This command sets or reads the contents of the enable register of the Measurement Event Register.

When one of these bits is set and the corresponding bit in the Measurement Event Register is set, the MSB bit in the Status Byte Register is set.

When sending binary values, preface <n> with #b. When sending hexadecimal values, preface <n> with #h. No preface is needed when sending decimal values.

Example

```
:STAT:MEAS:ENAB #b0010000000000000
```

Sets the ISUM bit of the measurement status enable register using a binary value.

You could also send the decimal value 8192 or the hexadecimal value: #h2000.

Also see

[Measurement Event Register](#) (on page D-15)

:STATus:MEASurement:INSTrument[:EVENT]?

This command reads and clears the Measurement Instrument Event Register of the status model.

Type	Affected by	Where saved	Default value
Query only	Not applicable	Not applicable	Not applicable

Usage

```
:STATus:MEASurement:INSTrument[:EVENT]?
```

Details

This attribute reads the Measurement Instrument Event Register of the status model and then clears the register.

The instrument returns a decimal value that corresponds to the binary-weighted sum of all bits set in the register. For details, see [Measurement Instrument Event Register](#) (on page D-15).

Also see

None

:STATus:MEASurement:INSTrument:ENABLE

This command sets or reads the contents of the Measurement Instrument Event Enable Register of the status model.

Type	Affected by	Where saved	Default value
Command and query	Power cycle	Not applicable	0

Usage

```
:STATus:MEASurement:INSTrument:ENABle <n>
:STATus:MEASurement:INSTrument:ENABle?
```

<n>	The status of the Measurement Instrument Enable Register.
-----	---

Details

This command sets or reads the contents of the enable register of the Measurement Instrument Event Register.

When one of these bits is set and the corresponding bit in the Measurement Instrument Event Register is set, the ISUM bit in the Measurement Event Register is set.

When sending binary values, preface <n> with #b. When sending hexadecimal values, preface <n> with #h. No preface is needed when sending decimal values.

Example

```
:STAT:MEAS:INST:ENAB #b0000000000000010
```

Sets the bit 1 of the Measurement Instrument Enable Register using a binary value. You could also send the decimal value 2 or the hexadecimal value #h2.

Also see

[Measurement Instrument Event Register](#) (on page D-15)

:STATus:MEASurement:INSTrument:ISUMmary[:EVENT]?

This command reads the Measurement Instrument Summary Event Register of the status model.

Type	Affected by	Where saved	Default value
Query only	Not applicable	Not applicable	Not applicable

Usage

```
:STATus:MEASurement:INSTrument:ISUMmary[:EVENT]?
```

Details

This attribute reads the Measurement Instrument Summary Event Register of the status model and clears the register.

The instrument returns a decimal value that corresponds to the binary-weighted sum of all bits set in the register.

Example

```
:STAT:MEAS:INST:ISUM?
```

Returns the contents of the Measurement Instrument Summary Event Register of the status model.

Also see

[Measurement Instrument Summary Event Register](#) (on page D-16)

:STATus:MEASurement:INSTrument:ISUMmary:ENABLE

This command sets or reads the contents of the Measurement Instrument Summary Enable Register of the status model.

Type	Affected by	Where saved	Default value
Command and query	Power cycle	Not applicable	0

Usage

```
:STATus:MEASurement:INSTrument:ISUMmary:ENABLE <n>
:STATus:MEASurement:INSTrument:ISUMmary:ENABLE?
```

```
<n>
```

The status of the Measurement Instrument Summary Enable Register.

Details

This command sets or reads the contents of the enable register of the Measurement Instrument Summary Event Register (MISER).

When one of these bits is set and the corresponding bit in the MISER set, bit 1 in the Measurement Instrument Event Register is set.

When sending binary, preface <n> with #b. When sending hexadecimal, preface <n> with #h. No preface is needed when sending decimal values.

Example

<pre>:STAT:MEAS:INST:ISUM:ENAB #b000010000000001</pre>	Sets the output and reading overflow bits of the Measurement Instrument Summary Enable register using a binary value. You could also send the decimal value 2049 or the hexadecimal value: #h801.
--	--

Also see

[Measurement Instrument Summary Event Register](#) (on page D-16)

:STATus:MEASurement:INSTrument:ISUMmary:CONDition?

This command reads the Measurement Instrument Summary Condition Register of the status model.

Type	Affected by	Where saved	Default value
Query only	Not applicable	Not applicable	Not applicable

Usage

```
:STATus:MEASurement:INSTrument:ISUMmary:CONDition?
```

Details

This command reads the contents of the Measurement Instrument Summary Condition Register.

For details about interpreting the value of a register, see [Measurement Instrument Summary Event Register](#) (on page D-16).

Example

<pre>:STAT:MEAS:INST:ISUM:COND?</pre>	Returns the contents of the Measurement Instrument Summary Condition Register of the status model.
---------------------------------------	--

Also see

None

:STATus:OPERation[:EVENT]?

This command reads and clears the Operation Event Register of the status model.

Type	Affected by	Where saved	Default value
Query only	Not applicable	Not applicable	Not applicable

Usage

```
:STATus:OPERation[:EVENT]?
```

Details

This command reads the Operation Event Register of the status model and then clears the register. The instrument returns a decimal value that corresponds to the binary-weighted sum of all bits set in the register. For details, see [Operation Event Register](#) (on page D-9)

Also see

None

:STATus:OPERation:ENABLE

This command sets or reads the contents of the Operation Event Enable Register of the status model.

Type	Affected by	Where saved	Default value
Command and query	Power cycle	Not applicable	0

Usage

```
:STATus:OPERation:ENABle <n>
:STATus:OPERation:ENABle?
```

<n>	The status of the operation status register
-----	---

Details

This command sets or reads the contents of the enable register of the Operation Event Register.

When one of these bits is set and the corresponding bit in the Operation Event Register is set, the OSB bit in the Status Byte Register is set.

When sending binary values, preface <n> with #b. When sending hexadecimal values, preface <n> with #h. No preface is needed when sending decimal values.

Example

```
:STAT:OPER:ENAB #b0010000000000000
```

Sets the Operation Status Enable Register using a binary value. You could also send the decimal value 8192 or the hexadecimal value #h2000.

Also see

[Operation Event Register](#) (on page D-9)

:STATus:OPERation:INSTrument[:EVENT]?

This command reads and clears the Operation Instrument Event Register of the status model.

Type	Affected by	Where saved	Default value
Query only	Not applicable	Not applicable	Not applicable

Usage

```
:STATus:OPERation:INSTrument[:EVENT]?
```

Details

This attribute reads the Operation Instrument Event Register of the status model and then clears the register.

The instrument returns a decimal value that corresponds to the binary-weighted sum of all bits set in the register. For details, see [Operation Instrument Event Register](#) (on page D-10).

Also see

None

:STATus:OPERation:INSTrument:ENABle

This command sets or reads the contents of the Operation Instrument Enable Register of the status model.

Type	Affected by	Where saved	Default value
Command and query	Power cycle	Not applicable	0

Usage

```
:STATus:OPERation:INSTrument:ENABle <n>  
:STATus:OPERation:INSTrument:ENABle?
```

<n>	The status of the Operation Instrument Enable Register
-----	--

Details

This command sets or reads the contents of the Enable register of the Operation Instrument Event Register.

When one of these bits is set and the corresponding bit in the Operation Instrument Event Register is set, the ISUM bit in the Operation Event Register is set.

When sending binary values, preface <n> with #b. When sending hexadecimal values, preface <n> with #h. No preface is needed when sending decimal values.

Example

```
:STAT:OPER:INST:ENAB #b0000000000000010
```

Sets bit 1 of the Operation Instrument Enable Register using a binary value. You could also send the decimal value 2 or the hexadecimal value #h2.

Also see

None

:STATus:OPERation:INSTrument:ISUMmary[:EVENT]?

This command reads the Operation Instrument Summary Event Register of the status model.

Type	Affected by	Where saved	Default value
Query only	Not applicable	Not applicable	Not applicable

Usage

```
:STATus:OPERation:INSTrument:ISUMmary[:EVENT]?
```

Details

This attribute reads the Operation Instrument Summary Event Register of the status model and clears the register.

The instrument returns a decimal value that corresponds to the binary-weighted sum of all bits set in the register.

Example

```
:STAT:OPER:INST:ISUM?
```

Returns the contents of the Operation Instrument Summary Event Register of the status model.

Also see

[Operation Instrument Summary Event Register](#) (on page D-11)

:STATus:OPERation:INSTrument:ISUMmary:ENABLE

This command sets or reads the contents of the Operation Instrument Summary Enable Register of the status model.

Type	Affected by	Where saved	Default value
Command and query	Power cycle	Not applicable	0

Usage

```
:STATus:OPERation:INSTrument:ISUMmary:ENABle <n>
:STATus:OPERation:INSTrument:ISUMmary:ENABle?
```

<n>

The status of the Operation Instrument Summary Enable Register.

Details

This command sets or reads the contents of the enable register of the Operation Instrument Summary Event Register (OISER).

When one of these bits is set and the corresponding bit in the OISER is set, bit 1 in the Operation Instrument Event Register is set.

When sending binary values, preface <n> with #b. When sending hexadecimal values, preface <n> with #h. No preface is needed when sending decimal values.

Example

```
:STAT:OPER:INST:ISUM:ENAB #b0000000100010000
```

Sets the filter and measure bits of the Operation Instrument Summary Enable Register using a binary value. You could also send the decimal value 272 or the hexadecimal value #h110

Also see

[Operation Instrument summary Event Register](#) (on page D-11)

:STATus:OPERation:INSTrument:ISUMmary:CONDition?

This command reads the Operation Instrument Summary Condition Register of the status model.

Type	Affected by	Where saved	Default value
Query only	Not applicable	Not applicable	Not applicable

Usage

```
:STATus:OPERation:INSTrument:ISUMmary:CONDition?
```


Details

This command reads the contents of the Operation Instrument Summary Condition Register.

For details about interpreting the value of a register, see [Operation Instrument Summary Event Register](#) (on page D-11).

Example

<code>:STAT:OPER:INST:ISUM:COND?</code>	Returns the contents of the Operation Instrument Summary Condition Register of the status model.
---	--

Also see

[Operation Instrument Summary Event Register](#) (on page D-11)

:STATus:PRESet

This command resets all the device-dependent enable registers.

Type	Affected by	Where saved	Default value
Command only	Not applicable	Not applicable	Not applicable

Usage

`:STATus:PRESet`

Details

Sending this command can reset the bits of the following enable registers to 0:

- Operation Event Enable Register
- Operation Instrument Event Enable Register
- Operation Instrument Summary Event Enable Register
- Measurement Event Enable Register
- Measurement Instrument Event Enable Register
- Measurement Instrument Summary Event Enable Register
- Questionable Event Enable Register
- Questionable Instrument Event Enable Register
- Questionable Instrument Summary Event Enable Register

Example

<code>:STAT:PRES</code>	Reset all the enable registers to 0.
-------------------------	--------------------------------------

Also see

None

:STATus:QUESTionable[:EVENT]?

This command reads the Questionable Event Register.

Type	Affected by	Where saved	Default value
Query only	Not applicable	Not applicable	Not applicable

Usage

```
:STATus:QUESTionable[:EVENT]?
```

Details

This command reads the Questionable Event Register of the status model and then clears the register.

The instrument returns a decimal value that corresponds to the binary-weighted sum of all bits set in the register. For details, see [Questionable Event Register](#) (on page D-12).

Example

```
:STAT:QUES? Returns the contents of Questionable Event Register
```

Also see

[Questionable Event Register](#) (on page D-12)

:STATus:QUESTionable:ENABLE

This command sets or reads the contents of the Questionable Event Enable Register of the status model.

Type	Affected by	Where saved	Default value
Command and query	Power cycle	Not applicable	0

Usage

```
:STATus:QUESTionable:ENABLE <n>
:STATus:QUESTionable:ENABLE?
```

```
<n> The value of the Questionable Status Enable Register.
```

Details

This command sets or reads the contents of the enable register of the Questionable Event Register.

When one of these bits is set and the corresponding bit in the Questionable Event Register is set, the QSM bit in the Status Byte Register is set.

When sending binary values, preface <n> with #b. When sending hexadecimal values, preface <n> with #h. No preface is needed when sending decimal values.

Example

```
:STAT:QUES:ENAB #b0010000000000000 Sets the operation Status Enable Register
using a binary value.
You could also send the decimal value 8192
or the hexadecimal value #h2000.
```

Also see

[Questionable Event Register](#) (on page D-12)

:STATus:QUEStionable:INSTRument[:EVENT]?

This command reads and clears the Questionable Instrument Event Register of the status model.

Type	Affected by	Where saved	Default value
Query only	Not applicable	Not applicable	Not applicable

Usage

```
:STATus:QUEStionable:INSTRument[:EVENT]?
```

Details

This attribute reads the Questionable Instrument Event Register of the status model and then clears the register.

The instrument returns a decimal value that corresponds to the binary-weighted sum of all bits set in the register. For details, see [Questionable Instrument Event Register](#) (on page D-13).

Also see

None

:STATus:QUEStionable:INSTRument:ENABLE

This command sets or reads the contents of the Questionable Instrument Event Enable Register of the status model.

Type	Affected by	Where saved	Default value
Command and query	Power cycle	Not applicable	0

Usage

```
:STATus:QUEStionable:INSTRument:ENABLE <n>
:STATus:QUEStionable:INSTRument:ENABLE?
```

<n>	The status of the Questionable Instrument Event Enable Register.
-----	--

Details

This command sets or reads the contents of the enable register of the Questionable Instrument Event Register.

When one of these bits is set and the corresponding bit in the Questionable Instrument Event Register is set, the ISUM bit in the Questionable Event Register is set.

When sending binary values, preface <n> with #b. When sending hexadecimal values, preface <n> with #h. No preface is needed when sending decimal values.

Example

```
:STAT:QUES:INST:ENAB #b00000000000000010
```

Sets bit 1 of the Questionable Instrument Event Enable Register using a binary value.
You could also send the decimal value 2 or the hexadecimal value #h2.

Also see

[Questionable Instrument Event Register](#) (on page D-13)

:STATus:QUESTionable:INSTrument:ISUMmary[:EVENT]?

This command reads the Operation Instrument Summary Event Register of the status model.

Type	Affected by	Where saved	Default value
Query only	Not applicable	Not applicable	Not applicable

Usage

```
:STATus:QUESTionable:INSTrument:ISUMmary[:EVENT]?
```

Details

This attribute reads the Questionable Instrument Summary Event Register of the status model and clears the register.

The instrument returns a decimal value that corresponds to the binary-weighted sum of all bits set in the register.

Example

```
:STAT:QUES:INST:ISUM?
```

Returns the contents of the Questionable Instrument Summary Event Register of the status model.

Also see

[Questionable Instrument Summary Event Register](#) (on page D-14)

:STATus:QUESTionable:INSTrument:ISUMmary:ENABLE

This command sets or reads the contents of the Questionable Instrument Summary Event Enable Register of the status model.

Type	Affected by	Where saved	Default value
Command and query	Power cycle	Not applicable	0

Usage

```
:STATus:QUESTionable:INSTrument:ISUMmary:ENABle <n>
:STATus:QUESTionable:INSTrument:ISUMmary:ENABle?
```

<n>

The status of the Questionable Instrument Summary Event Enable Register.

Details

This command sets or reads the contents of the enable register of the Questionable Instrument Summary Event Register (QISER).

When one of these bits is set and the corresponding bit in the QISER is set, bit 1 in the Questionable Instrument Event Register is set.

When sending binary values, preface <n> with #b. When sending hexadecimal values, preface <n> with #h. No preface is needed when sending decimal values.

Example

```
:STAT:QUES:INST:ISUM:ENAB #b0000000000001010
```

Sets the overvoltage protection (OVP) and constant voltage (CV) bits of the Questionable Instrument Summary Enable Register using a binary value. You could also send the decimal value 10 or the hexadecimal value #hA.

Also see

[Questionable Instrument summary Event Register](#) (on page D-14)

:STATus:QUESTionable:INSTrument:ISUMmary:CONDition?

This command reads the Questionable Instrument Summary Condition Register of the status model.

Type	Affected by	Where saved	Default value
Query only	Not applicable	Not applicable	Not applicable

Usage

```
:STATus:QUESTionable:INSTrument:ISUMmary:CONDition?
```

Details

This command reads the contents of the Questionable Instrument Summary Condition Register.

For details about interpreting the value of a register, see [Questionable Instrument Summary Event Register](#) (on page D-14).

Example

:STAT:QUES:INST:ISUM:COND?	Reads the Questionable Instrument Summary Condition Register.
----------------------------	---

Also see

None

SYSTEM subsystem

This subsystem contains commands that affect the overall operation of the instrument, such as autozero, beeper, communications, event logs, and time.

:SYSTEM:AZERo[n][:STATe]

This command enables and disables the autozero.

Type	Affected by	Where saved	Default value
Command and query	Recall settings Instrument reset Power cycle	Save settings	1 (ON)

Usage

```
:SYSTEM:AZERo [n] [:STATe] <state>  
:SYSTEM:AZERo [n] [:STATe] ?
```

[n]	Channel number: For single-channel instruments, the value is 1.
<state>	Disable autozero: 0 or OFF. Enable autozero: 1 or ON.

Details

When autozero is disabled, the reference and internal temperature measurements are not performed. This increases the measurement speed. However, the reference and temperature reference points will eventually drift, resulting in inaccurate readings of the input signal. For details, refer to Autozero measurements.

Example

```
:SYST:AZER OFF
```

Disables autozero to increase measurement speed.

Also see

None

:SYSTem:BEEPer:ERRor[:STATe]

This command allows you to turn the beeper on or off.

Type	Affected by	Where saved	Default value
Command and query	Recall settings Instrument reset Power cycle	Save settings	1 (ON)

Usage

```
:SYSTem:BEEPer:ERRor[:STATe] <state>  
:SYSTem:BEEPer:ERRor[:STATe] ?
```

<state>

Disable the beeper: OFF or 0
Enable the beeper: ON or 1

Details

This command enables or disables the beeper for error messages. When enabled, a beep signals that an error has happened.

Example

```
:SYSTem:BEEPer:ERRor ON
```

Enable the error beeper.

Also see

[:SYSTem:KCLick](#) (on page 7-155)

:SYSTem:COMMunication:ABORT

This command causes the remote control to transfer to the present interface.

Type	Affected by	Where saved	Default value
Command only	Not applicable	Not applicable	Not applicable

Usage

```
SYSTem:COMMunication:ABORT
```

Details

The instrument supports the following interfaces:

- USB
- LAN
- GPIB
- LXI

Only one interface may be connected at a time. When one interface is active, all the others are blocked.

When this command is sent by one of the interfaces, the present active interface is blocked, and the interface that sends `SYST:COMM:ABOR` becomes active.

NOTE

Before you use this command to get control of the instrument, make sure this interface is unlocked. If the interface is locked, sending `SYST:COMM:ABOR` causes error 511, "Communication not permitted: This interface is locked, send `SYSTem:PASSword:UNLock` with a password to unlock it."

Example

<code>:SYSTem:COMMunication:ABORt</code>	For example, if the present active interface is USB, send this command through GPIB. After that, GPIB is activated and USB is blocked.
--	--

Also see

- [:SYSTem:PASSword:MODE](#) (on page 7-157)
- [:SYSTem:PASSword:UNLock](#) (on page 7-158)

:SYSTem:COMMunication:LAN:CONFigure

This command specifies the LAN configuration for the instrument.

Type	Affected by	Where saved	Default value
Command and query	Not applicable	Nonvolatile memory	AUTO

Usage

```
:SYSTem:COMMunication:LAN:CONFigure AUTO
:SYSTem:COMMunication:LAN:CONFigure MANual, "<IPaddress>"
:SYSTem:COMMunication:LAN:CONFigure MANual, "<IPaddress>", "<NETmask>"
:SYSTem:COMMunication:LAN:CONFigure MANual, "<IPaddress>", "<NETmask>", "<GATeway>"
:SYSTem:COMMunication:LAN:CONFigure?
```

AUTO	Use automatically configured LAN settings (default)
MANual	Use manually configured LAN settings
<IPaddress>	LAN IP address; must be a string specifying the IP address in dotted decimal notation; required if the mode is set to manual (default "0.0.0.0")
<NETmask>	The LAN subnet mask; must be a string in dotted decimal notation (default "255.255.255.0")
<GATeway>	The LAN default gateway; must be a string in dotted decimal notation (default "0.0.0.0")

Details

This command specifies how the LAN IP address and other LAN settings are assigned. If automatic configuration is selected, the instrument automatically determines the LAN information. When the method is automatic, the instrument first attempts to configure the LAN settings using dynamic host configuration protocol (DHCP). If DHCP fails, it tries dynamic link local addressing (DLLA). If DLLA fails, an error occurs.

If manual is selected, you must define the IP address. You can also assign a subnet mask and a default gateway. The IP address, subnet mask, and default gateway must be formatted in four groups of numbers, each separated by a decimal. If you do not specify a subnet mask or default gateway, the previous settings are used.

The query form of the command returns the present settings in the order shown here:

```
AUTO or MANual, <IPaddress>, <NETmask>, <GATeway>
```

Example

```
:SYST:COMM:LAN:CONF MAN,"192.168.0.1","255.255.240.0","192.168.0.3"
:SYST:COMM:LAN:CONF?
```

Set the IP address to be set manually, with the IP address set to 192.168.0.1, the subnet mask to 255.255.240.0, and the gateway address to 192.168.0.3.

Query to verify the settings. The response to the query should be:

```
MANUAL,"192.168.0.1","255.255.240.0","192.168.0.3"
```

Also see

[:SYSTEM:COMMunication:LAN:MACaddress?](#) (on page 7-150)

:SYSTEM:COMMunication:LAN:MACaddress?

This command queries the LAN MAC address.

Type	Affected by	Where saved	Default value
Query only	Not applicable	Not applicable	Not applicable

Usage

```
:SYSTEM:COMMunication:LAN:MACaddress?
```

Details

The MAC address is a character string representing the MAC address of the instrument in hexadecimal notation. The string includes colons that separate the address octets.

Example

```
:SYSTEM:COMMunication:LAN:MACaddress? Returns the MAC address. For example, you might see:
00:60:1A:00:00:57
```

Also see

None

:SYSTem:DATE

This command sets the calendar of the instrument.

Type	Affected by	Where saved	Default value
Command and query	Not applicable	Nonvolatile memory	See Details

Usage

```
:SYSTem:DATE <year>, <month>, <day>
:SYSTem:DATE?
```

<year>	Year: must be more than 1970
<month>	Month: 1 to 12
<day>	Day: 1 to 31

Details

The query command returns the present date in the format:

```
<year>,<month>,<day>
```

Example

```
:SYST:DATE 2014, 5, 12 Set the system date to May 12, 2014.
```

Also see

[:SYSTem:TIME](#) (on page 7-160)

:SYSTem:ERRor?

This command reads the oldest error message from the event log.

Type	Affected by	Where saved	Default value
Query only	Not applicable	Not applicable	Not applicable

Usage

```
:SYSTem:ERRor?
```

Details

As errors occur, they are placed in the error queue. The error queue is a first-in, first-out (FIFO) register that can hold up to 64 messages.

This command returns the next entry from the error queue. Errors are cleared after you read them.

If there are no entries in the error queue, the following message is returned:

```
0, "No error"
```

Example

```
:SYST:ERR? Returns information about the next error in the error queue.
```

Also see

None

:SYSTem:ERRor:CLEar

This command clears the error queue.

Type	Affected by	Where saved	Default value
Command only	Not applicable	Not applicable	Not applicable

Query

```
:SYSTem:ERRor:CLEar
```

Details

This function removes all messages from the error queue.

Also see

None

:SYSTem:ERRor:CODE[:NEXT]?

This command reads and clears the oldest error code.

Type	Affected by	Where saved	Default value
Query only	Not applicable	Not applicable	Not applicable

Usage

```
:SYSTem:ERRor:CODE[:NEXT]?
```

Details

This command returns the numeric code of the next error in the event log. The error is cleared from the queue after being read. The following command also clears the returned error:

```
:SYSTem:ERRor?
```

Example

```
:SYST:ERR:CODE?
```

Returns the error code of the next error in the error queue.
For example, if error -222, "Parameter data out of range error" occurred, the output is:
-222

Also see

[:SYSTem:ERRor?](#) (on page 7-151)

:SYSTem:ERRor:COUNT?

This command returns the number of errors in the error queue.

Type	Affected by	Where saved	Default value
Query only	Not applicable	Not applicable	Not applicable

Usage

```
:SYSTem:ERRor:COUNT?
```

Details

This returns the number of errors in the error queue. This command does not clear the errors from the error queue.

Example

:SYST:ERR:COUN?	If there are five errors in the event log, the output is: 5
-----------------	--

Also see

None

:SYSTem:EVENTlog:SAVE

This command saves the event log to a file on a USB flash drive.

Type	Affected by	Where saved	Default value
Command only	Not applicable	Not applicable	Not applicable

Usage

```
:SYSTem:EVENTlog:SAVE <filename>
```

<filename>	A string that holds the name of the file to be saved
------------	--

Details

This command saves all event log entries since the last clear command to a USB flash drive.

You must insert the USB flash drive before sending this command.

The extension `.csv` is automatically added to the file name.

Example

:SYST:EVEN:SAVE "error_log"	Saves the error events in the event log to a file on the USB flash drive named <code>error_log.csv</code> .
-----------------------------	---

Also see

[:SYSTem:ERRor:CLEar](#) (on page 7-152)

:SYSTem:GPIB:ADDRess

This command sets the GPIB address.

This command sets the GPIB address..Type	Affected by	Where saved	Default value
Command and query	Not applicable	Nonvolatile memory	5

Usage

```
:SYSTem:GPIB:ADDRess <n>
:SYSTem:GPIB:ADDRess?
```

<n>	The GPIB address of the instrument (1 to 30)
-----	--

Details

The address can be set to any address value from 1 to 30. However, the address must be unique in the system. It cannot conflict with an address that is assigned to another instrument or to the GPIB controller.

A new GPIB address takes effect when the command to change it is processed. If there are response messages in the output queue when this command is processed, they must be read at the new address.

If command messages are being queued (sent before this command has executed), the new settings may take effect in the middle of a subsequent command message, so care should be exercised when setting this attribute from the GPIB interface.

You should allow ample time for the command to be processed before attempting to communicate with the instrument again. After sending this command, make sure to use the new address to communicate with the instrument.

*RST does not affect the GPIB address.

Example

:SYSTem:GPIB:ADDRess 26	Sets the GPIB address and reads the address. Output: 26
:SYSTem:GPIB:ADDRess?	

Also see

[GPIB communication](#) (on page 2-56)

:SYSTem:KCLick

This command allows you to enable or disable the key click sound.

Type	Affected by	Where saved	Default value
Command and query	Recall settings Instrument reset Power cycle	Save settings	1 (ON)

Usage

```
:SYSTem:KCLick <state>
:SYSTem:KCLick?
```

<state>

Disable the key click sound: OFF or 0
Enable the key click sound: ON or 1

Details

This command enables or disables the key click sound. When enabled, any key presses on the front-panel will output a sound signaling that a front-panel key has been pressed.

Example

```
:SYSTem:KCLick ON
```

Enable the key clicks.

Also see

None

:SYSTem:LOCal

This command takes the instrument out of remote operation and restores the operation of front-panel controls.

Type	Affected by	Where saved	Default value
Command only	Not applicable	Not applicable	Not applicable

Usage

```
:SYSTem:LOCal
```

Details

When the instrument is in remote operation, all the front-panel keys except the **LOCAL** and **OUTPUT** keys are locked out. When this command is sent, the instrument restores operation of the front-panel controls. However, you can send `SYSTem:LOCal` to take the instrument out of remote and restore operation of front panel controls.

NOTE

If the trigger source or arm source is set to manual triggering, the **TRIGGER** key is enabled when the instrument is in the remote mode.

Example

```
:SYST:LOC
```

Returns to local mode and you can control the instrument from the front panel.

Also see

[:SYSTem:RWLock](#) (on page 7-160)

:SYSTem:LFRrequency?

This query returns the line frequency that was automatically detected when the instrument was turned on.

Type	Affected by	Where saved	Default value
Query only	Not applicable	Not applicable	Not applicable

Usage

```
:SYSTem:LFRrequency?
```

Details

The instrument automatically detects the power line frequency (either 50 Hz or 60 Hz) when the instrument is powered on.

Example

```
:SYST:LFR? Return the line frequency.
```

Also see

None

:SYSTem:PASSword:LOCK

This command sets a remote interface to lock mode.

Type	Affected by	Where saved	Default value
Command only	Not applicable	Not applicable	ADMIN

Usage

```
:SYSTem:PASSword:LOCK <password>
```

```
<password> The password for remote connection
```

Details

When password protection is enabled, sending this command disables the remote interface. For example, if you send this command through the GPIB interface, GPIB is locked and the instrument ignores all the SCPI commands from the GPIB except the following command:

```
:SYSTem:LOCa1
```

Example

```
:SYST:PASS:LOCK "ADMIN" Disable the current interface
```

Also see

[:SYSTem:PASSword:MODE](#) (on page 7-157)

[:SYSTem:PASSword:NEW](#) (on page 7-157)

[:SYSTem:PASSword:UNLock](#) (on page 7-158)

:SYSTem:PASSword:MODE

This command sets the protection mode for the remote connection.

Type	Affected by	Where saved	Default value
Command only	Power cycle Instrument reset Recall settings	Save settings	NONE

Usage

```
:SYSTem:PASSword:MODE <value>
```

<value>

Enable the password protection: ALL
Disable the password protection: NONE

Details

When the password protection is set to ALL, you must enter a password when sending the following commands:

- :SYSTem:PASSword:LOCK
- :SYSTem:PASSword:UNLock

Example

```
:SYST:PASS:MODE ALL
```

Enable the password protection.

Also see

- [:SYSTem:PASSword:LOCK](#) (on page 7-156)
- [:SYSTem:PASSword:NEW](#) (on page 7-157)
- [:SYSTem:PASSword:UNLock](#) (on page 7-158)

:SYSTem:PASSword:NEW

This command sets a new password for the remote connection.

Type	Affected by	Where saved	Default value
Command only	Not applicable	Nonvolatile memory	admin

Usage

```
:SYSTem:PASSword:NEW <string1>,<string2>
```

<string1>

A string that contains the present password (maximum 8 characters)

<string2>

A string that contains a new password (maximum 8 characters)

Details

When the access to the instrument is set to lock, this is the password that is used to gain access.

The instrument continues to use the old password for all interactions until the command to change it executes. When changing the password, give the instrument time to execute the command before attempting to use the new password.

If you forget the password, you can reset the password to the default. On the front panel, press **MENU**. Under System, select Manage. Select **Password Reset**. In the pop-up window, select **LXI** to reset the password.

Example

```
:SYST:PASS:NEW "ADMIN", "123456"
```

Change the password of the instrument to 123456

Also see

[:SYSTem:PASSword:LOCK](#) (on page 7-156)

[:SYSTem:PASSword:MODE](#) (on page 7-157)

[:SYSTem:PASSword:UNLock](#) (on page 7-158)

:SYSTem:PASSword:UNLock

This command enables a remote interface.

Type	Affected by	Where saved	Default value
Command only	Not applicable	Not applicable	ADMIN

Usage

```
:SYSTem:PASSword:UNLock <password>
```

```
<password>
```

The password for remote mode

Details

When a remote interface is locked, sending this command with the correct password will release it. Sending this command with wrong will cause the error, 509, "System password not correct."

Example

```
:SYST:PASS:UNL "ADMIN"
```

Unlock the present interface used to send this command.

Also see

[:SYSTem:PASSword:LOCK](#) (on page 7-156)

[:SYSTem:PASSword:MODE](#) (on page 7-157)

[:SYSTem:PASSword:NEW](#) (on page 7-157)

:SYSTem:POSetup:STATe

This command enables or disables default setup loading. When it is set to **On**, the power setup loads setup 1 right after it is powered on.

Type	Affected by	Where saved	Default value
Command and query	Not applicable	Nonvolatile memory	0 (OFF)

Usage

```
:SYSTem:POSetup:STATe <state>
```

```
:SYSTem:POSetup:STATe?
```

<state>

Disable default setup loading: OFF or 0
 Enable default setup loading: ON or 1

Example

```
:SYSTem:POSetup:STATe ON
:SYSTem:POSetup:STATe?
```

The default setup is configured to load automatically when the instrument is turned on..

Also see

[*SAV](#) (on page 7-7)

:SYSTem:PRESet

This command returns the instrument to the factory default conditions and erases all user data stored in nonvolatile memory.

Type	Affected by	Where saved	Default value
Command only	Not applicable	Not applicable	Not applicable

Usage

```
:SYSTem:PRESet
```

Details

Sending this command will return the instrument to the factory default conditions and erases all user data stored in nonvolatile memory, such as list parameter and setup information.

NOTE

This command does not influence the status structure registers and error queue.

This command resets GPIB address and IP address to default settings. After sending this command, make sure to use the new address to communicate with the instrument.

You should allow ample time for the command to be processed before attempting to communicate with the instrument again.

Example

```
:SYST:PRES
```

Set the instrument to restore the factory default settings and erase all user data stored in nonvolatile memory, such as list parameter and setup information.

Also see

[*RST](#) (on page 7-6)
[Reset default values](#) (on page 3-60)

:SYSTem:RWLock

This command locks out front-panel controls.

Type	Affected by	Where saved	Default value
Command only	Not applicable	Not applicable	Not applicable

Usage

```
:SYSTem:RWLock
```

Details

When this command is sent, all of the front-panel keys are disabled. The instrument can only be controlled using the remote interface.

Example

```
:SYST:RWLock
```

Disables all of the front-panel keys.

Also see

[:SYSTem:LOCaI](#) (on page 7-155)

:SYSTem:TIME

This command sets the absolute time of the instrument.

Type	Affected by	Where saved	Default value
Command and query	Not applicable	Nonvolatile memory	See Details

Usage

```
:SYSTem:TIME <hour>, <minute>, <second>  

:SYSTem:TIME?
```

<hour>	Hour in 24-hour time format: 0 to 23
<minute>	Minute: 0 to 60
<second>	Second: 0 to 60

Details

The query command returns the present timestamp in the format:

```
<hour>,<minute>,<second>
```

Example

```
:SYST:TIME 5, 51, 30
```

Set the system time to 05:51:30.

Also see

[:SYSTem:DATE](#) (on page 7-151)

:SYSTem:VERSIon?

This command queries the present SCPI standard version.

Type	Affected by	Where saved	Default value
Query only	Not applicable	Not applicable	Not applicable

Usage

```
:SYSTem:VERSIon?
```

Details

This query command returns the SCPI standard version.

Example

:SYSTem:VERSIon?	Query the version. Example output: 1999.0
------------------	--

Also see

None

TRACe subsystem

The TRACe subsystem contains commands that control the reading buffer.

:TRACe[n]:CLEAr or :DATA[n]:CLEAr

This command clears all readings in the buffer.

Type	Affected by	Where saved	Default value
Command only	Not applicable	Not applicable	Not applicable

Usage

```
:TRACe [n] :CLEAr  
:DATA [n] :CLEAr
```

[n]	Channel number: For single-channel instruments, the value is 1.
-----	---

Example

:TRACe:CLEAr	Clear the data buffer.
--------------	------------------------

Also see

Reading buffer

:TRACe[n]:CLEAr:AUTO or :DATA[n]:CLEAr:AUTO

This command enables or disables the autoclear feature for the buffer.

Type	Affected by	Where saved	Default value
Command and query	Power cycle	Not applicable	1 (ON)

Usage

```
:TRACe[n]:CLEAr:AUTO <state>
:TRACe[n]:CLEAr:AUTO?
:DATA[n]:CLEAr:AUTO <state>
:DATA[n]:CLEAr:AUTO?
```

[n]	Channel number: For single-channel instruments, the value is 1.
<state>	Enable autoclear: 1 or ON Disable autoclear: 0 or OFF

Details

With autoclear enabled, the buffer will automatically clear when the storage process starts. When disabled, readings will append to old readings in the buffer until the buffer becomes full (2,500 readings) or the storage process is stopped.

Example

```
:TRACe:CLEAr:AUTO ON Enable autoclear for the buffer.
```

Also see

Reading buffer

:TRACe[n]:DATA? or :DATA[n]:DATA?

This query command returns all the readings from the buffer.

Type	Affected by	Where saved	Default value
Query only	Recall settings Instrument reset Power cycle	Not applicable	Not applicable

Usage

```
:TRACe[n]:DATA? [<buffer elements>]
:DATA[n]:DATA? [<buffer elements>]
```

[n]	Channel number: For single-channel instruments, the value is 1.
<buffer elements>	A list of elements in the buffer to print; if nothing is specified, defaults are READing, SOURce, UNIT, and RELative; see Details for a list of options.

Details

Use `TRACE:DATA?` to retrieve all readings that are stored in the buffer. You can send this command even if the instrument is still storing readings. When `TRACe:DATA?` is sent, it will return the readings stored up to that point in time. Subsequent `TRACe:DATA?` commands will not retrieve readings already returned. However, once the buffer has been fully filled, you can retrieve all the stored readings again by sending this command. For example, if `TRACe:DATA? "READ, SOURce"` is sent, the subsequent `TRACe:data? "MODE"` command will not return mode information. You can get additional buffer data by sending the command `TRACe:DATA:SElected?`.

When specifying buffer elements, you can:

- Specify buffer elements in any order.
- Include up to 10 elements in a single list.
- Repeat elements as long as the number of elements in the list is less than 10.
- Use a comma to delineate multiple elements for a data point.
- Use single or double quotes to enclose all the elements.

The options for `<buffer elements>` are described in the following table.

Option	Description	Example
READING	The measurement reading based on the measurement function.	+8.034562E-03
SOURce	The source value.	+4.566723E+01
UNIT	The unit of measure reading, source value, and timestamp.	V, A, and s
MODE	The output state.	CC, CV or OFF
DATE	The date for the data point.	07/01/2013
TIME	The time for the data point.	19:21:36.2556
TSTamp	The timestamp for the data point.	07/01/2013 19:21:36.2556
RELative	The relative time when the data point was measured, formatted in seconds.	+4.430876E+00s
RSTamp	The relative time when the data point was measured.	12:23:32.2349
RNUMBER	The reading number indicates the point index in the trace buffer.	0001

NOTE

RELative and RSTamp are defined as the time since the first reading was stored in the buffer. These values are reset every 24-hours. DATE, TIME, and TSTamp represent absolute time from the internal real-time clock (RTC).

Example

<pre>:TRACe:DATA? "READ, SOUR, REL"</pre>	<p>Return the measurement value, source value, and the relative time.</p> <p>Output:</p> <pre>+1.000000E+00, +1.779709E-03, +0.000000E+00, +1.000000E+00, +1.735228E-03, +6.100000E-02</pre>
---	--

Also see

Reading buffer

:TRACe[n]:DATA:SElected? or :DATA[n]:DATA:SElected?

This query command returns specified data elements in the buffer.

Type	Affected by	Where saved	Default value
Query only	Recall settings Instrument reset Power cycle	Not applicable	Not applicable

Usage

```
:TRACe[n]:DATA:SElected? <start>, <end>[,<buffer elements>]
```

```
:DATA[n]:DATA:SElected? <start>, <end>[,<buffer elements>]
```

[n]	Channel number: For single-channel instruments, the value is 1.
<start>	Beginning index of the buffer to return: 1 to 2500.
<end>	Ending index of the buffer to return: 1 to 2500.
<buffer elements>	A list of elements in the buffer to print; if nothing is specified, defaults are READING, SOURCE, UNIT, and RELATIVE; see Details for a list of options.

Details

The <start> parameter specifies the first stored reading to return.

NOTE

The first stored reading in the buffer is 1. The <end> parameter specifies the last of the readings to return.

When specifying buffer elements, you can:

- Specify buffer elements in any order.
- Repeat elements as long as the number of elements in the list is less than 10.
- Use a comma to delineate multiple elements for a data point.
- Use single or double quotes to enclose all the elements.

NOTE

For large buffers, you can get the data in 100 point increments. For example, if the data point is 250, `TRACe:DATA:SElected 1,100,"READ, SOURce"` command will return the first 100 readings and source values from the buffer. If additional buffer element data is required, such as the CV or CC status, sending the command `TRACe:DATA:SElected? 1,100,"MODE"` can get the output status.

The options for `<bufferElements>` are described in the following table.

Option	Description	Example
READING	The measurement reading based on the <code>SENS:FUNC</code> setting.	+8.034562E-03
SOURCE	The source value.	+4.566723E+01
UNIT	The unit of measure reading, source value, and timestamp	V, A, and s
MODE	The output state.	CC, CV or OFF
DATE	The date for the data point.	07/01/2013
TIME	The time for the data point.	19:21:36.2556
TSTamp	The timestamp for the data point.	07/01/2013 19:21:36.2556
RELative	The relative time when the data point was measured, fomatted in seconds.	+4.430876E+00s
RSTamp	The relative timestamp when the data point was measured.	12:23:32.2345
RNUMber	The reading number indicates the point index in the trace buffer	0001

NOTE

`RELative` and `RSTamp` are defined as the time since the first reading was stored in the buffer. These values are reset every 24-hours. `DATE`, `TIME`, and `TSTamp` represent absolute time from the internal real-time clock (RTC).

Example

<code>:TRAC:DATA:SEL? 1, 99, "READ,SOUR,REL"</code>	Return buffer readings 1 through 99 with the measurement value, source value, and the relative time.
---	--

Also see

Reading buffer

:TRACe[n]:FEED or :DATA[n]:FEED

This command selects the source of readings.

Type	Affected by	Where saved	Default value
Command and query	Recall settings Instrument reset Power cycle	Save settings	SENS

Usage

```
:TRACe[n]:FEED <name>
:DATA[n]:FEED <name>
:TRACe[n]:FEED?
:DATA[n]:FEED?
```

[n]	Channel number: For single-channel instruments, the value is 1.
<name>	Select the source of readings: <ul style="list-style-type: none"> • Store the readings before the math calculation: <code>SENSe</code> • Store the readings after the math calculation: <code>CALCulate</code>

Details

When you select `SENSe` for the source, the readings stored in the trace buffer do not have a math calculation even if the math state is ON. For details about data flow, refer to [Displayed measurements](#) (on page 4-14).

Example

<pre>:TRACe:FEED SENS :TRACe:FEED?</pre>	Set the source of readings to <code>SENSe</code> and query the source. Output is: SENS
--	--

Also see

Reading buffer

:TRACe[n]:FEED:CONTRol or :DATA[n]:FEED:CONTRol

This command determines if a reading buffer is filled continuously or is filled once and stops.

Type	Affected by	Where saved	Default value
Command and query	Recall settings Instrument reset Power cycle	Save settings	ALW

Usage

```
:TRACe[n]:FEED:CONTRol <name>
:DATA[n]:FEED:CONTRol <name>
:TRACe[n]:FEED:CONTRol?
:DATA[n]:FEED:CONTRol?
```

[n]	Channel number: For single-channel instruments, the value is 1.
<name>	Buffer control: <ul style="list-style-type: none"> • Fill once: <i>NEXT</i>. After the specified number of readings (buffer size) are stored, buffer operation is disabled. • Fill continuous: <i>ALWAYS</i>. After the specified number of readings are stored, operation wraps back to the first buffer location and overwrites the previous readings • No measurements to fill the buffer: <i>NEVER</i>.

Details

Use this command to set and read the fill mode of the reading buffer.

When a reading buffer is set to *NEXT*, no data is overwritten in the buffer. When the buffer is filled, no more data is stored in that buffer and new readings are discarded.

When a reading buffer is set to *ALWAYS*, the oldest data is overwritten by the newest data after the buffer fills.

Example

```
:TRACe:FEED:CONT ALWAYS
:TRACe:FEED:CONT?
Set the buffer mode to always and query the mode.
Output is: ALW
```

Also see

Reading buffer

:TRACe[n]:POINTs or :DATA[n]:POINTs

This command contains the number of readings a buffer can store.

Type	Affected by	Where saved	Default value
Command and query	Recall settings Instrument reset Power cycle	Save settings	100

Usage

```
:TRACe[n]:POINTs <newSize>
:TRACe[n]:POINTs?
:TRACe[n]:POINTs? DEFault
:TRACe[n]:POINTs? MINimum
:TRACe[n]:POINTs? MAXimum
:DATA[n]:POINTs <newSize>
:DATA[n]:POINTs?
:DATA[n]:POINTs? DEFault
:DATA[n]:POINTs? MINimum
:DATA[n]:POINTs? MAXimum
```

[n]	Channel number: For single-channel instruments, the value is 1.
<newSize>	The new size for the buffer: 2 to 2500

Details

Use this command to read the number of measurements that a buffer can store.

Example

:TRACe:POINTs?	Query the capacity of the buffer. Output: 1000
----------------	--

Also see

Reading buffer

:TRACe[n]:POINTs:ACTual? or :DATA[n]:POINTs:ACTual?

This command queries the number of readings presently stored in the buffer.

Type	Affected by	Where saved	Default value
Query only	Instrument reset Power cycle	Not applicable	Not applicable

Usage

```
:TRACe[n]:POINTs:ACTual?
:DATE[n]:POINTs:ACTual?
```

[n]	Channel number: For single-channel instruments, the value is 1.
-----	---

Example

:TRACe:POINts:ACTual?	Query the number of stored reading in the buffer. Output: 200
-----------------------	---

Also see

Reading buffer

:TRACe[n]:SAVE or :DATA[n]:SAVE

This command saves data from the specified reading buffer to a USB flash drive.

Type	Affected by	Where saved	Default value
Command only	Not applicable	Not applicable	Not applicable

Usage

```
:TRACe[n]:SAVE <fileName>
:TRACe[n]:SAVE <fileName>, <timeFormat>
:TRACe[n]:SAVE <fileName>, <timeFormat>, <start>, <end>
:DATA[n]:SAVE <fileName>
:DATA[n]:SAVE <fileName>, <timeFormat>
:DATA[n]:SAVE <fileName>, <timeFormat>, <start>, <end>
```

[n]	Channel number: For single-channel instruments, the value is 1.
<fileName>	A string that indicates the name of the file on the USB flash drive in which to save the reading buffer
<timeFormat>	Defines how date and time information from the buffer is saved in the file on the USB flash drive; the values are: <ul style="list-style-type: none"> Dates, times, and fractional seconds are saved; the default value: TSTamp Relative time stamps (in seconds) are saved: RELative Relative time stamps are saved: RSTamp For details about time format, see :TRACe[n]:DATA? or :DATA[n]:DATA? (on page 7-162).
<start>	Defines the starting point in the buffer to start saving data
<end>	Defines the ending point in the buffer to stop saving data

Details

For options that save more than one item of time information, each item is comma-delimited. For example, the default format is date, time, and fractional seconds for each reading.

Example

:TRACe:SAVE "myData"	Save all readings and default time information to a file named myData.csv on the USB flash drive.
:TRACe:SAVE "myDataRel", REL	Save all readings and relative time stamps to a file named myDataRel.csv on the USB flash drive.
:TRACe:SAVE "myDataRel100",REL,1,100	Save the buffer readings from 1 through 100 to a file named myDataRel100.csv on the USB flash drive.

Also see

Reading buffer

:TRACe[n]:TRIGger:CURRent:DIRection

This command specifies whether the current rises above or falls below a specified level when the level trigger is activated.

Type	Affected by	Where saved	Default value
Command and query	Power cycle	Not applicable	RISE

Usage

```
:TRACe[n]:TRIGger:CURRent:DIRection <direction>
```

```
:TRACe[n]:TRIGger:CURRent:DIRection?
```

<direction>	The direction can be RISE or FALL.
-------------	------------------------------------

Example

```
TRAC:TRIG:CURR:DIR RISE
TRAC:TRIG:CURR:DIR?
```

The level trigger will be activated when the current rises above the preset threshold value.

Also see

[:TRACe\[n\]:TRIGger:CURRent:STATe](#) (on page 7-171)

[:TRACe\[n\]:TRIGger:CURRent\[:LEVel\]](#) (on page 7-170)

:TRACe[n]:TRIGger:CURRent[:LEVel]

This command configures the current threshold value for the level trigger.

Type	Affected by	Where saved	Default value
Command and query	Power cycle	Not applicable	0

Usage

```
:TRACe[n]:TRIGger:CURRent[:LEVel] <current threshold>
```

```
:TRACe[n]:TRIGger:CURRent[:LEVel]?
```

<current threshold>	<p>The value of this parameter depends on the trace feed and relative status:</p> <ul style="list-style-type: none"> If TRACe:FEED is CALC, the current threshold ranges from -1.0E7 to 1.0E7 If TRACe:FEED is SENSE and Relative is off, the current threshold value is from 0 to 6.1
---------------------	--

Example

TRAC:TRIG:CURR 1 TRAC:TRIG:CURR?	The current threshold value is set to 1.
-------------------------------------	--

Also see

- [:TRACe\[n\]:TRIGger:CURRent:STATe](#) (on page 7-171)
- [:TRACe\[n\]:TRIGger:CURRent:DIRection](#) (on page 7-170)

:TRACe[n]:TRIGger:CURRent:STATe

This command determines whether the current level trigger function is enabled.

Type	Affected by	Where saved	Default value
Command and query	Power cycle	Not applicable	0 (OFF)

Usage

```
:TRACe [n] :TRIGger:CURRent:STATe <state>
:TRACe [n] :TRIGger:CURRent:STATe?
```

<state>	ON or 1: Enable the current level trigger function OFF or 0: Disable the current level trigger function
---------	--

Example

TRAC:TRIG:CURR:STAT 1 TRAC:TRIG:CURR:STAT?	The current level trigger function is enabled.
---	--

Also see

- [:TRACe\[n\]:TRIGger:CURRent\[:LEVel\]](#) (on page 7-170)
- [:TRACe\[n\]:TRIGger:CURRent:DIRection](#) (on page 7-170)

:TRACe[n]:TRIGger:OCCUR?

This command queries whether a level trigger has occurred.

Type	Affected by	Where saved	Default value
Query only	Not applicable	Not applicable	Not applicable

Usage

```
:TRACe [n] :TRIGger:OCCur?
```

Details

This is a query command.

Example

```
TRAC:TRIG:OCC?
```

Queries whether a level trigger has occurred.

If a level trigger has occurred, the value of 1 will be returned.

Also see

None

:TRACe[n]:TRIGger:OFFSet

This command defines the number of points at which the instrument begins to log data in the buffer.

Type	Affected by	Where saved	Default value
Command and query	Power cycle	Not applicable	0

Usage

```
:TRACe [n] :TRIGger:OFFSet <value>
```

```
:TRACe [n] :TRIGger:OFFSet?
```

```
<value>
```

From 0 to 2500.

Example

```
TRAC:TRIG:OFFS 10
TRAC:TRIG:OFFS?
```

10 points before the level trigger activation are not cleared .

Also see

None

:TRACe[n]:TRIGger:VOLTage:DIRection

This command specifies whether the voltage rises above or falls below a specified level when the level trigger is activated.

Type	Affected by	Where saved	Default value
Command and query	Power cycle	Not applicable	RISE

Usage

```
:TRACe[n]:TRIGger:VOLTage:DIRection <direction>
```

```
:TRACe[n]:TRIGger:VOLTage:DIRection?
```

<direction>	The direction can be RISE or FALL.
-------------	------------------------------------

Example

TRAC:TRIG:VOLT:DIR RISE TRAC:TRIG:VOLT:DIR?	The level trigger will be activated when the voltage rises above the preset threshold value.
--	--

Also see

[:TRACe\[n\]:TRIGger:VOLTag:e:STATe](#) (on page 7-174)

[:TRACe\[n\]:TRIGger:VOLTag:e\[:LEVel\]](#)

:TRACe[n]:TRIGger:VOLTage[:LEVel]

This command configures the voltage threshold for the level trigger.

Type	Affected by	Where saved	Default value
Command and query	Power cycle	Not applicable	0

Usage

```
:TRACe[n]:TRIGger:VOLTage[:LEVel] <voltage threshold>
```

```
:TRACe[n]:TRIGger:VOLTage[:LEVel]?
```

<voltage threshold>	<p>The value of this parameter depends on the trace feed and relative status:</p> <ul style="list-style-type: none"> If TRACe:FEED is CALC, the voltage threshold ranges from -1.0E8 to 1.0E8 If TRACe:FEED is SENSE and Relative is off, the voltage threshold is from 0 to 20
---------------------	---

Example

TRAC:TRIG:VOLT 20 TRAC:TRIG:VOLT?	The value of the voltage threshold is set to 20.
--------------------------------------	--

Also see

[:TRACe\[n\]:TRIGger:VOLTag:e:STATe](#) (on page 7-174)

[:TRACe\[n\]:TRIGger:VOLTag:e:DIRection](#) (on page 7-173)

:TRACe[n]:TRIGger:VOLTage:STATe

This command determines whether the voltage level trigger function is enabled.

Type	Affected by	Where saved	Default value
Command and query	Power cycle	Not applicable	0 (OFF)

Usage

```
:TRACe[n]:TRIGger:VOLTage:STATe <state>
```

```
:TRACe[n]:TRIGger:VOLTage:STATe?
```

<state>	
ON or 1:	Enable the voltage level trigger function
OFF or 0:	Disable the voltage level trigger function

Example

TRAC:TRIG:VOLT:STAT 1 TRAC:TRIG:VOLT:STAT?	The voltage level trigger function is enabled.
---	--

Also see

[:TRACe\[n\]:TRIGger:VOLTage\[:LEVel\]](#) (on page 7-173)

[:TRACe\[n\]:TRIGger:VOLTage:DIRection](#) (on page 7-173)

TRIGger subsystem

The commands in this subsystem configure and control the trigger model for trigger layer.

:TRIGger[:SEQuence[n]]:COUNT

This command sets the number of times to repeat the trigger event.

Type	Affected by	Where saved	Default value
Command and query	Recall settings Instrument reset Power cycle	Save settings	1

Usage

```
:TRIGger[:SEQuence[n]]:COUNT <count>
```

```
:TRIGger[:SEQuence[n]]:COUNT?
```

```
:TRIGger[:SEQuence[n]]:COUNT? DEFault
```

```
:TRIGger[:SEQuence[n]]:COUNT? MINimum
```

```
:TRIGger[:SEQuence[n]]:COUNT? MAXimum
```

[n]	Channel number: For single-channel instruments, the value is 1.
<count>	The number of times to repeat the trigger: 1 to 2500

Example

```
:TRIG:COUN 4
```

Set the trigger count to four.

Also see

[:ARM:SEQuence\[n\]:COUnT](#) (on page 7-18)
[Trigger model](#) (on page 3-27)

:TRIGger[:SEQuence[n]]:SAMPle:COUnT

This command sets the number of measurement per trigger event.

Type	Affected by	Where saved	Default value
Command and query	Recall settings Instrument reset Power cycle	Save settings	1

Usage

```
:TRIGger[:SEQuence[n]]:SAMPle:COUnT <count>
:TRIGger[:SEQuence[n]]:SAMPle:COUnT?
:TRIGger[:SEQuence[n]]:SAMPle:COUnT? DEFault
:TRIGger[:SEQuence[n]]:SAMPle:COUnT? MINimum
:TRIGger[:SEQuence[n]]:SAMPle:COUnT? MAXimum
```

[n]	Channel number: For single-channel instruments, the value is 1.
<count>	The number of measurements: 1 to 2500.

Details

This command sets the number of measurement per trigger event. For details, refer to [Trigger model](#) (on page 3-27).

Example

```
:TRIG:SAMP:COUn 10
```

Set the sample count to 10.

Also see

[Trigger model](#) (on page 3-27)

:TRIGger[:SEQuence[n]]:SOURce

This command selects the control source for trigger layer.

Type	Affected by	Where saved	Default value
Command and query	Recall settings Instrument reset Power cycle	Save settings	IMM

Usage

```
:TRIGger[:SEQuence[n]]:SOURce <source>
```

```
:TRIGger[:SEQuence[n]]:SOURce?
```

[n]	Channel number: For single-channel instruments, the value is 1.
<source>	The trigger source for trigger layer: <ul style="list-style-type: none"> • Immediate triggering: <code>IMMediate</code>. No delay or gating in the detection layer • External triggering: <code>EXTErnal</code>. • Manual triggering: <code>MANual</code>. The trigger signal is generated by pressing the TRIGGER key

Example

```
:TRIG:SOUR EXT
```

Select external triggering as the trigger source.

Also see

[:ARM\[:SEQuence\[n\]\]:SOURce](#) (on page 7-18)

[Trigger model](#) (on page 3-27)

Troubleshooting guide

In this section:

Introduction	8-1
Contacting support.....	8-1
What to do if the power supply does not turn on	8-1
LAN troubleshooting suggestions.....	8-2
Error summary	8-3

Introduction

This section includes troubleshooting information on the Keithley Instruments Model 2281S-20-6 Precision DC Supply and Battery Simulator, including a complete listing of error messages and troubleshooting suggestions.

Contacting support

If you have any questions after reviewing this information, please contact your local Keithley Instruments representative or call Keithley Instruments corporate headquarters (toll-free inside the U.S. and Canada only) at 800-935-5595, or from outside the U.S. at +1-440-248-0400. For worldwide contact numbers, visit the [Keithley Instruments website](http://www.keithley.com) <http://www.keithley.com>.

When contacting Keithley, please have ready:

- The serial number of the instrument.
- The firmware revision of the instrument.
- The model and firmware revision of all installed cards.

When you call, have the information available, and, if possible, be near the instrument.

What to do if the power supply does not turn on

To solve problems you might encounter when turning on the instrument, follow these steps:

1. Verify that there is AC power to the power supply.

Check that the AC power cord is firmly plugged into the power connector on the rear panel of the power supply. You should also make sure that the AC power source you plugged the power supply into is energized. Then, check that the power supply is turned on.

2. Verify the power-line voltage settings.

Check that the line voltage selector switch on the rear panel is set to the proper value for your country (100 V AC/120 V AC or 220 V AC/ 240 V AC). Change the voltage setting if it is not correct.

NOTE

Under certain circumstances, powering the instrument from a mains voltage for which it is not configured can cause the mains fuse to be damaged.

3. Verify that the correct power-line fuse is installed.
 - If the fuse is damaged, replace the fuse for your power supply.
 - If you set the line selection to 100 V and 120 V, use a 5 A, time delay 250 V fuse.
 - If you set the line selection to 220 V and 240 V, use a 2.5 A, time delay 250 V fuse.
1. If you need more help, see [Additional 2281S-20-6 information](#) (on page 9-1).

LAN troubleshooting suggestions

If you are unable to connect to the instrument's web interface, check the following items:

- Verify that the network cable is in the LAN port on the rear panel of the instrument, not one of the TSP-Link[®] ports (see the description in [Rear-panel overview](#) (on page 2-3)).
- Verify that the network cable is in the correct port on the computer. The LAN port of a laptop may be disabled when the laptop is in a docking station.
- Verify that the configuration information for the correct ethernet card was used during the setup procedure.
- Verify that the network card of the computer is enabled.
- Verify that the IP address of the instrument is compatible with the IP address on the computer.
- Verify that the subnet mask address of the instrument is the same as the subnet mask address of the computer.
- Restart your computer.
- Turn the instrument's power off, and then on. Wait at least 60 seconds for the network configuration to be completed. Verify that the correct settings are assigned to the instrument:
 1. Press the **MENU** key.
 2. Under System, select **Communication**.
 3. Select the LAN interface.
 4. Verify the settings.

If the above actions do not correct the problem, contact your system administrator.

Error summary

Messages in the Event Log are preceded by a numeric code called an Event Number. Negative (-) numbers are used for SCPI-defined messages, and positive (+) numbers are used for Keithley-defined messages.

The event log supports up to 64 errors. You cannot disable the logging of errors

Error code	Error message
-440	Query UNTERMINATED after indefinite response
-430	Query DEADLOCKED
-420	Query UNTERMINATED
-410	Query INTERRUPTED
-405	Request control
-404	Power fail
-403	User request
-402	Operation complete
-401	Power on
-400	Query event
-363	Input buffer overrun
-362	Framing error in program message
-361	Parity error in program message
-360	Communication error
-350	Queue overflow
-330	Self-test failed
-315	Configuration memory lost
-314	Save/recall memory lost
-313	Calibration memory lost
-312	PUD memory lost
-311	Memory error
-310	System error
-300	Device-specific error

Error code	Error message
-285	Program syntax error
-284	Program currently running
-282	Illegal program name
-281	Cannot create program
-274	Hardcopy configuration error
-273	Hardcopy aborted
-272	Hardcopy is busy
-271	Hardcopy device not responding
-270	Hardcopy error
-261	Math error in expression
-260	Expression error
-258	Media protected
-257	File name error
-256	File name not found
-255	Directory full
-254	Media full
-253	Corrupt media
-252	Missing media
-251	Missing mass storage
-250	Mass storage error
-243	Hardware I/O device error
-242	Hardware configuration error
-241	Hardware missing
-240	Hardware error
-230	Data corrupt or stale
-225	Out of memory
-224	Illegal parameter value
-223	Too much data
-222	Data out of range
-221	Settings conflict
-220	Parameter error
-215	Arm deadlock
-214	Trigger deadlock
-213	Init ignored
-212	Arm ignored
-211	Trigger ignored
-210	Trigger error
-202	Settings lost due to rtl
-201	Invalid while in local
-200	Execution error

Error code	Error message
-184	Command in alias requires more/fewer parameters
-183	Invalid inside alias definition
-181	Invalid outside alias definition
-180	Alias error
-178	Data type error
-171	Invalid expression
-170	Expression error
-168	Block data not allowed
-161	Invalid block data
-160	Block data error
-158	String data not allowed
-154	String too long
-152	String data too long
-151	Invalid string data
-150	String data error
-148	Character data not allowed
-144	Character data too long
-141	Invalid character data
-140	Character data error
-138	Suffix not allowed
-134	Suffix too long
-131	Invalid suffix
-130	Suffix error
-128	Numeric data not allowed
-124	Too many digits
-123	Exponent too large
-121	Invalid character in number
-120	Numeric data error
-118	Query not allowed
-114	Header suffix out of range
-113	Undefined header
-112	Program mnemonic too long
-111	Header separator error
-110	Command header error
-109	Missing parameter
-108	Parameter not allowed
-106	Invalid program data separator
-105	GET not allowed
-104	Data type error
-103	Invalid separator
-102	Syntax error
-101	Invalid character
-100	Command error
0	No error

Error code	Error message
	Calibration errors:
100	Calibration error
101	Not permitted with cal locked
102	Calibration password is incorrect
105	Bad sequence of calibration commands
106	Calibration save failed
107	Calibration data lost
108	Busy on current step, wait until this step is completed
109	Not permitted with cal unlocked
110	Step1 Kmath error
111	Step1 V-DAC zero DMM reading out of range
112	Step1 V-ADC zero collected data error
113	Step2 V-DAC full scale DMM reading out of range
114	Step2 V-ADC full scale collected data error
115	Step3 I-ADC 100mA zero DMM reading out of range
116	Step3 100mA shunt value out of range
117	Step3 I-ADC 100mA zero collected data error
118	Step3 I-ADC 10mA zero collected data error
119	Step4 I-ADC 100mA full scale DMM reading out of range
120	Step4 100mA shunt value out of range
121	Step4 I-ADC 100mA full scale collected data error
122	Step5 I-ADC 10A zero DMM reading out of range
123	Step5 10A shunt value out of range
124	Step5 I-ADC 10A zero collected data error
125	Step5 I-ADC 1A zero collected data error
126	Step6 I-DAC zero collected data error
127	Step7 I-ADC 10A full scale DMM reading out of range
128	Step7 10A shunt value out of range
129	Step7 I-ADC 10A full scale collected data error
130	Step8 I-DAC full scale collected data error
140	OXF or reverse sense error occurred during calibration
141	Incorrect CC/CV mode for one certain step
150	Not permitted when performing cal from front panel

Error code	Error message
	List errors:

200	List error
201	Too many list points
202	List lengths not equivalent
203	Assigning data to undefined list
204	Attempt to run an empty list
205	Save list failed
206	List state is off
207	Load list from USB flash drive failed
208	Load list from internal memory failed
209	Change Sense Function to V+I (CONCurrent) before running a list
210	Not permitted with list enabled
	Protection errors:
300	OVP error occurred
301	OCP error occurred
302	OTP error occurred
303	Clear OXP failed
311	Reverse sense fault
320	Not permitted with output off
330	Not permitted before OXP or reverse sense error is cleared
	Communication errors:
400	Could not modify IP address
401	Could not modify subnet mask
402	Could not modify gateway address
403	IP address, subnet mask and gateway address don't match
406	IP conflicts
	Other errors:
500	Acquire data failed
501	Assign line failed
502	SDEviation not supported when trace buffer feed control is NEXT or ALWays
503	Only supports single channel
504	No upgrade found
507	Lines 4 to 6 don't support function AUTO for single channel instrument
508	Querying manual input data of the line which is not set as Manual Input line
509	System password not correct
510	Parameter error
511	Communication not permitted
520	No USB flash drive found
521	Cannot open file
522	Load file from USB flash drive failed
523	Save file to USB flash drive failed
530	Attempt to call an empty global setup
540	Password is too long
541	Invalid character in password

Error code	Error message
600	Lines 1/3 don't support function DIGIN/DIGOUT for single channel instrument
601	Lines 2/4 to 6 don't support function AUTO for single channel instrument
602	Parameter error
603	Not supported in this mode
605	Line 1 will be fixed to ATUO when arm source is External
700	Not permitted in this work mode
701	Model length not enough
702	Full Voc can't be less than empty Voc
703	Not permitted with battery model is running
704	Too many model values
705	Model length not enough

In this section:

Additional 2281S-20-6 information 9-1

Additional 2281S-20-6 information

For additional information about the 2281S-20-6, refer to:

- The Product Information CD-ROM (ships with the product): Contains product documentation.
- The [Keithley Instruments website](http://www.keithley.com) (<http://www.keithley.com>) contains the most up-to-date information. From the website, you can access:
 - The Knowledge Center, which contains the following handbooks:
 - *The Low Level Measurements Handbook: Precision DC Current, Voltage, and Resistance Measurements*
 - *Switching Handbook: A Guide to Signal Switching in Automated Test Systems*
 - Application notes
 - Updated drivers
 - Updated firmware
- Your local Field Applications Engineer: They can help you with product selection, configuration, and usage. Check the website for contact information.

Maintenance

In this appendix:

Introduction.....	A-1
Line fuse replacement.....	A-1
Upgrading the firmware.....	A-2
Cleaning the front-panel display.....	A-4

Introduction

The information in this section describes routine maintenance of the instrument that can be performed by the operator.

Line fuse replacement

A fuse located on the Model 2281S-20-6 rear panel protects the power line input of the instrument.

WARNING

Disconnect the line cord at the rear panel and remove all test leads connected to the instrument before replacing the line fuse. Failure to do so could expose the operator to hazardous voltages that could result in personal injury or death.

Use only the correct fuse type. Failure to do so could result in injury, death, or instrument damage.

Choose the right fuse with mechanical characteristics described in the following table.

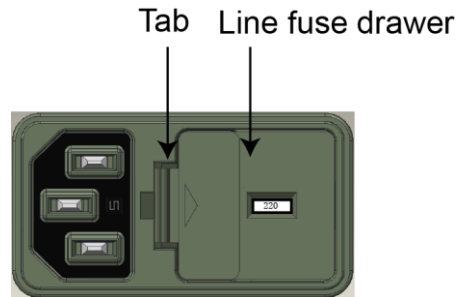
Model	100 V/120 V AC source	220 V/240 V AC source
2281S-20-6	250 V, 5 A, Time delay	250 V, 2.5 A, Time delay

To replace the fuses, you will need a small flat-bladed screwdriver.

Perform the following steps to replace the line fuse:

1. Power off the instrument.
2. Remove the line cord.
3. Locate the fuse drawer, which is next to the AC receptacle as shown in the graphic below.

Figure 128: Line fuse



4. Use the screwdriver to lift the tab from the AC receptacle.
5. Slide the fuse drawer out. The fuse drawer must be pulled completely out of the power module.
6. Snap the fuse out of the drawer.
7. Replace the two fuses.
8. Push the fuse drawer back into the power module.

If the power line fuses continue to become damaged, a circuit malfunction exists and must be corrected. Return the instrument to Keithley Instruments for repair.

Upgrading the firmware

To upgrade the 2281S-20-6 firmware, you load an upgrade file into the instrument. You can load the file from the USB port using the front panel of the instrument.

During the upgrade process, the instrument verifies that the version you are loading is newer than what is on the instrument. If the version is older or at the same revision level, no changes are made.

If you want to revert to a previous version of the firmware, press the **MENU** key on the front panel, select **Information**, select **Upgrade**, and then select **Previous** instead of New. When you return to a previous version, the instrument verifies that the version you are loading is earlier than what is on the instrument.

The upgrade process should take about five minutes.

Upgrade files are available on the Keithley Instruments website.

To locate the upgrade files on the Keithley website:

1. Select the **Support** tab.
2. Search for your model number's firmware:
 - a. In the model number box, type **2281**.
 - b. In the second box, select **Firmware**.
 - c. Click the search button.
3. A list of available firmware updates and any available documentation for the instrument is displayed. Click the file to download.

 **CAUTION**

Disconnect the input terminals before you upgrade or downgrade.

Do not remove power from the Model 2281S-20-6 or remove the USB flash drive while an upgrade or downgrade is in progress. Wait until the instrument completes the procedure and shows the opening display.

From the front panel **CAUTION**

Do not turn off power or remove the USB flash drive until the upgrade process is complete.

From the front panel:

1. Copy the firmware upgrade file to a USB flash drive.
2. Verify that the upgrade file is in the root subdirectory of the flash drive and that it is the only firmware file in that location.
3. Disconnect any input and output terminals that are attached to the instrument.
4. Turn on instrument power.
5. Insert the flash drive into the USB port on the front panel of the instrument.
6. From the instrument front panel, choose any of the three functions on the startup screen.
7. Press the **MENU** key
8. Under System, select **Information**.
9. Select **Upgrade**, and press the **ENTER** key.
10. Select the type of upgrade you want to perform:
 - To upgrade to a newer version of firmware: Select **New** and press the **ENTER** key.
 - To return to a previous version of firmware: Select **Previous** and press the **ENTER** key.
1. When the upgrade is complete, reboot the instrument.

A message is displayed while the upgrade is in progress.

Cleaning the front-panel display

Inspect the power supply as often as operating conditions require.

To clean the exterior surface:

1. Remove loose dust on the outside of the power supply with a lint-free cloth. Use care to avoid scratching the display.
2. Use a soft cloth dampened with water to clean the power supply. Use an aqueous solution of 75 percent isopropyl alcohol for more efficient cleaning.



CAUTION

To avoid damage to the surface of the power supply, do not use any abrasive or chemical cleaning agents.

Verification

In this appendix:

OverviewB-1
Test recordB-1
Performance verification proceduresB-8

Overview

This topic contains performance verification procedures. Additional test equipment is required to complete the verification procedures.

These procedures cover the 2281S-20-6. Please ignore procedures that do not apply to the specific model you are testing.

Print the Test record, and use it to record the performance test results for your power supply.

NOTE

Completion of the performance verification procedure does not update the stored time and date of the latest successful adjustment. The date and time are updated only when the factory adjustment procedures are successfully completed.

The performance verification procedures verify the performance of your instrument. They do not adjust your instrument. If your instrument fails any of the performance verification tests, refer to [Keithley Instruments website \(http://www.keithley.com\)](http://www.keithley.com).

Test record

Model	Serial	Procedure performed by	Date
-------	--------	------------------------	------

Test	Passed	Failed
DC voltage setting accuracy with remote sense		
DC voltage accuracy without remote sense		
DC voltage readback accuracy		
DC voltage line regulation		
DC voltage load regulation		
Sink current capability		
Sink current readback accuracy (1A)		
Sink current readback accuracy (100 mA)		
Sink current readback accuracy (10 mA)		
DC current setting accuracy		
DC current readback accuracy (10 A)		
DC current readback accuracy (1 A)		
DC current readback accuracy (10 mA)		
DC current readback accuracy (100 mA)		
DC current line regulation		
DC current load regulation		
Overvoltage protection		
Overcurrent protection		
Voltage noise at 20 MHz		
Current noise at 20 MHz		

DC voltage setting accuracy with remote sense

Model number	DUT voltage (V)	Test current (A)	Min (V)	Max (V)	Measured voltage (V)
0 % test voltage					
2281S-20-6	0	3	-0.003	0.003	
25 % test voltage					
2281S-20-6	5	3	4.996	5.004	
50 % test voltage					
2281S-20-6	10	3	9.995	10.005	
75 % test voltage					
2281S-20-6	15	3	14.996	15.004	
100 % test voltage					
2281S-20-6	20	3	19.993	20.007	

DC voltage setting accuracy without remote sense

Model number	DUT voltage (V)	Test current (A)	Min (V)	Max (V)	Measured voltage (V)
0 % test voltage					
2281S-20-6	0	3	-0.003	0.003	
25 % test voltage					
2281S-20-6	5	3	4.9945	5.0055	
50 % test voltage					
2281S-20-6	10	3	9.9935	10.0065	
75 % test voltage					
2281S-20-6	15	3	14.9925	15.0075	
100 % test voltage					
2281S-20-6	20	3	19.9915	20.0085	

DC voltage readback accuracy with remote sense

Model number	DUT voltage (V)	Test current (A)	Measured voltage (V)	DUT readback (V)	Absolute difference (mV)	Maximum difference (mV)
0 % test voltage						
2281S-20-6	0	3				2
25 % test voltage						
2281S-20-6	5	3				3
50 % test voltage						
2281S-20-6	10	3				4
75 % test voltage						
2281S-20-6	15	3				5
100 % test voltage						
2281S-20-6	20	3				6

DC voltage readback accuracy without remote sense

Model number	DUT voltage (V)	Test current (A)	Measured voltage (V)	DUT readback (V)	Absolute difference (mV)	Maximum difference (mV)
0 % test voltage						
2281S-20-6	0	0				2
25 % test voltage						
2281S-20-6	5	0				3
50 % test voltage						
2281S-20-6	10	0				4
75 % test voltage						
2281S-20-6	15	0				5
100 % test voltage						
2281S-20-6	20	0				6

DC voltage line regulation

Model number	DUT voltage (V)	Test current (A)	Min (V)	Nom (V)	Max (V)	Nom - Min (v)	Max - Nom (V)	Largest (V)	Max value (V)
2281S-20-6	20	3							0.0045

DC voltage load regulation

Model number	Min (V)	Nom (V)	Max (V)	Nom - Min (V)	Max - Nom (V)	Largest (V)	Max value (V)
2281S-20-6							0.007

DC overvoltage protection

Model number	OVP setting voltage (V)	Min (V)	Max (V)	Measured voltage (V)
10 % OVP setting				
2281S-20-6	2	1.745	2.255	
25 % OVP setting				
2281S-20-6	5	4.7375	5.2625	
50 % OVP setting				
2281S-20-6	10	9.725	10.275	
75 % OVP setting				
2281S-20-6	15	14.7125	15.2875	
90 % OVP setting				
2281S-20-6	18	17.705	18.295	

Sink current capability

Model number	DUT voltage (V)	Test current (A)	Min (A)	Max (A)	Measured current (A)
2281S-20-6	20		-0.92	-1.12	

Sink current readback accuracy (1 A range)

Model number	Test current (A)	Measured current (A)	DUT readback (A)	Absolute difference (mA)	Maximum difference (mA)
10 % test current					
2281S-20-6	0.1				0.29
50 % test current					
2281S-20-6	0.5				0.45
100 % test current					
2281S-20-6	1				0.65

Sink current readback accuracy (10 mA range)

Model number	Test current (mA)	Measured current (mA)	DUT readback (mA)	Absolute difference (mA)	Maximum difference (μ A)
10 % test current (10 mA)					
2281S-20-6	1				10.4
50 % test current (10 mA)					
2281S-20-6	5				12
100 % test current (10 mA)					
2281S-20-6	10				14

Sink current readback accuracy (100 mA range)

Model number	Test current (mA)	Measured current (mA)	DUT readback (mA)	Absolute difference (mA)	Maximum difference (μ A)
10 % test current (100 mA)					
2281S-20-6	10				14
50 % test current (100 mA)					
2281S-20-6	50				30
100 % test current (100 mA)					
2281S-20-6	100				50

DC current accuracy

Model number	DUT voltage (V)	Test current (A)	Min (A)	Max (A)	Measured current (A)
0 % test current					
2281S-20-6	10	0	-0.005	0.005	
25 % test current					
2281S-20-6	10	1.5	1.494925	1.505075	
50 % test current					
2281S-20-6	10	3	2.9935	3.0065	
75 % test current					
2281S-20-6	10	4.5	4.49275	4.50725	
100 % test current					
2281S-20-6	10	6	5.992	6.008	

DC current readback accuracy (10 A range)

Model number	Test current (A)	Measured current (A)	DUT readback (A)	Absolute difference (mA)	Maximum difference (mA)
0 % test current					
2281S-20-6	0				0.25
10 % test current					
2281S-20-6	0.6				0.49
50 % test current					
2281S-20-6	3				1.45
100 % test current					
2281S-20-6	6				2.65

DC current readback accuracy (1 A range)

Model number	Test current (A)	Measured current (A)	DUT readback (A)	Absolute difference (mA)	Maximum difference (mA)
0 % test current					
2281S-20-6	0				0.25
10 % test current					
2281S-20-6	0.1				0.29
50 % test current					
2281S-20-6	0.5				0.45
100 % test current					
2281S-20-6	1				0.65

DC current readback accuracy (10 mA range)

Model number	Test current (mA)	Measured current (mA)	DUT readback (mA)	Absolute difference (mA)	Maximum difference (μ A)
0 % test current (10 mA)					
2281S-20-6	0				10
10 % test current (10 mA)					
2281S-20-6	1				10.4
50 % test current (10 mA)					
2281S-20-6	5				12
100 % test current (10 mA)					
2281S-20-6	10				14

DC current readback accuracy (100 mA range)

Model number	Test current (mA)	Measured current (mA)	DUT readback (mA)	Absolute difference (mA)	Maximum difference (μ A)
0 % test current (100 mA)					
2281S-20-6	0				10
10 % test current (100 mA)					
2281S-20-6	10				14
50 % test current (100 mA)					
2281S-20-6	50				30
100 % test current (100 mA)					
2281S-20-6	100				50

DC current line regulation

Model number	DUT voltage (V)	Test current (A)	Min (A)	Nom (A)	Max (A)	Nom - Min (mA)	Max - Nom (mA)	Largest (mA)	Max value (mA)
2281S-20-6	10	6							0.60025

DC current load regulation

Model number	Min (A)	Nom (A)	Max (A)	Nom - Min (A)	Max - Nom (A)	Largest (A)	Max value (A)
2281S-20-6							0.0006

DC overcurrent protection

Model number	OCP setting value (A)	Min (A)	Max (A)	Measured current (A)
10 % OCP setting				
2281S-20-6	0.6	0.4985	0.7015	
25 % OCP setting				
2281S-20-6	1.5	1.39625	1.60375	
50 % OCP setting				
2281S-20-6	3	2.8925	3.1075	
75 % OCP setting				
2281S-20-6	4.5	4.38875	4.61125	
90 % OCP setting				
2281S-20-6	5.4	5.2865	5.5135	

Voltage noise at 20 MHz

Model number	DUT current (A)	DUT voltage (V)	Max (mV)	Measured voltage (mV)
20 MHz voltage ripple RMS				
2281S-20-6	3	20	1	
20 MHz voltage ripple PKPK				
2281S-20-6	3	20	6	

Current noise at 20 MHz

Model number	DUT current (A)	DUT voltage (V)	Max (mA)	Measured voltage (mA)
20 MHz current ripple RMS				
2281S-20-6	6	20	3	

Performance verification procedures

Use the procedures in this topic to verify the performance of the 2281S-20-6 instruments.

Performance verification conditions

The following conditions must be met before performing these procedures:

1. The device under test (DUT) and all test equipment must have been operating continuously for 20 minutes in an environment that meets the operating range specifications for temperature and humidity.
2. Changes to the test setup that affect the remote sense require an additional 20 minute warm-up period.
3. The procedures are intended to be used in sequence. If it is necessary to partially test the DUT using an individual test, a 20 minute warm-up period is required for the individual test.
4. You must connect the DUT and the test equipment to the same AC power circuit. Connect the DUT and test instruments into a common power strip if you are unsure of the AC power circuit distribution. Connecting the DUT and test instruments into separate AC power circuits can result in offset voltages between the equipment, which can invalidate this performance verification procedure.
5. The AC power source for the DUT must match the voltage selector switch setting located on the bottom of the DUT.

DUT voltage selector switch	AC source voltage
100	100 V
120	120 V
220	220 V
240	240 V

WARNING

Some procedures use hazardous voltages. To prevent electrical shock, always power off instruments before touching exposed circuitry. Read and follow the precautions in the [Safety Precaution](#) (on page 1-1).

Required equipment

These procedures use external equipment to directly check warranted characteristics. The following table lists the required equipment.

Equipment	Required specifications	Recommended model
Connectors	Connect wire assemblies and test resistors.	
Linear AC power source	Variable AC output from 90 V AC to 265 V AC with at least 750 VA capacity.	
Electronic load	Variable DC load capable of 6 A and 75 V DC	
DC voltmeter	7½ high accuracy voltmeter	Keithley 2001/2002
High current hook up wire	18 AWG minimum connection wires	
Low current hook up wire	22 AWG minimum connection wires	
50 mΩ precision shunt resistor	50 mΩ precision shunt with 5 ppm at 25 °C ±4 ppm/°C temperature coefficient	Isotek Corp RUG-Z-R050-0.1-TK1
5 Ω precision shunt resistor	5 Ω precision shunt with 25 ppm at 25 °C ±4 ppm/°C temperature coefficient	Isotek Corp RUG-Z-5R00-0.1-TK1
Current sense resistor cabling	Kelvin 4 terminal measuring cables from shunt resistor to voltmeter	
150 Ω resistor	Power rating > 5 W	

Check DC voltage setting readback accuracy with remote sense

Equipment required

AC power source	High-current 18 AWG wire
Electronic load	Low-current 22 AWG wire
DC voltmeter	0.3 Ω resistors

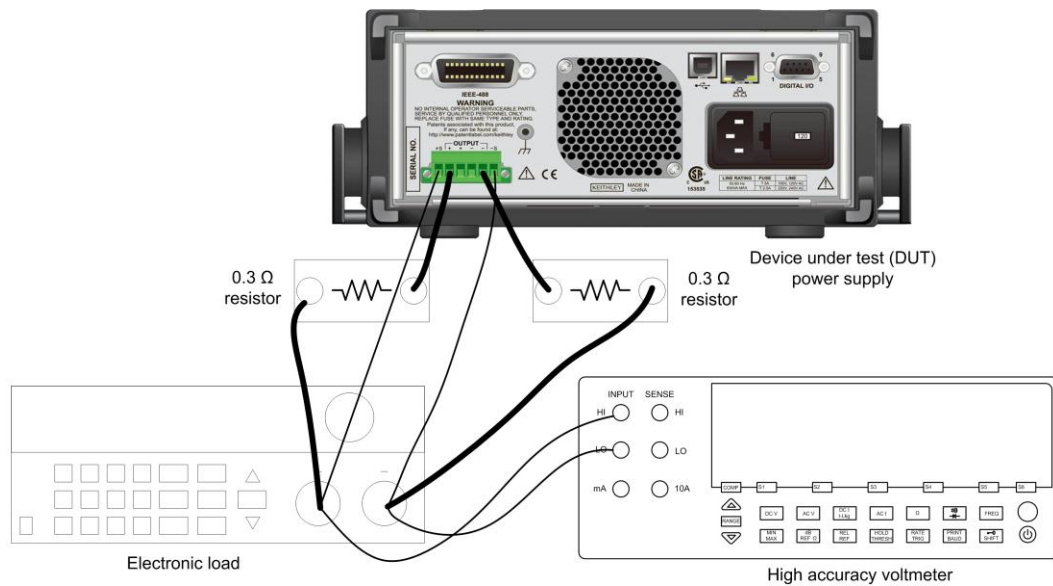
1. Power off the device under test (DUT).
2. Remove the shorting jumpers (that connect the output terminals to the sense terminals) from the output mating connector on the rear panel.
3. Set up the equipment, as shown in the following figure.

NOTE

To assure accurate measurements, it is important that a significant amount of current does not flow through the sense leads. For this reason, we recommend that the wiring of the remote sense and the voltmeter be located physically away from the high-current connections between the electronic load and the DUT.

A solution is to use a pair of fork lugs with all three wires crimped in. Another alternative is to use a fork lug between the DUT and the load, and separate connections (using fork lugs) holding the wiring for one or both of the voltmeter and remote sense. A third alternative is to stack banana jacks at the voltmeter, with the remote sense toward the voltmeter, and the two high-current connections on the outside.

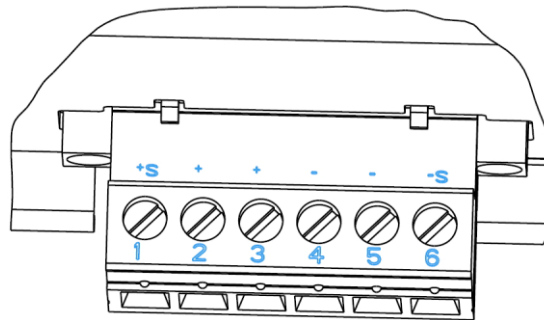
Figure 129: DC voltage accuracy with remote sense test setup



4. Power on the DUT. Ensure the warm-up criteria have been met, as described in the [Performance verification conditions](#) (on page B-9).
5. Set the voltmeter as follows:
 - a. Set to measure DC volts.
 - b. Set the current range to auto range.
6. Set the electronic load as follows:
 - a. Set to Constant Current.
 - b. Set to draw a constant current at the test current specified for the DUT in the DC voltage setting accuracy with remote sense table.
7. Set the DUT to the full scale output current.
8. Set the DUT to 0 percent of the full scale output voltage (0 V).

9. Turn the DUT output on.
10. Enter the voltmeter reading in the DC voltage setting accuracy with remote sense and the DC voltage readback accuracy with remote sense tables.
11. Enter the DUT readback voltage in the DC voltage readback accuracy with remote sense table.
12. Calculate the difference of the two measurements taken in step 10 and step 11 and enter the absolute value in the difference column of the DC voltage readback accuracy with remote sense table.
13. Increase the DUT output voltage by 25 percent of the full scale output voltage.
14. Repeat step 10 and step 11 until you complete testing at 100 percent of the full scale output voltage.
15. Power off the DUT.
16. Disconnect the wires from the remote sense connector and reinstall the shorting jumpers between the output terminals and sense terminals, as shown in the following figure. One jumper goes in terminals 1 and 2 and the other goes in terminals 5 and 6.

Figure 130: Connector terminals



⚠ CAUTION

The jumper cables must be installed if you are going to use 2-wire connections. Even if you are using the front-panel connectors, the output mating connector (with jumper wires installed) must be connected to the 2281S-20-6 rear-panel output connector to ensure proper instrument performance.

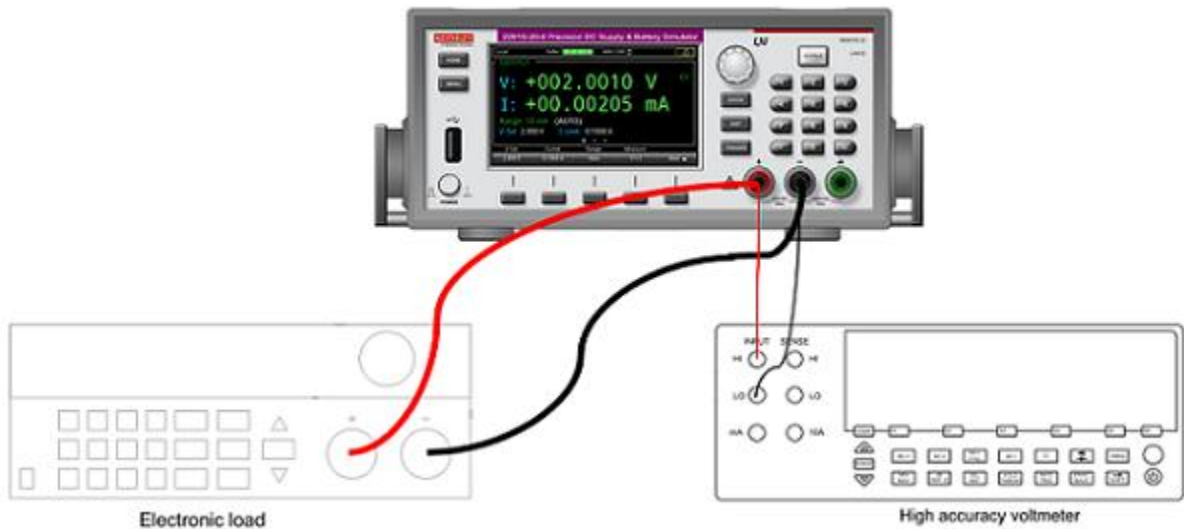
17. Power on the DUT.

Check DC voltage setting accuracy without remote sense

Equipment required	
AC power source	High-current 18 AWG wire
Electronic load	Low-current 22 AWG wire
DC voltmeter	

1. Set up the equipment, as shown in the following figure.

Figure 131: Voltage accuracy and protection test setup

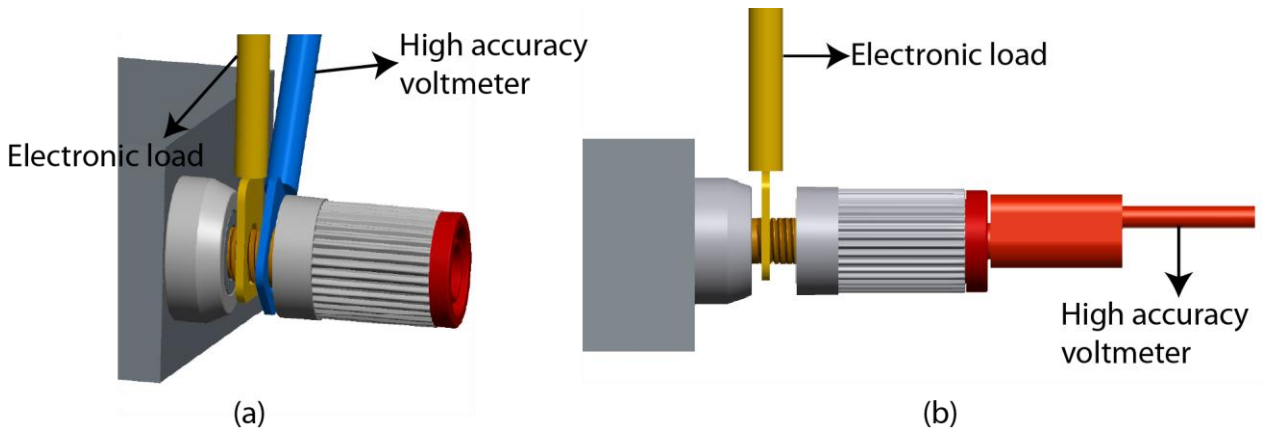


NOTE

Ensure the warm-up criteria have been met, as described in the [Performance verification conditions](#) (on page B-9).

To assure accurate measurements, the voltmeter must be connected as closely as possible to the front panel of the device under test (DUT). A solution is to use fork spade terminals between the electronic load and the DUT, and banana plugs between the DUT and voltmeter. An alternative solution is to use fork spade terminals for both connections at the DUT. For details, see the following figure.

Figure 132: Electronic load and voltmeter connections



2. Set the voltmeter as follows:
 - a. Set to measure DC volts.
 - b. Set the current range to auto range.
3. Set the electronic load as follows:
 - a. Set to constant current (CC) mode.
 - b. Set to draw a constant current at the test current specified for the DUT in the DC voltage setting accuracy without remote sense table.
4. Set the DUT to the full scale output current.
5. Set the DUT to 0 percent of the full scale output voltage (0 V).
6. Turn the DUT output on.
7. Enter the voltmeter reading in the DC voltage setting accuracy without remote sense table.
8. Increase the DUT output voltage by 25 percent of the full scale output voltage.
9. Repeat steps 5 through 8 until you complete testing at 100 percent of full scale output voltage.

NOTE

Ensure the warm-up criteria have been met, as described in the [Performance verification conditions](#) (on page B-9).

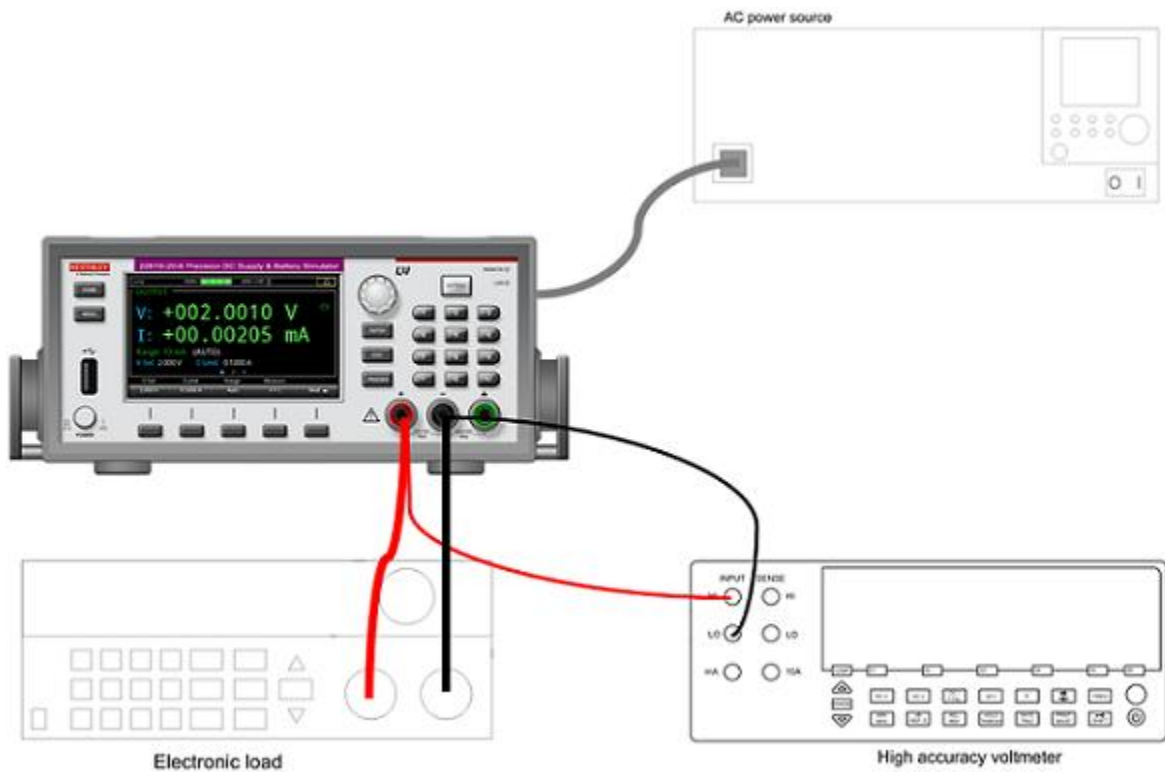
To assure accurate measurements, connect the voltmeter as closely as possible to the front panel of the DUT. A solution is to use fork spade terminals between the electronic load and the DUT, and banana plugs between the DUT and voltmeter. An alternative solution is to use fork spade terminals for both connections at the DUT.

2. Set the voltmeter as follows:
 - a. Set to measure DC volts.
 - b. Set the current range to auto range.
 - c. Verify that the Math $mx + b$ function is disabled (shift DCV), assuring that volts are being read.
3. Set the DUT to the full scale output current.
4. Set the DUT to 0 percent of the full scale output voltage (0 V).
5. Turn the DUT output on.
6. Enter the voltmeter reading in the DC voltage readback accuracy without remote sense table.
7. Enter the DUT readback voltage in the DC voltage readback accuracy without remote sense table.
8. Calculate the difference of the two measurements taken in step 6 and step 7 and enter the absolute value in the difference column of the DC voltage readback accuracy without remote sense table.
9. Increase the DUT output voltage by 25 percent of the full scale output voltage.
10. Repeat steps 4 through 9 until you complete testing at 100 percent of full scale output voltage.

Check DC voltage line regulation

1. Set up the equipment, as shown in the following figure.

Figure 134: Voltage line regulation test setup



2. Change the AC power source output to the minimum voltage specified in the following table.

DUT voltage selector switch	AC source voltage
100	90 V
120	108 V
220	198 V
240	216 V

NOTE

Ensure the warm-up criteria have been met, as described in the [Performance verification conditions](#) (on page B-9).

3. Set the voltmeter as follows:
 - a. Set to measure DC volts.
 - b. Set the current range to auto range.
 - c. Verify that the Math mx+b function is disabled (shift DCV), assuring that volts are being read.
4. Set the electronic load as follows:
 - a. Set to constant current (CC) mode.
 - b. Set to draw the specified test current.

Model	Test current
2281S-20-6	3 A

5. Set the device under test (DUT) to 100 percent of the full scale output current.
6. Set the DUT to 100 percent of the full scale output voltage.
7. Turn the DUT output on.
8. Enter the voltmeter reading in the DC voltage line regulation table under the Min column for your product.
9. Change the AC power source output to the maximum voltage specified in the following table.

DUT voltage selector switch	AC source voltage
100	110 V
120	132 V
220	242 V
240	264 V

10. Enter the voltmeter reading in the DC voltage line regulation table under the Max column for your product.
11. Change the AC power source output to match the Voltage Selector switch setting of the DUT, as shown in the following table.

DUT voltage selector switch	AC source voltage
100	100 V
120	120 V
220	220 V
240	240 V

12. Enter the voltmeter reading in the DC voltage line regulation table under the Nom column for your product.
13. Calculate the two values: Nom – Min and Max – Nom. Enter the values in the appropriate columns in the DC voltage line regulation table.
14. Enter the largest of the two values calculated in step 12 in the Largest column in the DC voltage line regulation table.

Check DC voltage load regulation

This procedure uses the same test setup as the previous procedure (see Check DC voltage setting accuracy without remote sense).

NOTE

Ensure the warm-up criteria have been met, as described in the [Performance verification conditions](#) (on page B-9).

1. Set the voltmeter as follows:
 - a. Set to measure DC volts.
 - b. Set the current range to auto range.
 - c. Verify that the Math $mx + b$ function is disabled, assuring that volts are being read.
2. Set the electronic load as follows:
 - a. Set to constant current (CC) mode.
 - b. Set to draw 0 A.
3. Set the device under test (DUT) to 100 percent of the full scale output current.
4. Set the DUT to 100 percent of the full scale output voltage.
5. Turn the DUT output on.
6. Enter the voltmeter reading in the DC voltage load regulation table under the Min column for your product.
7. Increase the electronic load to the reference load test current value.

Instrument	Test current
2281S-20-6	3 A

8. Enter the voltmeter reading in the DC voltage load regulation table under the reference load column for your product.
9. Increase the electronic load to the maximum load test current value.

Instrument	Test current
2281S-20-6	5.4 A

10. Enter the voltmeter reading in the DC voltage load regulation table under the Nom column for your product.
11. Calculate the following values: $Nom - Min$ and $Max - Nom$. Enter the values in the appropriate columns in the DC voltage load regulation table.
12. Enter the largest of the three values calculated in step 11 in the Largest column in the DC voltage load regulation table.

Check DC overvoltage protection

This procedure uses the same test setup as the previous procedure (see Check DC voltage setting accuracy without remote sense).

NOTE

Ensure the warm-up criteria have been met, as described in the [Performance verification conditions](#) (on page B-9).

1. Set the voltmeter as follows:
 - a. Set to measure DC volts.
 - b. Set the current range to auto range.
 - c. Verify that the Math mx+b function is disabled (shift DCV), assuring that volts are being read.
2. Set the electronic load as follows:
 - a. Set to Constant Current.
 - b. Set to draw 1 A.
3. Set the DUT to 100 percent of the full scale output current.
4. Set the overvoltage protection (OVP) threshold to 10 percent of full scale output voltage.
5. Set DUT output voltage 0.5 V lower than the OVP threshold and turn the DUT output ON.
6. Increase the DUT output voltage slowly by 0.01 V one step at a time until OVP is triggered. When triggered, the output voltage abruptly drops below 1 V and an OVP error is indicated on the display.
7. Enter the voltmeter reading (where OVP triggering occurred) in the DC overvoltage protection table.
8. Reset OVP. Press the Enter key to clear the OVP error.
9. Set the OVP threshold to 25 percent of full scale output voltage and repeat step 5 through step 7.
10. Set the OVP threshold to 50 percent of full scale output voltage and repeat step 5 through step 7.
11. Set the OVP threshold to 75 percent of full scale output voltage and repeat step 5 through step 7.
12. Set the OVP threshold to 90 percent of full scale output voltage and repeat step 5 through step 7.

Check sink current capability

Equipment required

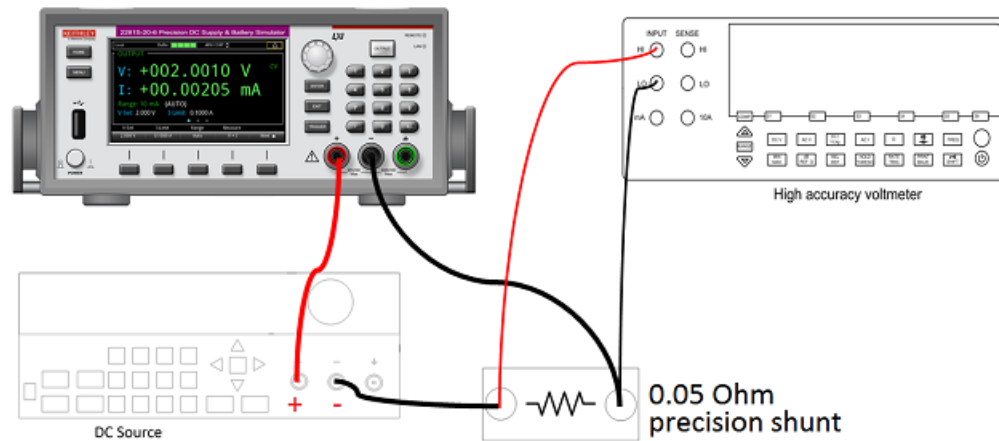
AC power source	High current 18 AWG wire
Electronic load	High accuracy 0.05 Ω resistor
DC voltmeter	Current shunt resistor cabling
DC source	Programmable DC power source, low noise, can work at constant current mode, output capability higher than 20 V and 1.5 A

1. Set up the equipment, as shown in the following figure.

NOTE

Ensure the warm-up criteria have been met, as described in [Performance verification conditions](#) (on page B-9).

Figure 135: Sink current capability test setup



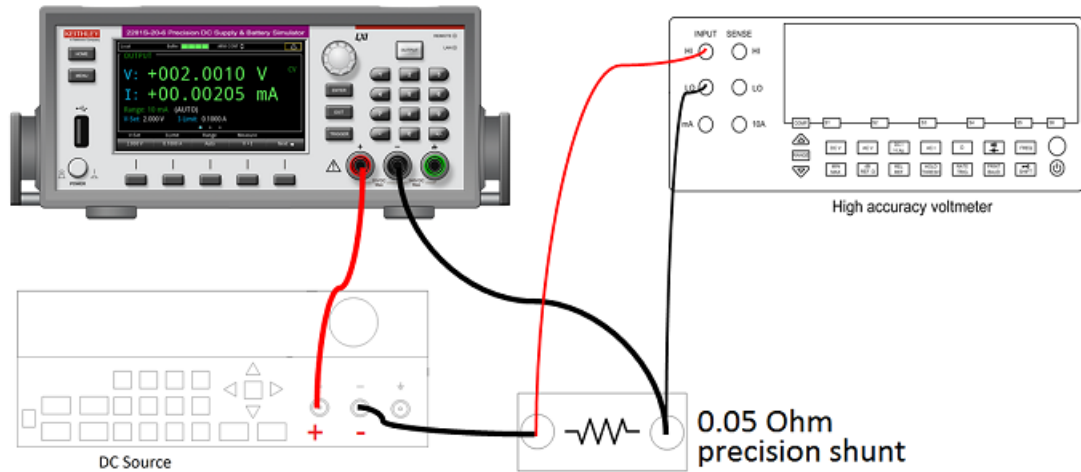
2. Set the voltmeter as follows:
 - a. Set to measure DC volts.
 - b. Set the current range to auto range.
 - c. Calculate the amperes (instead of volt) by multiplying the voltmeter reading result by 20 ($1/R_{Shunt}$).
3. Check the current readback accuracy on 1 A range.
4. Set the DUT output voltage to 0 V.
5. Set the output voltage of the DC source to 20V , set the DC source current to 1.5A
6. Turn the DUT output on, warm up for 1 minute.
7. Enter the voltmeter reading in the table [Sink current capability](#) (on page B-4).

Check sink current readback accuracy (1 A range)

Equipment required	
AC power source	High current 18 AWG wire
DC voltmeter	High accuracy 0.05 Ω shunt
Current shunt resistor	
cabling	

1. Set up the equipment, as shown in the following figure.

Figure 136: Sink current readback accuracy (1 A) range test setup



NOTE

Ensure the warm-up criteria have been met, as described in the [Performance verification conditions](#) (on page B-9).

2. Set the voltmeter as follows:
 - a. Set to measure DC volts.
 - b. Set the current range to auto range.
 - c. Calculate the amperes (instead of volts) by multiplying the voltmeter reading result by $1/(R1)$, where R1 represents the high-accuracy 0.05Ω shunt.
3. Check the current readback accuracy on the 1 A range.
4. Set the DUT output voltage to 0 V.
5. Set the output voltage of the DC source to 20V, set the DC source current to 10 % of the test current. See the following table.

Equipment	10 % test current (A)	50 % test current (A)	100 % test current (A)
DC source	0.1	0.5	1

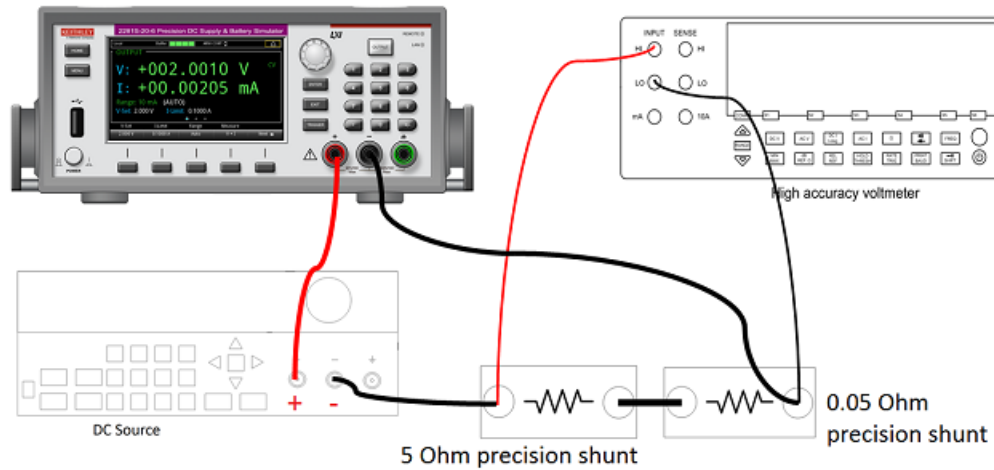
6. Turn the DUT output on.
7. Enter the voltmeter reading/ $(R1 + R2)$ in the DC current readback accuracy table.
8. Enter the DUT current readout in the DC current readback accuracy table under the current readout column.
9. Calculate the difference of the two measurements taken in steps 7 and 8. Enter the absolute value of the calculated value in the difference column of the DC current readback accuracy table.
10. Increase the DUT output current to 50 percent of full scale output current and repeat step 6 through step 9.
11. Increase the DUT output current to 100 percent of full scale output current and repeat step 6 through step 9.

Check Sink current readback accuracy (100 mA and 10 mA ranges)

Equipment required	
AC power source	High current 18 AWG wire
300 Ω load resistor	High accuracy 0.05 Ω shunt and 5 Ω shunt
DC voltmeter	Current shunt resistor cabling

1. Set up the equipment, as shown in the following figure.

Figure 137: Sink current readback accuracy (100 mA and 10 mA ranges) test setup



NOTE

Ensure the warm-up criteria have been met, as described in the [Performance verification conditions](#) (on page B-9).

2. Set the voltmeter as follows:
 - a. Set to measure DC volts.
 - b. Set the current range to auto range.
 - c. Calculate the amperes (instead of volts) by multiplying the voltmeter reading result by $1/(R1+R2)$, where R1 and R2 separately represent the high-accuracy 0.05 Ω shunt and 5 Ω shunt.
3. Check the current readback accuracy on the 100 mA range.
4. Set the DUT output voltage to 0 V.
5. Set the output voltage of the DC source to 20V, set the DC source current to 10 % of the test current. See the following table.

Equipment	Range	10 % test current (mA)	50 % test current (mA)	100 % test current (mA)
DC source	100 mA	10	50	100
	10 mA	1	5	10

6. Turn the DUT output on.
7. Enter the voltmeter reading/ $(R1 + R2)$ in the DC current readback accuracy table.
8. Enter the DUT current readout in the DC current readback accuracy table under the current readout column.
9. Calculate the difference of the two measurements taken in steps 7 and 8. Enter the absolute value of the calculated value in the difference column of the DC current readback accuracy table.
10. Increase the DUT output current to 50 percent of full scale output current and repeat step 6 through step 9.
11. Increase the DUT output current to 100 percent of full scale output current and repeat step 6 through step 9.
12. Repeat step 3 through step 12 to check current readback accuracy on the 10 mA range.

Check DC current accuracy

Equipment required

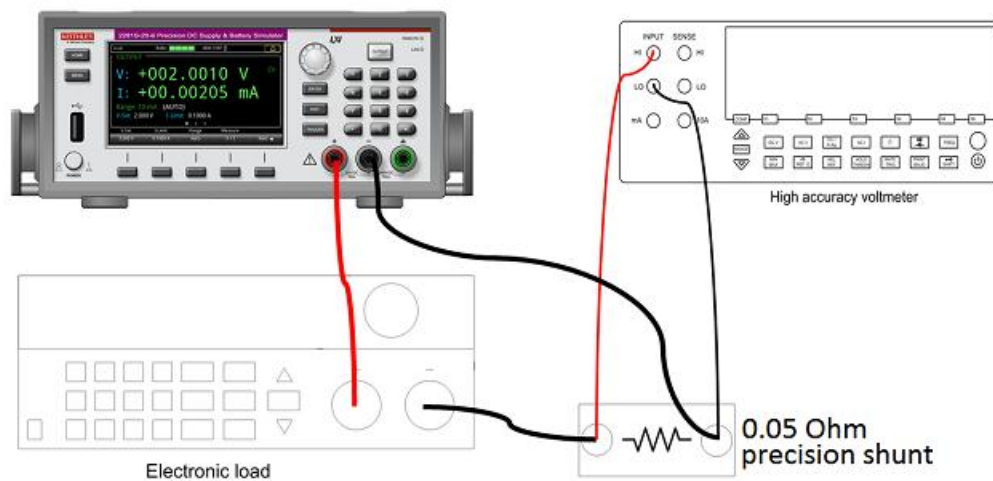
AC power source	High current 18 AWG wire
Electronic load	High accuracy 0.05 Ω resistor
DC voltmeter	Current shunt resistor cabling

1. Set up the equipment, as shown in the following figure.

NOTE

Ensure the warm-up criteria have been met, as described in [Performance verification conditions](#) (on page B-9).

Figure 138: DC current accuracy test setup



2. Set the voltmeter as follows:
 - a. Set to measure DC volts.
 - b. Set the current range to auto range.
 - c. Calculate the amperes (instead of volts) by multiplying the voltmeter reading result by 20 ($1/R_{\text{shunt}}$).
3. Set the electronic load as follows:
 - a. Set to Constant Voltage.
 - b. Set to the specified voltage for your DUT (see DC current accuracy).
4. Set the DUT to 0 percent of the full scale output current.
5. Set the DUT to 25 percent of the full scale output voltage.
6. Turn the DUT output on.
7. Enter the voltmeter reading in the DC current accuracy table.
8. Set the DUT output current to 50 percent of full scale output current and repeat step 7.
9. Set the DUT output current to 75 percent of full scale output current and repeat step 7.
10. Set the DUT output current to 100 percent of full scale output current and repeat step 7.

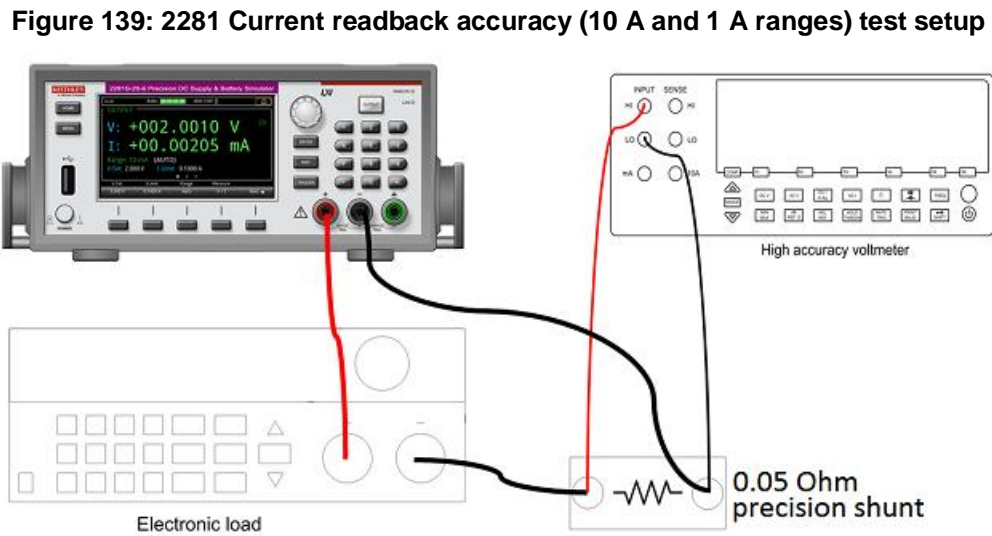
Check DC current readback accuracy (10 A and 1 A ranges)

Equipment required

AC power source	High current 18 AWG wire
DC voltmeter	High accuracy 0.05 Ω shunt
Current shunt resistor	
cabling	

The 2281S-20-6 has the following ranges to verify: 10 A, 1 A, 100 mA, and 10 mA range. Follow the procedures described below to check the current readback accuracy on 10 A and 1 A range. For other ranges, refer to Check DC current readback accuracy (100 mA and 10 mA ranges).

1. Set up the equipment, as shown in the following figure.



NOTE

Ensure the warm-up criteria have been met, as described in the [Performance verification conditions](#) (on page B-9).

2. Set the voltmeter as follows:
 - a. Set to measure DC volts.
 - b. Set the current range to auto range.
 - c. Calculate the amperes (instead of volts) by multiplying the voltmeter reading result by $1/(R1)$, where R1 represents the high-accuracy 0.05Ω shunt.
3. Check the current readback accuracy on the 10 A range.
4. Set the device under test (DUT) to 100 percent of the full scale output voltage.
5. Set the DUT to 0 percent of the test current. See the following table.

Model	Range	0 % test current (A)	10 % test current (A)	50 % test current (A)	100 % test current (A)
2281S-20-6	10 A	0	0.32	1.6	6
	1 A	0	0.1	0.5	1

6. Turn the DUT output on.
7. Enter the voltmeter reading/ $(R1 + R2)$ in the DC current readback accuracy table.
8. Enter the DUT current readout in the DC current readback accuracy table under the current readout column.
9. Calculate the difference of the two measurements taken in steps 7 and 8. Enter the absolute value of the calculated value in the difference column of the DC current readback accuracy table.
10. Increase the DUT output current to 10 percent of full scale output current and repeat step 6 through step 9.
11. Increase the DUT output current to 50 percent of full scale output current and repeat step 6 through step 9.
12. Increase the DUT output current to 100 percent of full scale output current and repeat step 6 through step 9.
13. Repeat steps 3 through 12 to check current readback accuracy on 1 A range.

Check DC current readback accuracy (100 mA and 10 mA ranges)

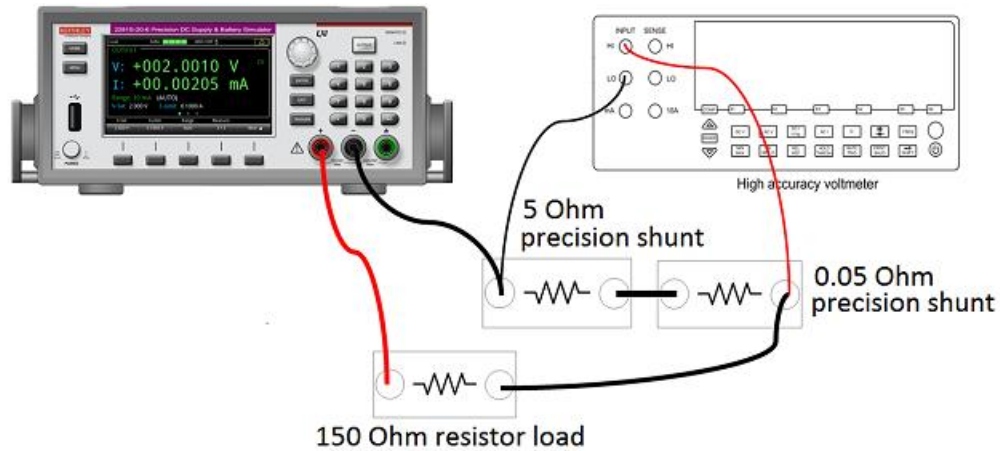
Equipment required

AC power source	High current 18 AWG wire
300 Ω load resistor	High accuracy 0.05Ω shunt and 5Ω shunt
DC voltmeter	Current shunt resistor cabling

The 2281S-20-6 has the following ranges to verify: 10 A, 1 A, 100 mA, and 10 mA. Follow the procedures described below to check the current readback accuracy on 100 mA and 10 mA range. For other ranges, refer to Check DC current readback accuracy (10 A and 1 A ranges).

1. Set up the equipment, as shown in the following figure.

Figure 140: Current readback accuracy (100 mA and 10 mA ranges) test setup



NOTE

Ensure the warm-up criteria have been met, as described in the [Performance verification conditions](#) (on page B-9).

2. Set the voltmeter as follows:
 - a. Set to measure DC volts.
 - b. Set the current range to auto range.
 - c. Calculate the amperes (instead of volts) by multiplying the voltmeter reading result by $1/(R1+R2)$, where R1 and R2 separately represent the high-accuracy 0.05 Ω shunt and 5 Ω shunt.
3. Check the current readback accuracy on the 100 mA range.
4. Set the device under test (DUT) to 100 percent of the full scale output voltage.
5. Set the DUT to 0 percent of the test current. See the following table.

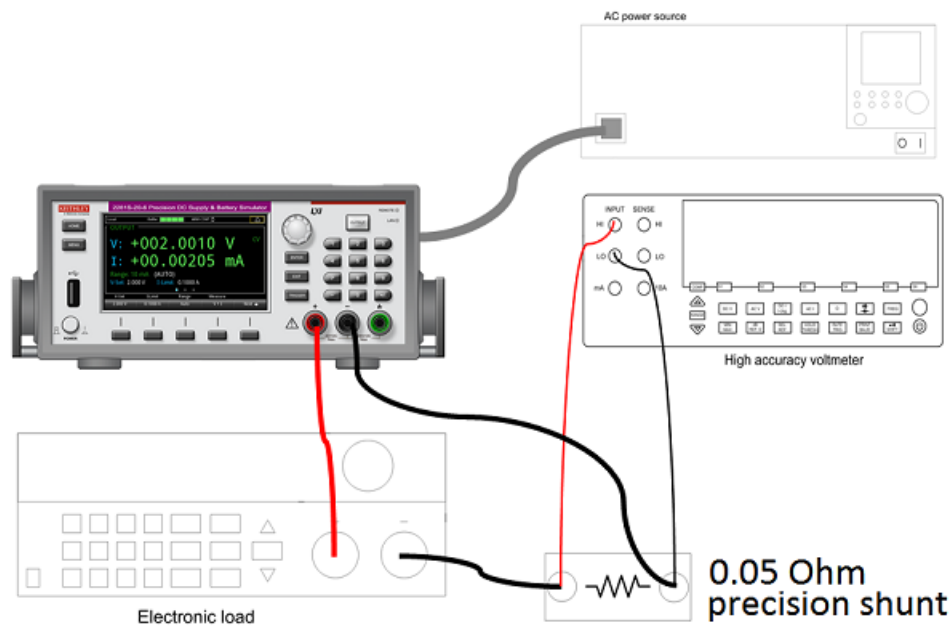
Model	Range	0 % test current (mA)	10 % test current (mA)	50 % test current (mA)	100 % test current (mA)
2281S-20-6	100 mA	0	10	50	100
	10 mA	0	1	5	10

6. Turn the DUT output on.
7. Enter the voltmeter reading/ $(R1 + R2)$ in the DC current readback accuracy table.
8. Enter the DUT current readout in the DC current readback accuracy table under the current readout column.
9. Calculate the difference of the two measurements taken in steps 7 and 8. Enter the absolute value of the calculated value in the difference column of the DC current readback accuracy table.
10. Increase the DUT output current to 10 percent of full scale output current and repeat step 6 through step 9.
11. Increase the DUT output current to 50 percent of full scale output current and repeat step 6 through step 9.
12. Increase the DUT output current to 100 percent of full scale output current and repeat step 6 through step 9.
13. Repeat step 3 through step 12 to check current readback accuracy on the 10 mA range.

Check DC current line regulation

1. Set up the equipment, as shown in the following figure.

Figure 141: Current line regulation test setup



2. Change the AC power source output to the minimum voltage specified in the following table.

DUT voltage selector switch	AC power source voltage
100	90 V
120	108 V
220	198 V
240	216 V

NOTE

Ensure the warm-up criteria have been met, as described in the [Performance verification conditions](#) (on page B-9).

3. Set the voltmeter as follows:
 - a. Set to measure DC volts.
 - b. Set the current range to auto range.
 - c. Calculate the amperes (instead of volts) by multiplying the voltmeter reading result by 1/R.
4. Set the electronic load as follows:
 - a. Set to Constant Voltage.
 - b. Set to the specified voltage for your device under test (DUT) (see DC current line regulation).
5. Set the device under test DUT to 0 percent of the full scale output voltage.
6. Set the DUT to 100 percent of the full scale output current.
7. Turn the DUT output on.
8. Enter the voltmeter reading in the DC current line regulation table.
9. Change the AC power source output to the voltage specified in the following table.

DUT voltage selector switch	AC power source voltage
100	110 V
120	132 V
220	242 V
240	264 V

10. Enter the voltmeter reading in the Max line for your product in the DC current line regulation table.
11. Change the AC power source output to the voltage specified in the following table.

DUT voltage selector switch	AC power source voltage
100	100 V
120	120 V
220	220 V
240	240 V

12. Enter the voltmeter reading in the Nom column for your product in the DC current line regulation table.
13. Calculate the two values: Nom – Min and Max – Nom. Enter the values in the appropriate columns in the DC current line regulation table.
14. Select the largest of the two calculations from step 12 and enter the value in the Largest column in the DC current line regulation table.
15. Turn the DUT output off.

Check DC current load regulation

This procedure uses the same test setup as the previous procedure (see Check DC current readback accuracy (10 A and 1 A ranges)).

1. Set the voltmeter as follows:
 - a. Set to measure DC volts.
 - b. Set the current range to auto range.
 - c. Calculate the amperes (instead of volts) by multiplying the voltmeter reading result by 1/R.
2. Set the electronic load as follows:
 - a. Set to Constant Voltage.
 - b. Set to the minimum test voltage level in the following table.

Instrument	Test voltage
2281S-20-6	2 V

3. Set the device under test (DUT) to 100 percent of the full scale output current for your product.
4. Set the DUT to 100 percent of the full scale output voltage for your product.
5. Turn the DUT output on.
6. Enter the voltmeter reading in the DC current load regulation table for checking current load regulation at the minimum voltage for your product.
7. Increase the electronic load to the reference test voltage level.

Instrument	Test voltage
2281S-20-6	10 V

8. Enter the voltmeter reading in the DC current load regulation table for checking current load regulation at the reference test voltage for your product.
9. Increase the electronic load to the maximum test voltage level.

Instrument	Test voltage
2281S-20-6	18 V

10. Enter the voltmeter reading in the DC current load regulation table for checking current load regulation at the maximum voltage for your product.
11. Calculate the two values: Ref – Min and Max – Ref. Enter the values in the appropriate columns in the DC current load regulation table.
12. Power off the DUT and test equipment.

Check overcurrent protection

This procedure uses the same test setup as the previous [Check DC overvoltage protection](#) (on page B-20).

NOTE

Ensure the warm-up criteria have been met, as described in the [Performance verification conditions](#) (on page B-9).

1. Set the voltmeter as follows:
 - a. Set to measure DC volts.
 - b. Set the current range to auto range.
2. Set the electronic load as follows:
 - a. Set to constant voltage (CV) mode.
3. Set the device under test (DUT) to 100 percent of the full scale output voltage.
4. Set the overcurrent protection (OCP) threshold to 10 percent of full scale output current.
5. Turn the DUT output on.
6. Set DUT current to OCP -0.3 A and then slowly increase the DUT current by 0.01 A step by step until OCP is triggered. When triggered, the output voltage abruptly drops below 1 V, and an OCP error is indicated on the display.
7. Enter the current number reading (where OCP triggering occurred) in the DC overcurrent protection table for checking DC overcurrent detection.
8. Reset OCP. Press the Enter key to clear the OCP error.
9. Set the OCP threshold to 25 percent of full scale output current and repeat step 5 through step 8.
10. Set the OCP threshold to 50 percent of full scale output current and repeat step 5 through step 8.
11. Set the OCP threshold to 75 percent of full scale output current and repeat step 5 through step 8.
12. Set the OCP threshold to 90 percent of full scale output current and repeat step 5 through step 8.

Check voltage noise (20 MHz)

Equipment required	
Oscilloscope	High current 18 AWG wire
Electronic load	Coaxial cable (BNC M-M)
BNC F-to-Banana cable	

1. Plug the device under test (DUT) into your local line power from the mains.
2. Plug the test oscilloscope into the same mains outlet as the DUT.

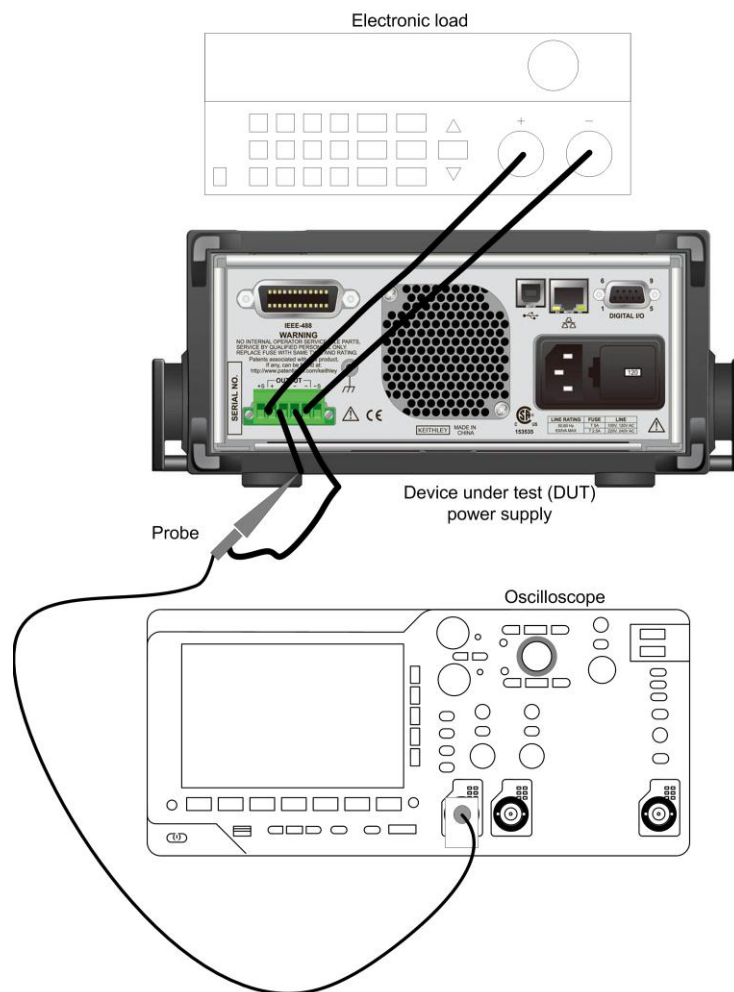
NOTE

Some AC power sources create large amounts of high frequency noise on the power line that the instrument may not fully reject. Noise directly on the mains is typically better controlled.

Use the same mains outlet for both the DUT and test oscilloscope to avoid ground loops which may cause noise.

3. Power on the DUT and test oscilloscope.
4. Set up the equipment, as shown in the following figure.

Figure 142: 20 MHz voltage and current noise test setup



5. Set the oscilloscope as follows:
 - 1 mV/division
 - 1 MΩ input resistance
 - 20 MHz bandwidth limit
 - AC coupled
 - Autotrigger
 - 1 ms/div
 - Set to measure V_{p-p} and V_{RMS}
6. Set the DUT to the 100 percent full scale output voltage.
7. Set the DUT to the 100 percent full scale output current.
8. Turn the DUT output on.
9. Enter the oscilloscope measurements in the [Voltage noise at 20 MHz](#) (on page B-8) table for checking noise at 20 MHz.

Check current noise (20 MHz)

Equipment required	
Oscilloscope	High current 18 AWG wire
Electronic Load	Coaxial cable (BNC M-M)
BNC F-to-Banana	

1. Plug the device under test (DUT) into your local line power from the mains.
2. Plug the test oscilloscope into the same mains outlet as the DUT.

NOTE

Some AC power sources create large amounts of high frequency noise on the power line that the instrument may not fully reject. Noise directly on the mains is typically better controlled.

Use the same mains outlet for both the DUT and test oscilloscope to avoid ground loops which may cause noise.

3. Power on the DUT and test oscilloscope.
4. Set up the equipment as described in [Check voltage noise \(20 MHz\)](#) (on page B-31).

5. Set the oscilloscope as follows:
 - 1 mV/division
 - 1 M Ω input resistance
 - 20 MHz bandwidth limit
 - AC coupled
 - Autotrigger
 - 1 ms/div
 - Set to measure V_{RMS}
6. Set the DUT to the 100 percent full scale output voltage.
7. Set the DUT to the 100 percent full scale output current.
8. Turn the DUT output on.
9. Set the electronic load R mode (1 Ω).
10. Enter the oscilloscope measurements in the Current noise at 20 MHz table for checking noise at 20 MHz.

In this appendix:

Overview	C-1
Environmental conditions	C-1
Calibration considerations	C-2
Calibration connection	C-6
Front-panel calibration procedure.....	C-11
Remote calibration procedure	C-17
Change the calibration password	C-26
Calibration constants	C-27

Overview

Use the procedures in this section to calibrate the Keithley Instruments 2281S-20-6 Precision DC Supply and Battery Simulator.

WARNING

The information in this section is intended for qualified service personnel only. Do not attempt these procedures unless you are qualified to do so.

Some of these procedures may expose you to hazardous voltages that if contacted, could cause personal injury or death. Use appropriate safety precautions when working with hazardous voltages.

Calibration can be performed by using the front panel or SCPI commands.

The calibration steps test the source, over protection, and measurement circuitry.

Environmental conditions

Conduct the verification procedures in a location that has:

- An ambient temperature of 18 °C to 28 °C (65 °F to 82 °F)
- A relative humidity of less than 70 percent, unless otherwise noted

Warmup period

Allow the 2281S-20-6 to warm up for at least one hour before performing calibration.

If the instrument has been subjected to temperature extremes (those outside the ranges stated in [Environmental conditions](#) (on page C-1)), allow extra time for the instrument's internal temperature to stabilize. Typically, you need to allow one extra hour to stabilize an instrument that is 10 °C (18 °F) outside the specified temperature range.

Also, allow the test equipment to warm up for the minimum time specified by the manufacturer.

Line power

The 2281S-20-6 requires a line voltage of 100 V, 120 V, 220 V, or 240 V, and a line frequency of 50 Hz or 60 Hz.

NOTE

Before powering up the instrument, properly set the 100 V/120 V or 220 V/240 V selector switch located on the rear panel to the appropriate line power position.

Calibration considerations

When performing calibration procedures:

- Make sure that the equipment is properly warmed up.
- Make sure to use the 4-wire sense connection with shunt during the current calibration process to guarantee the accuracy.
- If an error occurs during a calibration, the 2281S-20-6 will generate an appropriate error message. See [Error summary](#) (on page 8-3) for more information.

Calibration cycle

Perform calibration at least once a year to ensure the instrument meets the corresponding specifications.

Required equipment

This section lists the required equipment you need for voltage and current calibration procedures. Alternate equipment may be used, as long as the equipment has specifications at least as good as those listed in the table.

NOTE

You could either select an electronic load or a resistor for calibration.

Equipment	Required specifications	Uncertainty
Digital multimeter	<ul style="list-style-type: none"> 7½ digits 90 day +/-5 °C uncertainties, see the following table 	See NOTE below.
Electronic load	<ul style="list-style-type: none"> Constant current (CC): 0.001 A to 6 A Constant voltage (CV): 0.3 V to 60 V 	See NOTE below.
Resistor (R-Load)	<ul style="list-style-type: none"> 300 Ω Temperature coefficient/ power change: Vout / (R +ΔR) <10% current measure specifications 	See NOTE below.
Shunt	<ul style="list-style-type: none"> 5.05 Ω and 0.05 Ω Temperature coefficient/ power change Vout / (R +ΔR) <10 % current measure specifications 	See NOTE below.
Power supply	<ul style="list-style-type: none"> Support CC/CV mode MAX Voltage no less than 20 V MAX Current no less than 1.5 A Ripple noise pkpk no larger than 3 mV 	See NOTE below.

The table lists detailed specifications for digital multimeter.

Range	PMM of Reading	PMM of Range	eResolution
0.2 V	25	6	10 nV
2.0 V	18	2	100 nV
200 V	27	3	10 μV
20 Ω	52	7	20 μΩ

NOTE

Refer to the manufacturer's specifications to calculate the uncertainty, which will vary for each test point.

Characterization shunts

Before performing calibration, you need to verify the value of the following shunts.

Shunt value	Tolerance	Calibration use
0.05 Ω	± 0.0005 Ω	High current calibration
5.05 Ω	± 0.05 Ω	Low current calibration

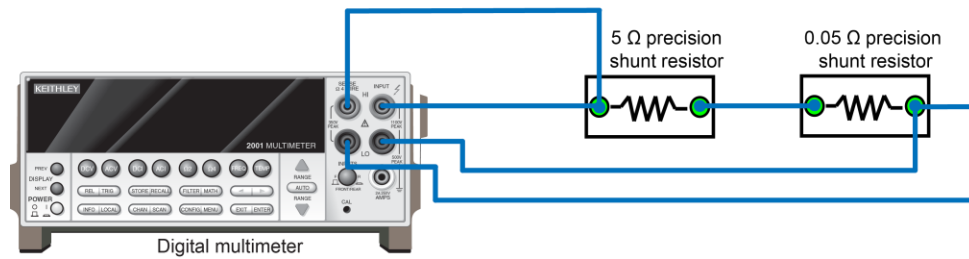
You can use the calibrated shunts, or you can use the following procedure to prepare your shunts:

- Step 1: Verify the 5.05 Ω shunt
- Step 2: Verify the 0.05 Ω shunt

Step 1

You can use 5 Ω and 0.05 Ω precision shunt resistors in series instead of the 5.05 Ω shunt resistor. To verify the value, you need to make 4-wire sense connections between the shunts and the digital multimeter (DMM).

Figure 143: Verify the 5.05 ohm shunt



After connection, you can read the shunt value from the DMM (R_{total}). Make sure the R_{total} is within the range of $5.05 \pm 0.05 \Omega$. If it is not, adjust your shunts to guarantee the total shunt value is in the required range.

Step 2

To verify the 0.05 Ω precision shunt resistor, you need to measure two voltages:

Voltage	Description
V_{total}	The total voltage across the two shunts
$V_{0.05}$	The voltage across the 0.05 Ω shunt

Then calculate the value of the 0.05 Ω shunt using the following formula:

$$R_{0.05} = V_{0.05} * R_{total} / V_{total}$$

You need to connect the shunt with the power supply, electronic load, and digital multimeter. For details, see the following figures. After you have made the connections, configure the settings for the power supply and electronic load, as shown in the following table.

Measure step	Power supply	Electronic load
V_{total}	1.0 V, 0.2 A, constant voltage mode	2.0 V, 0.2 A, constant current mode
$V_{0.05}$	1.0 V, 0.2 A, constant voltage mode	2.0 V, 0.2 A, constant current mode

Figure 144: Measure the voltage across the shunts

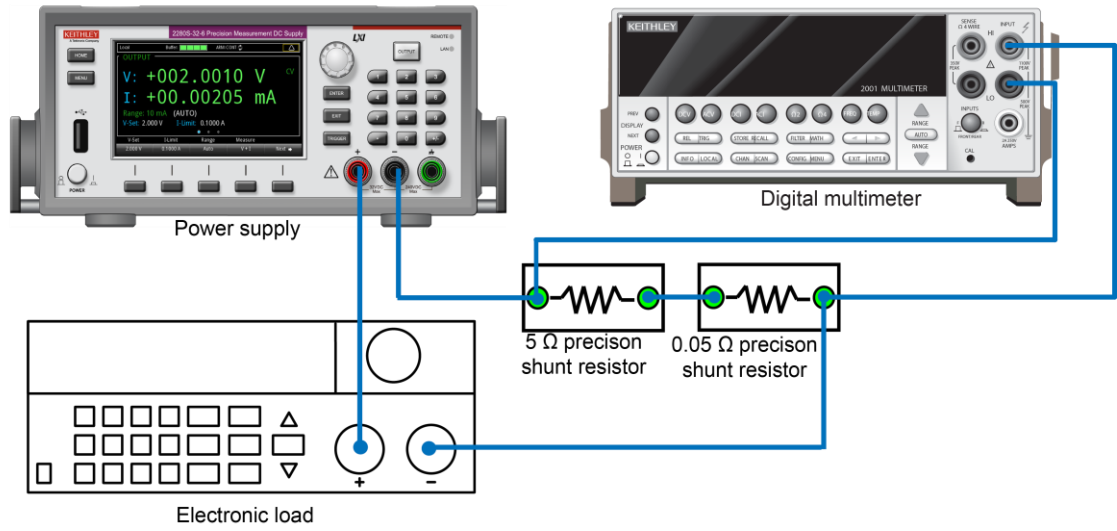
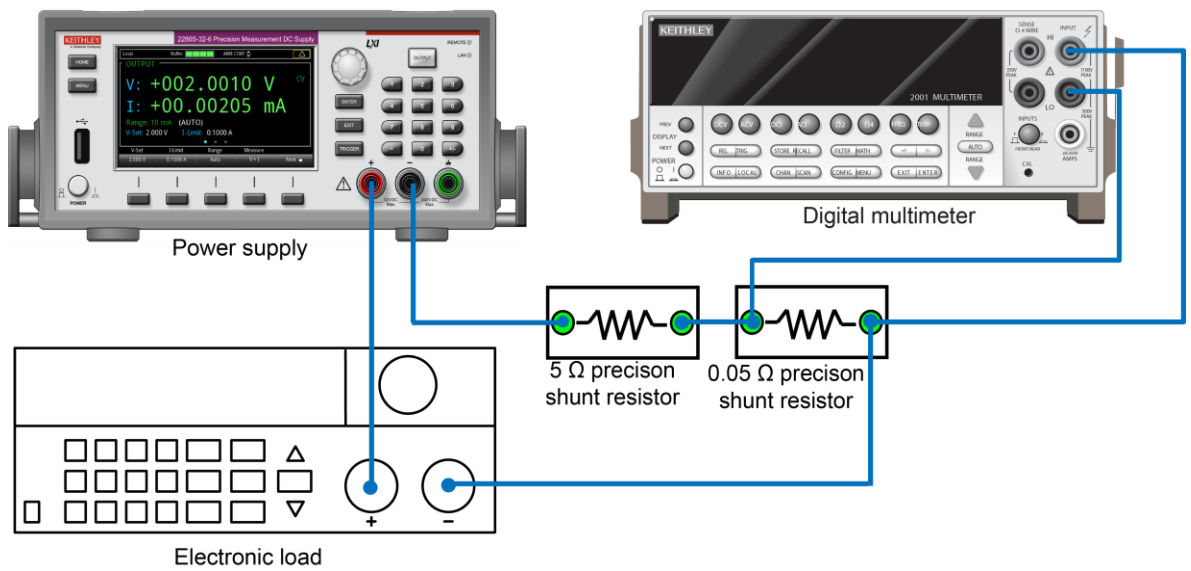


Figure 145: Measure the voltage across the 0.05 ohm shunt



Calibration connection

You can calibrate the instrument using the front panel or by remote commands using ethernet, GPIB, or USB interfaces. Refer to [Remote communication interfaces](#) (on page 2-55) for more information on communicating with the instrument.

The calibration instructions for the 2281S-20-6 include the following procedures:

- Voltage calibration
- Low-current calibration on the 10 mA and 100 mA ranges
- High-current calibration on the 1 A and 10 A ranges

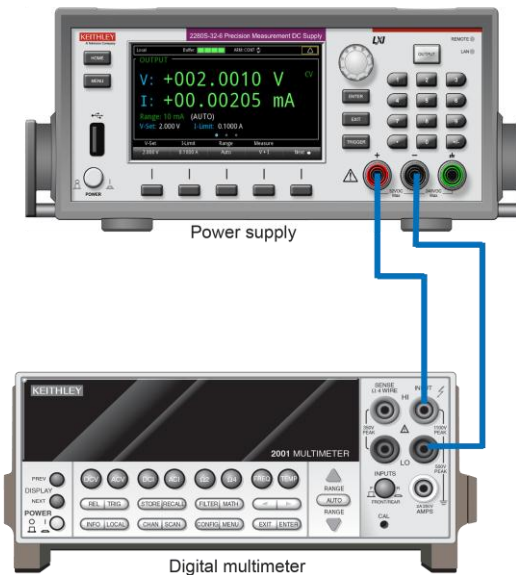
You can perform these calibration procedures individually, but for the instrument to be calibrated properly, all the procedures must be performed. After each procedure, save the calibration result and exit the calibration procedure.

Before calibration, make sure the correct connections are made between the instrument and the test equipment.

Voltage calibration connections

For voltage calibration, connect the digital multimeter (DMM) to the 2281S-20-6. For the DMM specifications, see Required equipment.

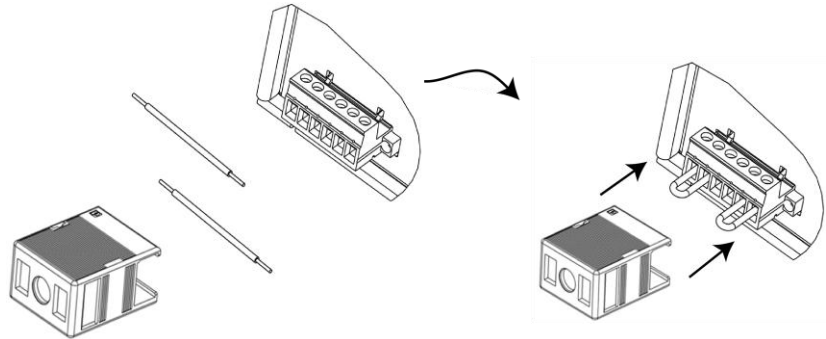
Figure 146: Voltage calibration connections



NOTE

When you are using a binding post on the front panel to make a calibration connection, insert the jumper wires to short the output terminals and sense terminals on the rear panel. For details, see the following figure.

Figure 147: Install the output mating connector for 4-wire operation



Use the following steps to short the output terminals and sense terminals:

Step	Description
1	Insert the jumper wires in the output mating connector.
2	Connect the mating connector to the terminal on the back side of the 2281S-20-6.
3	Slide the cable housing over the output mating connector and wires.

Current calibration connections

For current calibration, the following equipment is required:

- Digital multimeter
- Precision shunt resistors
- Electronic load or resistor

You can use either an electronic load or a resistor to perform current calibration.

NOTE

When calibrating the 1 A and 10 A ranges (steps 5 to 8), we recommend that you use an electronic load for lowest thermal drift and current stability. When calibrating the 10 mA and 100 mA ranges (step 3 and step 4), we recommend that you use a resistive load for lowest noise and repeatability.

You are required to change the shunt and load configuration for certain steps. Refer to the figures for proper setup.

Figure 148: High-current calibration connection using an electronic load

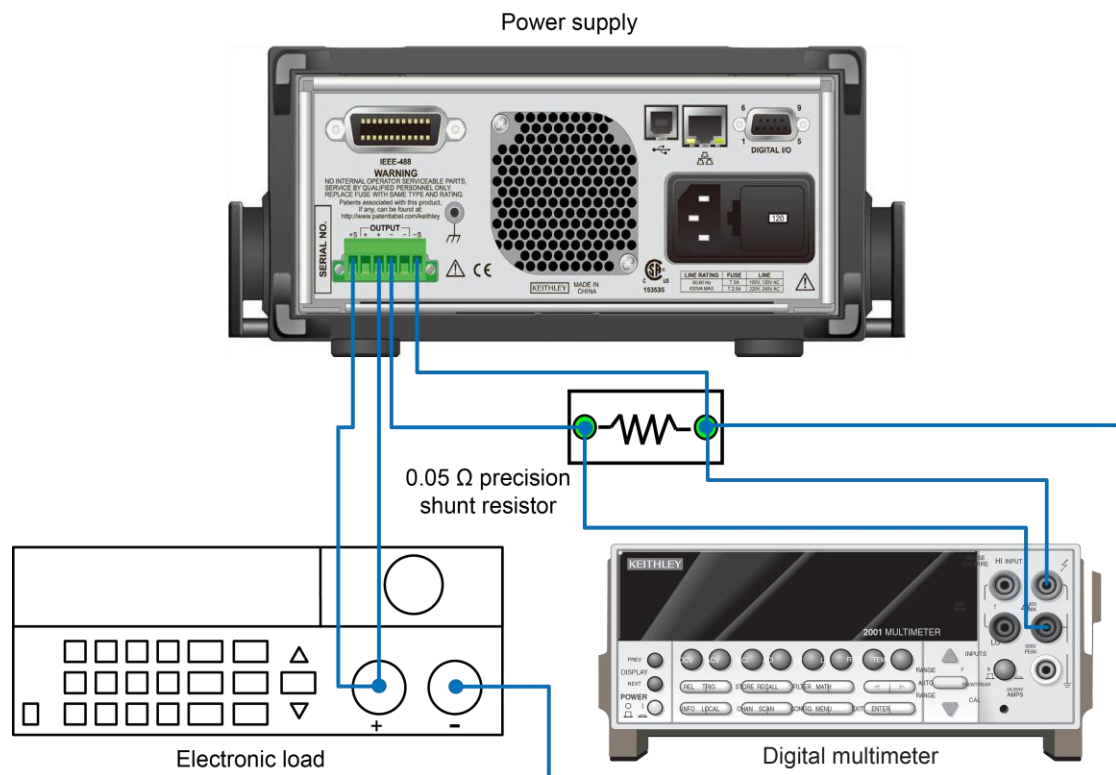
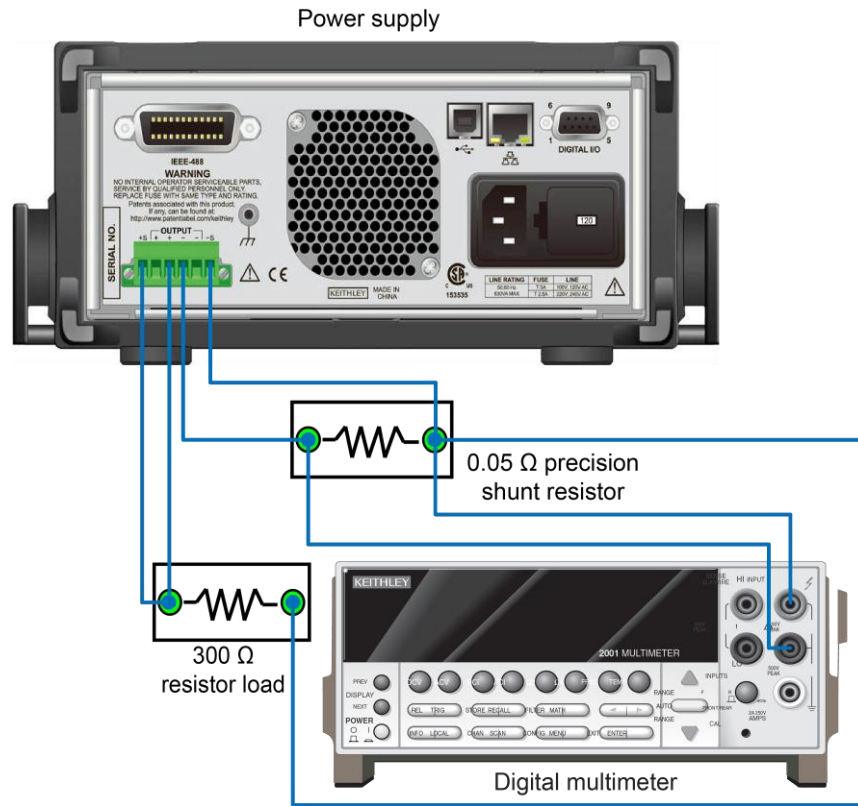


Figure 149: Low-current calibration connection using a resistor



Sink current calibration connections

For sink-current calibration, the following equipment is required:

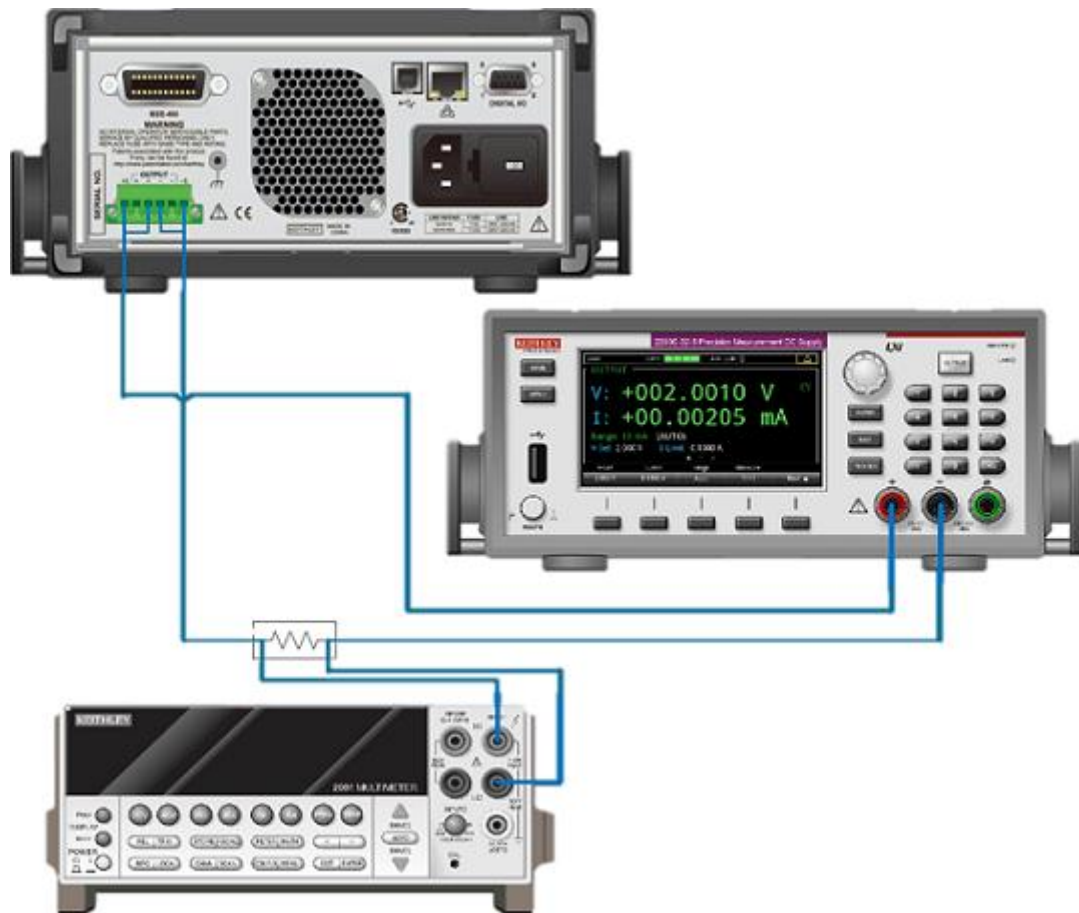
- Digital multimeter
- Precision shunt resistors
- Power supply

You use 2281S-20-6 as an electronic load or a resistor to perform sink-current calibration.

NOTE

You are required to change the shunt and load configuration for certain steps. Refer to the figures for proper setup.

Figure 150: Sink-current calibration connection



Front-panel calibration procedure

To perform calibration from the front panel:

1. Turn on the instrument and allow it to warm up for at least one hour before performing the calibration.
2. Choose any function on the startup screen.
3. Press the **MENU** key.
4. Under System Information menu, choose **Calibration**,
5. Select the **Run Calibration** button, and then press the **ENTER** key. The keypad is displayed.
6. You are required to enter the calibration password. The default password is KI002281.

NOTE

If you forget the calibration password, you can reset your password to the factory default. For details, refer to [Change calibration password](#) (on page C-26).

7. Start to calibrate voltage and current. Refer to the instructions on the following pages.

Voltage calibration

Connect the instrument to a digital multimeter (DMM). For details, see [Voltage calibration connection](#) (on page C-6).

NOTE

You must input the measured value from the DMM. The value should be within the expected range. A message will indicate if the DMM data entry was out of the expected range. Verify that the proper shunt value was used or that the cables are properly connected.

For 2281S-20-6 , the expected values are shown in the following table.

Steps	Maximum voltage	Minimum voltage
1	0.55 V	0.05 V
2	32 V	28 V

Step 1

1. Enter the measured result from the DMM.
2. After entering the data, the waiting window is displayed. You need to wait a few seconds for the internal measurements and calculations. The step 2 calibration window is displayed.

Step 2

1. Enter the measured result from the DMM.
2. After entering the data, the waiting window is displayed. You need to wait a few seconds for the internal measurements and calculations. Then the Save window is displayed.
3. You can save the calibration results or continue to the next calibration step. For the details on saving, see [Saving calibration constants from the front panel](#) (on page C-17). If you want continue the calibration, press the **Next** soft key.

NOTE

After each calibration step, the 2281S-20-6 output is set to a safe low-voltage level, preventing inadvertent harm to the user, instrument, or load.

Low-current calibration

Perform the following steps to finish the low-current calibration:

- Step 3 and step 4: Current calibration on the 10 mA and 100 mA ranges

NOTE

You must input the measured value from the DMM. The value should be within the expected range. A message will indicate if the DMM data entry was out of the expected range. Verify that the proper shunt value was used or that the cables are properly connected.

For 2281S-20-6, the expected values are shown in the following table.

Steps	Maximum voltage	Minimum voltage
3	$1.515e^{-2}$ V	0.00 V
4	1.515 V	0.02 V

Step 3

1. Before starting this calibration step, configure the shunt and load (electronic load or resistor load) as shown in the following table.

Model	Shunt	Electronic load			Resistor load
2281S-20-6	5.05 Ω	Constant current mode	1.5 V	0.001 A	300 Ω

2. Enter the shunt value and press the **ENTER** key.
3. Enter the measured result from the digital multimeter (DMM) and press the **ENTER** key.
4. After entering the data, the waiting window is displayed. You need to wait a few seconds for the internal measurements and calculations. The step 4 window is displayed.

Step 4

1. Before starting this calibration step, configure the shunt and load (electronic load or resistor load) as shown in the following table.

Model	Shunt	Electronic load			Resistor load
2281S-20-6	5.05 Ω	Constant current mode	32 V	0.1 A	300 Ω

2. Enter the measured result from the digital multimeter (DMM) and press the **ENTER** key. After entering the data, the waiting window is displayed. You need to wait a few seconds for the internal measurements and calculations. Then the **Save** window is displayed.
3. You can save the calibration results or continue to the next calibration step. For the details on saving, see [Saving calibration constants from the front panel](#) (on page C-17). If you want continue the calibration, press the **Next** soft key.

High-current calibration

Connect the instrument with the digital multimeter (DMM), precision shunt resistor, and electronic load (or resistor). For details, see [Current calibration connections](#) (on page C-8).

Perform the following steps to finish the high-current calibration:

- Steps 5 through 8: Current calibration on the 1 A and 10 A ranges

NOTE

You must input the measured value from the DMM. The value should be within the expected range. A message will indicate if the DMM data entry was out of the expected range. Verify that the proper shunt value was used or that the cables are properly connected.

For 2281S-20-6, the expected values are shown in the following table.

Steps	Maximum voltage	Minimum voltage
5	0.015 V	$6e^{-4}$ V
6	Not applicable	Not applicable
7	1.5 V	0.06 V
8	Not applicable	Not applicable

WARNING

The 2281S-20-6 has 200 W of constant output power. Ensure that cables, shunts, and loads are properly rated for the intended current. Incorrect shunt connections, such as using the 5.05 Ω shunt during step 5 and step 6, can cause damage.

Step 5

1. Before starting this calibration step, configure the shunt and load (electronic load or resistor load) as shown in the following table.

Model	Shunt	Electronic load			Resistor load
2281S-20-6	0.05 Ω	Constant current mode	1.5 V	0.06 A	5 Ω

2. Enter the external shunt value and press the **ENTER** key.
3. Enter the measured result from the digital multimeter (DMM) and press the **ENTER** key.
4. After entering the data, the waiting window is displayed. You need to wait a few seconds for the internal measurements and calculations. The step 6 calibration window is displayed.

Step 6

1. Before starting this calibration step, configure the shunt and load (electronic load or resistor load) as shown in the following table.

Model	Shunt	Electronic load			Resistor load
2281S-20-6	0.05 Ω	Constant voltage mode	0.3 V	0.5 A	5 Ω

2. Wait for the instrument to take internal measurements and calculations.

Step 7

1. Before starting this calibration step, configure the shunt and load (electronic load or resistor load) as shown in the following table.

Model	Shunt	Electronic load			Resistor load
2281S-20-6	0.05 Ω	Constant current mode	32 V	6.0 A	5 Ω

2. Enter the measured result from the digital multimeter (DMM) and press the **ENTER** key.
3. After entering the data, the waiting window is displayed. You need to wait a few seconds for the internal measurements and calculations. The step 8 calibration window is displayed.

Step 8

1. Before starting this calibration step, configure the shunt and load (electronic load or resistor load) as shown in the following table.

Model	Shunt	Electronic load			Resistor load
2281S-20-6	0.05 Ω	Constant current mode	30 V	6.5 A	5 Ω

2. Wait a few seconds for the internal measurements and calculations. Measurements are complete when the Save window is displayed.
3. You can save the calibration results or continue to the next calibration step. For the details on saving, see [Saving calibration constants from the front panel](#) (on page C-17). If you want continue the calibration, press the **Next** soft key.

Low-sink-current calibration

Perform the following steps to finish the low-sink-current calibration:

- Step 9 and step 10: Sink-current calibration on the 10 mA and 100 mA ranges

NOTE

You must input the measured value from the DMM. The value should be within the expected range. A message will indicate if the DMM data entry was out of the expected range. Verify that the proper shunt value was used or that the cables are properly connected.

For 2281S-20-6, the expected values are shown in the following table.

Steps	Maximum voltage	Minimum voltage
9	$6.06e^{-2}$ V	$-9.09e^{-2}$ V
10	-0.2 V	-1.515 V

Step 9

1. Before starting this calibration step, configure the shunt and power supply as shown in the following table.

Model	Shunt	Power supply		
2281S-20-6	5.05 Ω	Constant current mode	5.0 V	0.001 A

2. Enter the shunt value and press the **ENTER** key.
3. Enter the measured result from the digital multimeter (DMM) and press the **ENTER** key.
4. After entering the data, the waiting window is displayed. You need to wait a few seconds for the internal measurements and calculations. The step 10 window is displayed.

Step 10

Before starting this calibration step, configure the shunt and power supply as shown in the following table.

Model	Shunt	Power supply		
2281S-20-6	5.05 Ω	Constant current mode	5.0 V	0.1 A

1. Enter the measured result from the digital multimeter (DMM) and press the **ENTER** key.
2. After entering the data, the waiting window is displayed. You need to wait a few seconds for the internal measurements and calculations. Then the **Save** window is displayed.
3. You can save the calibration results or continue to the next calibration step. For the details on saving, see [Saving calibration constants from the front panel](#) (on page C-17). If you want continue the calibration, press the **Next** soft key.

High-sink-current calibration

Connect the instrument with the digital multimeter (DMM), precision shunt resistor, and electronic load (or resistor). For details, see [Current calibration connections](#) (on page C-8).

Perform the following steps to finish the high-sink-current calibration:

- Steps 11 and 12: Sink-current calibration on the 1 A and 10 A ranges

NOTE

You must input the measured value from the DMM. The value should be within the expected range. A message will indicate if the DMM data entry was out of the expected range. Verify that the proper shunt value was used or that the cables are properly connected.

For 2281S-20-6, the expected values are shown in the following table.

Steps	Maximum voltage	Minimum voltage
11	$-5e^{-4}$ V	$-1.75e^{-2}$ V
12	-0.01 V	-0.25 V

WARNING

Ensure that cables, shunts, and loads are properly rated for the intended current. Incorrect shunt connections can cause damage.

Step 11

1. Before starting this calibration step, configure the shunt and power supply as shown in the following table.

Model	Shunt	Power supply		
2281S-20-6	0.05 Ω	Constant current mode	5.0 V	0.06 A

2. Enter the external shunt value and press the **ENTER** key.
3. Enter the measured result from the digital multimeter (DMM) and press the **ENTER** key.
4. After entering the data, the waiting window is displayed. You need to wait a few seconds for the internal measurements and calculations. The step 12 calibration window is displayed.

Step 12

1. Before starting this calibration step, configure the shunt and load (electronic load or resistor load) as shown in the following table.

Model	Shunt	Power supply		
2281S-20-6	5.05 Ω	Constant current mode	5.0 V	1.0 A

2. Enter the measured result from the digital multimeter (DMM) and press the **ENTER** key. After entering the data, the waiting window is displayed. You need to wait a few seconds for the internal measurements and calculations. The **Save** calibration window is displayed.
3. Press **Save** to save all the calibration constants to system internal memory. If you press **Cancel**, you will lose all the calibration constants and exit the calibration.

Saving calibration constants from the front panel

1. Press the **Save** soft key. The Enter Date window is displayed.
2. Enter the present date and press the **ENTER** key. The date and calibration constants are saved to instrument's internal memory.

Remote calibration procedure

To perform calibration from a remote interface:

1. Connect the 2281S-20-6 to the computer using one of the following methods:
 - Use a shielded IEEE-488 cable, such as Keithley Instruments Model 7007
 - Use the CA-180-3A LAN crossover cable to connect to the ethernet port
 - Use a USB cable to connect to the USB port
1. Turn on the 2281S-20-6 and allow it to warm up for at least one hour before performing calibration.
2. Make sure the address of the 2281S-20-6 is the same as the address specified in the program that you will be using to send commands. For more information, refer to [Remote communication interfaces](#) (on page 2-55).
3. Unlock the calibration function by sending the following command:

```
:CALibration:PROTeCted:STATe ON, "password"
```

The default password for calibration is KI002281.

NOTE

During remote calibration, the front-panel display may not show the actual calibration source and measurements. Also, only the local soft key is supported, and additional key selections are ignored. Calibration must be disabled before local keys are active.

Refer to :CALibration:PROTeCted:STATe for additional details.

4. Send each calibration command with *OPC? appended to allow the program to know when the operation is complete.

Remote voltage calibration

Connect the instrument to a digital multimeter (DMM). For details, see [Voltage calibration connection](#) (on page C-6).

NOTE

You must input the measured value from the DMM. The value should be within the expected range. A message will indicate if the DMM data entry was out of the expected range. Verify that the proper shunt value was used or that the cables are properly connected.

You can send `SYST:ERR?` to query any error messages and error event codes. For calibration error messages and codes, refer to [Error summary](#) (on page 8-3).

For 2281S-20-6, the expected values are shown in the following table.

Steps	Maximum voltage	Minimum voltage
1	0.55 V	0.05 V
2	32 V	28 V

Step 1

1. Send the following command to prepare calibration step 1:

```
CALibration:PROTeCted:STEP1
```

2. Send the measured result from the digital multimeter (DMM) by the command:

```
CALibration:PROTeCted:STEP1:DATA <voltage>
```

3. The instrument begins to take internal measurements. This will take a few seconds. To query the operation status, send the command:

```
*OPC?
```

After all of the operations are completed, the instrument returns 1.

Step 2

1. Prepare for step 2 by sending the command:

```
:CALibration:PROTeCted:STEP2
```

2. Send the measured result from the digital multimeter (DMM) by sending the command:

```
:CALibration:PROTeCted:STEP2:DATA <voltage>
```

3. Send the following command to query the operation status:

```
*OPC?
```

After all of the operations are completed, the instrument returns 1.

NOTE

After each calibration step, the 2281S-20-6 output is set to a safe low-voltage level, preventing inadvertent harm to the user, instrument, or load.

Remote low-current calibration

Connect the instrument with the digital multimeter (DMM), shunt, and electronic load (or resistor). For details, see [Current calibration connections](#) (on page C-8).

You need to perform the following steps to finish the remote low-current calibration:

- Step 3 and step 4: Current calibration on the 10 mA and 100 mA ranges

NOTE

You must input the measured value from the DMM. The value should be within the expected range. A message will indicate if the DMM data entry was out of the expected range. Verify that the proper shunt value was used or that the cables are properly connected.

You can send `SYST:ERR?` to query any error messages and error event codes. For calibration error messages and codes, refer to [Error summary](#) (on page 8-3).

For 2281S-20-6, the expected values are shown in the following table.

Steps	Maximum voltage	Minimum voltage
3	$1.515e^{-2}$ V	0.00 V
4	1.515 V	0.02 V

Step 3

1. Before calibration, configure the shunt and load (electronic load or resistor load), as shown in the following table.

Model	Shunt	Electronic load			Resistor load
2281S-20-6	5.05 Ω	Constant current mode	1.5 V	0.001 A	300 Ω

2. Send the command to prepare for step 3:

```
:CALibration:PROTected:STEP3
```

3. Send the measured result from the digital multimeter (DMM) and shunt value using the following command:

```
:CALibration:PROTected:STEP3:DATA <voltage>, <resistance>
```

4. Send the following command to query the operation status:

```
*OPC?
```

After all of the operations are completed, the instrument returns 1.

Step 4

1. Before calibration, configure the shunt and load (electronic load or resistor load), as shown in the following table.

Model	Shunt	Electronic load			Resistor load
2281S-20-6	5.05 Ω	Constant current mode	32 V	0.1 A	300 Ω

2. Send the command to prepare for step 4:

```
:CALibration:PROTECTED:STEP4
```

3. Send the measure result from the DMM and shunt value using the following command:

```
:CALibration:PROTECTED:STEP4:DATA <voltage>, <resistance>
```

4. Send the following command to query the operation status:

```
*OPC?
```

After all of the operations are completed, the instrument returns 1.

Remote high-current calibration

Connect the instrument with the digital multimeter (DMM), precision shunt resistor, and electronic load (or resistor). For details, see [Current calibration connections](#) (on page C-8).

Perform the following steps to finish the remote high-current calibration:

- Steps 5 through 8: Current calibration on the 1 A and 10 A ranges

NOTE

You must input the measured value from the DMM. The value should be within the expected range. A message will indicate if the DMM data entry was out of the expected range. Verify that the proper shunt value was used or that the cables are properly connected.

You can send `SYST:ERR?` to query any error messages and error event codes. For calibration error messages and codes, refer to [Error summary](#) (on page 8-3).

For 2281S-20-6, the expected values are shown in the following table.

Steps	Maximum voltage	Minimum voltage
5	0.015 V	$6e^{-4}$ V
6	Not applicable	Not applicable
7	1.5 V	0.06 V
8	Not applicable	Not applicable

WARNING

The 2281S-20-6 has 200 W of constant output power. Ensure that cables, shunts, and loads are properly rated for the intended current. Incorrect shunt connections, such as using the 5.05 Ω shunt during step 5 and step 6, can cause damage.

Step 5

1. Before calibration, configure the shunt and load (electronic load or resistor load), as shown in the following table.

Model	Shunt	Electronic load			Resistor load
2281S-20-6	0.05 Ω	Constant current mode	1.5 V	0.06 A	5 Ω

2. Send the command to prepare for step 5:

```
:CALibration:PROTeCted:STEP5
```

3. Send the measured result from the digital multimeter (DMM) and shunt value by sending the command:

```
:CALibration:PROTeCted:STEP5:DATA <voltage>, <resistance>
```

4. The instrument begins to take internal measurements. This will take a few seconds. To query the operation status, send the command:

```
*OPC?
```

After all of the operations are completed, the instrument returns 1.

Step 6

1. Before calibration, configure the shunt and load (electronic load or resistor load), as shown in the following table.

Model	Shunt	Electronic load			Resistor load
2281S-20-6	0.05 Ω	Constant voltage mode	0.3 V	0.5 A	5 Ω

2. Send the command to prepare for step 6:

```
:CALibration:PROTeCted:STEP6
```

3. Send the following command to take internal measurements and calculations:

```
:CALibration:PROTeCted:STEP6:DATA
```

4. Send the following command to query the operation status:

```
*OPC?
```

After all of the operations are completed, the instrument returns 1.

Step 7

1. Before calibration, configure the shunt and load (electronic load or resistor load), as shown in the following table.

Model	Shunt	Electronic load			Resistor load
2281S-20-6	0.05 Ω	Constant current mode	32 V	6.0 A	5 Ω

2. Send the command to prepare for step 7:

```
:CALibration:PROTeCted:STEP7
```

3. Send the measured result from the digital multimeter (DMM) and shunt value by sending the command:

```
:CALibration:PROTeCted:STEP7:DATA <voltage>, <resistance>
```

4. Send the following command to query the operation status:

```
*OPC?
```

After all of the operations are completed, the instrument returns 1.

Step 8

1. Before calibration, configure the shunt and load (electronic load or resistor load), as shown in the following table.

Model	Shunt	Electronic load			Resistor load
2281S-20-6	0.05 Ω	Constant voltage mode	30 V	6.5 A	5 Ω

2. Send the command to prepare for step 8:

```
:CALibration:PROTeCted:STEP8
```

3. Send the following command to take internal measurements and calculations:

```
:CALibration:PROTeCted:STEP8:DATA
```

4. Send the following command to query the operation status:

```
*OPC?
```

After all of the operations are completed, the instrument returns 1.

Remote low-sink-current calibration

Perform the following steps to finish the low-sink-current calibration:

- Step 9 and step 10: Sink-current calibration on the 10 mA and 100 mA ranges

NOTE

You must input the measured value from the DMM. The value should be within the expected range. A message will indicate if the DMM data entry was out of the expected range. Verify that the proper shunt value was used or that the cables are properly connected.

For 2281S-20-6, the expected values are shown in the following table.

Steps	Maximum voltage	Minimum voltage
9	6.06e ⁻² V	-9.09e ⁻² V
10	-0.2 V	-1.515 V

Step 9

1. Before starting this calibration step, configure the shunt and power supply as shown in the following table.

Model	Shunt	Power supply		
2281S-20-6	5.05 Ω	Constant current mode	5.0 V	0.001 A

2. Send the command to prepare for step 9:

```
:CALibration:PROTeCted:STEP3
```

3. Send the measured result from the digital multimeter (DMM) and shunt value using the following command:

```
:CALibration:PROTeCted:STEP3:DATA <voltage>, <resistance>
```

4. Send the following command to query the operation status:

```
*OPC?
```

After all of the operations are completed, the instrument returns 1.

Step 10

Before starting this calibration step, configure the shunt and power supply as shown in the following table.

Model	Shunt	Power supply		
2281S-20-6	5.05 Ω	Constant current mode	5.0 V	0.1 A

1. Send the command to prepare for step 10:

```
:CALibration:PROTECTED:STEP4
```

2. Send the measure result from the DMM and shunt value using the following command:

```
:CALibration:PROTECTED:STEP4:DATA <voltage>, <resistance>
```

3. Send the following command to query the operation status:

```
*OPC?
```

After all of the operations are completed, the instrument returns 1.

Remote high-sink-current calibration

Connect the instrument with the digital multimeter (DMM), precision shunt resistor, and electronic load (or resistor). For details, see [Current calibration connections](#) (on page C-8).

Perform the following steps to finish the remote high-sink-current calibration:

- Steps 11 and 12: Sink-current calibration on the 1 A and 10 A ranges

NOTE

You must input the measured value from the DMM. The value should be within the expected range. A message will indicate if the DMM data entry was out of the expected range. Verify that the proper shunt value was used or that the cables are properly connected.

For 2281S-20-6, the expected values are shown in the following table.

Steps	Maximum voltage	Minimum voltage
11	$-5e^{-4}$ V	$-1.75e^{-2}$ V
12	-0.01 V	-0.25 V

WARNING

Ensure that cables, shunts, and loads are properly rated for the intended current. Incorrect shunt connections can cause damage.

Step 11

1. Before starting this calibration step, configure the shunt and power supply as shown in the following table.

Model	Shunt	Power supply		
2281S-20-6	0.05 Ω	Constant current mode	5.0 V	0.06 A

2. Send the command to prepare for step 11:

```
:CALibration:PROTected:STEP5
```

3. Send the measured result from the digital multimeter (DMM) and shunt value by sending the command:

```
:CALibration:PROTected:STEP5:DATA <voltage>, <resistance>
```

4. The instrument begins to take internal measurements. This will take a few seconds. To query the operation status, send the command:

```
*OPC?
```

After all of the operations are completed, the instrument returns 1.

Step 12

1. Before starting this calibration step, configure the shunt and load (electronic load or resistor load) as shown in the following table.

Model	Shunt	Power supply		
2281S-20-6	5.05 Ω	Constant current mode	5.0 V	1.0 A

2. Send the command to prepare for step 12:

```
:CALibration:PROTected:STEP7
```

3. Send the measured result from the digital multimeter (DMM) and shunt value by sending the command:

```
:CALibration:PROTected:STEP7:DATA <voltage>, <resistance>
```

4. Send the following command to query the operation status:

```
*OPC?
```

After all of the operations are completed, the instrument returns 1.

Saving calibration constants using SCPI commands

You can save the calibration constants to internal memory after each calibration procedure by sending:

```
:CALibration:PROTeCted:SAVE
```

However, it works differently when sending this command after each step in a procedure. See the following table.

Calibration step	What is saved to internal memory:
Step 1	Nothing is saved.
Step 2 through step 3	Only voltage calibration constants are saved.
Step 4 through step 7	The following calibration constants are saved: <ul style="list-style-type: none"> Voltage calibration constants Current calibration constants for the 10 mA and 100 mA ranges
Step 8 through step 9	Current calibration constants for the 1A and 10A ranges
Step 10 through step 11	Sink current calibration constants for 10mA and 100mA ranges
Step 12	All of the calibration constants

You can also cancel the calibration and eliminate the new constants by sending:

```
:CALibration:PROTeCted:CANCEl
```

When you save the constants, you need to configure the calibration date. For details, see [Configure the calibration date](#) (on page C-25).

Configure the calibration date

You can configure the calibration date before saving the calibration constants. You can also configure it after saving.

To configure the date, send the following command:

```
:CALibration:PROTeCted:DATE <year>,<month>,<day>
```

NOTE

If you do not configure the date for calibration, the instrument will use the last calibration date.

Exit the calibration procedure using SCPI commands

After saving the calibration results, exit the calibration procedure by sending:

```
:CALibration:PROTeCted:STAT OFF, "password"
```

The default password for calibration is KI002281.

NOTE

If you do not exit the calibration, you will receive error code 109, "Not permitted with cal unlocked", when you send the commands not included in the calibration command subsystem.

Change the calibration password

To change the calibration password from the front panel:

1. Press the **MENU** key.
2. Under System, select **Settings**.
3. Select the button next to Password and press **ENTER**. The System Password screen is displayed.
4. Select Calibration and press **ENTER**. The Input Original Password screen is displayed.
5. Enter the original password.
6. Select the **OK** button on the displayed keyboard. An Input New Password screen is displayed.
7. Enter the new password.
8. Select the **OK** button on the displayed keyboard. A verification screen is displayed.
9. Enter the new password again.
10. Select the **OK** button on the displayed keyboard. The password is reset.

NOTE

You can reset the password by pressing the **MENU** key, selecting **Manage** (under System), and selecting **Password Reset**. When you do this, the remote control password and calibration password return to the default setting.

To change the remote control password using SCPI commands:

```
:CALibration:PROTECTED:CODE <string>
```

Where <string> is the new password.

Calibration constants

You can use the following command to read all the calibration constants in order of their index number:

```
:CALibration:PROTECTED:DATA?
```

For 2281S-20-6, the default calibration constants are listed in the following table.

Index number	Default constant value	Default constant tolerance	Calibration steps	Error code
1	0.05 Ω	0.2 Ω	Step 5 Step 7 Step 11 Step 12	123, Step5 10A shunt value out of range; 128, Step7 10A shunt value out of range 168, Step11 Sink 1A shunt value out of range 172, Step12 Sink 1A shunt value out of range
2	5.05 Ω	10.1 Ω	Step 3 Step 4 Step 9 Step 10	116, Step3 100mA shunt value out of range; 120, Step4 100mA shunt value out of range 161, Step9 Sink 100mA shunt value out of range 165, Step10 Sink 100mA shunt value out of range
3	0.1	0.02	Step 1	110, Step1 Kmath error
4	0.3 V	0.25 V	Step 1	111, Step1 V-DAC zero DMM reading out of range
5	1.2946e ⁻²	2.589e ⁻²	Step 1	112, Step1 V-ADC zero collected data error
6	30 V	2 V	Step 2	113, Step2 V-DAC full scale DMM reading out of range
7	1.2946	0.12946	Step 2	114, Step2 V-ADC full scale collected data error
8	0.003 V	0.0112 V	Step 5	122, Step5 I-ADC 10A zero DMM reading out of range
9	8.571e ⁻³	1.714e ⁻²	Step 5	124, Step5 I-ADC 10A zero collected data error
10	8.5714e ⁻²	1.714 e ⁻¹	Step 5	125, Step5 I-ADC 1A zero collected data error
11	0.3 V	1.2 V	Step 7	127, Step7 I-ADC 10A full scale DMM reading out of range
12	8.5714e ⁻¹	8.571e ⁻²	Step 7	129, Step7 I-ADC 10A full scale collected data error
13	8.5714e ⁻³	1.714e ⁻²	Step 6	126, Step6 I-DAC zero collected data error
14	8.2142e ⁻¹	8.214e ⁻²	Step 8	130, Step8 I-DAC full scale collected data error
15	5.050e ⁻³ V	1.010e ⁻² V	Step 3	115, Step3 I-ADC 100mA zero DMM reading out of range
16	1.428e ⁻²	2.857e ⁻²	Step 3	117, Step3 I-ADC 100mA zero collected data error
17	1.428e ⁻¹	2.857e ⁻¹	Step 3	118, Step3 I-ADC 10mA zero collected data error
18	0.505 V	1.01 V	Step 4	119, Step4 I-ADC 100mA full scale DMM reading out of range
19	1.4285	1.428e ⁻¹	Step 4	121, Step4 I-ADC 100mA full scale collected data error
20	0	N/A	Step 9	160, Step9 Sink I-ADC 100mA zero DMM reading out of range
21	0	N/A	Step 9	162, Step9 Sink I-ADC 100mA zero collected data error
22	0	N/A	Step 9	163, Step9 Sink I-ADC 10mA zero collected data error
23	0	N/A	Step 10	164, Step10 Sink I-ADC 100mA full scale DMM reading out of range

24	0	N/A	Step 10	166, Step10 Sink I-ADC 100mA full scale collected data error
25	0	N/A	Step 11	167, Step11 Sink I-ADC 1A zero DMM reading out of range
26	0	N/A	Step 12	169, Step11 Sink I-ADC 1A zero collected data error
27	0	N/A	Step 13	170, Step11 Sink I-ADC 10A zero collected data error
28	0	N/A	Step 14	171, Step12 Sink I-ADC 1A full scale DMM reading out of range
29	0	N/A	Step 15	173, Step12 Sink I-ADC 1A full scale collected data error

Status model

In this appendix:

Overview	D-1
Programming and reading registers	D-4
Clearing the registers	D-5
Status byte and service request	D-5
Status register sets	D-7
Queues	D-17
Serial polling and SRQ	D-18
Status model programming examples	D-18

Overview

The status model consists of status register sets and queues. You can monitor the status model to view instrument events; you can also configure the status model to control the events. The most essential part of the status structure is the Status Byte Register. This register can be read by a test program to determine if a service request (SRQ) has occurred and what event caused it.

As you work with the status model, remember that the end result applies to the Status Byte Register. All the status register sets and queues flow into the Status Byte Register. Your test program can read this register to determine if a service request (SRQ) has occurred, and if so, which event caused it.

The Status Byte Register sets and queues include:

- Standard Event Register
- Questionable Event Register: Questionable Instrument Event Register (Questionable Instrument Summary Event Register)
- Operation Event Register: Operation Instrument Event Register (Operation Instrument Summary Event Register)
- Measurement Event Register: Measurement Instrument Event Register (Measurement Instrument Summary Event Register)
- Output queue
- Error queue

The structure of status model is shown in the [Status model structure](#) (on page D-1) diagram. The relationship between Questionable Event Register, Questionable Instrument Event Register and Questionable Instrument Summary Event Register is shown in the [Questionable registers](#) (on page D-2) diagram. The relationship between Operation Event Register, Operation Instrument Event Register and Operation Instrument Summary Event Register is shown in the [Operation registers](#) (on page D-3) diagram. The relationship between Measurement Event Register, Measurement Instrument Event Register and Measurement Instrument Summary Event Register is shown in the [Measurement registers](#) (on page D-3) diagram.

Figure 151: 2281S-20-6 status model diagram

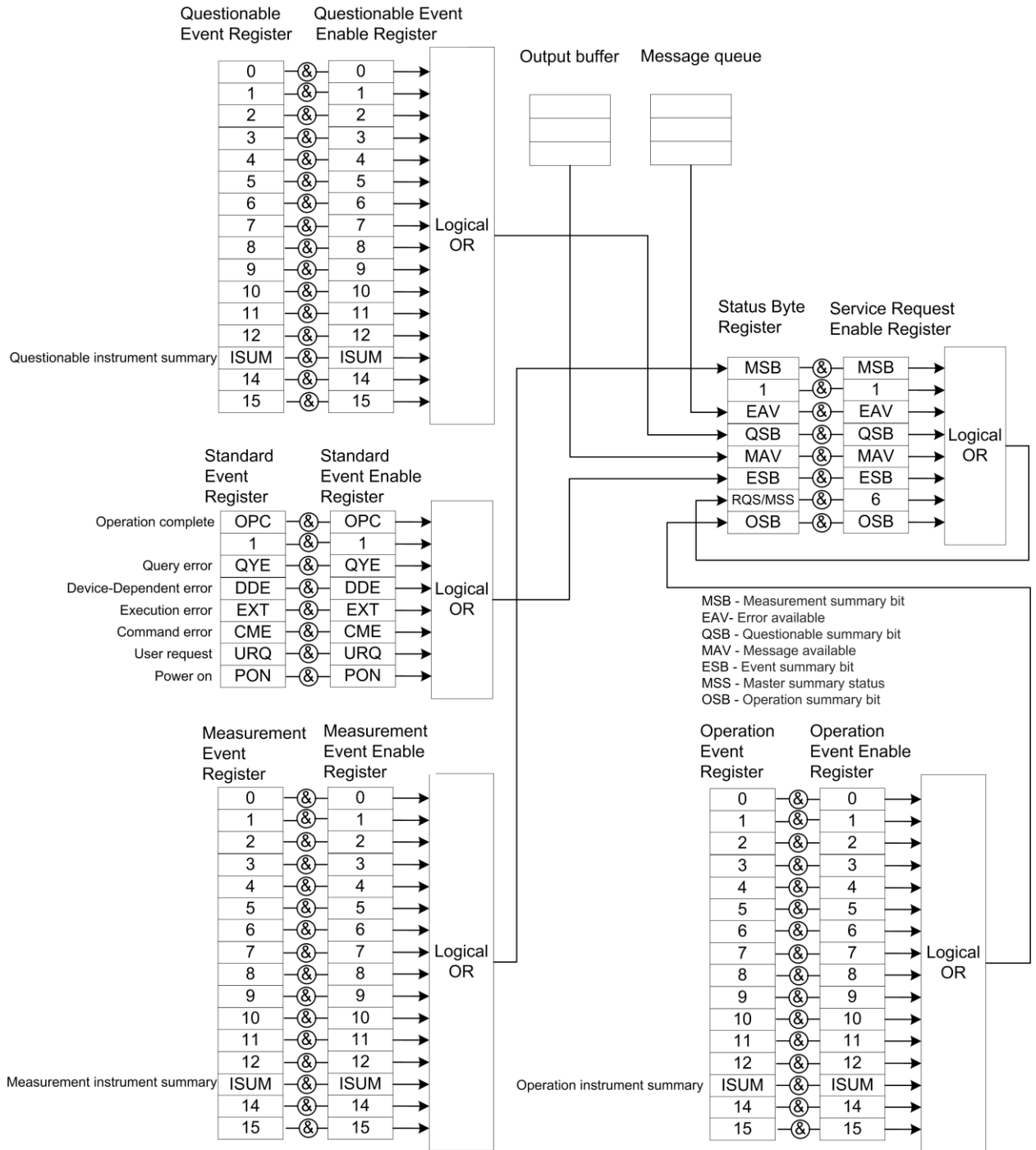


Figure 152: Questionable registers diagram

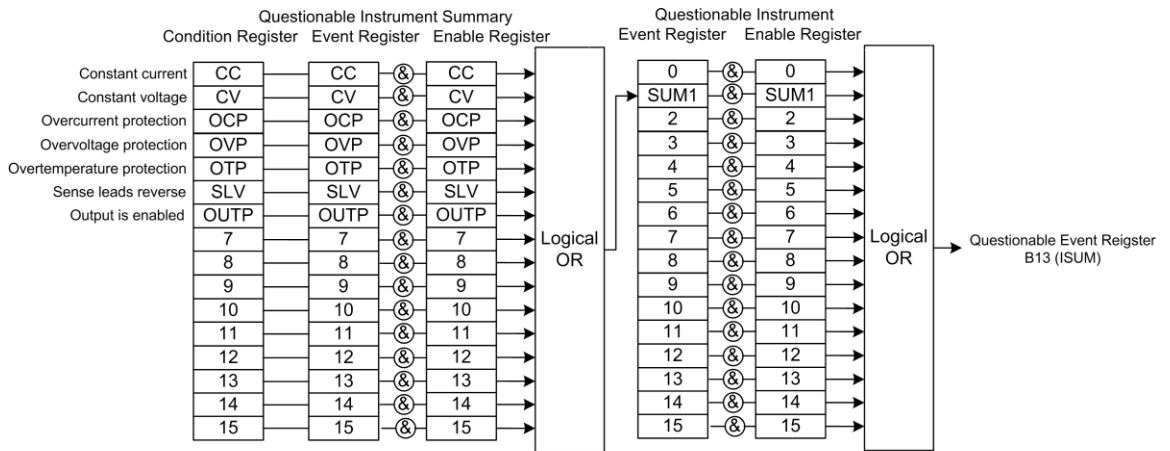


Figure 153: Operation registers diagram

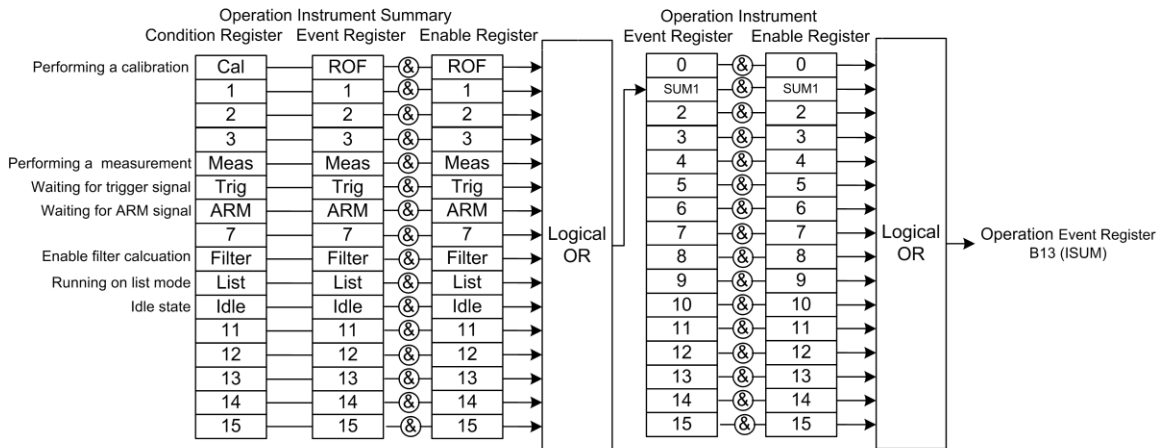
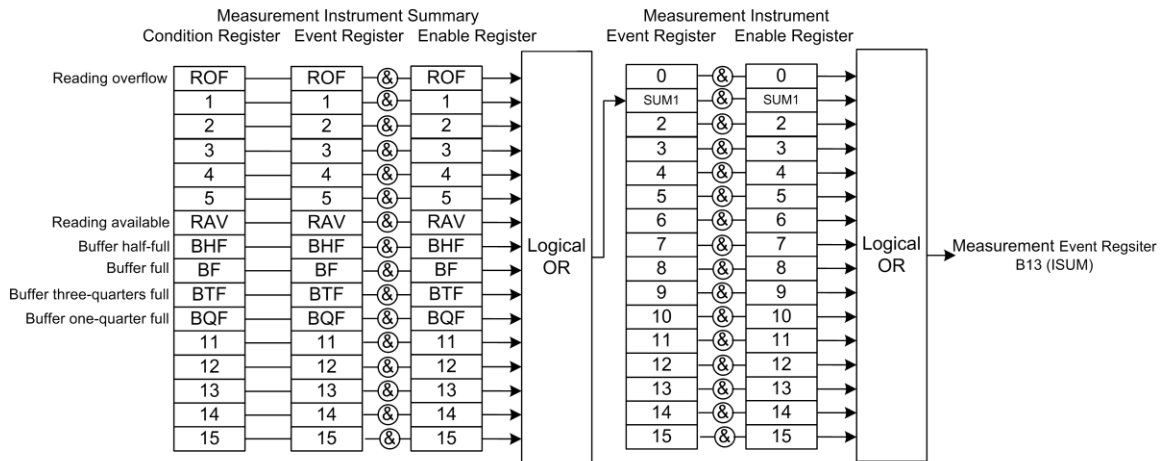


Figure 154: Status model measurement registers

Programming and reading registers

When you write to or read a status register, you can use binary, decimal, or hexadecimal values to represent the binary values of the bit states. When the value is converted to its binary equivalent, you can determine which bits are set on or clear. Zero (0) indicates that all bits are clear.

Programming enable registers

You can program the bits in the enable registers of the status model registers.

When you program an enable register bit to 0, no action occurs if the bits in the corresponding registers are set (1).

When you program an enable register bit to 1, if the bits in the corresponding registers are set (1), the AND condition occurs.

You must program all bits in an enable register at the same time. This means that you need to determine what each bit value in the register will be, then add them together to determine the value of all the bits in the register. See [Register bit descriptions](#) (on page D-8) for more information on determining the value of the bits in the registers.

For example, you might want to enable the Standard Event Register to set the event status bit (ESB) in the Status Byte Register whenever an operation complete event occurs or whenever an operation did not execute properly because of an internal condition. To do this, set bits 0 and 3 of the Standard Event Status Enable Register to 1. These bits have decimal values of 1 and 8, so to set both bits to 1, set the register to 9 by sending SCPI command `*ese 9`.

Reading the registers

You can read any register in the Status Model. The response is a decimal value that indicates which bits in the register are set. See [Register bit descriptions](#) (on page D-8) for information on how to convert the decimal value to bits.

You can use the query commands in the [STATus subsystem](#) (on page 7-133) or send common commands to read registers. For example, you can send the following command to read the Status Enable Register of the Standard Event Register:

```
*ESE?
```

Clearing the registers

Registers in the status model can be cleared using commands or by instrument actions. When a register is cleared, the bits in the register are set to 0.

The event log and all registers are cleared when instrument power is cycled.

Send the command `*CLS` to clear the following event registers and error queue:

- Standard Event Register
- Operation Event Register
- Operation Instrument Event Register
- Operation Instrument Summary Event Register
- Questionable Event Register
- Questionable Instrument Event Register
- Questionable Instrument Summary Event Register
- Measurement Event Register
- Measurement Instrument Event Register
- Measurement Instrument Summary Event Register
- Status Byte register
- Error queue

In addition to this command, any enable register can be reset by sending the 0 parameter value with the individual command to program the register.

Status byte and service request

The Status Byte Register monitors the registers and queues in the status model and generates service requests (SRQs).

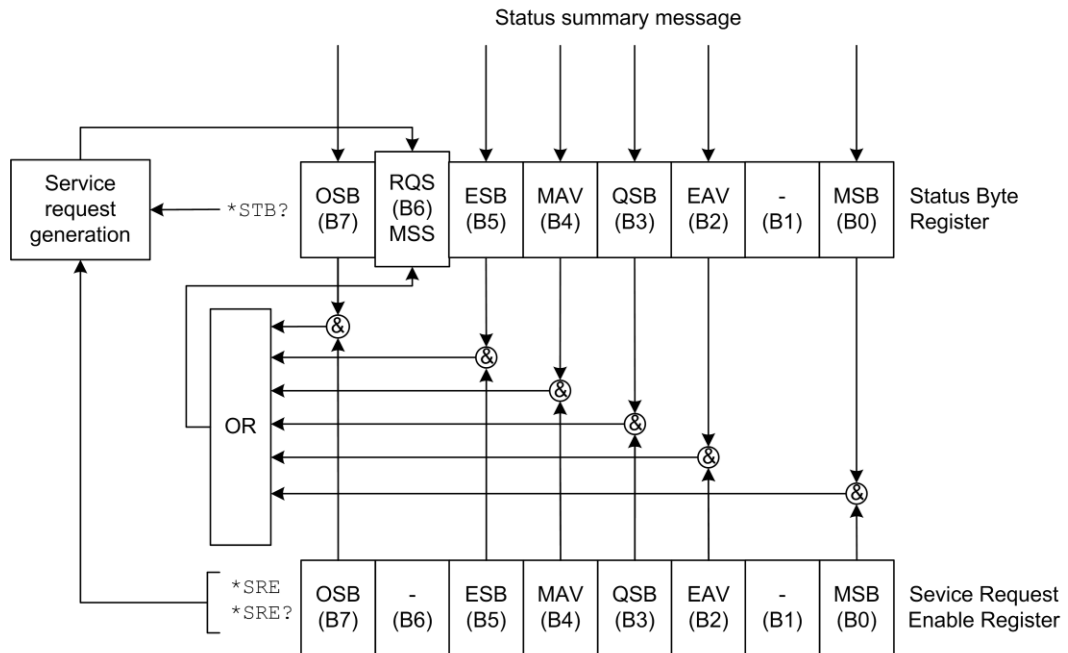
When bits are set in the status model registers and queues, they generate summary messages that set or clear bits of the Status Byte Register. You can enable these bits to generate an SRQ.

Service requests (SRQs) instruct the controller that the instrument needs attention or that some event has occurred. When the controller receives an SRQ, the controller can interrupt existing tasks to perform tasks that address the request for service.

Status Byte Register

The Status Byte Register consists of two 8-bit registers that control service requests, the Status Byte Register, and the Service Request Enable Register. These summary bits do not latch, and their states (0 or 1) are solely dependent on the summary messages (0 or 1). For example, if the Standard Event Register is read, its register will clear. As a result, its summary message will reset to 0, which then will reset the ESB bit in the Status Byte Register. These registers are shown in the following figure.

Figure 155: 2281S-20-6 Status Byte Register



The bits of the Status Byte Register are described in the following table:

Bit	Decimal value	Bit name	When set, indicates the following has occurred:
0	1	Measurement summary bit (MSB)	An enabled measurement event
1	2	Not used	Not applicable
2	4	Error available (EAV)	An error is present in the error queue (warning and information messages do not affect this bit)
3	8	Questionable summary bit (QSB)	An enabled questionable event
4	16	Message available (MAV)	A response message is present in the output queue
5	32	Event summary bit (ESB)	An enabled standard event
6	64	Request for service (RQS)/Master summary status (MSS)	An enabled summary bit of the Status Byte Register is set; depending on how it is used, this is either the Request for Service (RQS) bit or the Master Summary Status (MSS) bit
7	128	Operation summary bit (OSB)	An enabled operation event

Service Request Enable Register

This register is programmed by the user and is used to enable or disable the setting of bit B6 (RQS/MSS) by the Status Summary Message bits (B0, B1, B2, B3, B4, B5, and B7) of the Status Byte Register. As shown in the [Status Byte Register](#) (on page D-6) topic, a logical AND operation is performed on the summary bits (&) with the corresponding enable bits of the Service Request Enable Register. When a logical AND operation is performed with a set summary bit (1) and with an enabled bit (1) of the enable register, the logic “1” output is applied to the input of the logical OR gate and, therefore, sets the MSS/RQS bit in the Status Byte Register.

The individual bits of the Service Request Enable Register can be set or cleared by using the `*SRE` common command. To read the Service Request Enable Register, use the `*SRE?` query. The Service Request Enable Register clears when power is cycled or a parameter value of 0 is sent with a status request enable command (for example, `*SRE 0` is sent). You can program and read the SRQ Enable Register using the following commands.

Description	SCPI command
Read the Status Request Enable Register	<code>*SRE?</code>
Enable bits in the Status Request Enable Register	<code>*SRE</code>

Status register sets

The 2281S-20-6 status structure contains the following status register sets:

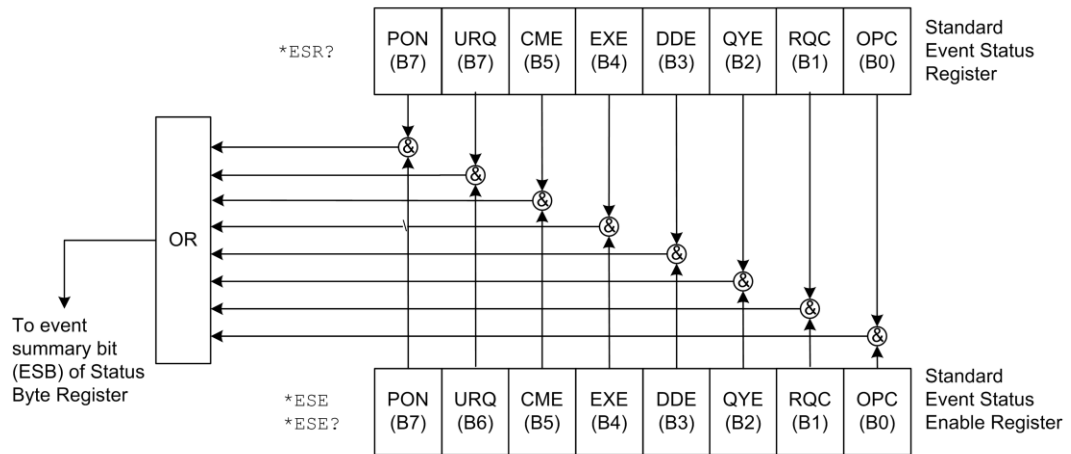
- Standard Event Register
- Operation Event Register
- Operation Instrument Event Register
- Operation Instrument Summary Event Register
- Questionable Event Register
- Questionable Instrument Event Register
- Questionable Instrument Summary Event Register
- Measurement Event Register
- Measurement Instrument Event Register
- Measurement Instrument Summary Event Register

Register bit descriptions

Standard Event Register

The Standard Event Register records eight types of events that could occur in the instrument. See the following figure and table below it for details.

Figure 156: 2281S-20-6 Standard Event Register



Bit	Decimal value	Bit name	When set, indicates the following has occurred:
0	1	Operation complete (OPC)	All pending selected device operations are completed and the 2281S-20-6 is ready to accept new commands.
1	2	Request control (RQC). Not used.	Not applicable.
2	4	Query error (QYE)	An attempt was made to read data from an empty output queue.
3	8	Device error (DDE)	A device error has been detected.
4	16	Execution error (EXE)	An error was detected while the instrument was trying to execute a command.
5	32	Command error (CME)	A command error has occurred. See information following this table for descriptions of command errors.
6	64	User request (URQ)	An enabled summary bit of the Status Byte Register is set; depending on how it is used, this is either the request for service (RQS) bit or the master summary status (MSS) bit.
7	128	Power on (PON)	The instrument has been turned off and turned back on since the last time this register was read.

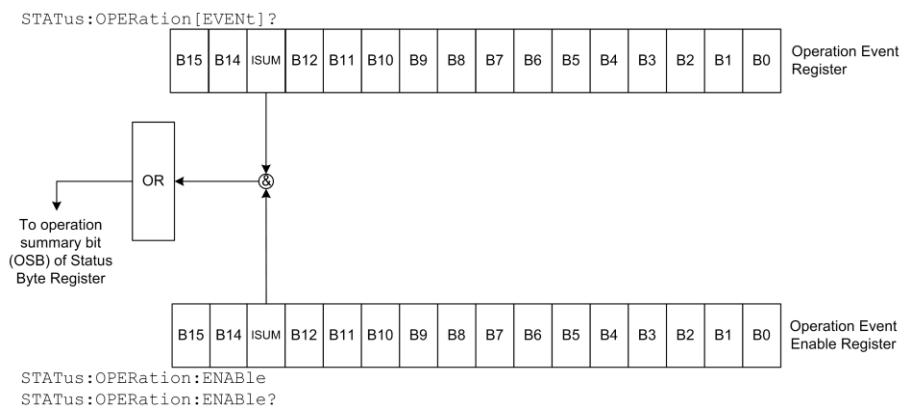
Command errors include:

- **IEEE Std 488.2 syntax error:** The instrument received a message that does not follow the defined syntax of the IEEE Std 488.2 standard.
- **Semantic error:** The instrument received a command that was misspelled or received an optional IEEE Std 488.2 command that is not implemented in the instrument.
- **GET error:** The instrument received a Group Execute Trigger (GET) inside a program message.

Operation Event Register

The Operation Event Register records the unexpected operation of the power supply. Bit 13 summarizes operation outputs of the power supply. See the following figure and table below it for details.

Figure 157: 2281S-20-6 Operation Event Register

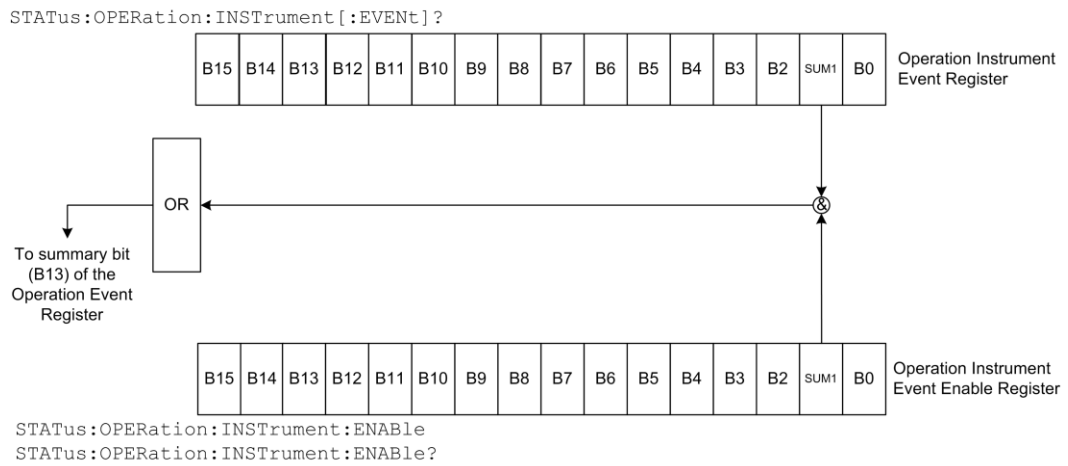


Bit	Decimal value	Bit name	When set, indicates the following has occurred:
0 through 12	Not used	Not used	Not applicable.
13	8192	ISUM	Summary of Operation Instrument Event Register and Operation Instrument Summary Event Register.
14 through 15	Not used	Not used	Not applicable.

Operation Instrument Event Register

Operation Instrument Event Register summarizes the Operation Instrument Summary Event Register. If bit 1 of the Operation Instrument Event Register is set and bit 1 of Operation Instrument Event Enable Register is enabled, bit 13 (ISUM) of the Operation Event Register is set.

Figure 158: 2281S-20-6 Operation Instrument Event Register

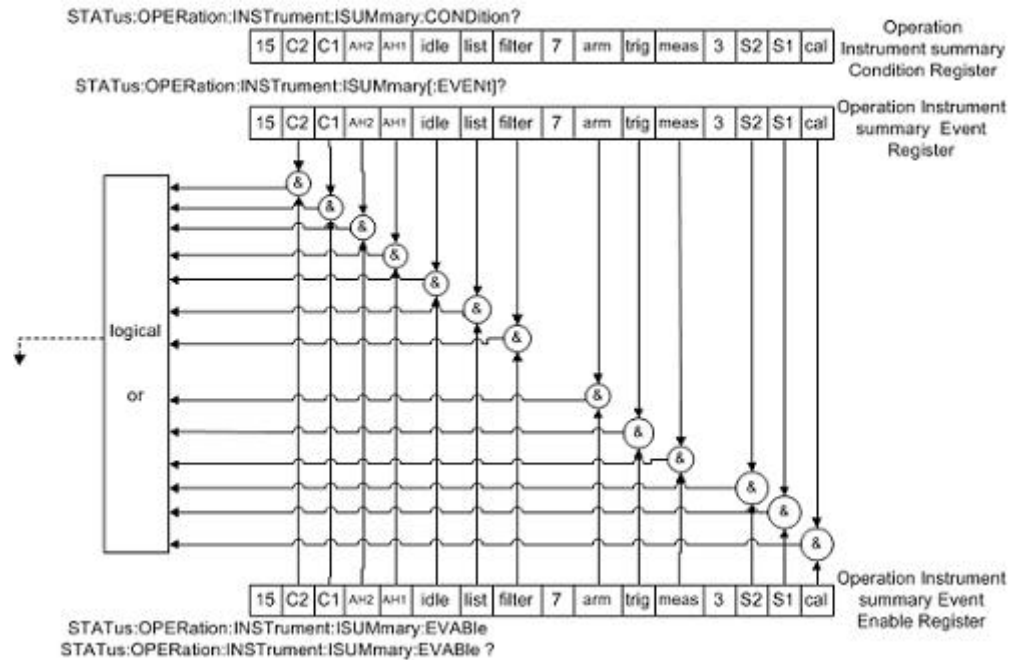


Bit	Decimal value	Bit name	When set, indicates the following has occurred:
0	Not used	Not used	Not applicable.
1	2	SUM1	Summary of Operation Instrument Summary Event Register.
2 through 15	Not used	Not used	Not applicable.

Operation Instrument Summary Event Register

The bits of the Operation Instrument Summary Event Register are described in the following figure and table.

Figure 159: 2281S-20-6 Operation Instrument Summary Event Register

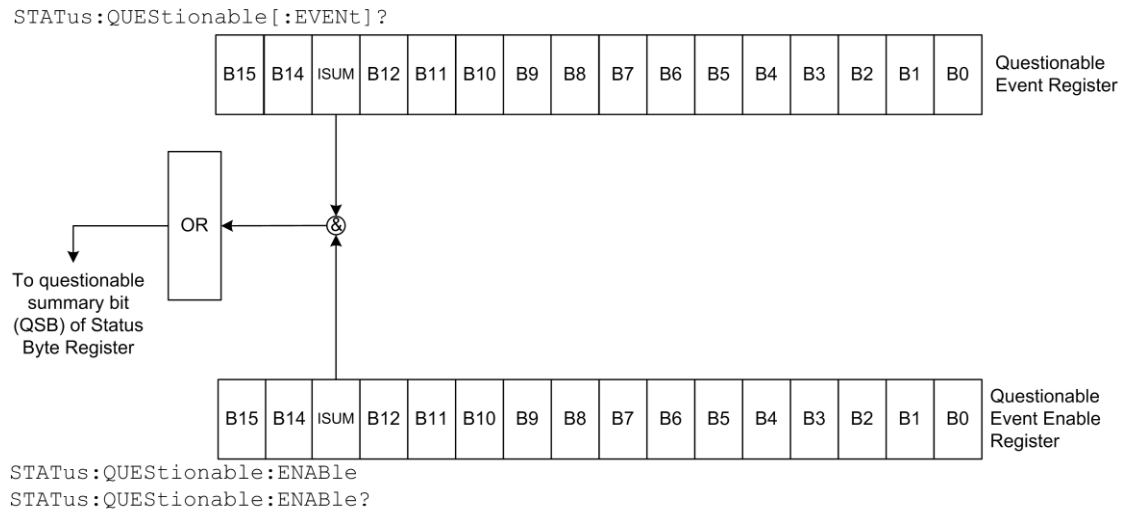


Bit	Decimal value	Bit name	When set, indicates the following has occurred:
0	1	Calibration (Cal)	The instrument is performing a calibration.
1 through 3	Not used	Not used	Not applicable.
4	16	Measurement (Meas)	The instrument is performing a measurement.
5	32	Trigger (Trig)	The instrument is in the trigger layer waiting for a trigger event to occur.
6	64	ARM	The instrument is in the ARM layer waiting for an arm event to occur.
7	128	Not used	Not applicable.
8	256	Filt	The filter has settled or the filter is disabled.
9	512	List	The instrument is running a list.
10	1024	Idle	The instrument is in idle mode.
11 through 15	Not used	Not used	Not applicable.

Questionable Event Register

The bits of the Questionable Event Register are described in the following figure and table.

Figure 160: 2281S-20-6 Questionable Event Register

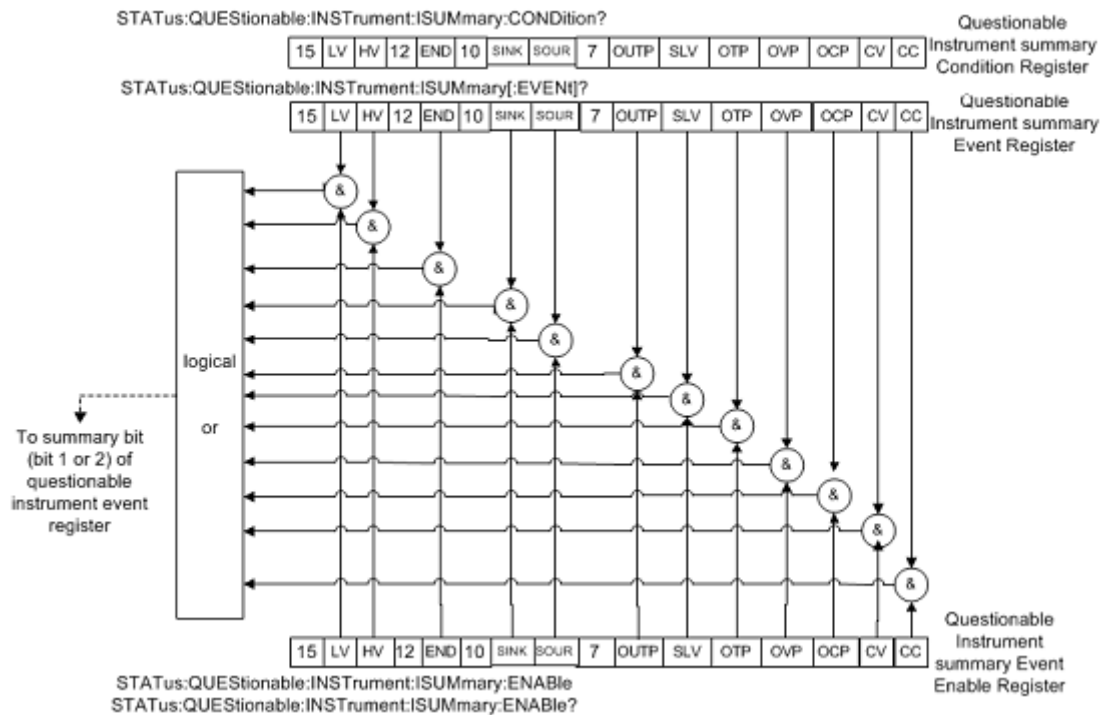


Bit	Decimal value	Bit name	When set, indicates the following has occurred:
0 through 12	Not used	Not used	Not applicable.
13	8192	ISUM	Summary of Questionable Instrument Event Register and Questionable Instrument Summary Event Register.
14 through 15	Not used	Not used	Not applicable.

Questionable Instrument Event Register

Questionable Instrument Event Register summarizes the Questionable Instrument Summary Event Register. If bit 1 of the Questionable Instrument Event Register is set and bit 1 of Questionable Instrument Event Enable Register is enabled, bit 13 (ISUM) of the Questionable Event Register is set. See the following figure and table below it for details.

Figure 161: 2281S-20-6 Questionable Instrument Event Register

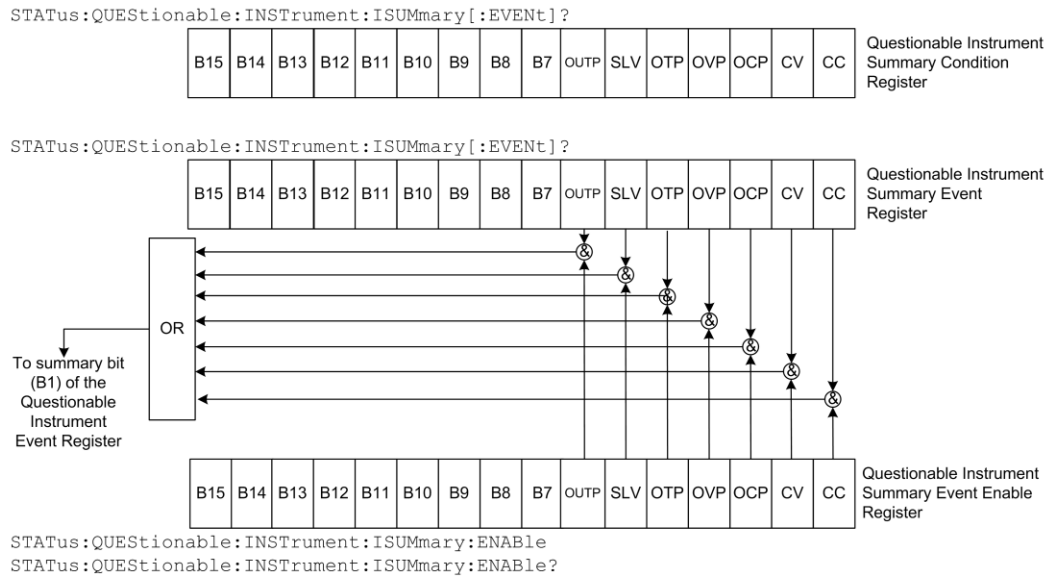


Bit	Decimal value	Bit name	When set, indicates the following has occurred:
0	Not used	Not used	Not applicable.
1	2	SUM1	Summary of Questionable Instrument Summary Event Register.
2 through 15	Not used	Not used	Not applicable.

Questionable Instrument Summary Event Register

The bits of Questionable Instrument Summary Event Register are described in the following figure and table.

Figure 162: 2281S-20-6 Questionable Instrument Summary Event Register

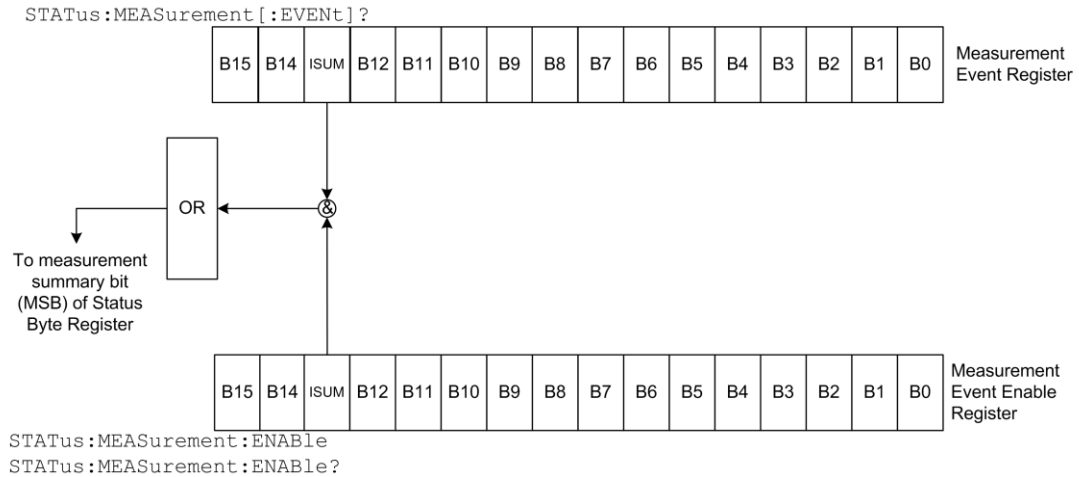


Bit	Decimal value	Bit name	When set, indicates the following has occurred:
0	1	CC	The output is in constant current mode.
1	2	CV	The output is in constant voltage mode.
2	4	OCP	The overcurrent protection circuit has tripped.
3	8	OVP	The overvoltage protection circuit has tripped.
4	16	OTP	The overtemperature protection circuit has tripped.
5	32	SLV	Sense leads are reversed.
6	64	OUTP	Output is enabled.
7 through 15	Not used	Not used	Not applicable.

Measurement Event Register

The bits of the Measurement Event Register are described in the following figure and table below it.

Figure 163: 2281S-20-6 Measurement Event Register

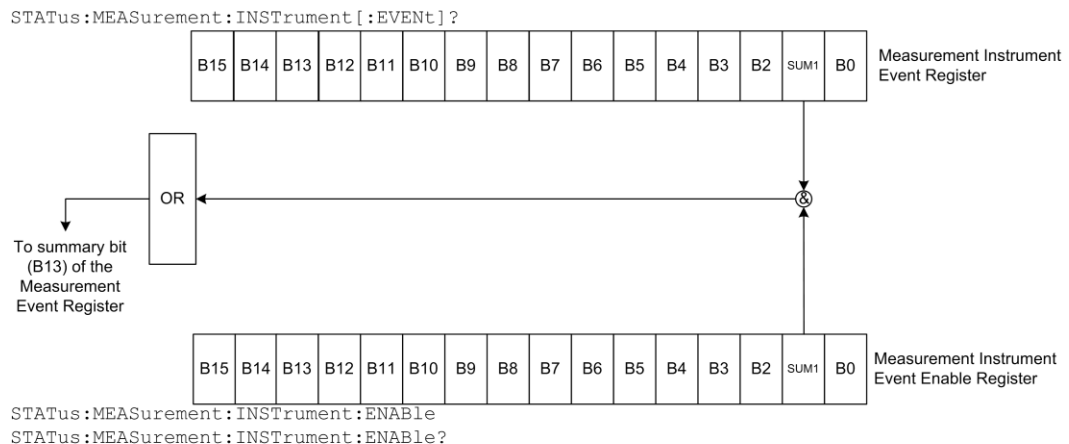


Bit	Decimal value	Bit name	When set, indicates the following has occurred:
0 through 12	Not used	Not used	Not applicable.
13	8192	ISUM	Summary of Measurement Instrument Event Register and Measurement Instrument Summary Event Register.
14 through 15	Not used	Not used	Not applicable.

Measurement Instrument Event Register

Measurement Instrument Event Register summarizes the Measurement Instrument Summary Event Register. If bit 1 of the Measurement Instrument Event Register is set and bit 1 of Measurement Instrument Event Enable Register is enabled, bit 13 (ISUM) of the Measurement Event Register is set. See the following figure and table below it for details.

Figure 164: 2281S-20-6 Measurement Instrument Event Register

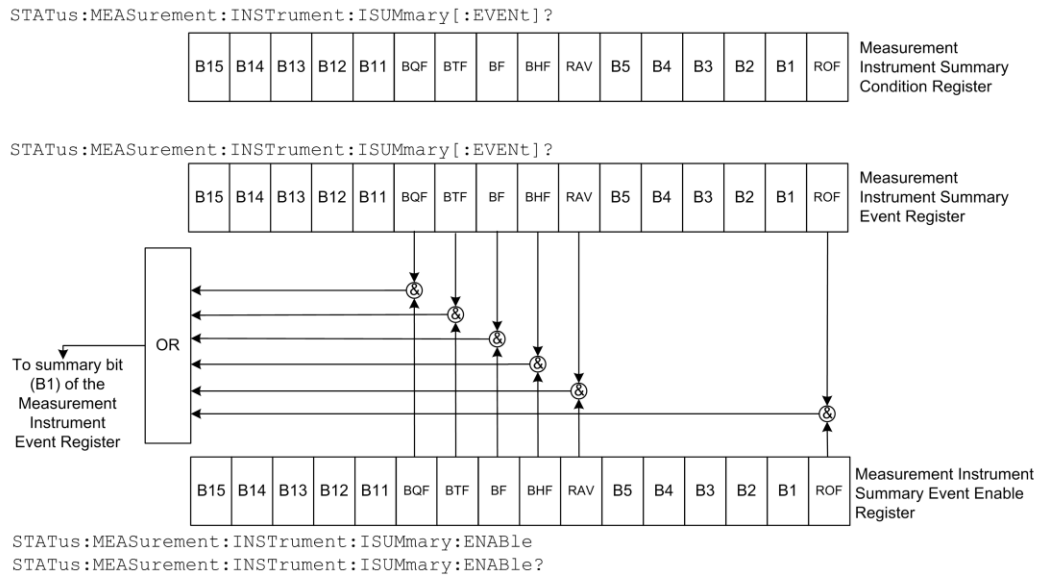


Bit	Decimal value	Bit name	When set, indicates the following has occurred:
0	Not used	Not used	Not applicable.
1	2	SUM1	Summary of Measurement Instrument Summary Event Register.
2 through 15	Not used	Not used	Not applicable.

Measurement Instrument Summary Event Register

The bits of the Measurement Instrument Summary Event Register are described in the following figure and table.

Figure 165: 2281S-20-6 Measurement Instrument Summary Event Register



Bit	Decimal value	Bit name	When set, indicates the following has occurred:
0	1	ROF	Reading overflow
1 through 5	Not used.	Not used	Not applicable.
6	64	RAV	Reading is available.
7	128	BHF	Buffer is half-full.
8	256	BF	Buffer is full.
9	512	BTF	Buffer is three-quarters full.
10	1024	BQF	Buffer is one-quarter full.
11 through 15	Not used	Not used	Not applicable.

Event registers

Each status register set has an event register. When an event occurs, the appropriate event register bit sets to 1. The bit remains latched to 1 until the register is reset. Reading an event register clears the bits of that register. The *CLS command resets all the event registers.

The commands to read the event registers are described in [STATus subsystem](#) (on page 7-133).

Event enable registers

Each status register has an enable register. Each event register bit is logically ANDed (&) to a corresponding enable bit of an enable register. Therefore, when an event bit is set and the corresponding enable bit is set (as programmed by the user), the output (summary) of the register will set to 1.

The commands to program and read the event enable registers are described in [STATus subsystem](#) (on page 7-133).

Condition registers

The 2281S-20-6 has the following condition registers:

- Operation Instrument Summary Condition Register
- Questionable Instrument Summary Condition Register
- Measurement Instrument Summary Condition Register

A condition register is a real-time, read-only register that constantly updates to reflect the present operating conditions of the instrument. For example, while the 2281S-20-6 is in the idle state, bit B10 (idle) of the Operation Instrument Summary Condition Register will be set. When the instrument is taken out of the idle state, bit B10 clears.

Queues

The instrument includes an Output Queue and an Error Queue. The Output Queue holds messages from readings and responses. The Error Queue holds error messages from the event log. Both are first-in, first-out (FIFO) registers.

Output queue

The output queue holds response messages to query and print the commands.

When data is placed in the output queue, the message available (MAV) bit in the Status Byte Register is set. The bit is cleared when the output queue is empty.

To clear data from the output queue, read the messages. To read a message from the output queue, address the instrument to talk after the appropriate query is sent.

Error queue

The error queue holds error messages. When an error occurs, a message that defines the error is placed in the error queue. When a message is placed in the error queue, the error available (EAV) bit in the Status Byte Register is set. An error message is cleared from the error queue when it is read. The error queue is considered cleared when it is empty. An empty error queue clears the EAV bit in the Status Byte Register.

The error queue holds up to 64 error messages. If the queue becomes full, the message “-350, 'Queue Overflow'” will occupy the last memory location. On power-up, the error queue is empty. When empty, the message “0, No Error” is placed in the queue. Messages in the error queue are preceded by a code number. Negative (-) numbers are used for SCPI-defined messages and positive (+) numbers are used for Keithley-defined messages. See Troubleshooting for details.

You can clear the error queue by sending the common command:

```
*CLS
```

In addition, you can send the command:

```
:SYSTem:ERRor:CLEar
```

Serial polling and SRQ

Any enabled event summary bit that goes from 0 to 1 sets bit B6 and generates a service request (SRQ).

In your test program, you can periodically read the Status Byte to check if an SRQ has occurred and what caused it. If an SRQ occurs, the program can, for example, branch to an appropriate subroutine that will service the request.

SRQs can be managed by the serial poll sequence of the instrument. If an SRQ does not occur, bit B6 (RQS) of the Status Byte Register remains cleared, and the program proceeds normally after the serial poll is performed. If an SRQ does occur, bit B6 of the Status Byte Register is set, and the program can branch to a service subroutine when the SRQ is detected by the serial poll.

The serial poll automatically resets RQS of the Status Byte Register. This allows subsequent serial polls to monitor bit B6 for an SRQ occurrence that is generated by other event types.

For common commands, B6 is the MSS (Message Summary Status) bit. The serial poll does not clear the MSS bit. The MSS bit stays set until all enabled Status Byte Register summary bits are reset.

Status model programming examples

The following examples illustrate how to generate an SRQ using the status model.

SRQ when reading buffer becomes full

This example shows you how to generate an SRQ when the 2281S-20-6 reading buffer is full. This is useful to notify the controlling computer that it needs to read back the data and empty the buffer. After configuring the status model, this code configures the reading buffer 1 to a size of 10, and then configures the instrument to fill the buffer. After the buffer is full, the instrument generates an SRQ and returns the data.

Using SCPI commands:

```
*RST
*CLS
STAT:MEAS:INST:ISUM:ENAB 256
STAT:MEAS:INST:ENAB 2
STAT:MEAS:ENAB 8192
*SRE 1
TRAC:CLE
TRAC:POIN 10
SOUR:VOLT 1
TRIG:COUN 10
OUTP ON
INIT
*WAI
OUTP OFF
TRAC:DATA:SEL? 1, 10, "READ"
```

SRQ when trigger model is finished

This example shows you how to generate an SRQ when the trigger model is completed and the power supply has returned to the idle state. After configuring the status model, this code will configure and run the trigger model. When the trigger model completes, the instrument will generate an SRQ and the data will be returned.

Using SCPI commands:

```
*RST
:TRAC:CLE
:TRAC:POIN 10
*CLS
:STAT:OPER:INST:ISUM:ENAB 1024
:STAT:OPER:INST:ENAB 2
:STAT:OPER:ENAB 8192
*SRE 128
:SOUR:VOLT 1
:TRIG:COUN 10
:OUTP ON
:INIT
:*WAI
:TRAC:DATA? "READ"
```

Specifications are subject to change without notice.
All Keithley trademarks and trade names are the property of Keithley Instruments.
All other trademarks and trade names are the property of their respective companies.

Keithley Instruments
Corporate Headquarters • 28775 Aurora Road • Cleveland, Ohio 44139 • 440-248-0400 • Fax: 440-248-6168 • 1-888-KEITHLEY • www.keithley.com

A Greater Measure of Confidence