

Instructions

Tektronix

**P6246 400 MHz & P6247 1 GHz
Differential Probes**

**Sondes différentielles
P6246 400 MHz et P6247 1 GHz**

**P6246型 400MHz / P6247型 1GHz
差動プローブ**

**P6246 400 MHz & P6247 1 GHz
차동 프로브**

070-9898-04



S J ELECTRONICS
POWER • TEST & MEASUREMENT



0800 583 4455



sales@sjelectronics.co.uk

VISIT 
WEBSITE



Copyright © Tektronix, Inc. All rights reserved.

Tektronix products are covered by U.S. and foreign patents, issued and pending. Information in this publication supercedes that in all previously published material. Specifications and price change privileges reserved.

Tektronix, Inc., P.O. Box 500, Beaverton, OR 97077

TEKTRONIX, TEK, and TEKPROBE are registered trademarks of Tektronix, Inc.

KlipChip, TwinFoot, and TwinTip are trademarks of Tektronix, Inc.

WARRANTY

Tektronix warrants that the products that it manufactures and sells will be free from defects in materials and workmanship for a period of one (1) year from the date of shipment. If a product proves defective during this warranty period, Tektronix, at its option, either will repair the defective product without charge for parts and labor, or will provide a replacement in exchange for the defective product.

In order to obtain service under this warranty, Customer must notify Tektronix of the defect before the expiration of the warranty period and make suitable arrangements for the performance of service. Customer shall be responsible for packaging and shipping the defective product to the service center designated by Tektronix, with shipping charges prepaid. Tektronix shall pay for the return of the product to Customer if the shipment is to a location within the country in which the Tektronix service center is located. Customer shall be responsible for paying all shipping charges, duties, taxes, and any other charges for products returned to any other locations.

This warranty shall not apply to any defect, failure or damage caused by improper use or improper or inadequate maintenance and care. Tektronix shall not be obligated to furnish service under this warranty a) to repair damage resulting from attempts by personnel other than Tektronix representatives to install, repair or service the product; b) to repair damage resulting from improper use or connection to incompatible equipment; c) to repair any damage or malfunction caused by the use of non-Tektronix supplies; or d) to service a product that has been modified or integrated with other products when the effect of such modification or integration increases the time or difficulty of servicing the product.

THIS WARRANTY IS GIVEN BY TEKTRONIX IN LIEU OF ANY OTHER WARRANTIES, EXPRESS OR IMPLIED. TEKTRONIX AND ITS VENDORS DISCLAIM ANY IMPLIED WARRANTIES OF MERCHANTABILITY OR FITNESS FOR A PARTICULAR PURPOSE. TEKTRONIX' RESPONSIBILITY TO REPAIR OR REPLACE DEFECTIVE PRODUCTS IS THE SOLE AND EXCLUSIVE REMEDY PROVIDED TO THE CUSTOMER FOR BREACH OF THIS WARRANTY. TEKTRONIX AND ITS VENDORS WILL NOT BE LIABLE FOR ANY INDIRECT, SPECIAL, INCIDENTAL, OR CONSEQUENTIAL DAMAGES IRRESPECTIVE OF WHETHER TEKTRONIX OR THE VENDOR HAS ADVANCE NOTICE OF THE POSSIBILITY OF SUCH DAMAGES.

Table of Contents

General Safety Summary	3
Preface	5
Related Manuals	5
Contacting Tektronix	6
Getting Started	7
Features and Accessories	7
Installation	12
Instruments with the TekProbe II Interface (Tektronix TDS 400, 500, 600, and 700 Series Oscilloscopes)	13
Instruments without the TekProbe II Interface	13
Operating Basics	14
Input Voltage Limits	14
Maximum Input Voltage	14
Common-Mode Signal Range	14
Differential-Mode Signal Range	15
Attenuation Settings	15
DC Reject	15
Probe Grounding	16
Input Impedance and Probe Loading	17
Common-Mode Rejection	18
Probing Techniques to Maximize CMRR	19
Reference	20
Problems with Single-Ended Measurements	20
Differential Measurements	20
Common-Mode Rejection Ratio	21
Assessing CMRR Error	21
Input Impedance Effects on CMRR	22
Extending the Input Leads	22
Extending the Ground Lead	23
Extending the Probe Output	23
Terminating the Probe	23
Effect of Extending the Output Cable	24
Using the Probe with Other Instruments	24

Table of Contents

Specifications 25
Warranted Characteristics 25
Typical Characteristics 27
Nominal Characteristics 30



Preface

This manual contains instructions and specifications for using the P6246 and P6247 differential probes.

Related Manuals

For performance verification procedures, adjustment procedures, list of replaceable parts, and other service information, refer to the *P6246 & P6247 Service Manual (070-9899-XX)*.

Contacting Tektronix

Product support	<p>For questions about using Tektronix measurement products, call toll free in North America: 1-800-833-9200 6:00 a.m. - 5:00 p.m. Pacific time</p> <p>Or contact us by e-mail: tm_app_supp@tek.com</p> <p>For product support outside of North America, contact your local Tektronix distributor or sales office.</p>
Service support	<p>Tektronix offers extended warranty and calibration programs as options on many products. Contact your local Tektronix distributor or sales office.</p> <p>For a listing of worldwide service centers, visit our web site.</p>
For other information	<p>In North America: 1-800-833-9200 An operator can direct your call.</p>
To write us	<p>Tektronix, Inc. P.O. Box 500 Beaverton, OR 97077-1000 USA</p>
Web site	<p>www.Tektronix.com</p>



General Safety Summary

Review the following safety precautions to avoid injury and prevent damage to this product or any products connected to it. To avoid potential hazards, use this product only as specified.

To Avoid Fire or Personal Injury

Ground the Product. This product is grounded through the grounding conductor of the power cord. To avoid electric shock, the grounding conductor must be connected to earth ground. Before making connections to the input or output terminals of the product, ensure that the product is properly grounded.

Observe All Terminal Ratings. To avoid fire or shock hazard, observe all ratings and marking on the product. Consult the product manual for further ratings information before making connections to the product.

Do not apply a potential to any terminal, including the common terminal, that exceeds the maximum rating of that terminal.

Do Not Operate Without Covers. Do not operate this product with covers or panels removed.

Do Not Operate With Suspected Failures. If you suspect there is damage to this product, have it inspected by qualified service personnel.

Do Not Operate in Wet/Damp Conditions.

Do Not Operate in an Explosive Atmosphere.

Keep Product Surfaces Clean and Dry.

Safety Terms and Symbols

Terms in This Manual. These terms may appear in this manual:



WARNING. *Warning statements identify conditions or practices that could result in injury or loss of life.*



CAUTION. *Caution statements identify conditions or practices that could result in damage to this product or other property.*

Terms on the Product. These terms may appear on the product:

DANGER indicates an injury hazard immediately accessible as you read the marking.

WARNING indicates an injury hazard not immediately accessible as you read the marking.

CAUTION indicates a hazard to property including the product.

Symbols on the Product. These symbols may appear on the product:



WARNING
High Voltage



Protective Ground
(Earth) Terminal



CAUTION
Refer to Manual



Double
Insulated

Getting Started

The P6246 and P6247 are high-bandwidth differential probes with the TekProbe II interface. The P6246 probe has a bandwidth of 400 MHz and the P6247 has a bandwidth of 1 GHz. Both probes have low circuit loading, high common-mode rejection, and come with accessories that accommodate a wide variety of applications.

The TekProbe II interface is standard on Tektronix TDS Series oscilloscopes. The Tektronix 1103 TekProbe Power Supply can be used for instruments without the TekProbe interface (refer to page 11).

Features and Accessories

Table 1 shows the features and standard accessories of the P6246 and P6247 differential probes.

Table 1: P6246 and P6247 features and standard accessories

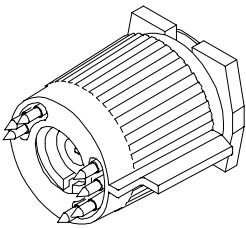


Feature/Accessory	Description
	<p>TekProbe II interface. The TekProbe II interface supplies power to the probe, selects the correct display scaling, and automatically sets the 50 Ω termination on the oscilloscope input.</p> <p>If your oscilloscope does not have the TekProbe II interface, you can use the optional 1103 power supply (refer to page 11).</p>
<p>BANDWIDTH FULL  200 MHz</p>	<p>Bandwidth limit. The bandwidth limit switch selects either the specified bandwidth of the probe or limits the bandwidth to 200 MHz.</p>
<p>ATTENUATION $\div 10$  $\div 1$</p>	<p>Probe attenuation. The attenuation switch selects either divide by 1 ($\div 1$) or divide by 10 ($\div 10$).</p>

Table 1: P6246 and P6247 features and standard accessories (Cont.)


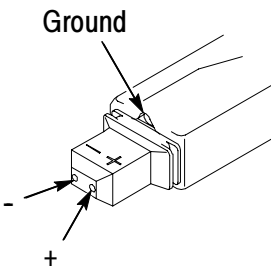
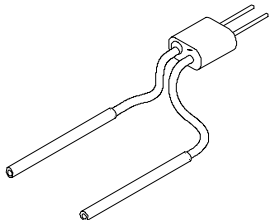
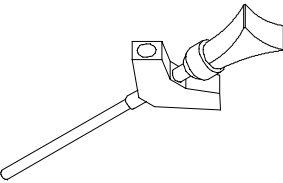
Feature/Accessory	Description
<p>DC REJECT ON  OFF</p>	<p>DC reject. The ON position passes only the AC component down to 4 Hz in the $\div 10$ setting and 0.4 Hz in the $\div 1$ setting.</p> <p>The OFF position passes both DC and AC components of the signal.</p>
	<p>Input connections. The (+), (-), and ground connections of the probe head accept the standard and optional probe accessories. You can also plug the head directly onto a pair of 0.025-inch square pins that have the standard spacing of 0.100-inch on center.</p> <p>CAUTION: To avoid damaging the input connectors, do not insert anything larger than a 0.025-inch square pin into the inputs. To prolong the life of the connectors, use smooth gold-plated pins only.</p>
	<p>Y-lead adapter. The Y-lead adapter plugs directly into the probe. The socketed ends of the leads may be connected to the probe tips and accessories, or fitted onto 0.025-inch pins.</p>
	<p>Integrated circuit (IC) grabbers. Use the IC grabbers to probe the leads on dual-in-line packages (DIP).</p>

Table 1: P6246 and P6247 features and standard accessories (Cont.)

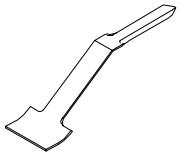
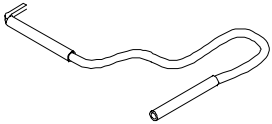
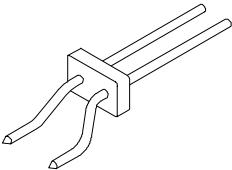
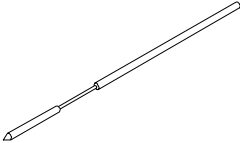
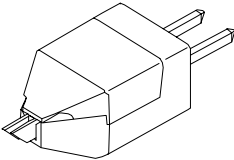
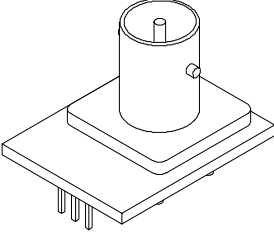
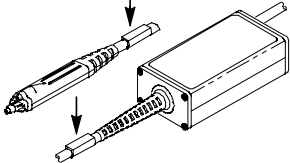
Feature/Accessory	Description
	<p>Short ground contact. Use the short ground lead for probing small geometry components that have a nearby ground point. The ground easily connects to adjacent square pins when the probe is plugged directly onto 0.025-inch square pins (0.100-inch spacing). See Figure 2 on page 17.</p>
	<p>Ground lead. Use the six-inch ground lead for connecting the probe ground to the circuit. The socketed end of the lead may be connected to the probe tips and accessories, or fitted onto 0.025-inch pins.</p>
	<p>TwinTip adapter. This accessory provides two adjustable tips for probing connections that are close to each other.</p>
	<p>Spring-loaded ground pin. Use the spring-loaded ground when probing components that have a nearby ground point.</p>
	<p>TwinFoot adapters. Use the TwinFoot adapter to probe two adjacent leads on a surface-mount integrated circuit. Flexible fingers adapt to a range of lead spacings. See Figure 5 on page 19.</p>
	<p>Probe-tip-to-BNC adapter. This accessory adapts the probe to a BNC connector.</p>
<p data-bbox="298 1688 521 1717">Color marker bands</p> 	<p>Color marker bands. Attach matching pairs of the color marker bands onto the cable at the head and compensation box of each probe. The marker bands enable quick verification of which probe is connected to which instrument channel.</p>

Table 1: P6246 and P6247 features and standard accessories (Cont.)

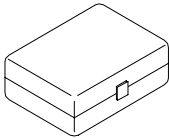
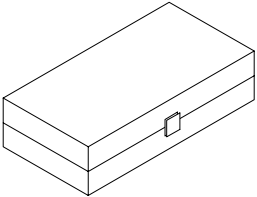
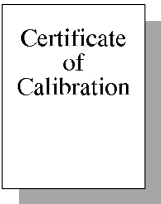
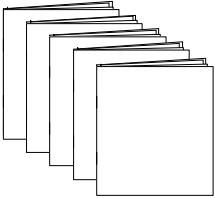

Feature/Accessory	Description
	<p>Probe tip accessory kit. This kit contains the following accessories:</p> <ul style="list-style-type: none"> 10 color marker bands 1 y-lead adapter 3 IC grabbers 2 short ground contacts 1 ground lead 2 TwinTip adapters 2 spring-loaded ground pin 2 TwinFoot adapters 1 probe-tip-to-BNC-adapter <p>Replacement part number: 020-2203-XX</p>
	<p>Instrument case. The instrument case protects the probe from harsh environments and provides room for storing optional accessories.</p> <p>Replacement part number: 016-1879-XX</p>
	<p>Calibration certificate. A certificate of traceable calibration is provided with every instrument shipped.</p>
	<p>Set of user instructions. (Includes this book) Provides instructions for operating the P6246 and P6247 differential probes in English, French, German, Japanese, and Korean.</p> <p>Replacement part number: 070-9898-XX</p>
	<p>Service information. Includes the performance verification procedures and a list of replaceable parts (English only).</p> <p>Replacement part number: 070-9899-XX</p>

Table 2 shows the optional accessories that you can order for the P6246 and P6247 differential probes.

Table 2: Optional accessories and instrument options

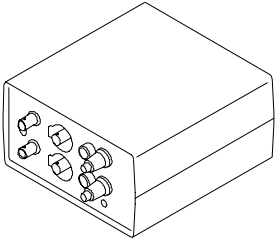
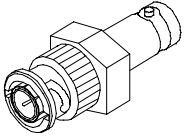
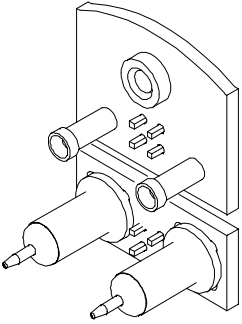
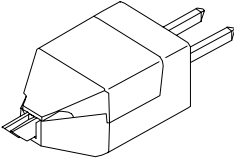
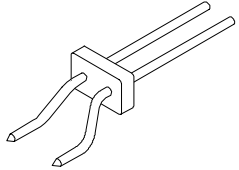
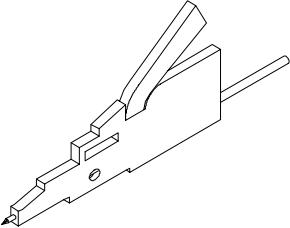
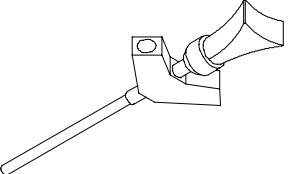
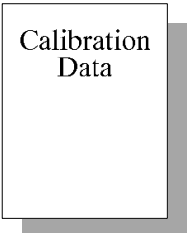
Accessory/Option	Description
	<p>1103 Power Supply. Order the 1103 power supply for instruments that do not have the TekProbe II Interface. Power cord options are available for the following countries or regions.</p> <p>Standard. North America and Japan</p> <p>Option A1. European</p> <p>Option A2. UK</p> <p>Option A3. Australia</p> <p>Option A5. Switzerland</p>
	<p>50 Ω Termination. Terminates the output of the 1103 power supply to the required 50 Ω if the oscilloscope does not have a 50 Ω input setting. Order 011-0049-01.</p> <p>50 Ω BNC cable. Connects to the 1103 output Part number: 012-0076-00</p>
	<p>P6046/HP1141A probe tip adapter. This accessory adapts the probe to fit test fixtures designed for either the Tektronix P6046 or Hewlett-Packard HP1141A differential probes.</p> <p>Part number: 013-0304-00</p>
	<p>Replacement TwinFoot adapters.</p> <p>Part number: 013-0306-04 (package of 4)</p>

Table 2: Optional accessories and instrument options (Cont.)

Accessory/Option	Description
	<p>Replacement TwinTip adapters. Part number: 013-0305-04 (package of 4)</p>
	<p>Replacement Micro KlipChip adapters. Order SMK4 (package of 4)</p>
	<p>Replacement IC grabbers. Order SMG50 (package of 20)</p>
	<p>Calibration data (Option 95). Option 95, which must be ordered at the time of purchase, documents the measurements taken during calibration.</p>

Installation

Before you connect the output of the P6246 or P6247 differential probe, determine whether or not your oscilloscope has a TekProbe II interface. See Figure 1.

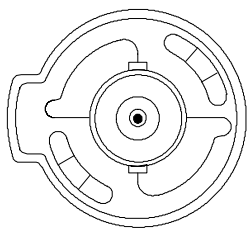


Figure 1: Input connector of TekProbe II interface

Instruments with the TekProbe II Interface (Tektronix TDS 400, 500, 600, and 700 Series Oscilloscopes)

On instruments that have the TekProbe II interface, simply connect the probe to the input. The TekProbe II interface provides power, selects the correct display scaling, and automatically sets the 50 Ω termination on the oscilloscope input.

NOTE. *TDS 400 and TDS 400A series oscilloscopes do not interpret the scale factor coding of the P6246 and P6247 differential probes. This problem is only apparent when the probe is in the $\div 1$ position. To correct for this problem, divide the measurement (or scale factor) by 10 when you use the probe in the $\div 1$ position.*

Instruments without the TekProbe II Interface

On instruments that do not have the TekProbe interface, you must order the optional 1103 power supply (refer to page 11). Each 1103 can supply power for two probes. The input of the oscilloscope must also terminate into 50 Ω . Refer to page 23 for information on the effects of extending the output of the probe.

When you set the attenuation of the probe, you must factor that attenuation into your measurement. For example, if the probe is set at $\div 10$ and the instrument displays a 0.2 V_{p-p} signal, the actual amplitude of the signal is 2 V_{p-p}.

Operating Basics

This section discusses operating considerations and probing techniques. For more detailed information about differential measurements and common-mode rejection (CMRR), see the *Reference* section on page 20.

Input Voltage Limits

The P6246 and P6247 differential probes are designed to probe low-voltage circuits. Before probing a voltage, take into account the limits for maximum input voltage, the common-mode signal range, and the differential-mode signal range.

Maximum Input Voltage

The maximum input voltage is the maximum voltage to ground that each input can withstand without damaging the input circuitry of the probe.



CAUTION. To avoid damaging the inputs of the P6246 and P6247 differential probes, do not apply more than ± 25 V (DC + peak AC) between each input and ground.

Common-Mode Signal Range

The common-mode signal range is the maximum voltage that you can apply to each input, with respect to earth ground, without saturating the input circuitry of the probe. A common-mode voltage that exceeds the common-mode signal range may produce an erroneous output waveform even when the differential-mode specification is met. For specifications, refer to page 25.

To verify the common-mode signal is within specification, set the probe to $\div 10$, temporarily connect one of the probe inputs to ground, and connect the other probe input to one output of the

differential signal. Repeat the procedure to test the other output of the differential signal.

Differential-Mode Signal Range

The differential-mode signal range is the maximum voltage difference between the (+) and (-) inputs that the probe can accept without distorting the signal. The distortion from a voltage that is too large can result in an invalid measurement. For specifications, refer to page 25.

Attenuation Settings

The differential probe has two attenuation settings: $\div 1$ and $\div 10$. The $\div 1$ setting provides the best signal-to-noise performance with low amplitude signals. The $\div 10$ setting increases the differential-mode signal range by a factor of 10.

DC Reject

The DC Reject mode eliminates the DC component from the probe output. DC reject is useful when using the probe with instruments that do not allow DC to be applied to their inputs (such as spectrum analyzers), or when measuring small amplitude signals superimposed on a large differential offset component.

DC reject generates an internal offset that cancels the DC component of the signal. This nulling method eliminates the need for input coupling capacitors which would greatly degrade CMRR performance and require plug-on attachments for the probe tip.

Because the input is always directly coupled, the DC reject mode does not increase the common and differential mode dynamic ranges for DC components. The DC reject mode also disables any capability of external offset adjustment.

Probe Grounding

Differential measurements are not the same as “floating” measurements. In addition to the (+) and (-) inputs on the probe head, there is also a ground (common) input. (See Figures 2 and 3.)



CAUTION. *To avoid damaging the circuitry under test, connect the probe ground (common) to a ground-reference point only.*

You can use the probe to take a differential measurement regardless of whether or not the ground (common) is connected.

There are some applications that may require a ground reference connection to maintain measurement accuracy. Generally this is necessary when probing circuits which are fully isolated from ground such as battery operated devices. In most applications, however, the common-mode impedance to ground is greater than the differential impedance. Hence, adding the probe ground lead does not improve the high-frequency performance of the measurement.

In addition to the 6-inch ground lead, there are other ground lead accessories that are useful in certain applications. Figure 2 on page 17 shows how to use the short ground contact. Figure 4 on page 19 shows the spring-loaded ground pin.

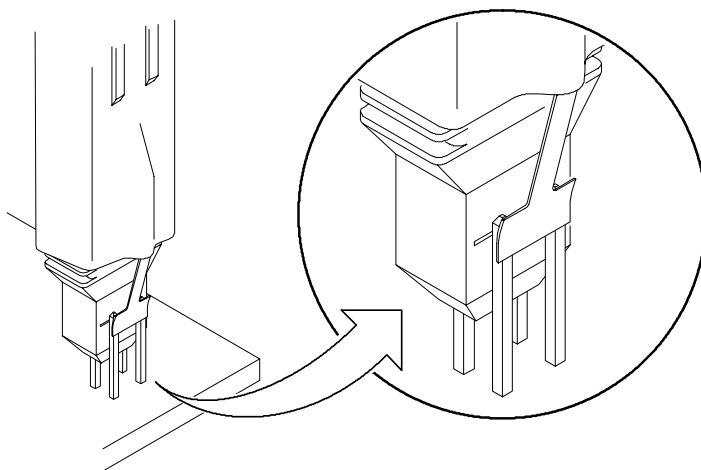


Figure 2: Using the short ground contact

Input Impedance and Probe Loading

When you connect the probe inputs to a circuit, you are introducing a new resistance, capacitance, and inductance into the circuit. Each input of the P6246 and P6247 differential probes has a characteristic input impedance of $100\text{ k}\Omega$ to ground in parallel with less than 1 pF . See Figure 3.

For signals with low source impedance and frequency, the $100\text{ k}\Omega$ input impedance on each input is large enough to prevent the inputs from loading the signal sources. The greater the source impedances and the higher the signal frequencies, the more you should take these factors into account.

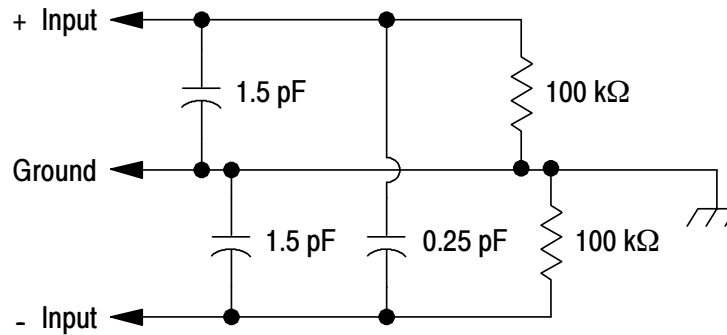


Figure 3: Typical probe input model

As the impedance of the signal source on an input increases, the more the probe loads the source and reduces the signal amplitude.

The frequency of the signal also affects signal measurement. As the frequency of the signal increases, the input impedance of the probe decreases. The lower the impedance of the probe relative to that of the source, the more the probe loads the circuit under test and reduces the signal amplitude. For a graph of frequency versus input impedance, refer to Figure 9 on page 29.

Common-Mode Rejection

The common-mode rejection ratio (CMRR) is the specified ability of P6246 and P6247 differential probes to reject signals that are common to both inputs. More precisely, CMRR is the ratio of the differential gain to the common-mode gain. The higher the ratio, the greater the ability to reject common-mode signals.

Common mode rejection decreases as the input frequency increases. Figure 8 on page 28 is a plot of typical CMRR of the probe versus input frequency. For a more extended discussion of CMRR, see page 21.

Probing Techniques to Maximize CMRR

The common-mode rejection of the probe is highest when using the accessories shown in Figures 4 and 5. These accessories minimize the distance between the probe head and the signal source.

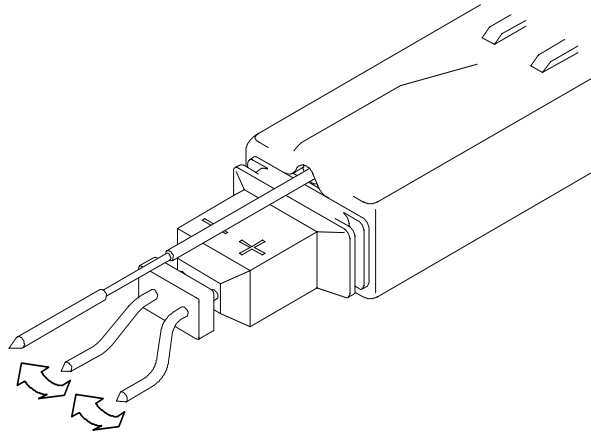


Figure 4: Using the input lead accessories to achieve high CMRR

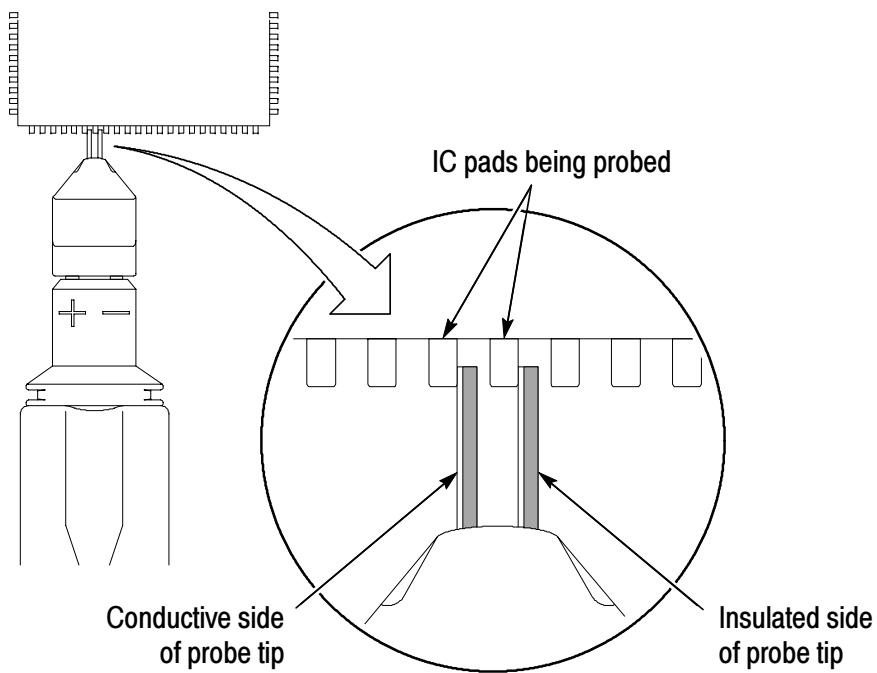


Figure 5: Using the TwinFoot adapter

Reference

This section contains important reference information about differential measurements and how to increase the accuracy of your measurements.

Problems with Single-Ended Measurements

While suitable in many applications, single-ended measurements can present problems in the following situations:

- when the signal is not referenced to earth ground
- when connecting or disconnecting the probe ground distorts the signal
- when connecting the signal reference to ground damages or upsets the circuit

Differential Measurements

Devices designed to make differential measurements avoid the problems posed by single-ended systems. These devices include a variety of differential probes, differential amplifiers, and isolators.

The differential amplifier (Figure 6) is at the heart of any device or system designed to make differential measurements. Ideally, the differential amplifier rejects any voltage that is common to the inputs and amplifies any difference between the inputs. Voltage that is common to both inputs is often referred to as the Common-Mode Voltage (V_{CM}) and voltage that is different as the Differential-Mode Voltage (V_{DM}).

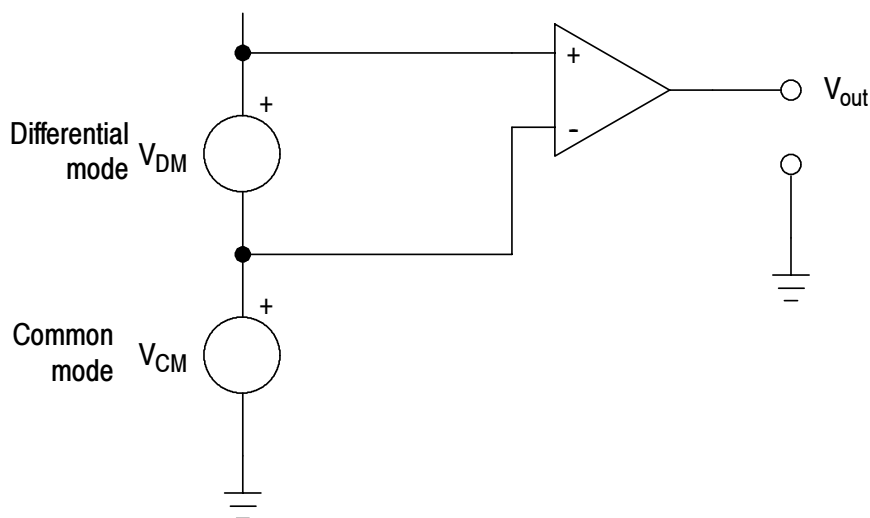


Figure 6: Simplified model of a differential amplifier

Common-Mode Rejection Ratio

In reality, differential amplifiers cannot reject all of the common-mode signal. The ability of a differential amplifier to reject the common-mode signal is expressed as the Common-Mode Rejection Ratio (CMRR). The CMRR is the differential-mode gain (A_{DM}) divided by the common-mode gain (A_{CM}). It is expressed either as a ratio or in dB.

$$CMRR = \frac{A_{DM}}{A_{CM}} \quad dB = 20 \log \frac{V_{DM}}{V_{CM}}$$

CMRR generally is highest (best) at DC and degrades with increasing frequency.

Assessing CMRR Error

Figure 8 on page 28 shows the CMRR of the P6246 and P6247 differential probes. This derating chart assumes a common-mode signal that is sinusoidal.

A quick way to assess the magnitude of CMRR error when the common-mode signal is not sinusoidal is to connect both leads to the same point in the circuit. The oscilloscope will display only the common-mode component which is not fully rejected by the probe. While this technique may not give you entirely accurate measurements, it does allow you to determine if the magnitude of the common-mode error signal is significant.

Input Impedance Effects on CMRR

The lower the input impedance of the probe relative to the source impedance, the lower the CMRR. See Figure 8 on page 28. Significant differences in the source impedance driving the two inputs will also lower the CMRR.

Extending the Input Leads

At times it may be necessary to extend the probe inputs with wires or a probe tip adapter. When you do this, you should minimize the lead lengths to optimize common-mode rejection and twist the input leads together as shown in Figure 7.

Twisting the input leads together does increase capacitance that may degrade high-frequency performance. You should take into account any effects caused by the extended leads when you take a measurement.



CAUTION. *To avoid damaging the input connectors, do not insert anything larger than a 0.025-inch square pin into the inputs.*

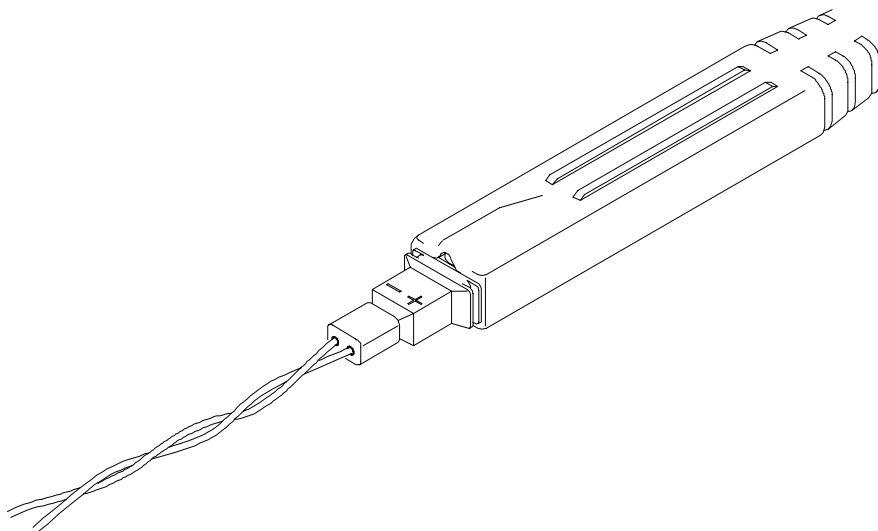


Figure 7: Twisting the Input Leads

Extending the Ground Lead

Extending the ground lead will have little, if any, affect on your measurements. In most circuits, the ground path from the differential source has sufficiently high impedance to damp out any ringing caused by lead inductance.

Extending the Probe Output

With the 1103 TekProbe power supply, it is possible to extend the output of the probe in order to connect the probe to other types of measurement instruments or simply to connect the probe to a signal source that is outside the reach of the probe.

Terminating the Probe

The probe must terminate into $50\ \Omega$ at the input of the measurement instrument. Use the 1103 TekProbe power supply to adapt the differential probe and set the input impedance of the measurement instrument to $50\ \Omega$. If the measurement instrument does not support $50\ \Omega$ input termination, connect a $50\ \Omega$ coaxial terminator on the input.

Effect of Extending the Output Cable

As the frequency of a signal increases, current flow concentrates at the outer edges of the conductor, effectively increasing the impedance. This effect is known as skin loss. The P6246 and P6247 probes contain circuitry to compensate for skin loss.

The compensation provides flat response with the probe cable. Extending the length of the output cable increases the amount of skin loss beyond the range of compensation correction. Minimizing the length of cable extension reduces the attenuation.

In critical applications which require high amplitude accuracy, the response of the probe with the extension should be characterized with a leveled signals source and power meter. The characterization results can then be factored into the measurement.

Using the Probe with Other Instruments

Besides the oscilloscope, it is possible to use the P6246 and P6247 differential probes with other types of measurement instruments. These instruments include, but are not limited to spectrum analyzers, time interval analyzers, and network analyzers.

When using the differential probes with these instruments you must normalize the probe with the instrument before making a measurement.

Specifications

The specifications in Tables 3 through 6 apply to a P6246 or P6247 probe installed on a Tektronix TDS 784A oscilloscope. When the probe is used with another oscilloscope, the oscilloscope must have an input impedance of 50 Ω and a bandwidth of 1 GHz. The probe must have a warm-up period of at least 20 minutes and be in an environment that does not exceed the limits described in Table 3. Specifications for the P6246 and P6247 differential probes fall into three categories: warranted, typical, and nominal characteristics.

Warranted Characteristics

Warranted characteristics (Tables 3) describe guaranteed performance within tolerance limits or certain type-tested requirements. Warranted characteristics that have checks in the *Performance Verification* section of the service manual (070-9899-XX) are marked with the ✓ symbol.

Table 3: Warranted electrical characteristics

✓ DC attenuation accuracy	$\pm 2\%$ for input voltages as follows: $\pm 750 \text{ mV } (\div 1)$ and $\pm 7.5 \text{ V } (\div 10)$ $\pm 5\%$ for input voltages as follows: $\pm 850 \text{ mV } (\div 1)$ and $\pm 8.5 \text{ V } (\div 10)$
Maximum non destructive input voltage	$\pm 25 \text{ V}_{(\text{DC} + \text{peak AC})}$ between signal and common of the same channel.
✓ Differential signal range (DC coupled)	$\pm 8.5 \text{ V}$ at attenuation setting of $\div 10$ $\pm 850 \text{ mV}$ at attenuation setting of $\div 1$
Common-mode signal range (DC coupled)	$\pm 7 \text{ V}$
✓ Output offset voltage	$\pm 10 \text{ mV}$ (+ 20° C to + 30° C) $\pm 50 \text{ mV}$ (0° C to + 60° C)
Rise time (probe only)	P6246: < 875 ps P6247: < 350 ps

Table 3: Warranted electrical characteristics (Cont.)

✓ Common-mode rejection ratio	45 dB at 1 MHz in ÷ 10 25 dB at 100 MHz in ÷ 10 20 dB at 500 MHz in ÷ 10 18 dB at 1 GHz in ÷ 10 60 dB at 1 MHz in ÷ 1 38 dB at 100 MHz in ÷ 1 35 dB at 500 MHz in ÷ 1 30 dB at 1 GHz in ÷ 1
✓ Bandwidth (probe only)	P6246: DC to ≥ 400 MHz (- 3dB) P6247: DC to ≥ 1 GHz (- 3dB)
Temperature	Operating: 0 to + 50° C 0 to + 60° C ¹ (probe head) Nonoperating: - 55 to + 75° C ¹
Humidity	Operating: 0-90% RH, tested at + 30 to + 50° C Nonoperating: 0-90% RH, tested at + 30 to + 60° C

¹ See warning that follows.



WARNING. To avoid a burn hazard at high ambient temperatures, do not touch the probe with bare hands at operating temperatures above + 50° C or at nonoperating temperatures above + 70° C.

Typical Characteristics

Typical characteristics (Tables 4 and 5) describe typical but not guaranteed performance.

Table 4: Typical electrical characteristics

Differential input resistance, DC coupled	200 k Ω
Input resistance, DC coupled	100 k Ω \pm 2%
Differential input capacitance	< 1 pF at 1 MHz
Common-mode input capacitance	< 2 pF at 1 MHz
Harmonic distortion	\leq 1.5% measured using 495 mV _{RMS} (or 1.4 V _{P-P}) output at 100 MHz
Differential offset range	\pm 700 mV (\div 1 setting) \pm 7 V (\div 10 setting)
Common mode rejection ratio	See Figure 8
Random noise	< 50 nV/ $\sqrt{\text{Hz}}$ at 100 MHz
Input impedance	See Figure 9
Bandwidth limit	-3 dB at 200 MHz
DC reject bandwidth	-3 dB at 4 Hz (\div 10 setting) -3 dB at 0.4 Hz (\div 1 setting)
Pass band ripple	P6246: \leq \pm 0.25 dB to the 3 dB bandwidth (deviation from a nominal slope) P6247: \leq \pm 0.25 dB to 850 MHz (deviation from a nominal slope)

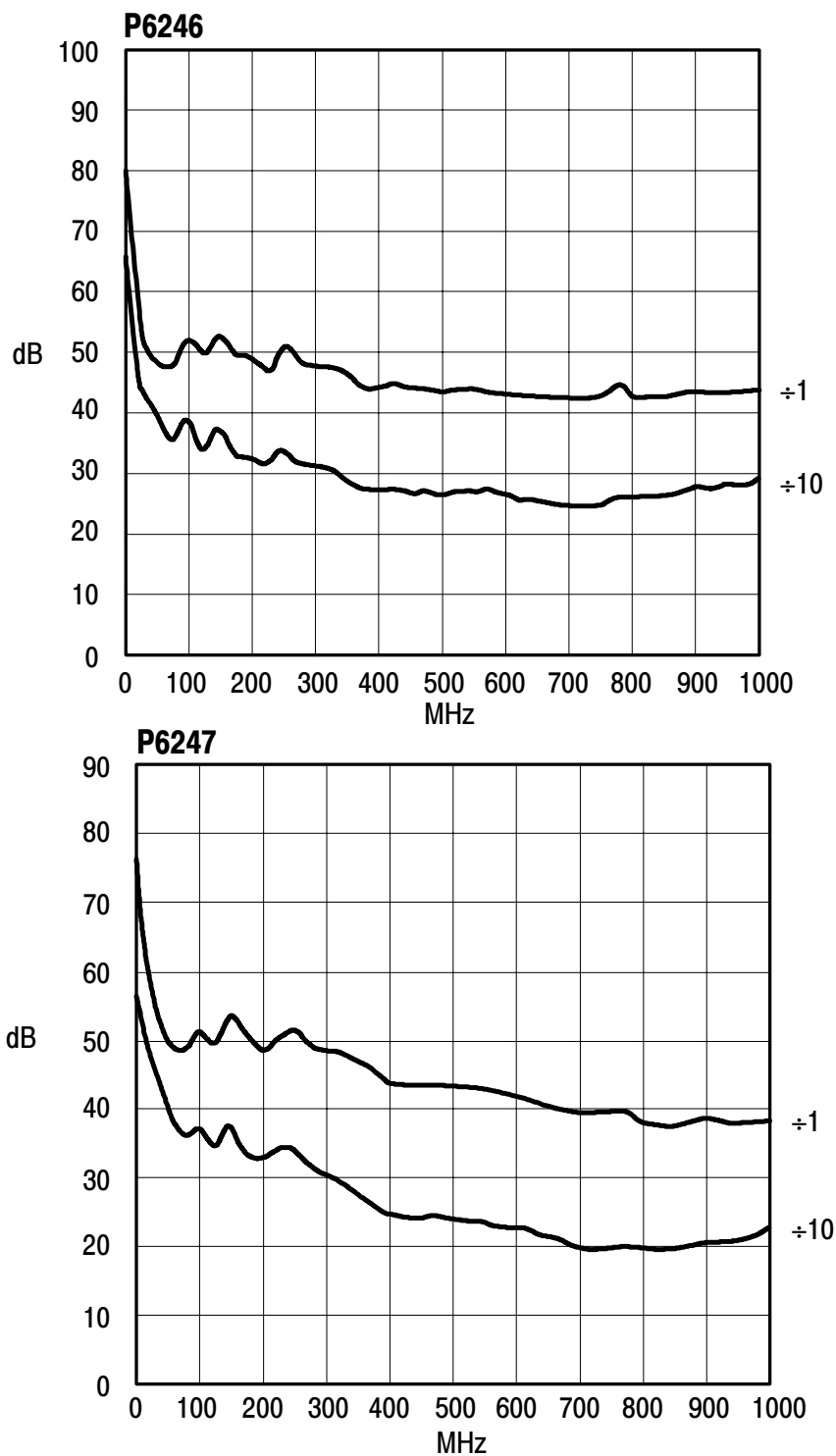


Figure 8: Typical Common-Mode Rejection Ratio ($\div 1$ and $\div 10$ attenuation)

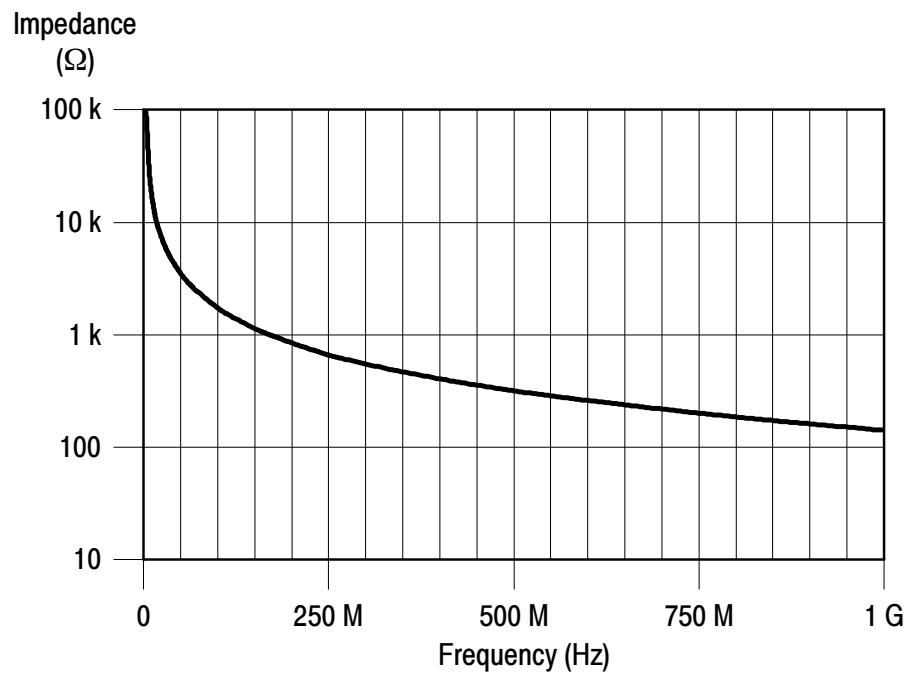


Figure 9: Typical input impedance versus frequency

Table 5: Typical mechanical characteristics

Dimensions, input connection	0.63 mm (0.025 in) square pin on 2.54 mm (0.100 in) centers
Dimensions, control box	107 mm × 41 mm × 26 mm (4.2 in × 1.6 in × 1.0 in)
Dimensions, probe head	78 mm × 12 mm × 9.3 mm (3.0 in × 0.47 in × 0.36 in)
Dimensions, output cable	1.2 m (47 in)
Unit weight (probe only)	160 g (5.4 oz)

Nominal Characteristics

Nominal characteristics (Table 6) describe guaranteed traits, but the traits do not have tolerance limits.

Table 6: Nominal electrical characteristics

Input configuration	Differential (two inputs, + and -), with case ground
Output coupling	DC and DC Reject
Attenuation settings	÷ 1 and ÷ 10
Termination	Terminate output into 50 Ω

Instructions

Tektronix

**Sondes différentielles
P6246 400 MHz et P6247 1 GHz
070-9898-04**

Copyright © Tektronix, Inc. Tous droits réservés.

Les produits Tektronix sont protégés aux Etats-Unis et à l'étranger par des brevets déjà obtenus ou dont la demande a été déposée. Les informations contenues dans ce manuel remplacent toute information publiée dans les documents précédents. Les privilèges de changement de prix et de spécifications sont réservés.

Tektronix, Inc., P.O. Box 500, Beaverton, OR 97077

TEKTRONIX, TEK et TEKPROBE sont des marques déposées de Tektronix, Inc.

GARANTIE

Tektronix garantit les produits qu'elle fabrique et commercialise pendant une période d'un (1) an, à compter de la date d'expédition, contre tout défaut de matériaux ou de main-d'oeuvre. Si une déficience vient à se manifester pendant cette période de garantie, Tektronix s'engage à procéder, à sa meilleure convenance, soit à la réparation du produit déficient, en prenant pièces et main-d'oeuvre à sa charge, soit à remplacer le produit déficient par un produit identique.

Pour faire valoir sa garantie, le Client doit informer Tektronix de la déficience avant l'échéance de la période de garantie et prendre les dispositions nécessaires pour que l'intervention puisse avoir lieu. Le Client est responsable du conditionnement et de l'expédition du produit déficient jusqu'au centre d'intervention indiqué par Tektronix, le coût de cette expédition étant à sa charge. Tektronix s'engage à supporter le coût de la réexpédition du produit au Client, pour autant que le site du Client soit implanté dans le pays du centre d'intervention Tektronix. Le Client s'engage à acquitter tous les droits, taxes et frais d'expédition, ainsi que tous les autres frais liés à la réexpédition du produit vers d'autres sites.

La présente garantie ne couvre en aucune manière les déficiences, pannes ou dommages provoqués par une utilisation incorrecte du produit ou par une maintenance inadéquate. Tektronix ne devra en aucune manière intervenir dans le cadre de la garantie pour a) réparer des dommages résultant d'interventions effectuées par une personne ne représentant pas Tektronix et visant à installer, réparer ou entretenir le produit, b) réparer des dommages résultant d'une utilisation incorrecte ou d'un branchement sur des équipements incompatibles, c) réparer des dommages résultant d'une utilisation de fournitures ne provenant pas de chez Tektronix, ou d) entretenir un produit qui a été modifié ou intégré dans une configuration plus grande, lorsque telle modification ou intégration accroissent la durée ou la difficulté de l'entretien du produit.

LA PRESENTE GARANTIE EST CONFEREE PAR TEKTRONIX EN LIEU ET PLACE DE TOUTE AUTRE GARANTIE, EXPRESSE OU IMPLICITE. TEKTRONIX ET SES FABRICANTS REFUTENT TOUTE GARANTIE IMPLICITE D'APTITUDE A LA COMMERCIALISATION OU D'ADEQUATION A UNE UTILISATION SPECIFIQUE. LA RESPONSABILITE DE TEKTRONIX DE REPARER OU DE REMPLACER LES PRODUITS DEFICIENTS EST LE SEUL ET UNIQUE RECOURS OFFERT AU CLIENT EN CAS D'APPLICATION DE CETTE GARANTIE. TEKTRONIX ET SES FABRICANTS NE POURRONT ETRE TENUS RESPONSABLES DE DOMMAGES INDIRECTS, SPECIAUX, SUBSEQUENTS OU CONSEQUENTS, ET CE, QUE TEKTRONIX ET SES FABRICANTS AIENT OU NON ETE INFORMES PREALABLEMENT DU RISQUE DE SURVENANCE DE TELS DOMMAGES.

Table des matières

Consignes de sécurité	3
Préface	5
Manuels associés	5
Pour contacter Tektronix	6
Mise en route	7
Caractéristiques et accessoires	7
Installation	14
Instruments dotés de l'interface TekProbe II (oscilloscopes Tektronix TDS de la série 400, 500, 600 et 700)	14
Instruments sans l'interface TekProbe II	14
Principes de fonctionnement	16
Seuils de tension d'entrée	16
Tension d'entrée maximale	16
Plage des signaux en mode commun	16
Plage des signaux en mode différentiel	17
Réglages d'atténuation	17
Réjection CC	17
Mise à la terre de la sonde	18
Impédance d'entrée et chargement de la sonde	19
Réjection en mode commun	20
Techniques pour optimiser le taux de réjection en mode commun (CMRR)	21
Référence	23
Problèmes avec mesures sur sorties simples	23
Mesures différentielles	23
Taux de réjection en mode commun	24
Evaluation de l'erreur du taux de réjection en mode commun (CMRR)	24
Effets de l'impédance d'entrée sur le taux de réjection en mode commun (CMRR)	25

Rallongement des conducteurs d'entrée	25
Rallongement du conducteur de masse	26
Rallongement de la sortie de la sonde	26
Terminaison de la sonde	26
Effet provoqué par le rallongement du câble de sortie	27
Utilisation de la sonde avec d'autres instruments	27
Spécifications	28
Caractéristiques garanties	28
Caractéristiques types	30
Caractéristiques nominales	33

Consignes de sécurité

Lisez attentivement les consignes ci-dessous concernant la prévention des blessures corporelles et des dommages à l'appareil ou à tout autre produit connecté. Pour éviter tout danger potentiel, utilisez ce produit en respectant les indications.

Prévention des incendies et dommages corporels

Reliez l'instrument à la terre. Ce matériel est relié à la terre via le fil de terre du cordon d'alimentation. Pour éviter les décharges électriques, le fil de terre doit être connecté à la terre de protection. Avant de brancher les bornes d'entrée et de sortie de cet instrument, vérifiez qu'il est correctement mis à la terre.

Observez toutes les valeurs nominales des bornes. Pour éviter les risques d'incendie ou d'électrocution, observez toutes les valeurs nominales et les indications sur le produit. Consultez le manuel du produit pour plus d'informations sur les valeurs nominales avant de connecter ce produit.

N'appliquez pas de potentiel sur quelque borne que ce soit, y compris la borne de masse, qui dépasse la valeur nominale maximale de cette borne.

N'utilisez pas sans capots. N'utilisez jamais l'appareil sans ses capots de protection et panneaux.

N'utilisez pas en cas de défaillance. Si vous pensez que le produit est endommagé, faites-le inspecter par un technicien de maintenance qualifié.

N'utilisez pas en environnement humide.

N'utilisez pas dans une atmosphère explosive.

Conserver les surfaces du produit propres et sèches.

Symboles et définitions

Termes apparaissant dans ce manuel. Les termes suivants peuvent apparaître dans ce manuel :



AVERTISSEMENT. Signale des conditions ou actions dangereuses pour l'utilisateur (risque de blessure ou danger de mort).



ATTENTION. Signale des conditions ou actions qui peuvent provoquer des dommages au matériel ou à d'autres équipements.

Termes apparaissant sur le matériel. Ces termes peuvent apparaître sur le produit :

DANGER (Danger) signale un risque corporel immédiat.

WARNING (Avertissement) signale un risque corporel.

CAUTION (Attention) signale un risque matériel, y compris pour l'appareil lui-même.

Symboles apparaissant sur le matériel. Les termes ci-après peuvent apparaître sur l'appareil :



DANGER
Haute tension



Protection à la
masse



ATTENTION
Se reporter au manuel



Double
isolation



Préface

Ce manuel contient des instructions et des spécifications pour l'utilisation des sondes différentielles P6246 et P6247 sondes différentielles.

Manuels associés

Pour les procédures de vérification des performances, les procédures de réglage, la liste des pièces remplaçables et pour les autres informations relatives à la maintenance, se reporter au *Manuel de maintenance P6246 et P6247* (070-9899-XX).

Pour contacter Tektronix

Support produit Pour les questions relatives aux applications sur un produit de mesure Tektronix, appelez gratuitement en Amérique du Nord : 1-800-833-9200 de 6 h - 17 h, heure du Pacifique.

Ou contactez-nous par messagerie électronique :
tm_app_supp@tek.com

Pour le support produit hors d'Amérique du Nord, contactez votre distributeur ou votre fournisseur Tektronix local.

Support maintenance Contactez votre distributeur ou votre fournisseur Tektronix local. Ou consultez notre site web pour une liste des lieux de maintenance dans le monde :

<http://www.Tektronix.com>

Pour d'autres informations En Amérique du Nord :
1-800-833-9200
Une opératrice orientera votre appel.

Pour nous écrire Tektronix, Inc.
P.O. Box 500
Beaverton, OR 97077
USA

Mise en route

Les sondes P6246 et P6247 sont des sondes différentielles à bande passante élevée dotées de l'interface TekProbe II. La sonde P6246 a une bande passante de 400 MHz et la P6247 a une bande passante de 1 GHz. Ces deux sondes ont un chargement de circuit faible, une réjection en mode commun élevée et sont livrées avec des accessoires qui autorisent une grande variété d'applications.

L'interface TekProbe II est en standard sur les oscilloscopes Tektronix de la série TDS. Pour les instruments non équipés de l'interface TekProbe, on peut utiliser l'alimentation Tektronix TekProbe 1103 (voir page 12).

Caractéristiques et accessoires

Le Tableau 1 montre les caractéristiques et accessoires standard des sondes différentielles P6246 et P6247 sondes différentielles.

Tableau 1 : Caractéristiques et accessoires standard des sondes P6246 et P6247

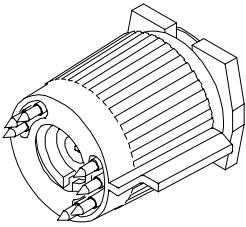

Caractéristique/ accessoire	Description
	<p>Interface TekProbe II. L'interface TekProbe II alimente la sonde, sélectionne la bonne échelle d'affichage et règle automatiquement l'extrémité 50 Ω sur l'entrée de l'oscilloscope.</p> <p>Si votre oscilloscope ne possède pas l'interface TekProbe II, vous pouvez utiliser l'alimentation 1103 proposée en option (voir page 12).</p>
BANDWIDTH FULL  200 MHz	<p>Limite de bande passante. Le commutateur de limite de bande passante permet de choisir la bande passante spécifiée de la sonde ou de limiter la bande passante à 200 MHz.</p>

Tableau 1 : Caractéristiques et accessoires standard des sondes P6246 et P6247 (Suite)



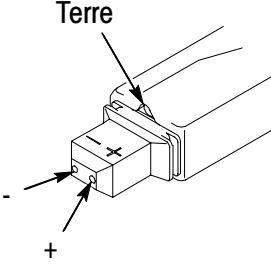
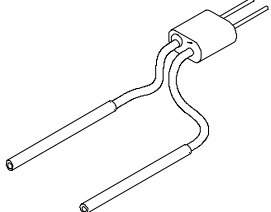
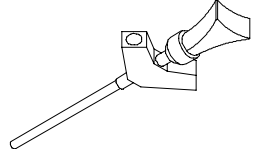
Caractéristique/ accessoire	Description
ATTENUATION $\div 10$  $\div 1$	Atténuation de la sonde. Le commutateur d'atténuation permet de choisir entre la division par 1 ($\div 1$) et la division par 10 ($\div 10$). Le seuil de la sonde en mode commun est de 850 mV en position $\div 1$ et de 8,5 V en position $\div 10$.
DC REJECT ON  OFF	Réjection CC. La position ON ne laisse passer que la composante CA jusqu'à 4 Hz en position $\div 10$ et jusqu'à 0,4 Hz en position $\div 1$. La position OFF laisse passer à la fois la composante continue et la composante alternative du signal.
	Connexions d'entrée. Les connexions (+), (-) et masse de la tête de la sonde acceptent les accessoires de sonde standard et en option. Vous pouvez aussi brancher la tête directement sur une paire de broches carrées de 0,63 mm avec l'espacement standard de 2,54 mm au milieu. ATTENTION : Pour éviter d'endommager les connecteurs d'entrée, n'introduisez rien qui dépasse la taille des broches carrées de 0,63 mm dans les entrées. Pour prolonger la durée de vie des connecteurs, n'utilisez que des broches lisses plaquées or.
	Adaptateur à fils en Y. L'adaptateur à fils en Y se branche directement sur la sonde. Les extrémités creuses des fils peuvent être connectées aux embouts de sonde et aux accessoires ou fixées sur des broches de 0,63 mm.
	Pinces pour circuit intégré (IC). Utilisez les pinces IC pour tester les fils sur les boîtiers à double rangée de connexions.

Tableau 1 : Caractéristiques et accessoires standard des sondes P6246 et P6247 (Suite)

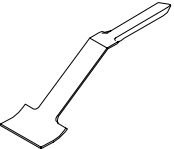
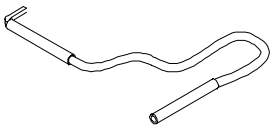
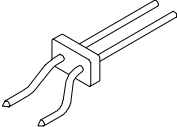
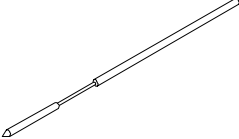
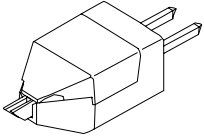
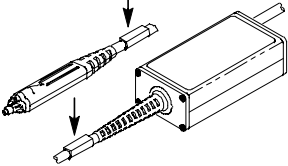
Caractéristique/ accessoire	Description
	<p>Contact de masse court. Utilisez le conducteur de masse court pour tester les composante de petite dimension qui ont un point de masse à proximité. La masse se connecte facilement aux broches carrées adjacentes quand la sonde est branchée directement sur les broches carrées de 0,63 mm (espacement de 2,54 mm). Voir Figure 2, page 19.</p>
	<p>Conducteur de masse. Utilisez le conducteur de masse de 150 mm pour relier la masse de la sonde au circuit. L'extrémité creuse du conducteur peut être connectée aux embouts de sonde et aux accessoires ou fixée aux broches de 0,63 mm.</p>
	<p>Adaptateur à double embout. Cet accessoire présente deux embouts réglables pour tester des connexions proches l'une de l'autre.</p>
	<p>Broche de masse à ressort. Utilisez la broche de masse à ressort pour tester des composantes qui ont un point de terre proche.</p>
	<p>Adaptateurs à deux broches. Utilisez l'adaptateur à deux broches pour tester deux fils adjacents sur un circuit intégré monté en surface. Des doigts flexibles s'adaptent à une gamme d'espacements de fils. Voir Figure 5, page 22.</p>
<p>Bandes de couleur du marqueur</p> 	<p>Bandes de couleur du marqueur. Connectez les parties correspondantes des bandes de couleur du marqueur au câble, au niveau de la tête et de la zone de compensation de chaque sonde. Les banques du marqueur permettent de vérifier rapidement la sonde connectée à chaque canal d'instrument.</p>

Tableau 1 : Caractéristiques et accessoires standard des sondes P6246 et P6247 (Suite)

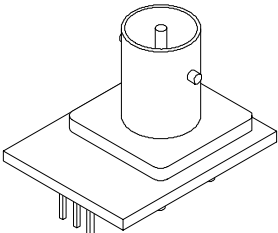
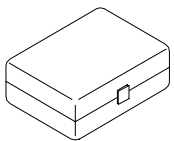
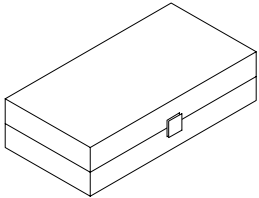
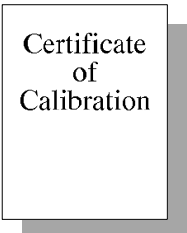
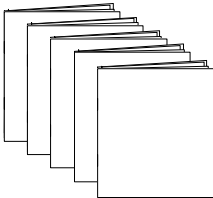
Caractéristique/ accessoire	Description
	<p>Adaptateur embout de sonde-BNC. Cet accessoire permet d'adapter la sonde à un connecteur BNC.</p>
	<p>Kit d'accessoires d'embout de sonde. Ce kit contient les accessoires suivants :</p> <ul style="list-style-type: none"> 10 Bandes de couleur du marqueur 1 adaptateur à fils en Y 3 pinces IC 2 contacts de masse courts 1 conducteur de masse 2 adaptateurs à double embout 2 broche de masse à ressort 2 adaptateurs à deux broches 1 adaptateur embouts de sonde-BNC <p>Numéro de réf. pour rechange : 020-2203-XX</p>
	<p>Mallette pour instruments. Cette mallette protège la sonde en environnement difficile et est suffisamment spacieuse pour recevoir les accessoires en option.</p> <p>Numéro de réf. pour rechange : 016-1879-XX</p>
	<p>Certificat d'étalonnage. Un certificat d'étalonnage est fourni avec chaque instrument expédié.</p>

Tableau 1 : Caractéristiques et accessoires standard des sondes P6246 et P6247 (Suite)

Caractéristique/ accessoire	Description
	<p>Jeu de manuels d'utilisation. (Y compris ce manuel). Ces manuels fournissent les instructions pour l'utilisation des sondes différentielles P6246 et P6247, en anglais, français, allemand, japonais et coréen.</p> <p>Numéro de réf. pour rechange : 070-9898-XX</p>
	<p>Manuel de maintenance. Ce manuel comprend la liste des procédures de vérification des performances des pièces de rechange (anglais uniquement).</p> <p>Numéro de réf. pour rechange : 070-9899-XX</p>

Le Tableau 2 indique les accessoires en option que vous pouvez commander pour les sondes différentielles P6246 et P6247 sondes différentielles.

Tableau 2 : Accessoires en option et choix d'instruments

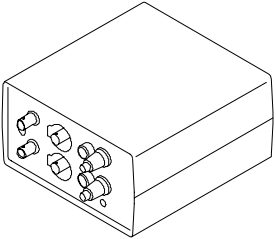
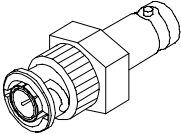
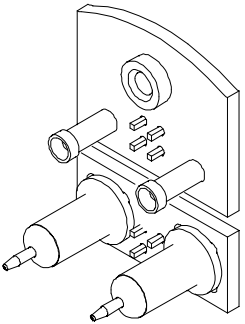
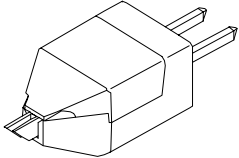
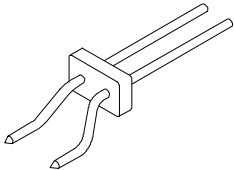
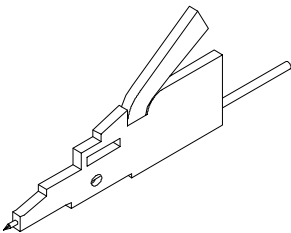
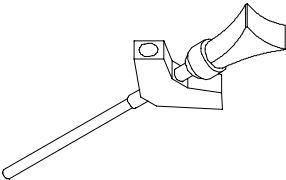
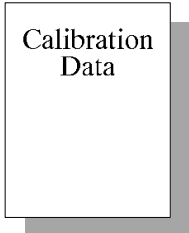
Accessoire/option	Description
 	<p>Alimentation 1103. Commandez l'alimentation 1103 pour les instruments qui ne sont pas équipés de l'interface TekProbe II. Des cordons d'alimentation sont disponibles pour les régions et pays suivants :</p> <p>Standard. Amérique du Nord et Japon</p> <p>Option A1. Europe</p> <p>Option A2. Royaume-Uni</p> <p>Option A3. Australie</p> <p>Option A5. Suisse</p> <p>Extrémité 50 Ω. Termine la sortie de l'alimentation 1103 aux 50 Ω requis pour les oscilloscopes qui n'ont pas de réglage d'entrée de 50 Ω. Numéro de réf. : 011-0049-01.</p> <p>Cable BNC 50 Ω. Se connecte à la sortie 1103. Numéro de réf. : 012-0076-00</p>
	<p>Adaptateur d'embout de sonde P6046/HP1141A. Cet accessoire permet d'adapter la sonde aux fixations de test conçues pour les sondes différentielles Tektronix P6046 ou Hewlett-Packard HP1141A.</p> <p>Numéro de réf. : 013-0304-00</p>
	<p>Adaptateurs à deux broches de rechange.</p> <p>Numéro de réf. : 013-0306-04 (paquet de 4)</p>

Tableau 2 : Accessoires en option et choix d'instruments (Suite)

Accessoire/option	Description
	<p>Adaptateurs à double embout de rechange.</p> <p>Numéro de réf. : 013-0305-00 (paquet de 4)</p>
	<p>Micro-pinces de rechange.</p> <p>Référence SMK4 (paquet de 4)</p>
	<p>Pinces IC de rechange.</p> <p>Numéro de ref. : SMG50 (paquet de 20)</p>
	<p>Données d'étalonnage (Option 95). Doit être commandée lors de l'achat. Permet de noter les mesures prises pendant l'étalonnage.</p>

Installation

Avant de connecter la sortie de la sonde différentielle P6246 ou P6247, déterminez si oui ou non votre oscilloscope possède une interface TekProbe II. Voir Figure 1.

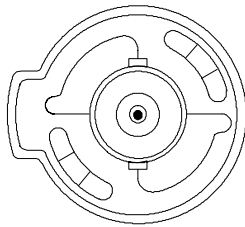


Figure 1 : Connecteur d'entrée de l'interface TekProbe II

Instruments dotés de l'interface TekProbe II (oscilloscopes Tektronix TDS de la série 400, 500, 600 et 700)

Sur les instruments dotés de l'interface TekProbe II, il suffit de connecter la sonde à l'entrée de l'interface. L'interface TekProbe II fournit l'alimentation, sélectionne l'échelle d'affichage appropriée et règle automatiquement la terminaison 50 Ω sur l'entrée de l'oscilloscope.

REMARQUE. Les oscilloscopes des séries TDS 400 et TDS 400A interprètent toujours le codage de facteur d'échelle des sondes P6246 et P6247 comme $\div 10$. Quand vous utilisez la sonde avec la valeur d'atténuation $\div 1$, divisez le résultat de la mesure (ou le facteur d'échelle) par 10.

Instruments sans l'interface TekProbe II

Pour les instruments qui ne sont pas équipés de l'interface TekProbe, vous devez commander l'alimentation 1103 proposée en option (voir page 12). Chaque alimentation 1103 peut alimenter deux sondes. L'entrée de l'oscilloscope doit aussi avoir une terminaison de 50 Ω .

Voir page 26 pour les informations sur les effets d'un rallongement de la sortie de la sonde.

Lorsque vous réglez l'atténuation de la sonde, il est impératif de tenir compte de cette atténuation dans votre mesure. Par exemple, si la sonde est réglée sur $\div 10$ et si l'instrument affiche un signal de $0,2 V_{c-c}$, l'amplitude réelle du signal est de $2 V$ crête à crête.

Principes de fonctionnement

Ce chapitre présente les consignes d'utilisation et les techniques de mesure. Pour des informations plus détaillées sur les mesures différentielles et le taux de réjection en mode commun (CMRR), voir la section *Références* à la page 23.

Seuils de tension d'entrée

Les sondes différentielles P6246 et P6247 sondes différentielles sont conçues pour tester les circuits à basse tension. Avant de tester une tension, il faut tenir compte des seuils de tension d'entrée maximale, des seuils en mode commun et des seuils en mode différentiel.

Tension d'entrée maximale

La tension d'entrée maximale est la tension maximale à la terre que peut supporter chaque entrée sans détériorer le circuit d'entrée de la sonde.



ATTENTION. *Pour éviter de détériorer les entrées des sondes différentielles P6246 et P6247 sondes différentielles, n'appliquez pas plus de + 25 V (CC + CA crête) entre chaque entrée et la terre.*

Plage des signaux en mode commun

La plage des signaux en mode commun est la tension maximale que l'on peut appliquer à chaque entrée, par rapport à la terre, sans saturer le circuit d'entrée de la sonde. Une tension de mode commun qui dépasse la plage des signaux en mode commun peut générer un signal de sortie erroné, même si la spécification différentielle est respectée. Pour les spécifications, reportez-vous à la page 28.

Vous pouvez vérifier que le signal en mode commun se situe dans la plage des spécifications en suivant la procédure suivante : réglez la sonde sur $\div 10$, reliez temporairement une des entrées de la sonde à la terre, puis reliez l'autre entrée de la sonde à une sortie du signal

différentiel. Répétez la procédure pour tester l'autre sortie du signal différentiel.

Plage des signaux en mode différentiel

La plage des signaux en mode différentiel est la différence maximale de tension entre les entrées (+) et (-) que peut accepter la sonde sans déformer le signal. La distorsion provenant d'une tension trop élevée peut aboutir à une mesure erronée. Pour les spécifications, reportez-vous à la page 28.

Réglages d'atténuation

La sonde différentielle a deux positions d'atténuation : $\div 1$ et $\div 10$. La position $\div 1$ offre le meilleur rapport signal/bruit pour les signaux de faible amplitude. La position $\div 10$ augmente la plage des signaux en mode différentiel d'un facteur de 10.

Réjection CC

Le mode réjection CC élimine la composante CC de la sortie de la sonde. Ce mode est utile quand on utilise la sonde avec des instruments qui ne permettent pas d'appliquer un courant continu sur leurs entrées (comme les analyseurs de spectres) ou quand on mesure des signaux de faible amplitude superposés à une composante avec un décalage différentiel important.

Le mode réjection CC génère un décalage interne qui annule la composante continue du signal. Cette méthode d'annulation rend inutile l'utilisation de condensateurs de couplage d'entrée, qui altéreraient considérablement les performances du taux de réjection en mode commun (CMRR) et nécessiteraient des attaches enfichables pour l'embout de la sonde.

Comme l'entrée est toujours couplée directement, le mode réjection CC n'augmente pas les plages dynamiques de mode commun et différentiel pour les composantes continues. Le mode réjection CC interdit également tout réglage du décalage externe.

Mise à la terre de la sonde

Les mesures différentielles ne sont pas des mesures «flottantes». En plus des entrées (+) et (-) sur la tête de la sonde, il existe également une entrée masse (commun). (Voir Figures 2 et 3.)



ATTENTION. *Pour éviter de détériorer le circuit sous test, connectez la masse (commun) de la sonde à un point référencé à la terre uniquement.*

L'opérateur peut utiliser la sonde pour effectuer une mesure différentielle que la terre (commun) soit connectée ou non.

Certaines applications peuvent nécessiter une connexion de référence à la masse pour conserver la précision des mesures. En général, cela est nécessaire quand on connecte des sondes à des circuits qui sont totalement isolés du sol comme les appareils fonctionnant sur batterie. Dans la plupart des applications, cependant, l'impédance de mode commun à la terre est supérieure à l'impédance différentielle. De ce fait, le fait d'ajouter le fil de terre de la sonde n'améliore pas la performance haute fréquence de la mesure.

Outre le conducteur de masse de 150 mm, il existe d'autres accessoires à fil de terre qui sont utiles dans certaines applications. La Figure 2 à la page 19 montre comment utiliser le contact de terre court. La Figure 4 à la page 21 montre la broche de terre à ressort.

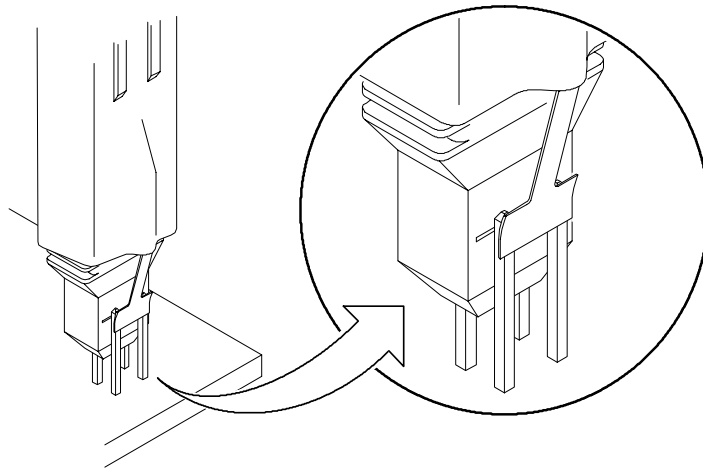


Figure 2 : Utilisation du contact de terre court

Impédance d'entrée et chargement de la sonde

Quand on connecte les entrées de la sonde à un circuit, on introduit dans le circuit une nouvelle résistance, capacité et inductance. Chaque entrée des P6246 et P6247 sondes différentielles a une impédance d'entrée caractéristique de $100\text{ k}\Omega$ à la terre en parallèle avec moins de 1 pF . Voir Figure 3.

Pour les signaux d'impédance source et de fréquence faibles, l'impédance d'entrée de $100\text{ k}\Omega$ sur chaque entrée est suffisante pour empêcher que les entrées ne chargent les sources de signaux. Plus les impédances sources sont grandes et plus la fréquence des signaux est élevée, plus il faut prendre ces facteurs en compte.

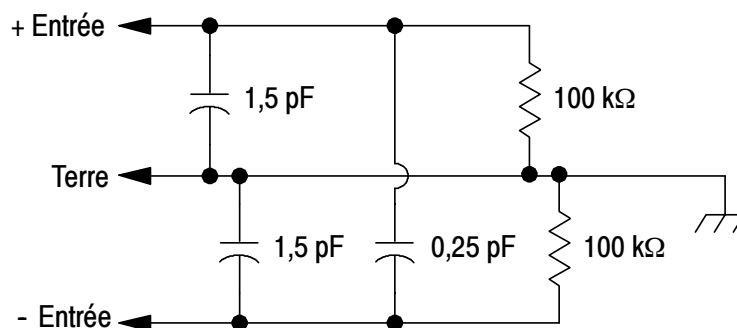


Figure 3 : Modèle d'entrée de sonde type

Plus l'impédance de la source du signal sur une entrée augmente, plus la sonde charge la source et réduit l'amplitude du signal.

La fréquence du signal affecte également la mesure du signal. A mesure que la fréquence du signal augmente, l'impédance d'entrée de la sonde diminue. Plus l'impédance de la sonde est faible par rapport à celle de la source, plus la sonde charge le circuit sous test et réduit l'amplitude du signal. Pour une courbe de fréquence par rapport à l'impédance d'entrée, voir Figure 9 à la page 32.

Réjection en mode commun

Le taux de réjection en mode commun (CMRR) est la capacité spécifiée des P6246 et P6247 sondes différentielles à rejeter les signaux qui sont communs aux deux entrées. Plus précisément, le taux de réjection en mode commun est le rapport du gain différentiel au gain en mode commun. Plus ce rapport est élevé, plus la capacité à rejeter les signaux en mode commun est grande.

La réjection en mode commun diminue à mesure que la fréquence d'entrée augmente. La Figure 8 à la page 31 représente une courbe type du taux de réjection en mode commun (CMRR) de la sonde par rapport à la fréquence d'entrée. Pour une explication plus approfondie du taux de réjection en mode commun, voir page 24.

Techniques pour optimiser le taux de réjection en mode commun (CMRR)

Le taux de réjection en mode commun (CMRR) de la sonde est plus élevé quand on utilise les accessoires présentés dans les Figures 4 et 5. Ces accessoires réduisent au maximum la distance entre la tête de la sonde et la source des signaux.

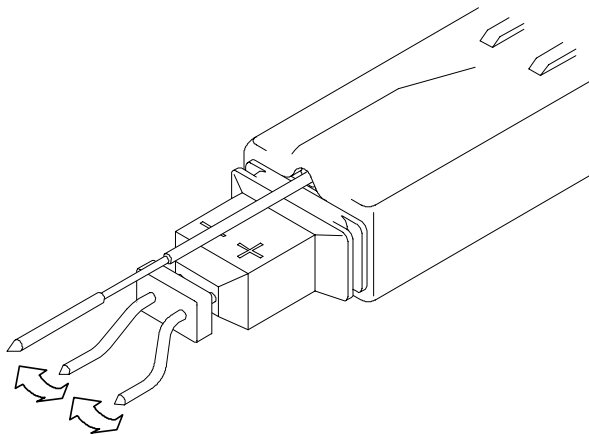


Figure 4 : Utilisation des accessoires à fil d'amenée pour obtenir un CMRR élevé

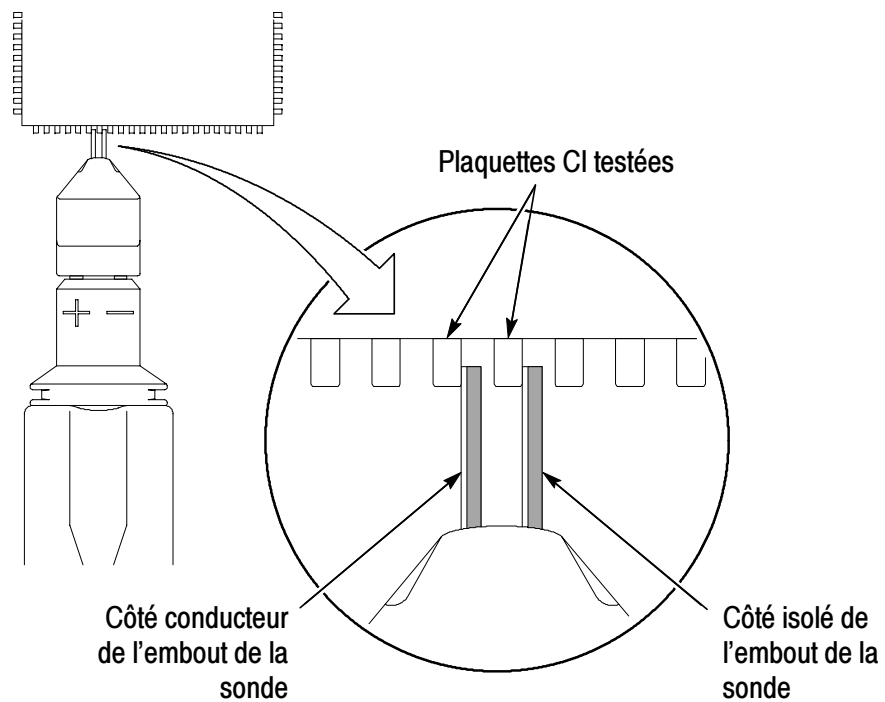


Figure 5 : Utilisation de l'adaptateur à deux broches

Référence

Ce chapitre contient des informations de référence importantes sur les mesures différentielles et sur la manière d'accroître la précision de vos mesures.

Problèmes avec mesures sur sorties simples

Bien que recommandées dans de nombreuses applications, les mesures sur sorties simples peuvent présenter des problèmes dans les situations suivantes :

- quand le signal n'est pas référencé par rapport à la terre
- quand la connexion ou la déconnexion de la masse de la sonde déforme le signal
- quand la connexion de la référence du signal à la terre détériore ou dérange le circuit

Mesures différentielles

Les dispositifs conçus pour effectuer des mesures différentielles évitent les problèmes posés par les circuits à sorties simples. Ces dispositifs comprennent une variété de sondes différentielles, d'amplificateurs différentiels et d'isolateurs.

L'amplificateur différentiel (Figure 6) est au coeur de tout dispositif ou système conçu pour effectuer des mesures différentielles. Dans l'idéal, l'amplificateur différentiel rejette toute tension commune aux entrées et amplifie toute différence entre les entrées. La tension qui est commune aux deux entrées est souvent appelée «tension en mode commun» (T_{MC}) et la tension qui est différente «tension en mode différentiel» (T_{MD}).

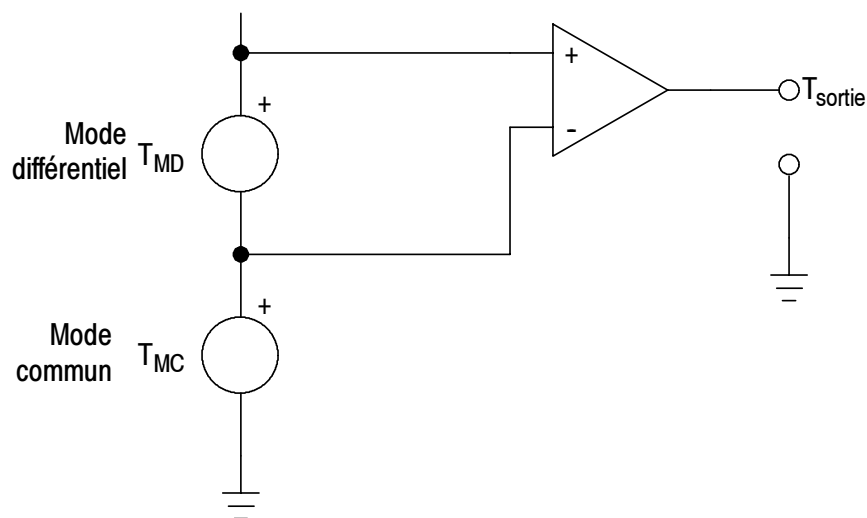


Figure 6 : Schéma simplifié d'amplificateur différentiel

Taux de réjection en mode commun

En réalité, les amplificateurs différentiels ne peuvent pas éliminer la totalité du signal de mode commun. La capacité d'un amplificateur différentiel à éliminer le signal de mode commun est qualifiée de taux de réjection en mode commun (CMRR). Le CMRR est le gain en mode différentiel (A_{MD}) divisé par le gain en mode commun (A_{MC}). Il est exprimé soit en taux, soit en dB.

$$CMRR = \frac{A_{MD}}{A_{MC}} \quad dB = 20 \log \frac{T_{MD}}{T_{MC}}$$

Le taux de réjection en mode commun (CMRR) est généralement plus élevé (meilleur) en CC et se dégrade avec l'augmentation de la fréquence.

Evaluation de l'erreur du taux de réjection en mode commun (CMRR)

La Figure 8 à page 31 montre le CMRR des sondes différentielles P6246 et P6247 sondes différentielles. Cette courbe suppose que le signal de mode commun est sinusoïdal.

Une manière rapide d'évaluer l'amplitude de l'erreur de CMRR quand le signal de mode commun n'est pas sinusoïdal est de connecter les deux fils au même point sur le circuit. L'oscilloscope affichera uniquement la composante de mode commun qui n'est pas totalement éliminée par la sonde. Même si cette méthode ne permet pas des mesures totalement exactes, elle permet de déterminer si l'amplitude de l'erreur du signal de mode commun est importante.

Effets de l'impédance d'entrée sur le taux de réjection en mode commun (CMRR)

Plus l'impédance d'entrée de la sonde est faible par rapport à l'impédance source, plus le CMRR est faible. Voir Figure 8 à la page 31. Des différences importantes au niveau de l'impédance source pilotant les deux entrées abaissent également le CMRR.

Rallongement des conducteurs d'entrée

Il est parfois nécessaire de rallonger les entrées de la sonde avec des conducteurs métalliques ou avec un adaptateur d'embout de sonde. Dans ce cas, il faut réduire au maximum la longueur des fils de la sonde pour optimiser la réjection en mode commun et tordre ensemble les conducteurs d'entrée comme indiqué dans la Figure 7.

Le fait de tordre ensemble les conducteurs d'entrée augmente la capacité, ce qui peut dégrader les performances haute fréquence. Il faut tenir compte de tous les effets causés par les fils rallongés quand on effectue une mesure.



ATTENTION. *Pour éviter de détériorer les connecteurs d'entrée, n'introduisez rien qui dépasse la taille des broches carrées de 0,63 mm dans les entrées.*

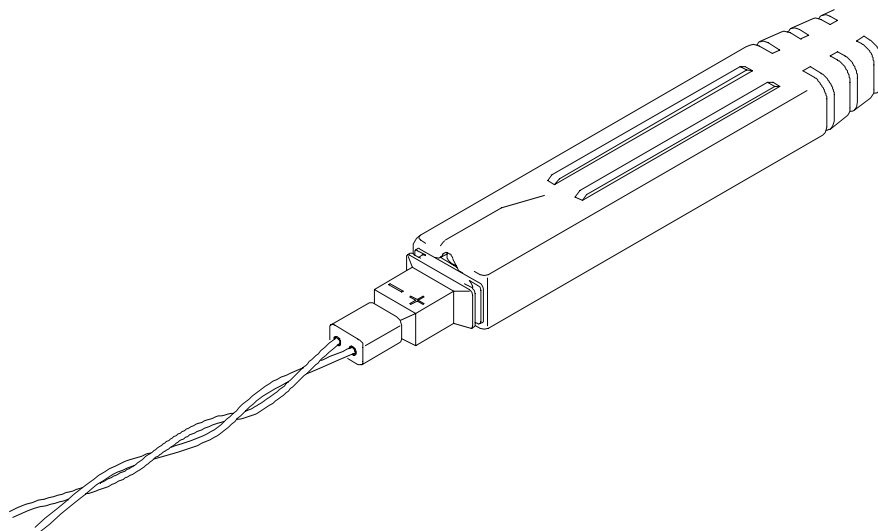


Figure 7 : Torsion des conducteurs d'entrée

Rallongement du conducteur de masse

Le fait de rallonger le conducteur de masse aura peu d'effet, s'il y en a, sur vos mesures. Dans la plupart des circuits, le chemin de terre depuis la source différentielle a une impédance suffisamment élevée pour amortir toute résonance causée par l'inductance du conducteur.

Rallongement de la sortie de la sonde

Avec l'alimentation 1103 TekProbe, il est possible de rallonger la sortie de la sonde pour connecter celle-ci à d'autres types d'instruments de mesure ou simplement pour connecter la sonde à une source de signaux située hors d'atteinte de la sonde.

Terminaison de la sonde

La sonde doit avoir une terminaison de 50Ω à l'entrée de l'instrument de mesure. Utilisez l'alimentation TekProbe 1103 pour adapter la sonde différentielle et régler l'impédance d'entrée de l'instrument de mesure sur 50Ω . Si l'instrument de mesure ne supporte pas une terminaison d'entrée de 50Ω , connectez une terminaison coaxiale de 50Ω sur l'entrée.

Effet provoqué par le rallongement du câble de sortie

A mesure que la fréquence d'un signal augmente, le flux de courant se concentre sur les bords extérieurs du conducteur, ce qui augmente l'impédance. Cet effet est connu sous le nom de perte de surface. Les sondes P6246 et P6247 contiennent un circuit qui compense cette perte de surface.

La compensation offre une réponse uniforme avec le câble de la sonde. Le fait d'augmenter la longueur du câble de sortie augmente les pertes de surface au-delà de la plage de correction de la compensation. La diminution de la longueur du rallongement du câble diminue l'atténuation.

Dans les applications critiques qui nécessitent une précision de haute amplitude, la réponse de la sonde avec le rallongement doit être caractérisée à l'aide d'une source de signaux et d'un compteur stabilisés. Les résultats de la caractérisation peuvent ensuite être intégrés dans la mesure.

Utilisation de la sonde avec d'autres instruments

Il est possible d'utiliser les sondes différentielles P6246 et P6247 sondes différentielles avec d'autres types d'instruments de mesure que les oscilloscopes. Ces instruments peuvent être, entre autres, des analyseurs de spectres, des analyseurs d'intervalles de temps et des analyseurs de circuits.

Si vous utilisez les sondes différentielles avec ces instruments, il faut «normaliser» la sonde avec l'instrument avant d'effectuer une mesure.

Spécifications

Les spécifications des Tableaux 3 à 6 s'appliquent à une sonde P6246 ou P6247 installée sur un oscilloscope Tektronix TDS 784A. Quand la sonde est utilisée avec un autre oscilloscope, cet oscilloscope doit avoir une impédance d'entrée de 50 Ω et une bande passante de 1 GHz. La sonde doit subir un préchauffage d'au moins 20 minutes et être dans un environnement qui ne dépasse pas les limites indiquées dans le Tableau 3. Les spécifications pour les sondes différentielles P6246 et P6247 sondes différentielles se classent en trois catégories : caractéristiques garanties, types et nominales.

Caractéristiques garanties

Les caractéristiques garanties (Tableau 3) décrivent les performances garanties dans les limites de tolérance ou certaines exigences testées par type. Les caractéristiques garanties qui doivent subir les vérifications décrites dans la section *Vérification des performances* du manuel de maintenance (070-9899-XX) sont signalées par le symbole ✓.

Tableau 3 : Caractéristiques électriques garanties

✓ Précision d'atténuation en CC	$\pm 2\%$ pour tension d'entrée suivante : $\pm 750 \text{ mV} (\div 1)$ et $\pm 7,5 \text{ V} (\div 10)$ $\pm 5\%$ pour tension d'entrée suivante : $\pm 850 \text{ mV} (\div 1)$ et $\pm 8,5 \text{ V} (\div 10)$
Tension d'entrée non destructive maximale	$\pm 25 \text{ V}_{(\text{CC} + \text{CA crête})}$ entre signal et commun de la même voie
✓ Plage de signal différentiel (couplage CC)	$\pm 8,5 \text{ V}$ avec atténuation $\div 10$ $\pm 850 \text{ mV}$ avec atténuation $\div 1$
Plage de signal en mode commun (couplage CC)	$\pm 7 \text{ V}$

Tableau 3 : Caractéristiques électriques garanties (Suite)

✓ Déclage de la tension de sortie	± 10 mV (+ 20° C à + 30° C) ± 50 mV (0° C à + 60° C)
Temps de montée (sonde uniquement)	P6246 : < 875 ps P6247 : < 350 ps
✓ Taux de réjection en mode commun	45 dB à 1 MHz en $\div 10$ 25 dB à 100 MHz en $\div 10$ 20 dB à 500 MHz en $\div 10$ 18 dB à 1 GHz en $\div 10$ 60 dB à 1 MHz en $\div 1$ 38 dB à 100 MHz en $\div 1$ 35 dB à 500 MHz en $\div 1$ 30 dB à 1 GHz en $\div 1$
✓ Bande passante (sonde uniquement)	P6246 : CC à ≥ 400 MHz (- 3dB) P6247 : CC à ≥ 1 GHz (- 3dB)
Température	En fonctionnement : de 0 à + 50° C 0 à + 60° C ¹ (tête de la sonde) Hors fonctionnement : - 55 à + 75° C ¹
Humidité	En fonctionnement : testée de + 30 à + 50° C, 0-90% HR Hors fonctionnement : testée de + 30 à + 60° C, 0-90% HR

¹ Voir avertissement ci-après.



AVERTISSEMENT. Pour éviter tout risque de brûlure à hautes températures ambiantes, ne touchez pas la sonde à mains nues aux températures de fonctionnement supérieures à + 50° C ou à températures hors fonctionnement supérieures à + 70° C.

Caractéristiques types

Les caractéristiques types (Tableaux 4 et 5) concernent les performances types mais non garanties.

Tableau 4 : Caractéristiques électriques types

Résistance d'entrée, couplée CC	200 k Ω
Résistance différentielle d'entrée, couplage CC	100 k Ω \pm 2%
Capacité d'entrée en mode différentiel	< 1 pF à 1 MHz
Capacité d'entrée en mode commun	< 2 pF à 1 MHz
Distortion harmonique	\leq 1,5% mesurée utilisant une sortie de 495 mV _{RMS} (ou 1,4 V _{P-P}) à 100 MHz
Plage de décalage en mode différentiel	\pm 700 mV (atténuation \div 1) \pm 7 V (atténuation \div 10)
Taux de réjection en mode commun	Voir Figure 8
Bruit aléatoire	< 50 nV/ $\sqrt{\text{Hz}}$ à 100 MHz
Impédance d'entrée	Voir Figure 8
Limite de bande passante	-3 dB à 200 MHz
Bande passante de réjection CC	-3 dB à 4 Hz (atténuation \div 10) -3 dB à 0,4 Hz (atténuation \div 1)
Ondulation de la passe-bande	P6246 : $\leq \pm$ 0,25 dB à la bande passante de 3dB (écart par rapport à une pente nominale) P6247 : $\leq \pm$ 0,25 dB à 850 MHz (écart par rapport à une pente nominale)

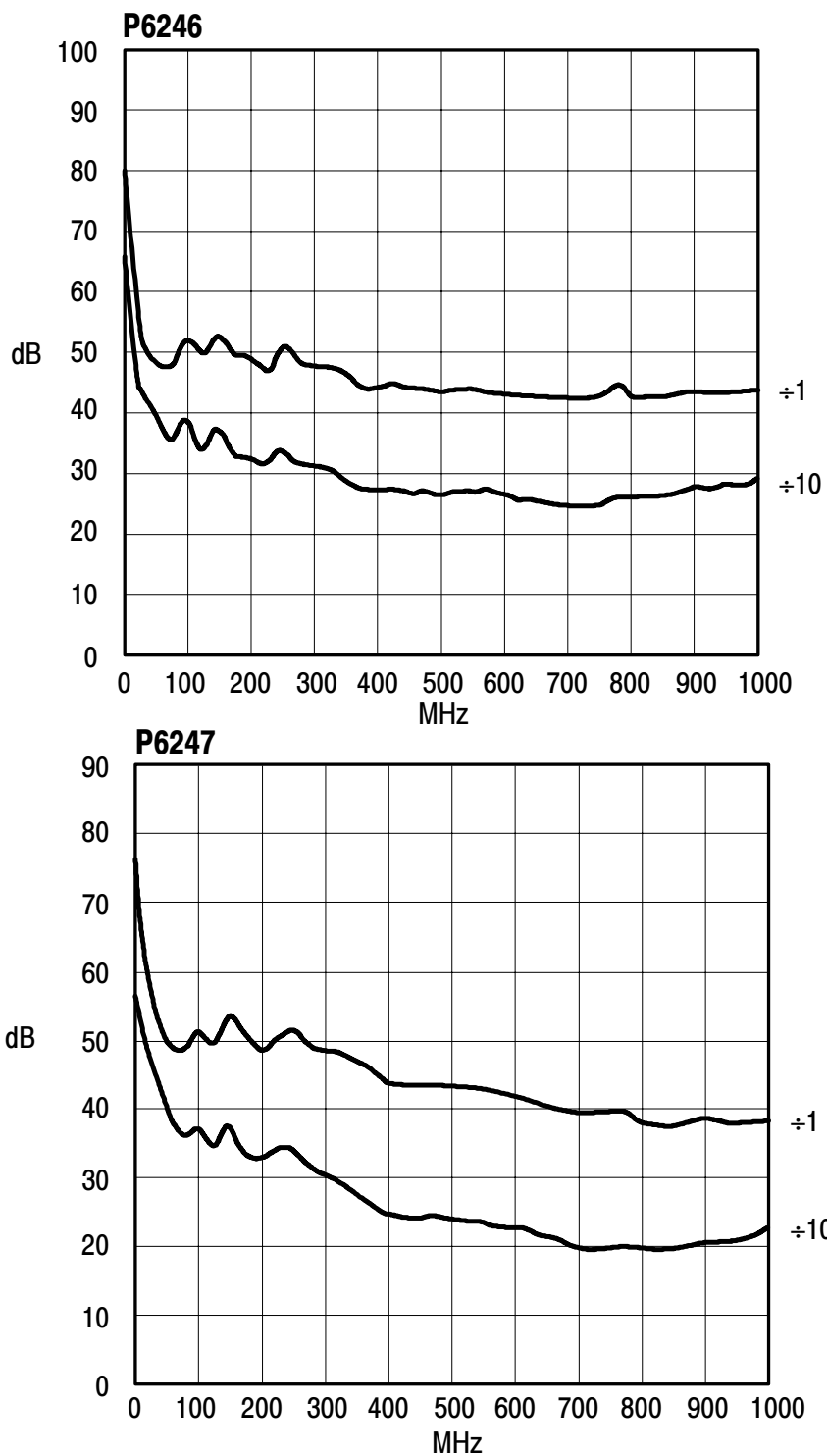


Figure 8 : Taux de réjection en mode commun type (atténuation ÷ 1 et ÷ 10)

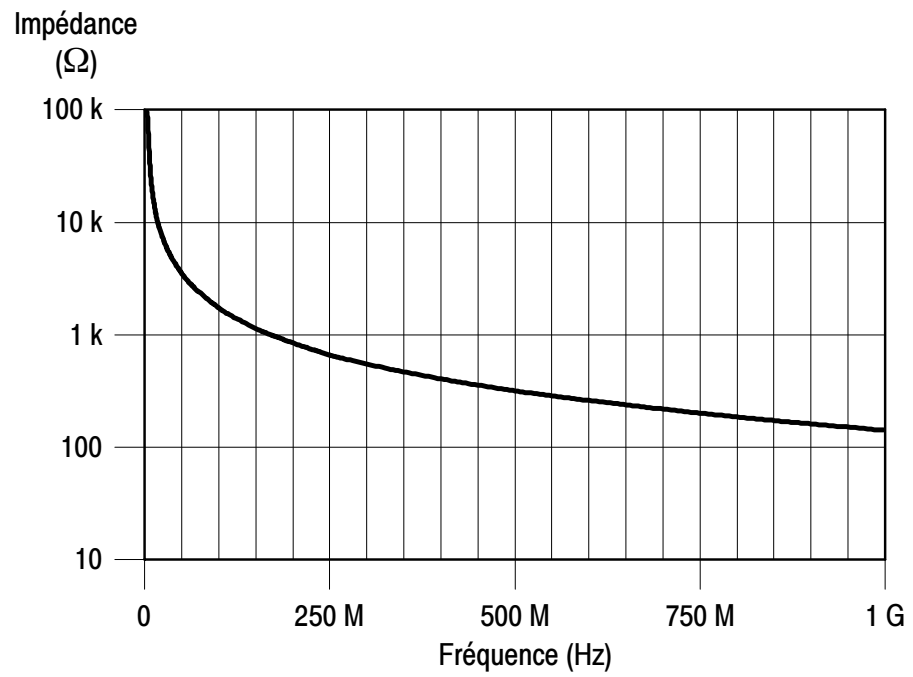


Figure 9 : Impédance d'entrée type par rapport à la fréquence

Tableau 5 : Caractéristiques mécaniques types

Dimensions, connexion d'entrée	Broche carrée de 0,63 mm sur centres de 2,54 mm
Dimensions, boîtier de commande	107 mm x 41 mm x 26 mm
Dimensions, tête de la sonde	78 mm x 12 mm x 9,3 mm
Dimensions, câble de sortie	1,2 m
Poids unitaire (sonde uniquement)	160 g

Caractéristiques nominales

Les caractéristiques nominales (Tableau 6) décrivent les traits garantis, mais des traits qui n'ont pas de limites de tolérance.

Tableau 6 : Caractéristiques électriques nominales

Configuration d'entrée	Différentiel (deux entrées, + et -) avec masse boîtier
Couplage de sortie	Réjection CC et CC
Réglages d'atténuation	÷ 1 et ÷ 10
Terminaison de la sonde	50 Ω à l'entrée de l'instrument de mesure

Anleitung

Tektronix

**P6246 400 MHz & P6247 1 GHz
Differentialastköpfe**

070-9898-04

Copyright © Tektronix, Inc. Alle Rechte vorbehalten.

Tektronix Produkte sind durch erteilte und angemeldete US- und Auslands-
patente geschützt. In dieser Dokumentation enthaltene Informationen ersetzen
jene in sämtlichen früheren Veröffentlichungen. Änderungen von Preisen und
Spezifikationen vorbehalten.

Tektronix, Inc., P.O. Box 500, Beaverton, OR 97077

TEKTRONIX, TEK und TEKPROBE sind eingetragene Warenzeichen von
Tektronix, Inc.

GEWÄHRLEISTUNG

Tektronix gewährleistet, daß dieses Produkt für einen Zeitraum von (1) Jahr frei von Material- und Arbeitsmängeln ist. Sollte ein Produkt sich während dieser Gewährleistungsdauer als defekt erweisen, wird Tektronix nach eigenem Ermessen entweder das defekte Produkt ohne Teile- und Arbeitskostenbelastung reparieren oder durch ein neues ersetzen.

Um die hiermit gewährleisteten Dienstleistungen zu beanspruchen, muß der Kunde Tektronix vor Ablauf der Gewährleistungsdauer über den Mangel unterrichten und für die Ausführung der Dienstleistung entsprechende Vorkehrungen treffen. Der Kunde ist für Verpackung und Versand des defekten Produkts an das von Tektronix bezeichnete Service Center verantwortlich. Die Versandkosten sind im voraus zu bezahlen. Tektronix trägt die Kosten der Rücksendung an den Kunden, sofern der Versand an einen Ort innerhalb des Landes, in dem sich das Tektronix Service Center befindet, erfolgt. Versandkosten, Zollgebühren, Steuerabgaben und sonstige Kosten, die mit einer Rücksendung an andere Standorte verbunden sind, liegen in der Verantwortlichkeit des Kunden.

Diese Gewährleistung gilt nicht für durch unsachgemäße Benutzung oder mangelhafte Wartung und Pflege entstandene Defekte, Störungen oder Schäden. Tektronix ist mit dieser Gewährleistung nicht verpflichtet, a) Schäden zu reparieren, die durch Versuch anderer, d.h. nicht von der Firma Tektronix autorisiertem Personal, das Produkt zu installieren, zu reparieren oder zu warten, verursacht wurden; b) Schäden zu reparieren, die durch unsachgemäße Benutzung oder Anschluß an nicht kompatible Geräte verursacht wurden; c) Schäden zu reparieren oder Störungen zu beseitigen, die durch die Verwendung von Ersatzteilen, die nicht von der Firma Tektronix stammen, verursacht wurden; oder d) Wartungsarbeiten an einem Produkt durchzuführen, das Modifizierungen oder der Integration mit anderen Produkten unterzogen wurde, falls eine solche Modifizierung oder Integration den Zeitaufwand oder den Schwierigkeitsgrad für die Wartung des Produkts erhöhen.

DIESE GEWÄHRLEISTUNG WIRD VON TEKTRONIX IN BEZUG AUF DIESES PRODUKT UND AN STELLE VON JEDLICHEN ANDEREN AUSDRÜCKLICHEN ODER STILLSCHWEIGENDEN GEWÄHRLEISTUNGEN GEGEBEN. DIE FIRMA TEKTRONIX UND IHRE LIEFERANTEN VERWEIGERN DIE ANERKENNUNG IMPLIZIERTER GEWÄHRLEISTUNGEN FÜR MARKTGÄNGIGKEIT ODER EIGNUNG ZU SPEZIELLEN ZWECKEN. BEI VERSTÖßEN GEGEN DIESE GEWÄHRLEISTUNG IST DIE VERANTWORTLICHKEIT DER FIRMA TEKTRONIX, DEFEKTE PRODUKTE ZU REPARIEREN ODER ZU ERSETZEN, ALLEINIGER UND AUSSCHLIESSLICHER IN ANSPRUCH NEHMBARER RECHTSBEHELF DES KUNDEN. TEKTRONIX UND SEINE LIEFERANTEN HAFTEN NICHT FÜR INDIREKTE, BESONDERE, ZUFÄLLIG ENTSTEHENDE ODER MITTELBARE SCHÄDEN, UNABHÄNGIG DAVON, OB DIE FIRMA TEKTRONIX ODER DER LIEFERANT IM VORAUS ÜBER DIE MÖGLICHKEIT SOLCHER SCHÄDEN INFORMIERT IST.

Inhaltsverzeichnis

Zusammenfassende Sicherheitshinweise	3
Vorwort	5
Verwandte Handbücher	5
Wenn Sie sich mit Tektronix in Verbindung setzen wollen ...	6
Zu Beginn	7
Merkmale und Zubehör	7
Installation	14
Geräte mit Schnittstelle TekProbe II (Tektronix-Oszilloskope der Serie TDS 400, 500, 600 und 700)	14
Geräte ohne Schnittstelle TekProbe II	14
Grundzüge der Betriebsweise	16
Grenzwerte Eingangsspannung	16
Maximale Eingangsspannung	16
Gleichtaktsignalbereich	16
Differentialsignalbereich	17
Dämpfungseinstellungen	17
DC-Sperrung	17
Tastkopferdung	18
Eingangsimpedanz und Tastkopfbelastung	19
Gleichtaktunterdrückung	20
Prüfverfahren zur Maximierung der Gleichtaktunterdrückung .	21
Referenzteil	23
Probleme bei Eintaktmessungen	23
Differentialmessungen	23
Gleichtaktunterdrückungsverhältnis	24
Bestimmung des Gleichtaktunterdrückungsfehlers	25
Auswirkungen der Eingangsimpedanz auf das Gleich- taktunterdrückungsverhältnis	25
Verlängerung der Eingangsleitungen	25
Verlängerung der Erdleitung	26
Verlängerung des Tastkopfausgangs	26
Abschluß des Tastkopfs	27
Auswirkungen einer Verlängerung der Ausgangsleitung ..	27
Verwendung des Tastkopfs mit anderen Geräten	27

Technische Daten	28
Garantierte Eigenschaften	28
Typische Eigenschaften	30
Nominelle Eigenschaften	33

Zusammenfassende Sicherheitshinweise

Beachten Sie die nachstehenden Sicherheitshinweise, um Verletzungen und Schäden an diesem Gerät sowie allen daran angeschlossenen Geräten zu verhindern. Zur Vermeidung von möglichen Gefahren ist dieses Gerät nur entsprechend der technischen Daten zu verwenden.

Vermeidung von Bränden und Personenschäden

Produkt erden. Dieses Gerät ist durch den Schutzleiter im Netzkabel geerdet. Um die Gefahr eines elektrischen Schlages zu vermeiden, ist der Schutzleiter an Erde anzuschließen. Bevor an den Ein- und Ausgängen des Geräts Anschlüsse vorgenommen werden, ist sicherzustellen, daß das Gerät richtig geerdet ist.

Alle Nennwerte der Anschlüsse beachten. Um die Gefahr eines Brandes oder eines elektrischen Schlages zu vermeiden, sind alle auf dem Gerät angebrachte Nennwerte und Kennzeichnungen zu beachten. Bevor Sie an dem Gerät Anschlüsse vornehmen, lesen Sie bitte die weiteren im Gerätehandbuch enthaltenen Informationen zu den Nennwerten.

An keinen Anschluß, auch den allgemeinen Anschluß, ein Potential anlegen, das den maximalen Nennwert für den Anschluß übersteigt.

Nicht ohne Abdeckungen betreiben. Dieses Gerät nicht bei abgenommenen Abdeckungen und Platten bzw. Wänden betreiben.

Bei Verdacht auf Störung Gerät nicht betreiben. Bei Verdacht auf einen Defekt ist das Gerät von qualifiziertem Personal zu prüfen.

Nicht in naßer oder feuchter Umgebung betreiben.

Nicht in explosionsgefährlicher Atmosphäre betreiben.

Geräteoberflächen sauber und trocken halten.

Symbole und Bezeichnungen

Bezeichnungen in diesem Handbuch. Die folgenden Bezeichnungen können in diesem Handbuch vorkommen:



WARNUNG. Dieser Begriff wird zum Hinweis auf Bedingungen oder Vorgehensweisen, die zu Verletzungen oder zum Tod führen könnten, verwendet.



VORSICHT. Dieser Begriff wird zum Hinweis auf Bedingungen oder Vorgehensweisen, die zu Schäden an diesem Gerät oder anderen Sachschäden führen könnten, verwendet.

Bezeichnungen auf dem Produkt. Diese Bezeichnungen können am Gerät erscheinen:

DANGER weist auf eine Verletzungsgefahr hin, die unmittelbar beim Lesen der Bezeichnung besteht.

WARNING weist auf eine Verletzungsgefahr hin, die nicht unmittelbar beim Lesen der Bezeichnung besteht.

CAUTION weist auf die Gefahr von Schäden an Gerät oder anderen Gegenständen hin.

Symbole auf dem Produkt. Die folgenden Symbole können auf dem Gerät erscheinen:



GEFAHR
Hochspannung



Schutzleiteranschluß
(Erde)



ACHTUNG
Siehe Benutzerhandbuch



Doppelt
Isoliert



Vorwort

Dieses Handbuch enthält Anweisungen und technischen Daten für die Benutzung der Differentialastköpfe P6246 und P6247.

Verwandte Handbücher

Informationen zu Prüfverfahren für die Leistungsmerkmale und Einstellverfahren, eine Auflistung der austauschbaren Teile sowie weitere Einzelheiten zur Wartung finden Sie im *P6246 & P6247* *Wartungshandbuch* (070-9899-XX).

Wenn Sie sich mit Tektronix in Verbindung setzen wollen

Produkt- unterstützung	Bei anwendungsorientierten Fragen zu einem Meßprodukt von Tektronix können Sie uns gebührenfrei unter der folgenden Nummer in Nordamerika anrufen: 1-800-TEK-WIDE (1-800-835-9433 App. 2400) 6.00 - 17.00 Uhr, Pazifische Zeit Oder wenden Sie sich an uns über unsere E-mail-Adresse: tm_app_supp@tek.com Um Produktunterstützung außerhalb Nordamerikas zu erhalten, wenden Sie sich bitte an Ihren örtlichen Tektronix-Händler oder das jeweilige Verkaufsbüro.
Service- Unterstützung	Wenden Sie sich an Ihren örtlichen Tektronix-Vertageshändler oder an das jeweilige Verkaufsbüro. Oder besuchen Sie unsere Website, wo Sie eine weltweite Auflistung der Kundendienststützpunkte finden. http://www.tektronix.com
Weitere Informationen	In Nordamerika: 1-800-TEK-WIDE (1-800-835-9433) Sie werden von der Vermittlungsstelle entsprechend weiterverbunden.
Unsere Postanschrift	Tektronix, Inc. 14200 SW Karl Braun Drive Beaverton, OR 97077 USA

Zu Beginn

Der Tastkopf P6246 und der Tastkopf P6247 sind Differentialtastköpfe mit einer großen Bandbreite und einer TekProbe II-Schnittstelle. Der Tastkopf P6246 verfügt über eine Bandbreite von 400 MHz, der Tastkopf P6247 hat eine Bandbreite von 1 GHz. Beide Tastköpfe gewährleisten eine geringe Schaltkreisbelastung sowie eine hohe Gleichtaktunterdrückung und werden mit einem umfangreichen Zubehör ausgeliefert, so daß sie für viele verschiedene Verwendungen eingesetzt werden können.

Die Schnittstelle TekProbe II ist bei den Tektronix-Oszilloskopen der Serie TDS Standardausstattung. Bei Geräten ohne TekProbe-Schnittstelle kann zur Stromversorgung das Netzteil 1103 für TekProbe verwendet werden (siehe Seite 11).

Merkmale und Zubehör

In Tabelle 1 sind die Merkmale und das Standardzubehör für die Differentialtastköpfe P6246 und P6247 aufgeführt.

Tabelle 1: P6246 und P6247 Leistungsmerkmale und Standardzubehör

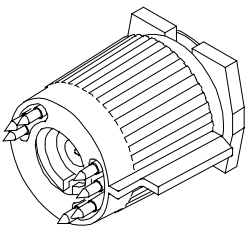

Merkmal/Zubehör	Beschreibung
	<p>Schnittstelle TekProbe II. Die TekProbe II-Schnittstelle gewährleistet die Stromversorgung an den Tastkopf, wählt die korrekte Anzeigeskalierung und setzt automatisch den 50 Ω Abschluß am Oszilloskopeingang.</p> <p>Falls Ihr Oszilloskop über keine TekProbe II-Schnittstelle verfügt, können Sie wahlweise auch das Netzteil 1103 verwenden (siehe Seite 11.)</p>
BANDWIDTH FULL  200 MHz	<p>Bandbreitenbegrenzung. Der Grenzschieber für die Bandbreite wählt entweder die für den Tastkopf festgelegte Bandbreite oder begrenzt die Bandbreite auf 200 MHz.</p>

Tabelle 1: P6246 und P6247 Leistungsmerkmale und Standardzubehör (Forts.)


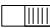
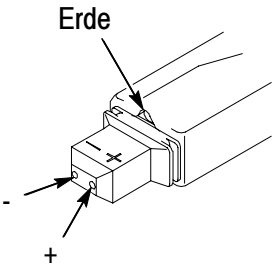
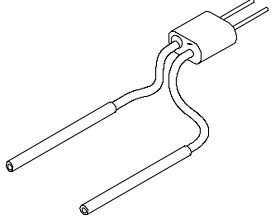
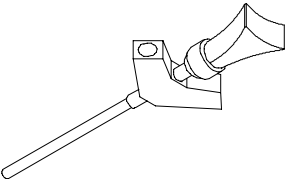
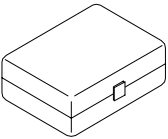
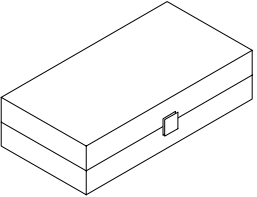
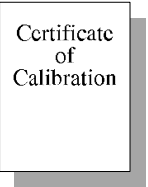
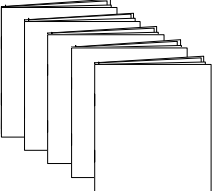

Merkmal/Zubehör	Beschreibung
<p>ATTENUATION $\div 10$  $\div 1$</p>	<p>Tastkopfdämpfung. Der Dämpfungsschalter wählt entweder den Teiler 1 ($\div 1$) oder den Teiler 10 ($\div 10$). Der Gleichtaktunterdrückungsgrenzwert des Tastkopfs beträgt 850 mV in der Stellung $\div 1$ und 8,5 V in der Stellung $\div 10$.</p>
<p>DC REJECT ON  OFF</p>	<p>DC-Sperrung. Wenn eingeschaltet (ON) wird nur die AC-Komponente durchgelassen, und zwar bis zu einem unteren Wert von 4 Hz in der Einstellung $\div 10$ und 0,4 Hz in der Einstellung $\div 1$. Wenn ausgeschaltet (OFF) werden sowohl DC- als auch AC-Komponenten des Signals durchgelassen.</p>
	<p>Anschlüsse Eingang. An die Tastkopfanschlüsse (+), (-) und Erde kann Standard- und Sondertastkopfbühler angeschlossen werden. Der Tastkopf kann auch direkt an ein Paar 0,63 mm Vierkantstifte mit einem genormten Abstand von 2,54 mm zum Mittelpunkt angeschlossen werden.</p> <p>VORSICHT: Um eine Beschädigung der Eingangsanschlüsse zu vermeiden, an die Eingänge keine Vierkantstifte anschließen, die das Maß von 0,63 mm überschreiten. Um eine lange Lebensdauer der Stecker zu gewährleisten, nur glatte, vergoldete Stifte nehmen.</p>
	<p>Y-Leitungsadapter. Der Y-Leitungsadapter wird direkt am Tastkopf eingesteckt. Die mit Steckbuchsen versehenen Leitungsenden können an die Tastkopfspitzen bzw. das jeweilige Zubehör angeschlossen oder auf die 0,63 mm Stifte gesetzt werden.</p>
	<p>Greifer für integrierte Schaltkreise (IS). Zur Prüfung von Anschlüssen bei DIL-Gehäusen sind die dafür vorgesehenen IS-Greifer zu verwenden.</p>

Tabelle 1: P6246 und P6247 Leistungsmerkmale und Standardzubehör (Forts.)

Merkmal/Zubehör	Beschreibung
	<p>Kurzer Erdkontakt. Beim Prüfen von Komponenten mit geringen Abmessungen, die einen nahegelegenen Erdungspunkt haben, empfiehlt es sich, den kurzen Erdanschluß zu verwenden. Wird der Tastkopf direkt an die 0,63 mm Stifte (2,54 mm Abstand) angeschlossen, kann die Erdung problemlos über die danebenliegenden Vierkantstifte erfolgen. Siehe Abbildung 2 auf Seite 18.</p>
	<p>Erdleitung. Zum Anschluß der Tastköpfe an den Schaltkreis ist die 150 mm Erdleitung zu verwenden. Die mit Steckbuchsen versehenen Leitungsenden können an die Tastkopfspitzen bzw. das jeweilige Zubehör angeschlossen oder auf die 0,63 mm Stifte gesetzt werden.</p>
	<p>Doppelspitzen-Adapter. Dieses Zubehörteil verfügt über zwei verstellbare Spitzen zur Prüfung von dicht nebeneinanderliegenden Anschlüssen.</p>
	<p>Gefederter Erdungsstift. Beim Prüfen von Komponenten, die über einen nahegelegenen Erdungspunkt verfügen, ist der gefederte Erdungsstift zu verwenden.</p>
	<p>Doppelfuß-Adapter. Zur Prüfung von zwei nebeneinanderliegenden Anschlüssen bei integrierten Schaltungen mit Oberflächenmontage ist der Doppelfuß-Adapter zu verwenden. Die flexiblen Finger können an eine Vielzahl von Anschlußabständen angepaßt werden. Siehe Abbildung 5 auf Seite 21.</p>
<p data-bbox="298 1423 576 1451">Farbige Markierungsbänder</p> 	<p>Farbige Markierungsbänder. Befestigen Sie am Kabel zusammengehörige Paare von farbigen Markierungsbändern am Kopf und an der Kompensierungsbox jedes Tastkopfs. Anhand der Markierungsbänder kann schnell überprüft werden, welcher Tastkopf mit welchem Gerätekanal verbunden ist.</p>
	<p>Tastkopfspitze-BNC-Adapter. Dieses Zubehörteil ermöglicht den Anschluß des Tastkopfs an einen BNC-Stecker.</p>

Tabelle 1: P6246 und P6247 Leistungsmerkmale und Standardzubehör (Forts.)

Merkmal/Zubehör	Beschreibung
	<p>Zubehörsatz Tastkopfspitzen. Dieser Satz enthält die folgenden Zubehörteile:</p> <ul style="list-style-type: none"> 10 Farbige Markierungsbänder 1 Y-Leitungsadapter 3 IS-Greiferr 2 Kurzer Erdkontakt 1 Erdleitung 2 Doppelspitzen-Adapter 2 Gefederter Erdungsstift 2 Doppelfuß-Adapter 1 Tastkopfspitze-BNC-Adapter <p>Ersatzteilnummer: 020-2203-XX</p>
	<p>Gerätebehälter. Der Gerätebehälter schützt den Tastkopf vor rauen Umgebungsbedingungen und bietet zusätzlich Platz für die Aufbewahrung des Sonderzubehörs.</p> <p>Ersatzteilnummer: 016-1899-XX</p>
	<p>Eichzertifikat. Jedes Gerät wird mit einer Bescheinigung zum Beleg der Eichung ausgeliefert.</p>
	<p>Satz Benutzerhandbücher. (Beinhaltet dieses Handbuch) Enthält Anweisungen für den Betrieb der Differentialtastköpfe P6246 und P6247 in Englisch, Französisch, Deutsch, Japanisch und Koreanisch.</p> <p>Ersatzteilnummer: 070-9898-XX</p>
	<p>Wartungshandbuch. Enthält die die Auflistung der Prüfverfahren für die Leistungsmerkmale der austauschbaren Teile (nur in Englisch).</p> <p>Ersatzteilnummer: 070-9899-XX</p>

In Tabelle 2 sind die Sonderzubehöerteile, die Sie für die Differential-tastköpfe P6246 und P6247 bestellen können, aufgeführt.

Tabelle 2: Sonderzubehör und Geräteoptionen

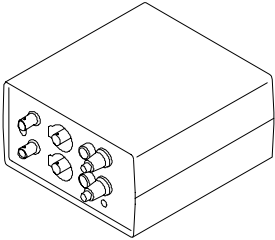
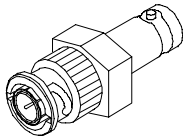
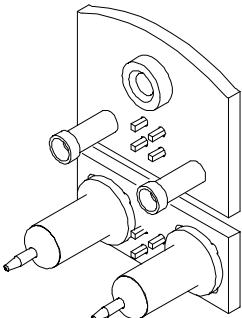
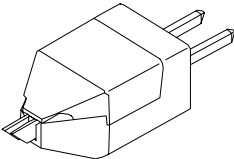
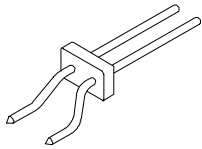
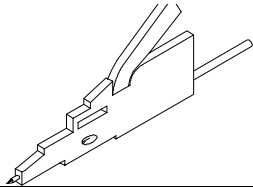
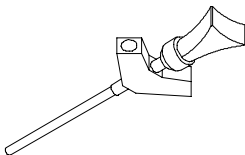
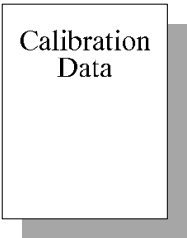
Zubehör/Option	Beschreibung
 	<p>Netzteil 1103. Bestellen Sie zur Stromversorgung das Netzteil 1103, falls Ihr Gerät über keine TekProbe II-Schnittstelle verfügt. Das Anschlußkabel ist für die folgenden Länder und Regionen in der entsprechenden Ausführung lieferbar.</p> <p>Standard. Nordamerika und Japan</p> <p>Option A1. Europa</p> <p>Option A2. UK</p> <p>Option A3. Australien</p> <p>Option A5. Schweiz</p> <p>50 Ω Abschluß. Setzt den Ausgang des Netzteils 1103 auf die erforderlichen 50 Ω, falls das Oszilloskop über keine 50 Ω Eingangseinstellung verfügt. Bestellen Sie 011-0049-01.</p> <p>50 Ω BNC-Kabel. Zum Anschluß an Ausgang der Komponente 1103. Teilenummer: 012-0076-00</p>
	<p>Tastkopfspitzen-Adapter P6046/HP1141A. Dieses Zubehörteil dient zum Anschluß von Prüfvorrichtungen, die für die Tastköpfe Tektronix P6046 oder Hewlett-Packard HP1141A konzipiert sind.</p> <p>Teilenummer: 013-0304-00</p>
	<p>Ersatz Doppelfuß-Adapter.</p> <p>Teilenummer: 013-0306-04 (4-teiliger Satz)</p>

Tabelle 2: Sonderzubehör und Geräteoptionen (Fonts.)

Zubehör/Option	Beschreibung
	<p>Ersatz Doppelspitzen-Adapter. Teilenummer: 013-0305-04 (4er Packung)</p>
	<p>Ersatz Mikrogreifer. Bestellen Sie SMK4 (4er-Packung)</p>
	<p>Ersatz IS-Greifer. Bestellen Sie SMG50 (20er Packung)</p>
	<p>Kalibrierungsdaten (Option 95). Option 95, die beim Kauf mitbestellt werden muß, dokumentiert die während der Kalibrierung gemachten Messungen.</p>

Installation

Bevor Sie den Ausgang des Differentialastkopfs P6246 bzw. P6247 anschließen, stellen Sie zunächst fest, ob Ihr Oszilloskop über eine TekProbe II-Schnittstelle verfügt. Siehe Abbildung 1.

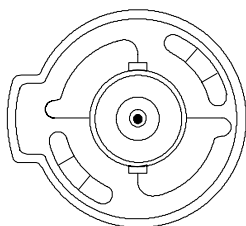


Abbildung 1: Eingangsanschluß der Schnittstelle TekProbe II

Geräte mit Schnittstelle TekProbe II (Tektronix-Oszilloskope der Serie TDS 400, 500, 600 und 700)

Bei Geräten, die über eine TekProbe II-Schnittstelle verfügen, den Tastkopf einfach an den Eingang anschließen. Die TekProbe II-Schnittstelle versorgt den Tastkopf mit Strom, wählt die korrekte Anzeigeskalierung und setzt automatisch den 50 Ω Abschluß am Oszilloskopeingang.

HINWEIS. Die Oszilloskope der Serien TDS 400 und TDS 400A interpretieren die Dämpfungseinstellung von P6246 und P6247 immer als $\div 10$. Bei Verwendung der Tastkopf-Dämpfunseinstellung $\div 1$, ist der Meßwert (oder Skalierfaktor) durch 10 zu dividieren.

Geräte ohne Schnittstelle TekProbe II

Bei Geräten, die nicht mit einer TekProbe-Schnittstelle ausgestattet sind, benötigen Sie zur Stromversorgung das optionale Netzteil 1103 (siehe Seite 11). Ein 1103 kann zwei Tastköpfe speisen. Der Eingang des Oszilloskops muß ebenfalls auf 50 Ω abgeschlossen sein. Auf Seite 25 finden Sie Informationen über die Auswirkungen einer Verlängerung des Tastkopfausgangs.

Bei der Dämpfungseinstellung des Tastkopfs ist zu beachten, daß die jeweilige Einstellung bei den Messungen berücksichtigt wird. Ist der Tastkopf z.B. auf $\div 10$ eingestellt und zeigt das Gerät ein Signal mit $0,2 V_{p-p}$ (Spitze-Spitze) an, ist die tatsächliche Amplitude des Signals $2 V_{p-p}$.

Grundzüge der Betriebsweise

Dieser Abschnitt behandelt für den Betrieb wesentliche Aspekte sowie Prüfverfahren. Weitere Einzelheiten zu Differentialmessungen und Gleichtaktunterdrückung finden Sie im *Referenzteil* auf Seite 22.

Grenzwerte Eingangsspannung

Die Differentialastköpfe P6246 und P6247 sind für die Prüfung von Niederspannungsschaltkreisen konzipiert. Vor der Durchführung einer Spannungsprüfung sind die Grenzwerte für die maximale Eingangsspannung, den Gleichtakt sowie die Differentialspannung zu berücksichtigen.

Maximale Eingangsspannung

Die maximale Eingangsspannung ist die maximale Spannung zur Erde, mit der jeder Eingang belastet werden kann, ohne daß die Eingangsschaltung des Tastkopfs beschädigt wird.



VORSICHT. Um eine Beschädigung der Eingänge der Tastköpfe P6246 und P6247 zu vermeiden, darf die Spannung zwischen jedem Eingang und Erde nicht mehr als $\pm 25 \text{ V (DC + Spitze-AC)}$ betragen.

Gleichtaktsignalbereich

Der Gleichtaktsignalbereich ist die maximale Spannung, die an jedem Eingang in bezug auf das Erdpotential angelegt werden kann, ohne daß der Eingangsschaltkreis des Tastkopfs voll belastet wird. Eine Gleichtaktspannung, die den Gleichtaktsignalbereich überschreitet, kann ein falsches Ausgangssignal erzeugen, auch wenn die Vorgaben für die Differenz erfüllt sind. Technische Daten siehe Seite 27.

Um zu prüfen, ob das Gleichtaktsignal innerhalb des vorgegebenen Bereichs liegt, ist der Tastkopf auf + 10 einzustellen, ein Tastkopfeingang vorübergehend an Erde anzuschließen und der

andere Tastkopfeingang an einen Ausgang des Differentialsignals anzuschließen. Dieser Vorgang ist zur Prüfung des anderen Ausgangs des Differentialsignals zu wiederholen.

Differentialsignalbereich

Der Differentialsignalbereich ist die maximale Spannungsdifferenz zwischen den (+) und den (-) Eingängen, die der Tastkopf ohne Signalverzerrung aufnehmen kann. Die von einer zu hohen Spannung verursachte Verzerrung kann eine ungültige Messung zur Folge haben. Technische Daten siehe Seite 27.

Dämpfungseinstellungen

Der Differentialtastkopf verfügt über zwei Dämpfungseinstellungen: + 1 und + 10. Die Einstellung + 1 bietet das günstigste Störspannungsverhalten bei Signalen mit niedriger Amplitude. Die Einstellung + 10 erhöht den Differentialsignalbereich um den Faktor 10.

DC-Sperrung

Der DC-Sperrmodus entfernt die DC-Komponente aus dem Tastkopfausgang. Die DC-Sperrung ist dann von Nutzen, wenn der Tastkopf mit Geräten verwendet wird, bei denen ein Anlegen von Gleichstrom an den Eingängen nicht möglich ist (wie z.B. bei Spektrumanalysatoren) oder beim Messen von Signalen mit kleiner Amplitude, die auf einer Offset-Komponente mit großer Differenz liegen.

Die DC-Sperrung erzeugt einen internen Offset, der die DC-Komponente des Signals wegnimmt. Durch diese Nullabgleichmethode sind keine Eingangskopplungskondensatoren mehr erforderlich, die ansonsten das Gleichtaktunterdrückungsverhalten erheblich beeinträchtigen und zusätzliche Aufsteckvorrichtungen für die Tastkopfspitze erfordern würden.

Da der Eingang immer direkt gekoppelt ist, erhöht der DC-Sperrmodus die Gleichtakt- und Differenz-Dynamikbereiche für DC-

Komponenten nicht. Mit dem DC-Sperrmodus besteht auch keine Möglichkeit zu einer externen Offseteinstellung mehr.

Tastkopferdung

Differentialmessungen sind nicht das gleiche wie potentialfreie Messungen. Zusätzlich zu den (+) und (-) Eingängen am Tastkopf ist auch ein Erdeingang (gemeinsam) vorhanden. (Siehe Abbildungen 2 und 3.)



VORSICHT. *Um eine Beschädigung des zu prüfenden Schaltkreises zu vermeiden, ist die Tastkopferde (gemeinsam) nur an einen Erdbezugspunkt anzuschließen.*

Der Tastkopf kann zur Durchführung einer Differentialmessung verwendet werden, unabhängig davon, ob die Erde (gemeinsam) angeschlossen ist oder nicht.

Bei einigen Verwendungen ist ein Erdreferenzanschluß erforderlich, um eine gewisse Meßgenauigkeit zu erhalten. Im allgemeinen ist dies beim Prüfen von Schaltkreisen erforderlich, die vollständig schutzisoliert sind, wie z.B. batteriebetriebene Geräte. Bei den meisten Verwendungen ist jedoch die Gleichtaktimpedanz zu Erde größer als die Differentialimpedanz. Daher wird durch das Anschließen der Tastkopferleitung die Hochfrequenzleistung der Messung nicht verbessert.

Zusätzlich zu der 150 mm Erdleitung steht weiteres Erdleitungszubehör zur Verfügung, das für bestimmte Verwendungen von Nutzen ist. In Abbildung 2 auf Seite 18 ist die Verwendung des kurzen Erdkontakts dargestellt. Abbildung 4 auf Seite 20 zeigt den gefederten Erdstift.

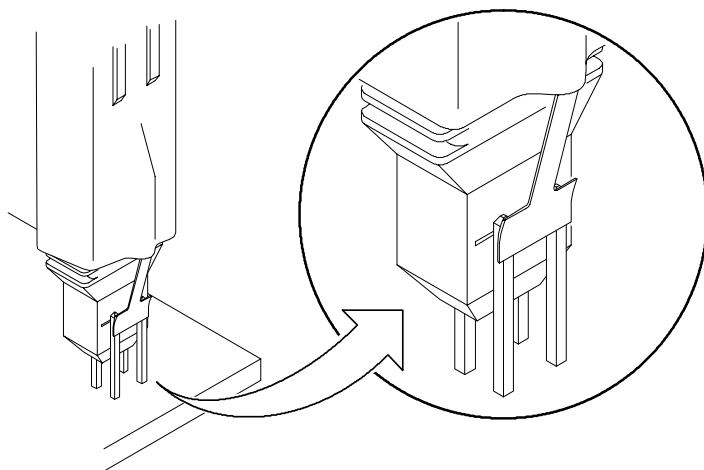


Abbildung 2: Verwendung des kurzen Erdkontakts

Eingangsimpedanz und Tastkopfbelastung

Beim Anschluß der Tastkopfeingänge an einen Schaltkreis werden in den Schaltkreis ein neuer Widerstand sowie eine neue Kapazität und Induktanz eingeführt. Jeder Eingang der Differentialtastköpfe P6246 und P6247 hat eine charakteristische Eingangsimpedanz von $100\text{ k}\Omega$ zu Erde parallel mit weniger als 1 pF . Siehe Abbildung 3.

Für Signale mit niedriger Quellimpedanz und -frequenz ist die Eingangsimpedanz von $100\text{ k}\Omega$ auf jedem Eingang groß genug, um zu verhindern, daß die Eingänge die Signalquellen belasten. Je größer die Quellimpedanzen sind und je höher die Signalfrequenzen, um so mehr sollten diese Faktoren berücksichtigt werden.

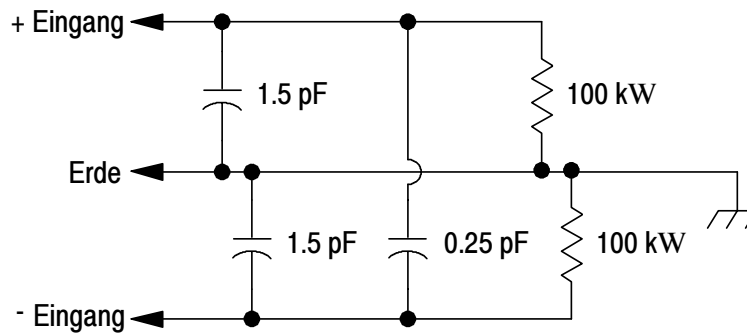


Abbildung 3: Typisches Tastkopf-Eingangsmodell

Mit ansteigender Impedanz einer Signalquelle an einem Eingang steigt auch die Belastung der Quelle durch den Tastkopf und verringert sich die Signalamplitude.

Die Signalfrequenz wirkt sich ebenfalls auf die Signalmessung aus. Mit ansteigender Signalfrequenz verringert sich die Eingangsimpedanz des Tastkopfs. Je niedriger die Impedanz des Tastkopfs im Verhältnis zu der Quelle, um so mehr belastet der Tastkopf den zu prüfenden Schaltkreis und um so mehr verringert sich die Signalamplitude. Ein Diagramm, das die Frequenz im Verhältnis zur Eingangsimpedanz zeigt, findet sich in Abbildung 9 auf Seite 31.

Gleichtaktunterdrückung

Das Gleichtaktunterdrückungsverhältnis (CMRR) ist die spezifizierte Fähigkeit von Differentialtastköpfen P6246 und P6247, Signale zu unterdrücken, die bei beiden Eingängen vorhanden sind. Präziser ausgedrückt, ist das Gleichtaktunterdrückungsverhältnis das Verhältnis der differentiellen Verstärkung zur Gleichtaktverstärkung. Je größer das Verhältnis, um so größer ist die Fähigkeit zur Unterdrückung von Gleichtaktsignalen.

Die Gleichtaktunterdrückung nimmt mit steigender Eingangsfrequenz ab. Abbildung 8 auf Seite 30 zeigt ein Diagramm einer typischen Gleichtaktunterdrückung des Tastkopfs im Verhältnis zur Eingangsfrequenz. Eine detailliertere Behandlung des Gleichtaktunterdrückungsverhältnisses findet sich auf Seite 23.

Prüfverfahren zur Maximierung der Gleichtaktunterdrückung

Die Gleichtaktunterdrückung des Tastkopfs ist am höchsten, wenn die in den Abbildungen 4 und 5 dargestellten Zubehörteile verwendet werden. Diese Zubehörteile minimieren den Abstand zwischen dem Tastkopf und einer Signalquelle.

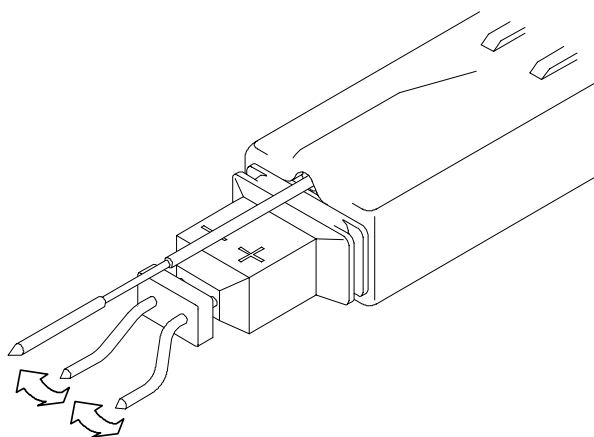


Abbildung 4: Verwendung des Eingangsleitungs-Zubehörs zum Erreichen eines hohen Gleichtaktunterdrückungsverhältnisses

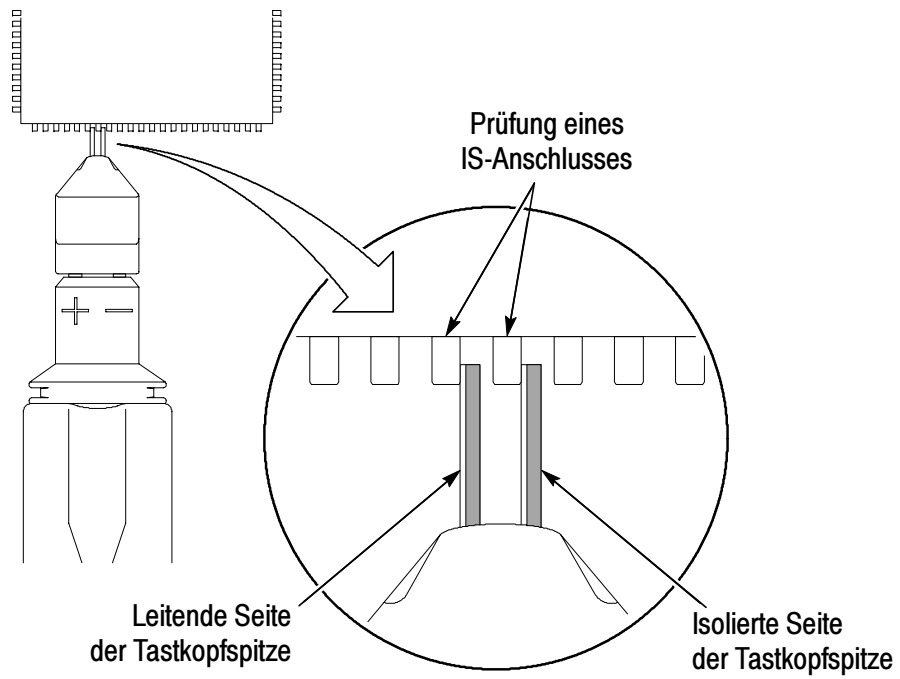


Abbildung 5: Verwendung des Doppelfuß-Adapters

Referenzteil

Dieser Abschnitt enthält wichtige Referenzinformationen über Differentialmessungen und darüber, wie Sie die Genauigkeit Ihrer Messungen erhöhen können.

Probleme bei Eintaktmessungen

Obwohl sie für zahlreiche Verwendungen geeignet sind, können bei Eintaktmessungen in den folgenden Situationen Probleme auftreten:

- wenn das Signal nicht potentialbezogen ist
- wenn durch das Anschließen oder Abklemmen des Tastkopfs die Erde das Signal verzerrt
- wenn beim Anschließen des Signalbezugs zu Erde der Schaltkreis beschädigt oder gestört wird

Differentialmessungen

Mit Geräten, die für die Durchführung von Differentialmessungen konzipiert sind, werden mit Einzeltaktsystemen verbundene Probleme vermieden. Diese Geräte verfügen über zahlreiche Differentialtastköpfe, Differentialverstärker und Trennglieder.

Der Differentialverstärker (Abbildung 6) ist bei jedem Gerät oder System, das zur Durchführung von Differentialmessungen konzipiert ist, die zentrale Komponente. Im Idealfall unterdrückt der Differentialverstärker jede Spannung, die bei beiden Eingängen vorhanden ist, und verstärkt jeden Unterschied zwischen den beiden Eingängen. Die Spannung, die bei beiden Eingängen auftritt wird oft auch als Gleichtaktspannung bezeichnet (V_{CM}); die sich unterscheidende Spannung wird als Differenzspannung bezeichnet (V_{DM}).

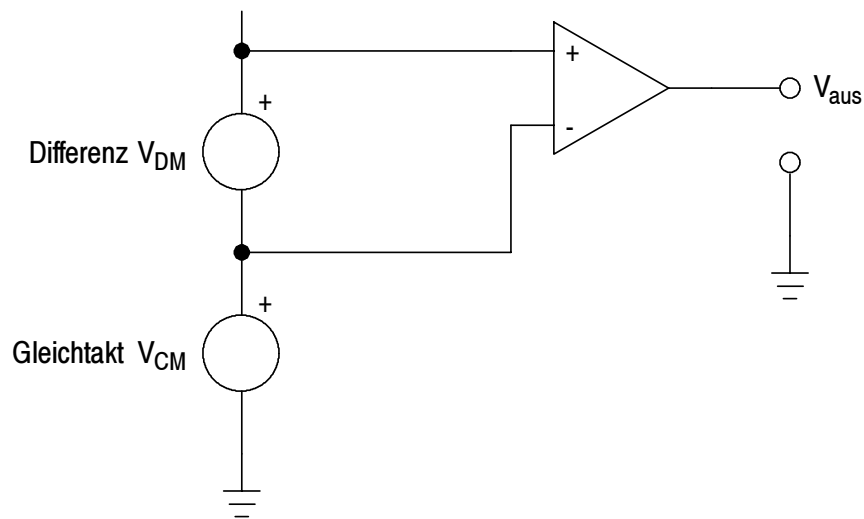


Abbildung 6: Vereinfachtes Modell eines Differentialverstärkers

Gleichtaktunterdrückungsverhältnis

In der Tat kann ein Differentialverstärker nicht das vollständige Gleichtaktsignal unterdrücken. Die Fähigkeit eines Differentialverstärkers zur Unterdrückung des Gleichtaktsignals wird als Gleichtaktunterdrückungsverhältnis (CMRR) ausgedrückt. Dieses Verhältnis ist die differentielle Verstärkung (A_{DM}) geteilt durch die Gleichtaktverstärkung (A_{CM}). Es wird entweder als Quotient oder in dB ausgedrückt.

$$CMRR = \frac{A_{DM}}{A_{CM}} \quad dB = 20 \log \frac{V_{DM}}{V_{CM}}$$

Das Gleichtaktunterdrückungsverhältnis ist im allgemeinen am höchsten (und damit am günstigsten) bei Gleichstrom und verschlechtert sich mit zunehmender Frequenz.

Bestimmung des Gleichtaktunterdrückungsfehlers

Abbildung 8 auf Seite 30 zeigt das Gleichtaktunterdrückungsverhältnis für die Differentialtasköpfe P6246 und P6247. Bei diesem Unterlastungsdiagramm wird ein sinusförmiges Gleichtaktsignal angenommen.

Eine Möglichkeit für die schnelle Bestimmung der Größe des Gleichtaktunterdrückungsfehlers bei einem nicht sinusförmigen Gleichtaktsignal ist, beide Anschlüsse im Schaltkreis an den selben Punkt anzuschließen. Das Oszilloskop zeigt nur die Gleichtaktkomponente an, die vom Tastkopf nicht vollständig unterdrückt wird. Obwohl dieses Verfahren keine absolut genauen Messungen ermöglicht, kann dennoch festgestellt werden, ob die des Gleichtaktunterdrückungsfehlersignals bedeutend ist.

Auswirkungen der Eingangsimpedanz auf das Gleichtaktunterdrückungsverhältnis

Je niedriger die Eingangsimpedanz des Tastkopfs im Verhältnis zur Quellimpedanz, um so niedriger ist das Gleichtaktunterdrückungsverhältnis. Siehe Abbildung 8 auf Seite 30. Signifikante Unterschiede in der Quellimpedanz der beiden Eingänge bewirken ebenfalls eine Verringerung des Gleichtaktunterdrückungsverhältnisses.

Verlängerung der Eingangsleitungen

Zuweilen kann es erforderlich sein, die Tastkopfeingänge mit Drähten oder Tastkopfspitzenadaptern zu verlängern. In einem solchen Fall sollte die Längen der Zuführungsleitungen so gering wie möglich gehalten werden, um die Gleichtaktunterdrückung zu optimieren. Weiterhin sollten die Leitungen wie in Abbildung 7 dargestellt miteinander verdreht werden.

Durch das Verdrehen der Eingangsleitungen wird die Kapazität erhöht, was zu einer Verringerung der Hochfrequenzleistung führen kann. Bei der Durchführung von Messungen sollten alle Auswirkungen, die durch die verlängerten Leitungen verursacht werden, berücksichtigt werden.



VORSICHT. Um eine Beschädigung der Eingangsanschlüsse zu vermeiden, an die Eingänge keine Vierkantstifte anschließen, die das Maß von 0,63 mm überschreiten.

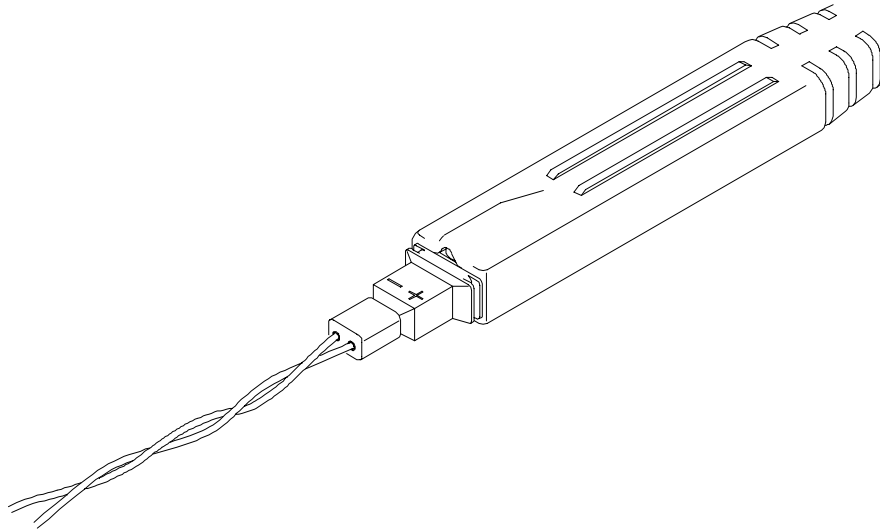


Abbildung 7: Verdrehen der Eingangsleitungen

Verlängerung der Erdleitung

Die Verlängerung der Erdleitung hat, wenn überhaupt, nur geringfügige Auswirkungen auf die Messungen. Bei den meisten Schaltkreisen hat der Erdfeld von der Differentialquelle eine ausreichend hohe Impedanz, um ein von der Leitungsinduktanz verursachtes Nachschwingen zu dämpfen.

Verlängerung des Tastkopfausgangs

Mit dem TekProbe-Netzteil 1103 ist es möglich, den Ausgang des Tastkopfs zu verlängern, um den Tastkopf an andere Arten von Meßgeräten oder einfach an eine sich außerhalb der Tastkopfreichweite befindende Signalquelle anschließen zu können.

Abschluß des Tastkopfs

Der Tastkopf ist am Eingang des Meßgeräts mit 50 Ω abzuschließen. Verwenden Sie das TekProbe-Netzteil 1103 zum Anschluß des Differentialtastkopfs, und stellen Sie die Eingangsimpedanz am Meßgerät auf 50 Ω ein. Falls das Meßgerät einen Eingangsabschluß von 50 Ω nicht unterstützt, ist an den Eingang ein 50 Ω Koaxialabschluß anzuschließen.

Auswirkungen einer Verlängerung der Ausgangsleitung

Mit ansteigender Signalfrequenz konzentriert sich der Stromfluß am äußeren Rand des Leiters, was sich in einer Erhöhung der Impedanz auswirkt. Dieser Effekt ist als Skineffekt bekannt. Die Tastköpfe P6246 und P6247 enthalten Schaltkreise zur Kompensierung des Skineffektes.

Die Kompensation sorgt beim Tastkopf-kabel für eine flache Reaktion. Die Verlängerung des Ausgangskabels verstärkt den Skineffekt über den von der Kompensationsschaltung ermöglichten Korrekturbereich. Durch Minimierung der Kabelverlängerung wird die Dämpfung verringert.

Bei kritischen Verwendungen, die eine hohe Amplitudengenauigkeit erfordern, sollte die Reaktion des Tastkopfs mit der Verlängerung mit Hilfe einer eingepegelten Signalquelle und einem Leistungsmesser charakterisiert werden. Die Ergebnisse der Eigenschaftsprüfung können dann bei den Messungen einkalkuliert werden.

Verwendung des Tastkopfs mit anderen Geräten

Neben dem Oszilloskop können die Differentialtastköpfe P6246 und P6247 auch mit anderen Arten von Meßgeräten verwendet werden. Zu diesen Geräten gehören unter anderem Spektrumanalysator, Zeitintervallanalysatoren und Netzwerkanalysatoren.

Bei der Verwendung der Differentialtastköpfe mit diesen Geräten ist der Tastkopf vor der Durchführung einer Messung mit den Geräten zu skalieren.

Technische Daten

Die in den Tabellen 3 bis 6 aufgeführten technischen Daten beziehen sich auf einen Tastkopf P6246 oder P6247, der an einem Tektronix-Oszilloskop TDS 784A angeschlossen ist. Bei Verwendung des Tastkopfs mit einem anderen Oszilloskop muß dieses über eine Eingangsimpedanz von 50Ω und eine Bandbreite von 1 GHz verfügen. Für den Tastkopf ist eine Einlaufzeit von mindestens 20 Minuten erforderlich und er ist unter Umgebungsbedingungen zu betreiben, mit denen die in Tabelle 3 aufgeführten Grenzwerte nicht überschritten werden. Die Spezifikationen für die Differentialtastköpfe P6246 und P6247 sind in drei Kategorien unterteilt: garantierte, typische und nominelle Eigenschaften.

Garantierte Eigenschaften

Die garantierten Eigenschaften (Tabelle 3) beschreiben die garantierten Leistungsmerkmale innerhalb der Toleranzgrenzen bzw. bestimmter für die jeweilige Ausführung geprüfter Anforderungen. Garantierte Eigenschaften, für die im Abschnitt *Funktionsprüfung* des Wartungshandbuchs (070-9899-XX) eine entsprechende Prüfung vorgesehen ist, sind mit dem Symbol ✓ gekennzeichnet.

Tabelle 3: Garantierte elektrische Eigenschaften

✓ Genauigkeit DC-Dämpfung	$\pm 2\%$ Eingangsspannung: $\pm 750 \text{ mV} (\div 1)$ und $\pm 7.5 \text{ V} (\div 10)$ $\pm 5\%$ Eingangsspannung: $\pm 850 \text{ mV} (\div 1)$ und $\pm 8.5 \text{ V} (\div 10)$
Maximale zerstörungsfreie Eingangsspannung	$\pm 25 \text{ V}_{(\text{DC} + \text{peak AC})}$ zwischen Signal und Masse des selben Kanals.
✓ Bereich Differentialsignal (DC gekoppelt)	$\pm 8,5 \text{ V}$ bei Dämpfungseinstellung $\div 10$ $\pm 850 \text{ mV}$ bei Dämpfungseinstellung $\div 1$
Bereich Gleichtaktsignal (DC gekoppelt)	$\pm 7 \text{ V}$

Tabelle 3: Garantierte elektrische Eigenschaften (Forts.)

✓ Ausgangsoffsetspannung	± 10 mV (+ 20° C bis + 30° C) ± 50 mV (0° C bis + 60° C)
Anstiegszeit (nur Tastkopf)	P6246: < 875 ps P6247: < 350 ps
✓ Gleichtakunterdrückungsverhältnis	45 dB bei 1 MHz in ÷ 10 25 dB bei 100 MHz in ÷ 10 20 dB bei 500 MHz in ÷ 10 18 dB bei 1 GHz in ÷ 10 60 dB bei 1 MHz in ÷ 1 38 dB bei 100 MHz in ÷ 1 35 dB bei 500 MHz in ÷ 1 30 dB bei 1 GHz in ÷ 1
✓ Bandbreite (nur Tastkopf)	P6246: DC bis ≥ 400 MHz (- 3dB) P6247: DC bis ≥ 1 GHz (- 3dB)
Temperatur	Betrieb: 0 to + 50° C 0 to + 60° C ¹ (tastkopf) Außer Betrieb: - 55 bis + 75° C ¹
Feuchtigkeit	Betrieb: geprüft bei 0-90% RH, + 30 bis + 50° C Außer Betrieb: geprüft bei 0-90% RH, + 30 bis + 60° C

¹ **Beachten Sie den folgenden Hinweis.**



WARNUNG. Um bei hohen Umgebungstemperaturen eine Verbrennungsgefahr zu vermeiden, bei Betriebstemperaturen über + 50° C oder Ruhetemperaturen über + 70° C den Tastkopf nicht mit bloßen Händen berühren.

Typische Eigenschaften

Die typischen Eigenschaften (Tabellen 4 und 5) beschreiben typische aber nicht garantierte Leistungsmerkmale.

Tabelle 4: Typische elektrische Eigenschaften

Differential-Eingangswiderstand, DC gekoppelt	200 k Ω
Eingangswiderstand, DC gekoppelt	100 k Ω \pm 2%
Differentialeingangskapazität	< 1 pF bei 1 MHz
Gleichtakteingangskapazität	< 2 pF bei 1 MHz
Nichtlineare Verzerrung	\leq 1,5% gemessen mit 495 mV _{RMS} (oder 1,4 V _{P-P}) Ausgang bei 100 MHz
Bereich Differentialoffset	\pm 700 mV (Einstellung \div 1) \pm 7 V (Einstellung \div 10)
Gleichtakunterdrückungsverhältnis	Siehe Abbildung 8
Statistisches Rauschen	< 50 nV/ $\sqrt{\text{Hz}}$ bei 100 MHz
Eingangsimpedanz	Siehe Abbildung 9
Grenzwert Bandbreite	-3 dB bei 200 MHz
Bandbreite DC-Sperrung	-3 dB bei 4 Hz (Einstellung \div 10) -3 dB bei 0,4 Hz (Einstellung \div 1)
Welligkeit im Durchlaßbereich	P6246: $\leq \pm$ 0,25 dB bis zu 3 dB Bandbreite (Abweichung von einer nominellen Steigung) P6247: $\leq \pm$ 0,25 dB bis 850 MHz (Abweichung von einer nominellen Steigung)

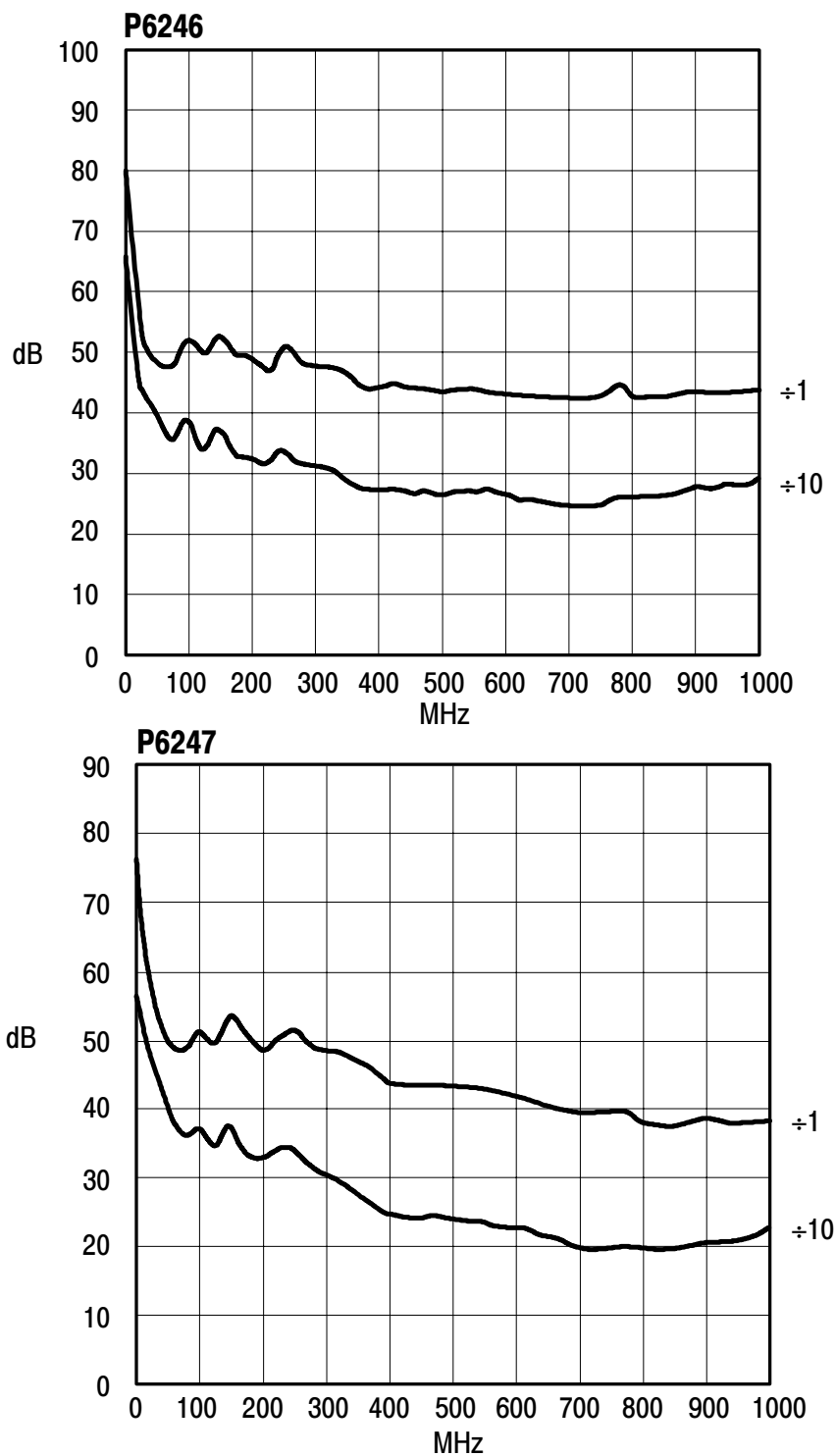


Abbildung 8: Typisches Gleichtaktunterdrückungsverhältnis (Dämpfung ÷ 1 und ÷ 10)

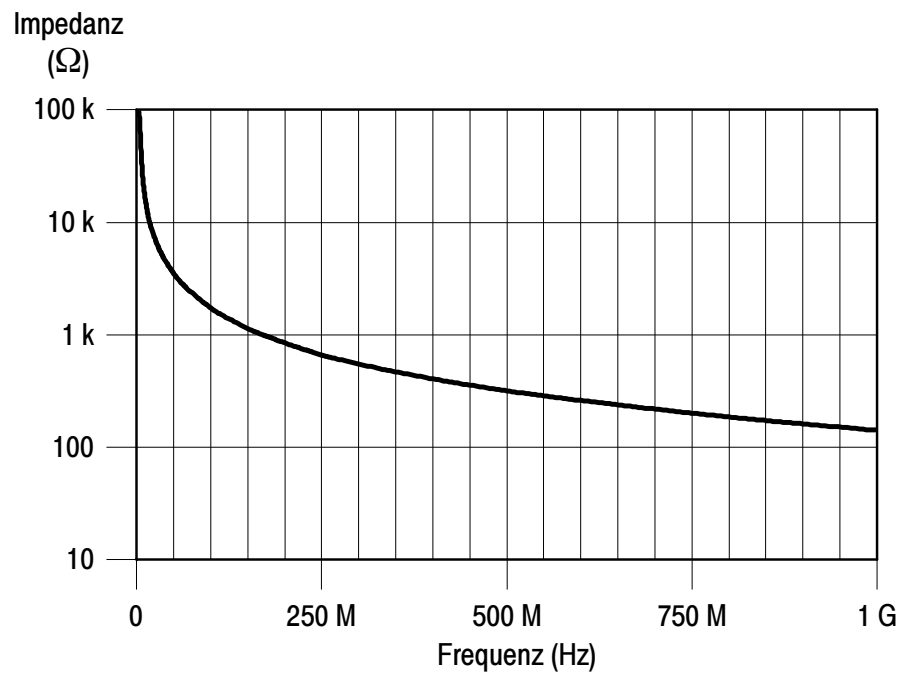


Abbildung 9: Typische Eingangsimpedanz im Verhältnis zur Frequenz

Tabelle 5: Typische mechanische Eigenschaften

Abmessungen, Eingangsanschluß	0,63 mm Vierkantstift auf 2,54 mm Mittelpunkte
Abmessungen, Schaltkasten	107 mm x 41 mm x 26 mm
Abmessungen, Tastkopf	78 mm x 12 mm x 9,3 mm
Abmessungen, Ausgangskabel	1,2 m
Einheitsgewicht (nur Tastkopf)	160 g

Nominelle Eigenschaften

Die nominellen Eigenschaften (Tabelle 6) beschreiben die garantierten Leistungsmerkmale jedoch ohne Toleranzgrenzen.

Tabelle 6: Nominelle elektrische Eigenschaften

Eingangskonfiguration	Differential (zwei Eingänge, + und -) mit Gehäuseerde
Ausgangskopplung	DC und DC-Sperrung
Dämpfungseinstellungen	÷ 1 und ÷ 10
Abschluß	Der Tastkopf ist am Eingang des Meßgeräts mit 50 Ω abzuschließen.

インストラクション・マニュアル

Tektronix

P6246型 400MHz / P6247型 1GHz
差動プローブ

070-9898-04

Copyright © Tektronix, Inc. All rights reserved.

当社の製品は、米国その他各国における登録特許および出願中特許の対象となっています。本書の内容は、すでに発行されている他の資料の内容に代わるものです。また製品の仕様は、予告なく変更させていただく場合がありますので、予めご了承ください。

Tektronix, Inc., P.O. Box 500, Beaverton, OR 97077-0001

TEKTRONIX、TEK および TEKPROBE は、Tektronix, Inc. の登録商標です。

WARRANTY

Tektronix warrants that the products that it manufactures and sells will be free from defects in materials and workmanship for a period of one (1) year from the date of shipment. If a product proves defective during this warranty period, Tektronix, at its option, either will repair the defective product without charge for parts and labor, or will provide a replacement in exchange for the defective product.

In order to obtain service under this warranty, Customer must notify Tektronix of the defect before the expiration of the warranty period and make suitable arrangements for the performance of service. Customer shall be responsible for packaging and shipping the defective product to the service center designated by Tektronix, with shipping charges prepaid. Tektronix shall pay for the return of the product to Customer if the shipment is to a location within the country in which the Tektronix service center is located. Customer shall be responsible for paying all shipping charges, duties, taxes, and any other charges for products returned to any other locations.

This warranty shall not apply to any defect, failure or damage caused by improper use or improper or inadequate maintenance and care. Tektronix shall not be obligated to furnish service under this warranty a) to repair damage resulting from attempts by personnel other than Tektronix representatives to install, repair or service the product; b) to repair damage resulting from improper use or connection to incompatible equipment; c) to repair any damage or malfunction caused by the use of non-Tektronix supplies; or d) to service a product that has been modified or integrated with other products when the effect of such modification or integration increases the time or difficulty of servicing the product.

THIS WARRANTY IS GIVEN BY TEKTRONIX IN LIEU OF ANY OTHER WARRANTIES, EXPRESS OR IMPLIED. TEKTRONIX AND ITS VENDORS DISCLAIM ANY IMPLIED WARRANTIES OF MERCHANTABILITY OR FITNESS FOR A PARTICULAR PURPOSE. TEKTRONIX' RESPONSIBILITY TO REPAIR OR REPLACE DEFECTIVE PRODUCTS IS THE SOLE AND EXCLUSIVE REMEDY PROVIDED TO THE CUSTOMER FOR BREACH OF THIS WARRANTY. TEKTRONIX AND ITS VENDORS WILL NOT BE LIABLE FOR ANY INDIRECT, SPECIAL, INCIDENTAL, OR CONSEQUENTIAL DAMAGES IRRESPECTIVE OF WHETHER TEKTRONIX OR THE VENDOR HAS ADVANCE NOTICE OF THE POSSIBILITY OF SUCH DAMAGES.

ソニー・テクトロニクス（株）からご購入の場合は、ソニー・テクトロニクス（株）が製品の保証を致します。マニュアルの最後のページをご参照ください。

目次

安全にご使用いただくために	3
はじめに	5
関連マニュアル	5
お問い合わせについて	6
製品概要	7
アクセサリと機能	7
インストラクション	13
TekProbe II インタフェースを装備している場合 ..	13
TekProbe II インタフェースを装備していない場合	14
基本測定	15
入力電圧	15
最大入力電圧	15
コモンモードでの入力制限	15
差動モードでの入力制限	15
減衰比の設定	16
DC Reject (DC 除去)	16
プローブ・グラウンド	17
入力インピーダンスとプローブ負荷	18
CMRR (同相除去比)	19
CMRR を改善するための測定テクニック	20
詳細説明	21
シングル・エンド測定の問題点	21
差動測定	21
CMRR (同相除去比)	22
CMRR 誤差の確認	23
CMRR の入力インピーダンス効果	23
プローブ・リードの延長	23
グラウンド・リードの延長	24

出力ケーブルの延長	24
プローブを終端する	24
出力ケーブル延長の影響	25
他の測定機器とプローブとの接続	25
仕 様	26
動作特性	26
代表特性	28
一般特性	31

安全にご使用いただくために

安全にご使用いただくため、機器をご使用になる前に、次の事項を必ずお読みください。

修理・校正・部品交換は、専門のサービス員のみが行えます。修理・校正・部品交換が必要な場合は、お買い求めの販売店またはソニー・テクニクス・サービスセンターまでお問い合わせください。

人体保護における注意事項

適切な接地

この製品は、プローブ・ボックスのグラウンド・ピンから TekProbeII インタフェースを装備したオシロスコープまたはプローブ電源を経由して大地グラウンドに接地されます。感電のおそれがありますので、オシロスコープまたはプローブ電源は確実に接地してください。

電氣的な過負荷

感電または発火のおそれがありますので、コモン入力を含むすべてのコネクタには、指定された範囲外の電圧を加えないでください。



キャビネット、カバーの取り外し

感電または発火のおそれがありますので、ケースは外さないでください。

機器が濡れた状態では使用しないでください。

爆発性のガスがある場所では使用しないでください。

プローブのクリーニング

感電を防ぐため、また測定誤差を最小にするためにも、プローブの先端部分は常にきれいにしてください。

機器保護における注意事項

故障と思われる場合

故障と思われる場合は、必ず当社または販売店までご連絡ください。

用語とマークについて

マニュアル中での用語について

本マニュアルでは、安全に使用していただくために、次のような用語を使用する場合があります。



警告：人体や生命に危害を及ぼすおそれのある場合に、その危険を避けるための注意事項が記されています。



注意：機器を損傷するおそれのある場合の注意事項が記されています。

機器上での用語について

機器上には、次に示す用語が記されている場合があります。

DANGER

直ちに人体や生命に危害を及ぼす危険があることを示しています。

WARNING

間接的に、人体や生命に危害を及ぼす危険があることを示しています。

CAUTION

機器および周辺機器に損傷を及ぼすおそれのある箇所であることを示しています。

機器上でのシンボルについて

機器上には、次のようなシンボルが記されています。



高電圧部分であることを示しています。



保護接地端子であることを示しています。



記号の付された説明をマニュアルで参照してください。



二重絶縁であることを示します。



はじめに

この度は当社製品をお買い上げいただき、誠にありがとうございます。

このマニュアルは、P6246型/P6247型 差動プローブのインストラクション・マニュアルです。

関連マニュアル

動作チェック、調整、部品番号等については、サービス・マニュアル（部品番号：070-9899-xx 英文）を参照してください。

お問い合わせ

電話 当社製品に関するお問い合わせは、北米地域からは次のフリー・ダイヤルがご利用になれます（英語のみ）。
1-800-833-9200*
6:00 a.m. - 5:00 p.m. Pacific time

日本国内では、日本テクトロニクス（株）お客様コールセンターまでお問い合わせください。
Tel.: 03-3448-3010 Fax: 0120-046-011
E-mail: ccc.jp@tektronix.com
電話受付時間 / 9:00～12:00・13:00～19:00
月曜～金曜（祝日を除く）

住所 Tektronix, Inc.
Department or name (if known)
14200 SW Karl Braun Drive
P.O. Box 500
Beaverton, OR 97077
USA

日本テクトロニクス株式会社
〒141-0001 東京都品川区北品川 5-9-31
お客様コールセンター

ホームページ www.tektronix.com
www.tektronix.co.jp

セールス・サポート 1-800-833-9200, select option 1*

サービス・サポート 1-800-833-9200, select option 2*

テクニカル・サポート Email: techsupport@tektronix.com
1-800-833-9200, select option 3*
1-503-627-2400

6:00 a.m. - 5:00 p.m. Pacific time

* 北米地域からはフリー・ダイヤルになっています。時間外の場合は、ボイス・メッセージに切り替わります。
日本国内では、日本テクトロニクス（株）お客様コールセンターまでお問い合わせください。

製品概要

P6246型/P6247型は、TekProbe II インタフェースを装備した、高帯域差動プローブです。P6246型では 400 MHz、P6247型では 1 GHz の周波数特性を実現しています。低容量回路負荷、高い CMRR（コモンモード除去比）性能と豊富なアクセサリにより、広範囲な測定アプリケーションにご使用いただけます。

TekProbe II インタフェース（11 ページを参照）は、当社 TDS400 /500 /600 /700 シリーズ・オシロスコープに標準で装備されています。TekProbe II インタフェースのないオシロスコープで使用する場合は、当社 1103 型プローブ電源が必要になります。

アクセサリと機能

表 1 に、P6246型/P6247型に標準で付属しているアクセサリとその機能を示します。

表 1: スタンダード・アクセサリと機能

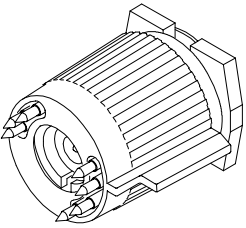


アクセサリ	内 容
	<p>TekProbe II インタフェース プローブに必要な電源はオシロスコープから供給され、垂直軸スケールや 50 Ω の入力インピーダンス設定は、自動的にオシロスコープに認識されます。</p> <p>TekProbe II インタフェースをもたないオシロスコープで使用する場合は、当社 1103 型プローブ電源（11 ページを参照）が必要です。</p>
BANDWIDTH FULL  200 MHz	<p>帯域制限切り替えスイッチ 周波数帯域を、FULL（プローブのもっている全帯域）または 200 MHz から選択します。</p>
ATTENUATION ÷10  ÷1	<p>減衰比切り替えスイッチ プローブの減衰比を切り替えます。コモンモードでの最大入力電圧は、÷1 で 850 mV、÷10 で 8.5 V です。</p>

表 1: スタンダード・アクセサリと機能 (続き)

アクセサリ	内 容
<p>DC REJECT ON  OFF</p>	<p>DC 成分除去スイッチ ONに設定すると、減衰比の設定が ÷10 では 4 Hz 以下の周波数成分が、÷1 では 0.4 Hz 以下の周波数成分が除去されます。 OFF に設定すると、すべての信号成分が入力されます。</p>
<p>グラウンド</p> 	<p>入力コネクタ部 標準およびオプションのプロブ・アクセサリを接続します。(+)、(-)のコネクタは、0.1 インチ・ピッチの 0.025 インチ角ピンに接続することができます。 注意：コネクタ部損傷の原因になりますので、0.025 インチより大きな角ピンは接続しないでください。また、接続するピンは金メッキされたものを使用してください。</p>
	<p>Y リード・アダプタ 各種プロブ・チップ、アクセサリを接続するためのアダプタです。また、0.025 インチ角ピンに接続することもできます。</p>
	<p>グラバ・クリップ DIP (Dual-in-line Packages) IC などのピンに接続するのに使用します。</p>
	<p>ショート・グラウンド・コンタクト 0.025 インチ角ピン (0.1 インチ・ピッチ) に直接接続する場合、簡単にグラウンド・ピンに接触させることができます。18ページの図 2 を参照してください。</p>

表 1: スタンダード・アクセサリと機能 (続き)

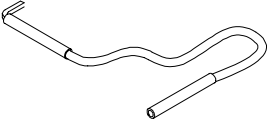
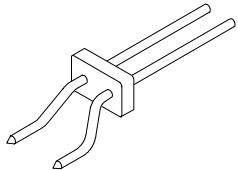
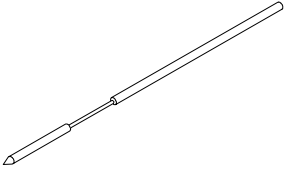
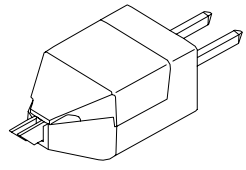
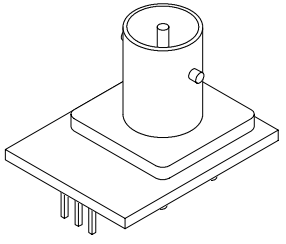
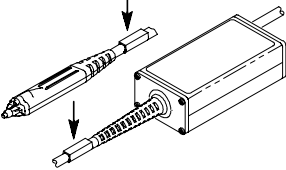
アクセサリ	内 容
	<p>6 インチ・グラウンド・リード プローブ・チップやグラバ・クリップなどのアクセサリを付けてグラウンドをとります。0.025 インチ角ピンに接続することもできます。</p>
	<p>ツイン・チップ・アダプタ 2つの近接した接続ポイントにプロービングする場合に使用します。</p>
	<p>スプリング・グラウンド・ピン スプリングが内蔵されているグラウンド・ピンです。</p>
	<p>ツイン・フット・アダプタ 表面実装 IC の隣り合ったピンをプロービングするのに使用します。20 ページの図 5 を参照してください。</p>
	<p>プローブ・チップ - BNC アダプタ BNC 変換アダプタです。</p>
<p>カラー・マーカ・バンド</p> 	<p>カラー・マーカ・バンド 識別用のカラー・マーカ・バンドです。プローブ本体側とプローブ補正ボックス側に同じ色のマーカ・バンドを取り付けます。どのプローブがどのチャンネルに接続されているかが容易に識別できます。</p> <p>部品番号 : 016-1315-00 (2 個×5 色)</p>

表 1: スタンダード・アクセサリと機能 (続き)

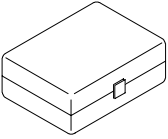
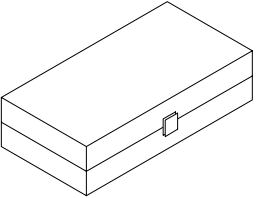
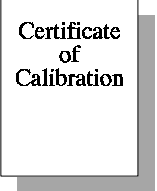
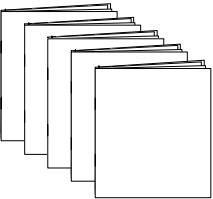

アクセサリ	内 容																		
	<p>プローブ・チップ・アクセサリ・キット 次のアクセサリが入っています。</p> <table border="0"> <tr> <td>カラー・マーカ・バンド</td> <td>2 個 × 5 色</td> </tr> <tr> <td>Y リード・アダプタ</td> <td>1 個</td> </tr> <tr> <td>グラバ・クリップ</td> <td>3 個</td> </tr> <tr> <td>ショート・グラウンド・コンタクト</td> <td>2 個</td> </tr> <tr> <td>グラウンド・リード</td> <td>1 個</td> </tr> <tr> <td>ツイン・チップ・アダプタ</td> <td>2 個</td> </tr> <tr> <td>スプリング・グラウンド・ピン</td> <td>2 個</td> </tr> <tr> <td>ツイン・フット・アダプタ</td> <td>2 個</td> </tr> <tr> <td>プローブ・チップ - BNC アダプタ</td> <td>1 個</td> </tr> </table> <p>部品番号 : 020-2203-XX</p>	カラー・マーカ・バンド	2 個 × 5 色	Y リード・アダプタ	1 個	グラバ・クリップ	3 個	ショート・グラウンド・コンタクト	2 個	グラウンド・リード	1 個	ツイン・チップ・アダプタ	2 個	スプリング・グラウンド・ピン	2 個	ツイン・フット・アダプタ	2 個	プローブ・チップ - BNC アダプタ	1 個
カラー・マーカ・バンド	2 個 × 5 色																		
Y リード・アダプタ	1 個																		
グラバ・クリップ	3 個																		
ショート・グラウンド・コンタクト	2 個																		
グラウンド・リード	1 個																		
ツイン・チップ・アダプタ	2 個																		
スプリング・グラウンド・ピン	2 個																		
ツイン・フット・アダプタ	2 個																		
プローブ・チップ - BNC アダプタ	1 個																		
	<p>収納ケース プローブとアクセサリを収納するケースです。</p> <p>部品番号 : 016-1879-XX</p>																		
	<p>検査合格証</p>																		
	<p>インストラクション・マニュアル 各国言語のマニュアル・セットで、英語、フランス語、ドイツ語、日本語および韓国語の順に記載されています。</p> <p>部品番号 : 070-9898-XX</p>																		
	<p>Service Information (英語のみ) 動作チェック方法および交換部品がリストされています。</p> <p>部品番号 : 070-9899-XX</p>																		

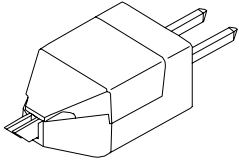
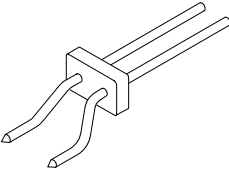
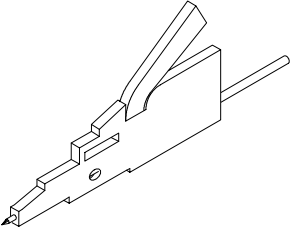
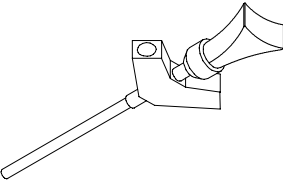
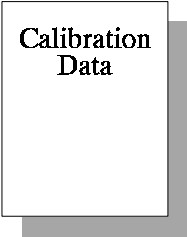
表 2 に、オプション・アクセサリを示します。

表 2: オプション・アクセサリ

アクセサリ	内 容
 	<p>1103型 プローブ電源 TekProbe II インタフェースを装備していないオシロスコープで使用する場合のプローブ電源です。電源コードのオプションが用意されています。</p> <p>標準：北アメリカ、日本</p> <p>オプション A1型：ヨーロッパ</p> <p>オプション A2型：イギリス</p> <p>オプション A3型：オーストラリア</p> <p>オプション A5型：スイス</p> <p>50 Ωターミネーション 1103型プローブ電源を使用した場合、使用するオシロスコープの入力インピーダンスが 50 Ω に設定できないときに使用します。</p> <p>部品番号：011-0049-01</p> <p>50 Ω 同軸ケーブル オシロスコープと 50 Ω ターミネーションを接続します。</p> <p>部品番号：012-0076-00</p>
	<p>P6046/HP1141A プローブ・チップ・アダプタ 当社 P6046型 差動プローブまたは HP 社製 1141A 差動プローブ用のテスト・フィクスチャに接続するためのプローブ・チップ・アダプタです。</p> <p>部品番号：013-0304-00</p>

製品概要

表 2: オプション・アクセサリ (続き)

アクセサリ	内 容
	<p>ツイン・フット・アダプタ 部品番号 : 013-0306-04 (4 個入)</p>
	<p>ツイン・チップ・アダプタ 部品番号 : 013-0305-04 (4 個入)</p>
	<p>マイクロ・グラバ・クリップ SMK4 型 (4 個入)</p>
	<p>グラバ・クリップ SMG50 型 (20 個入)</p>
	<p>校正証明書 (オプション 95 型) 工場出荷時オプションです。</p>

インストール

P6246型/P6247型 差動プローブを使用するにあたり、接続するオシロスコープがTekProbe II インタフェース（図 1）を装備しているか確認する必要があります。

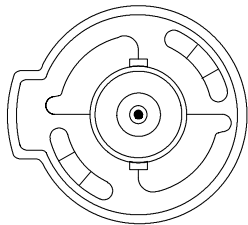


図 1: TekProbe II インタフェースの入力コネクタ部

TekProbe II インタフェースを装備している場合 （当社 TDS シリーズ・オシロスコープ）

お使いのオシロスコープが TekProbe II インタフェースを装備している場合は、直接オシロスコープの入力コネクタに接続します。TekProbe II インタフェースにより、プローブに必要な電源が供給され、スケーリングも正しく認識されます。また、オシロスコープの入力インピーダンスも、自動的に 50 Ω に切り替わります。

注：TDS400/400A シリーズでは、プローブの減衰率は常に $\div 10$ と認識されます。プローブの減衰率を $\div 1$ に設定する場合は、オシロスコープでの測定値を 10 で割って読み取ってください。

TekProbe II インタフェースを装備していない場合

お使いのオシロスコープが TekProbe II インタフェースを装備していない場合は、オプションの当社 1103 型 プローブ電源（11 ページを参照）が必要になります。また、オシロスコープの入力部は、 $50\ \Omega$ で終端する必要があります。1103型の出力ケーブル長の影響については、24 ページを参照してください。

プローブの減衰率を $\div 10$ に設定した場合、スケールの換算が必要になります。例えば、プローブの減衰率を $\div 10$ に設定して測定した結果が $0.2\ V_{p-p}$ の場合、実際の振幅は $2\ V_{p-p}$ になります。

基本測定

この章では、プロービングに関する注意事項および精度良く測定するための測定テクニックについて説明します。差動測定および CMRR (Common-Mode Rejection Ratio : 同相除去比) の詳細については、21ページを参照してください。

入力電圧

P6246型/P6247型 差動プローブは、低電圧回路の測定用に設計されています。このため、測定前には、最大入力電圧および測定モード（コモンモードまたは差動モード）による制限事項に注意を払う必要があります。

最大入力電圧

最大入力電圧とは、プローブ内部回路が損傷することなく耐え得る、グランドからの最大入力電圧をいいます。



注意：プローブが損傷するおそれがありますので、各入力とグランド間には $\pm 25\text{ V (DC + peak AC)}$ 以上の電圧を加えないでください。

コモンモードでの入力制限

コモンモードでは、プローブの入力回路が飽和することなく入力できる、大地グランドに対する最大入力電圧があります。詳細については、26ページを参照してください。

差動モードでの入力制限

差動モードでは、(+)、(-) 入力コネクタ間の信号が歪むことなく入力できる最大入力電圧があります。詳細については、26ページを参照してください。

減衰比の設定

P6246型/P6247型では、 $\div 1$ または $\div 10$ の減衰比が選択できます。 $\div 1$ では、低振幅信号の測定において S/N 比が高くなります。 $\div 10$ では、差動モードにおけるダイナミック・レンジが10倍になります。

DC Reject (DC除去)

DC REJECT をオンすると、プローブの出力から DC 成分を除去することができます。スペクトラム・アナライザなど、DC 成分を入力できない機器に接続する場合、あるいは大きなオフセット電圧に重畳した微小振幅信号を測定する場合などで使用します。

DC 除去機能は、プローブ内部でオフセット電圧を発生させることにより、信号に含まれる DC 成分をキャンセルします。コンデンサ・カップリングによる方法のように CMRR (同相除去比) を低下させることはありません。

コンデンサなどを經由しないで直接入力回路に入力信号が導かれますので、コモンモードおよび差動モードにおいて DC 成分のダイナミック・レンジに影響はなく、また外部でのオフセット調整の必要もありません。

プローブ・グランド

差動測定は、フローティング測定とは異なります。差動プローブでは、(+)入力、(-)入力のほかにグランド（コモン）入力も装備しています（図 2、3を参照）。



注意：被測定回路を損傷するおそれがありますので、グランド（コモン）入力には、被測定回路のグランド基準ポイントのみに接続してください。

差動測定では、グランド（コモン）を接続する必要はありません。

アプリケーションによっては、正確な測定のために、グランドを必要とする場合もあります。バッテリー駆動機器のように、完全に大地から絶縁されているような回路では、測定基準のためのグランド（コモン）接続が必要になります。ただし、一般の測定では、差動インピーダンスに比べてグランドからのコモンモード・インピーダンスの方が大きいので、グランド・リードを接続することは、高周波領域での測定改善にはつながりません。

標準で付属している 6 インチ・グランド・リードの他にも、それぞれのアプリケーションに適したグランド・リードが付属しています。18 ページの図 2 ではショート・グランド・コンタクト、20 ページの図 4 ではスプリング・グランド・ピンの使用例を示します。

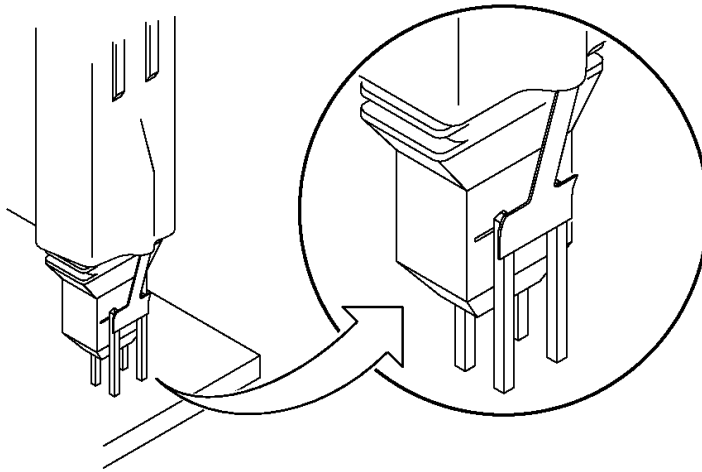


図 2: ショート・グランド・コンタクトの使用例

入力インピーダンスとプローブ負荷

被測定回路にプローブを接続すると、被測定回路に対してあらたにプローブ負荷（抵抗、容量およびインダクタンス）を加えることになります。P6246型/P6247型 差動プローブの入力部には、 $100\text{ k}\Omega$ 、 1 pF の入力インピーダンスがあります（図 3 を参照）。

入力信号のインピーダンスが小さかったり、周波数が低い場合は、この $100\text{ k}\Omega$ というインピーダンスは被測定回路に対しては重い負荷にはなりません。信号インピーダンスが大きくなったり、周波数が高い場合は、プローブのインピーダンスの影響を考慮する必要があります。

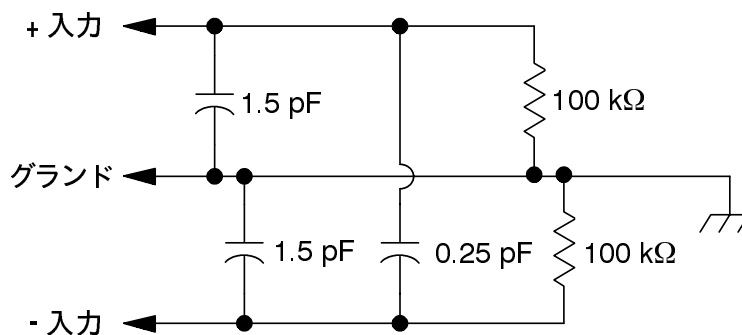


図 3: プローブ入力部の等価回路

プローブ入力部での信号源のインピーダンスが大きくなると信号源に与える負荷効果が大きくなり、信号振幅は小さくなります。

また信号の周波数が高くなると、プローブの入力インピーダンスは小さくなります。信号源に比べてプローブのインピーダンスが小さい場合は、被測定回路に対するプローブ負荷は重くなり、信号振幅の測定が小さくなります。周波数と入力インピーダンスの関係については、30 ページの図 9 を参照してください。

CMRR（同相除去比）

P6246型/P6247型には CMRR という仕様があり、2つの入力に共通の信号を除去する能力を示します。CMRR は、コモンモード利得に対する差動利得の比で表されます。この比が大きいほど、コモンモードでの信号を除去する能力が優れています。

入力信号の周波数が高くなると、CMRR の値は小さくなります。22 ページの図 8 に、周波数に対する CMRR の値を示します。

CMRRを改善するための測定テクニック

図 4および図 5 に示すアクセサリを使用して、プローブ・ヘッドと信号源までの距離を短くすることにより、CMRR を改善することができます。

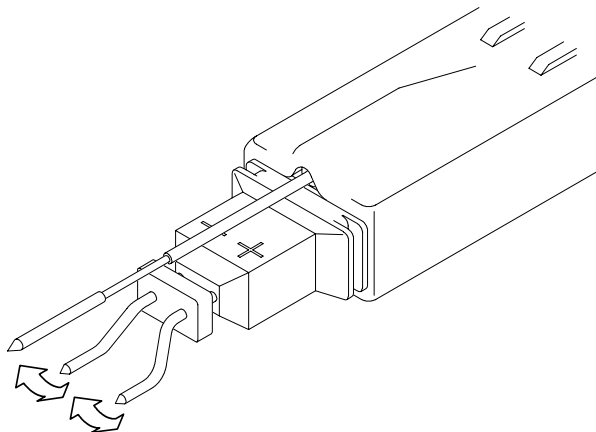


図 4: CMRRを改善するためのプローブ・アクセサリ使用例

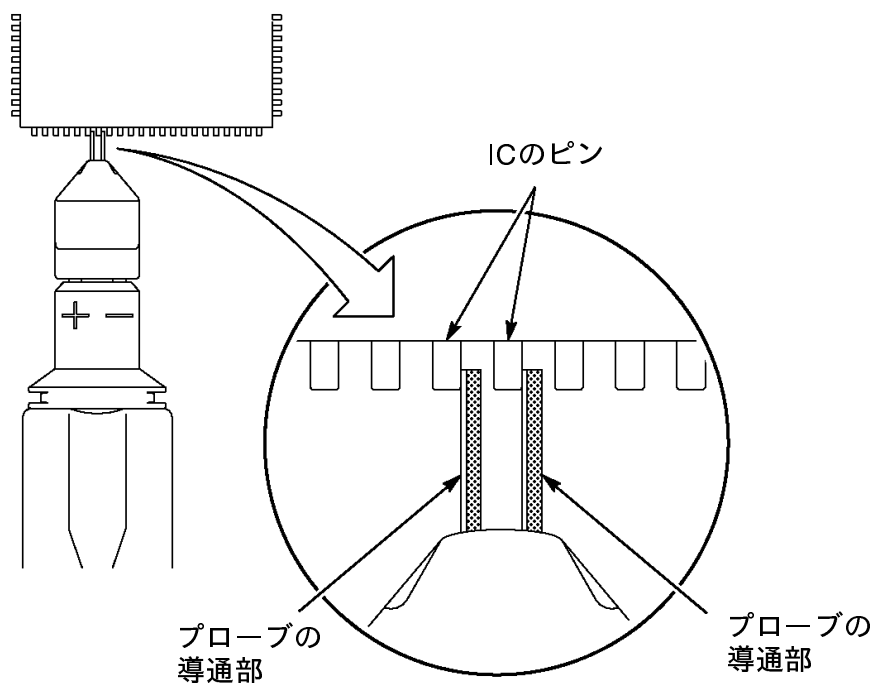


図 5: ツインフット・アダプタの使用例

詳細説明

この章では、差動測定の詳細および精度良く測定するための方法について説明します。

シングル・エンド測定の問題点

次のような場合に、シングル・エンド測定では不都合が生じます。

- 信号の基準点が大地グラウンドにない場合
- グラウンド・リードを接続したり、外した場合に信号が大きく変化する場合
- 信号基準点として大地グラウンドに接続すると、回路が損傷あるいは正しく動作しない場合

差動測定

差動プローブ、差動増幅器およびアイソレータを使用すると、シングル・エンド測定による問題を避けることができます。

差動増幅器（図 6）は、差動測定のための基本回路です。理想的差動増幅回路では、2つの入力間に共通の電圧を除去し、差分の電圧のみを増幅します。2つの入力間に共通の電圧を「コモンモード電圧」（ V_{CM} ）、差分の電圧を「差動電圧」（ V_{DM} ）と呼びます。

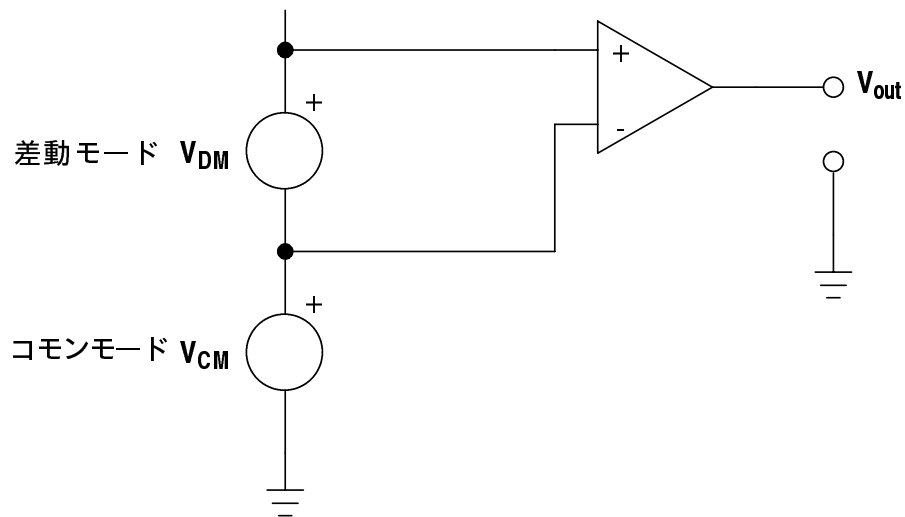


図 6: 差動増幅器のブロック図

CMRR（同相除去比）

現実には、すべてのコモンモード信号を除去することはできません。コモンモード信号を除去する能力は、CMRR（Common-Mode Rejection Ratio：同相除去比）で表します。CMRRは、差動モード利得（ A_{DM} ）とコモンモード利得（ A_{CM} ）の比で求めます。

$$CMRR = \frac{A_{DM}}{A_{CM}} \quad dB = 20 \log \frac{V_{DM}}{V_{CM}}$$

一般に、CMRRはDCで最良値をとり、周波数が高くなるにつれて低下します。

CMRR誤差の確認

29 ページの図 8 に、P6246型/P6247型の CMRR 特性を示します。この図では、コモンモードでの入力信号として正弦波を仮定しています。

コモンモード信号が正弦波でない場合の CMRR エラーによる振幅を確認するには、2つの入力を同一の測定ポイントに接続します。オシロスコープには、除去し切れないコモンモード成分のみが表示されます。この方法では正確な測定はできませんが、コモンモード・エラー信号の振幅が許容できるものか判断できます。

CMRRの入カインピーダンス効果

被測定回路のインピーダンスに比べてプローブの入カインピーダンスが低くなると、CMRR は低下します。29 ページの図 8 を参照してください。2つの入力を接続する信号のインピーダンスが著しく異なる場合も、CMRR は低下します。

プローブ・リードの延長

場合によっては、プローブ・リードまたはプローブ・アクセサリを使用してリードを延長して測定することもあります。このような場合は、最良の CMRR が得られるように、極力リードを短くするか、リードを図 7 のようにツイストさせます。

リードをツイストすることによりキャパシタンスが発生し、高周波領域での性能は低下します。リードを延長して測定する場合には注意が必要です。



注意：入力コネクタの損傷の原因になりますので、0.025 インチ角以上のピンは差し込まないでください。

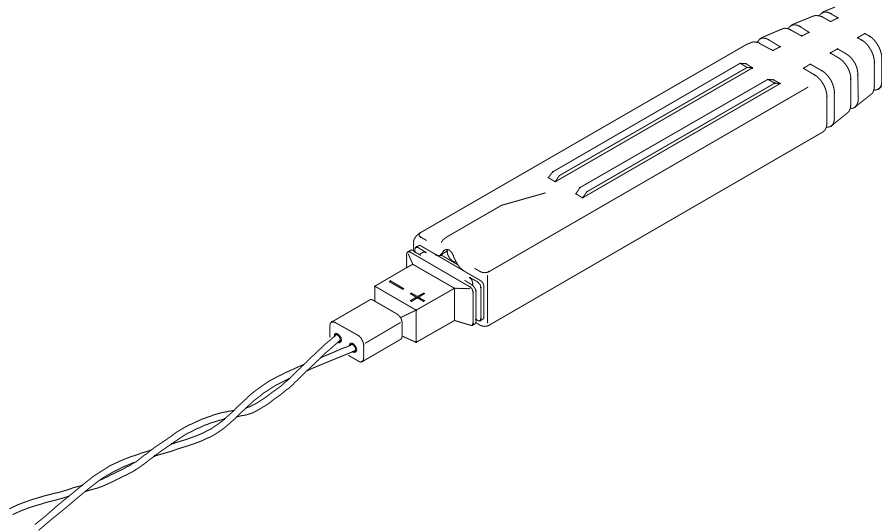


図 7: 入力リードのツイスト

グラウンド・リードの延長

グラウンド・リードの延長も、少なからず測定に影響を与えます。グラウンド・リードのインダクタンスにより波形にリングングを生じさせることがあります。

出力ケーブルの延長

当社 1103型 プローブ電源を使用すると、プローブからの出力信号を、ケーブルを延長して他の測定器に接続することができます。また、オシロスコープから遠い場所にある測定器に接続できるようになります。

プローブを終端する

プローブは、測定機器の入力部において 50Ω で終端する必要があります。1103型 プローブ電源で差動プローブを使用する場合、測定機器の入力インピーダンスを 50Ω に設定する必要があります。測定機器の入力インピーダンスが 50Ω に設定できない場合は、測定機器の入力部に 50Ω ターミネーション（当社部品番号：011-0049-01）を接続します。

出力ケーブル延長の影響

信号の周波数が高くなると電流は導体の表面に集中し、表皮効果 (Skin Effect) によりインピーダンスが増加します。P6246型/P6247型には、この表皮損を補正する回路が備わっています。

この補正回路により出力ケーブルの周波数特性をフラットにしていますが、プローブ・ケーブルを延長すると、表皮損失を補正できません。また、ケーブル長を短くすることで、信号振幅の減衰を抑えることができます。

信号振幅を精度良く測定する必要がある場合は、既知の信号源とパワー・メータで出力ケーブルによる周波数特性を測定し、実際の測定結果に反映させる必要があります。

他の測定機器とプローブとの接続

P6246型/P6247型は、オシロスコープの他に、スペクトラム・アナライザ、タイム・インターバル・アナライザ、ネットワーク・アナライザなどにも接続することができます。

これらの機器と接続して測定する場合は、プローブと測定機器の組み合わせで適正化しておく必要があります。

仕 様

表 3～表 6 の仕様は、P6246型または P6247型と当社 TDS784A型デジタル・オシロスコープの組み合わせにおいて適用されます。それ以外のオシロスコープでは、入力インピーダンスを 50 Ω に設定でき、かつ、周波数帯域が 1 GHz であることが必要です。また、この仕様は、オシロスコープとプローブは 20 分以上ウォームアップし、表 3 の環境仕様で使用する場合に適用されます。仕様は、「動作特性」、「代表特性」および「一般特性」に分かれています。

動作特性

動作特性では、指定された条件下での保証値を示します。✓ のマークは、Service Information（部品番号：070-9899-xx 英文）においてチェック手順が説明されている項目であることを示します。

表 3: 動作特性 - 電気特性

✓ DC 減衰確度	± 2%（以下の入力電圧において） ± 750 mV (÷ 1) および ± 7.5 V (÷ 10) ± 5%（以下の入力電圧において） ± 850 mV (÷ 1) および ± 8.5 V (÷ 10)
最大非破壊入力電圧	同一チャンネルの入力 - コモン間において ± 25 V (DC+peak AC)
✓ 差動入力範囲（DCカップリング）	± 8.5 V（÷10 の減衰比） ± 850 mV（÷1 の減衰比）
コモンモード入力範囲 （DC カップリング）	± 7 V
✓ 出力オフセット電圧	± 10 mV（+20°C～+30°C） ± 50 mV（0°C～+60°C）
立ち上がり時間 （プローブのみ）	875 ps 以下（P6246型） 350 ps 以下（P6247型）

表 3: 動作特性 - 電気特性 (続き)

✓ CMRR (同相除去比)	45 dB (1 MHz、÷10 の減衰比) 25 dB (100 MHz、÷10 の減衰比) 20 dB (500 MHz、÷10 の減衰比) 18 dB (1 GHz、÷10 の減衰比) 60 dB (1 MHz、÷1 の減衰比) 38 dB (100 MHz、÷1 の減衰比) 35 dB (500 MHz、÷1 の減衰比) 30 dB (1 GHz、÷1 の減衰比)
✓ 周波数帯域 (プローブのみ)	DC~400 MHz (-3dB) (P6246型) DC~1 GHz (-3dB) (P6247型)
温 度	動作時 : 0 °C ~ + 50 °C 0 °C ~ + 60 °C ¹ (プローブ・ヘッドのみ) 保存時 : - 55 °C ~ + 75 °C (結露のないこと) ¹
湿 度	動作時 : + 30 °C ~ + 50 °C において 相対湿度 0 ~ 90 % 保存時 : + 30 °C ~ + 60 °C において 相対湿度 0 ~ 90 %

¹ 「警告」の欄を参照。



警告 : 周囲温度が高い環境下では、やけどの危険があります。動作時の周囲温度が + 50 °C 以上または保存時の周囲温度が + 70 °C 以上の場合、素手でプローブに触れないでください。

代表特性

表 4、表 5では、代表値を示します。ここで示されている値は保証値ではありません。

表 4: 代表特性 - 電気特性

差動入力抵抗 (DCカップリング)	200 k Ω
入力抵抗 (DCカップリング)	100 k Ω \pm 2 %
差動入力容量	1 MHz において 1 pF 以下
コモンモード入力容量	1 MHz において 2 pF 以下
高調波歪み	100 MHz、495 mV _{RMS} (または 1.4 V _{P-P}) 出力で測定して 1.5 % 以下
差動オフセット・レンジ	\pm 700 mV (\div 1 の減衰比) \pm 7 V (\div 10 の減衰比)
CMRR	図 8 を参照
ランダム・ノイズ	100 MHz において 50 nV/ $\sqrt{\text{Hz}}$ 以下
入力インピーダンス	図 9 を参照
周波数帯域制限	200 MHz で -3 dB
DC除去帯域	4 Hz で -3 dB (\div 10 の減衰比) 0.4 Hz で -3 dB (\div 1 の減衰比)
通過帯域内リップル	P6246型 : 3 dB 帯域で \pm 0.25 dB (ノミナル・スロープからの変移) P6247型 : 850 MHz で \pm 0.25 dB (ノミナル・スロープからの変移)

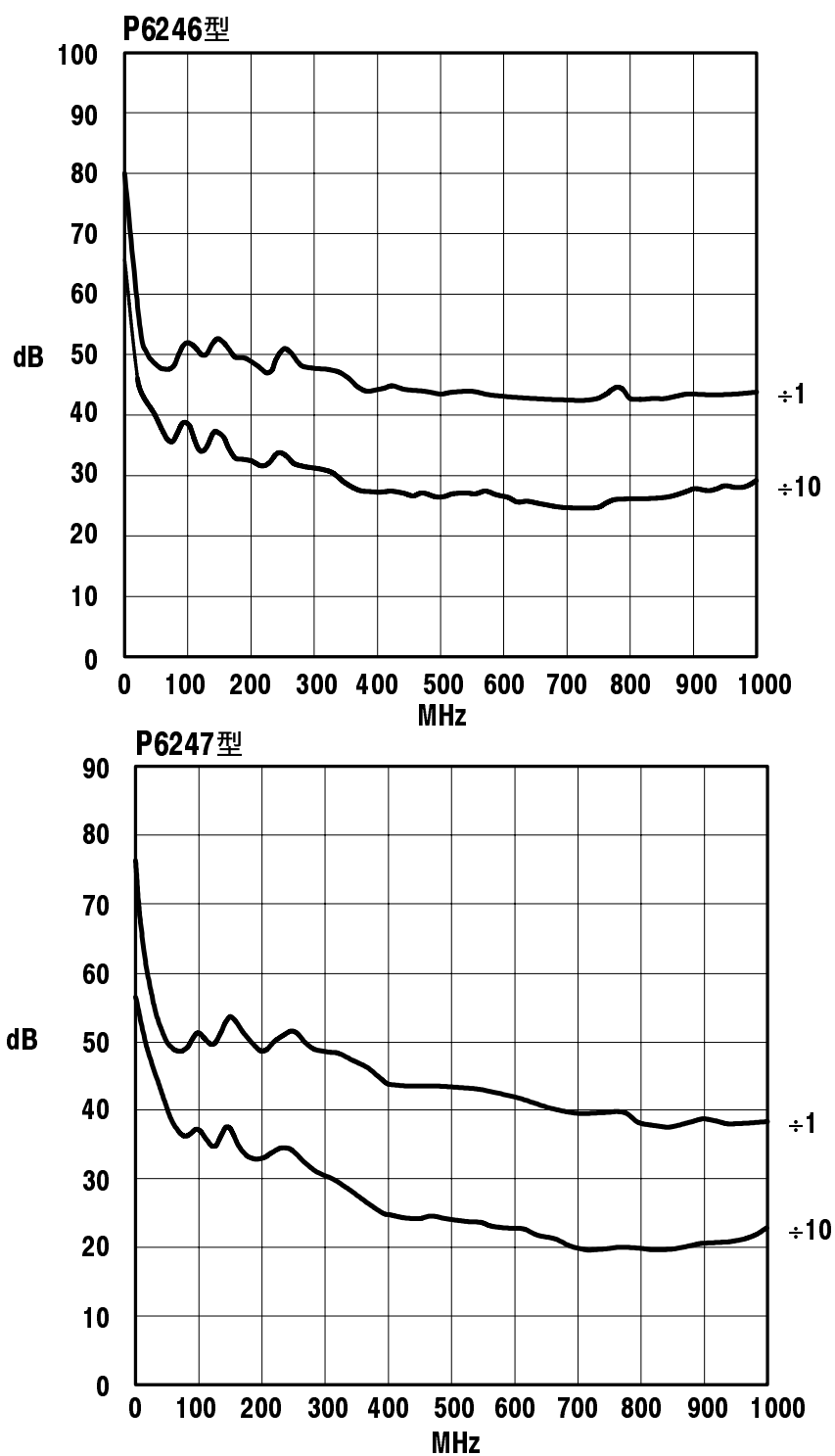


図 8: CMRR代表値

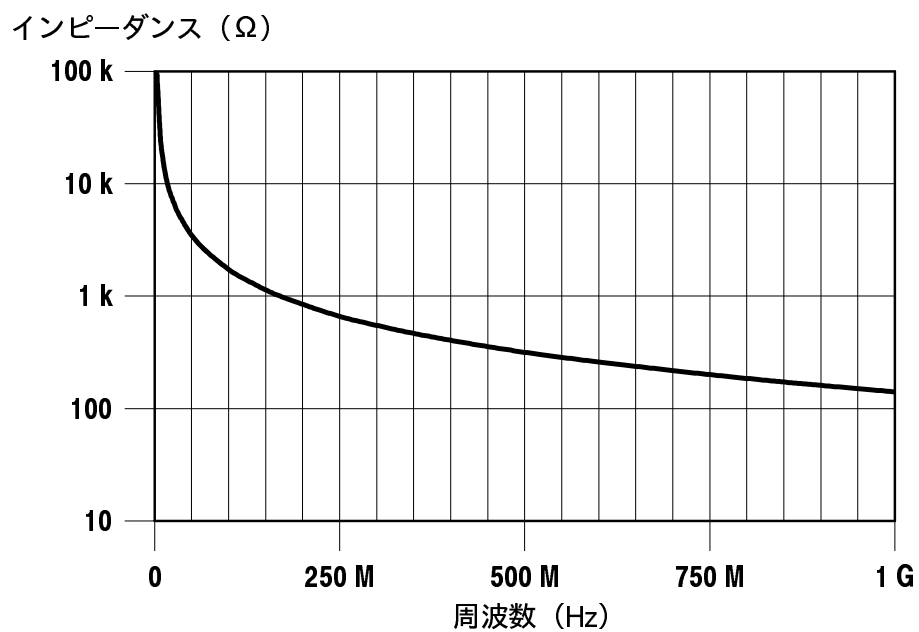


図 9: 周波数 - 入力インピーダンス特性

表 5: 代表特性 - 機械特性

寸法 (入力コネクタ部)	0.63 mm (0.025 in) 角ピン、 2.54 mm (0.100 in) ピッチ
寸法 (プローブ・ボックス)	107 mm × 41 mm × 26 mm
寸法 (プローブ・ヘッド)	78 mm × 12 mm × 9.3 mm
出力ケーブル長	1.2 m
質量 (アクセサリを除く)	160 g

一般特性

表 6 では、一般的な特性について説明します。

表 6: 一般特性 - 電気特性

入力構成	差動 (2 入力 (+), (-))、 ケース・グラウンド
出力カップリング	DC または DC 除去
減衰比	÷1 または ÷10
終端	50 Ω

保証規定

保証期間 (納入後 1 年間) 内に、通常の取り扱いによって生じた故障は無料で修理いたします。

1. 取扱説明書、本体ラベルなどの注意書きに従った正常な使用状況で保証期間内に故障した場合には、表記の取扱店または当社に修理をご依頼下されば無料で修理いたします。なお、この保証の対象は製品本体に限られます。
2. 転居、譲り受け、ご贈答品などの場合で表記の取扱店に修理をご依頼できない場合には、当社にお問い合わせください。
3. 保証期間内でも次の事項は有料となります。
 - 使用上の誤り、他の機器から受けた障害、当社および当社指定の技術員以外による修理などから生じた故障および損傷の修理
 - 当社指定外の電源(電圧・周波数)使用または外部電源の異常による故障および損傷の修理
 - 移動時の落下などによる故障および損傷の修理
 - 火災、地震、風水害、その他の天変地異、公害、塩害、異常電圧などによる故障および損傷の修理
 - 消耗品、付属品などの消耗による交換
 - 出張修理(ただし故障した製品の配送料金は、当社負担)
4. 本製品の故障またはその使用によって生じた直接または間接の損害について、当社はその責任を負いません。
5. この規定は、日本国内においてのみ有効です。
(This warranty is valid only in Japan.)
 - この保証規定は本書に明示された条件により無料修理をお約束するもので、これによりお客様の法律上の権利を制限するものではありません。
 - ソフトウェアは、本保証の対象外です。
 - 保証期間経過後の修理は有料となります。詳しくは、取扱店または当社までお問い合わせください。

お問い合わせ

製品についてのご相談・ご質問につきましては、下記までお問い合わせください。

お客様コールセンター

TEL 03-3448-3010  **FAX 0120-046-011**

東京都品川区北品川 5-9-31 〒141-0001

電話受付時間／9:00～12:00 13:00～19:00 月曜～金曜 (休祝日を除く)

E-Mail: ccc.jp@tektronix.com

URL: <http://www.tektronix.co.jp>

修理・校正につきましては、お買い求めの販売店または下記サービス受付センターまでお問い合わせください。

(ご連絡の際に、型名、故障状況等を簡単にお知らせください)

サービス受付センター

 **TEL 0120-741-046** **FAX 0550-89-8268**

静岡県御殿場市神場 143-1 〒412-0047

電話受付時間／9:00～12:00 13:00～19:00 月曜～金曜 (休祝日を除く)

사용 설명서

Tektronix

P6246 400 MHz & P6247 1 GHz

차동 프로브

070-9898-04

Copyright © Tektronix, Inc. All rights reserved.

Tektronix 제품에는 미국과 해외에서 취득했거나 출원 중인 특허에 의해 보호됩니다. 이 설명서의 내용은 이전에 발행된 모든 내용보다 우선하며 명세와 가격은 예고없이 변경될 수 있습니다.

미국에서 인쇄.

Tektronix, Inc., P.O.Box 1000, Wilsonville, OR 97070-1000

TEKTRONIX, TEK, TEKPROBE는 Tektronix, Inc.의 등록 상표입니다.

보증서

Tektronix은 당사가 제조하고 판매하는 제품을 선적한 날로부터 1년간 품질을 보증합니다. 품질 보증 기간 동안 제품에 결함이 생기면 Tektronix은 부품비와 인건비 부담없이 무료로 수리하거나 교환해 드립니다.

품질 보증 기간 내에 서비스를 받으려면 반드시 보증 기간 만료 전에 Tektronix에 통지해야 합니다. 고객은 포장비와 수송비를 부담하여 Tektronix가 지정한 서비스 센터로 보내야 하며 수송비는 고객이 선불해야 합니다. Tektronix 서비스 센터가 있는 나라에서는 Tektronix가 반송료를 부담하지만 다른 나라에 거주할 경우에는 모든 수송비, 관세, 세금 및 기타 모든 비용을 고객이 지불해야 합니다.

사용자의 부주의한 사용이나 관리로 인한 고장은 보증 대상에서 제외됩니다. 또 다음과 같은 경우 품질 보증 서비스를 제공할 책임이 없습니다. a) Tektronix 직원이 아닌 사람이 설치, 수리, 정비하여 발생한 고장, b) 부적절한 사용이나 호환되지 않는 장비와 같이 사용하여 발생한 고장, c) Tektronix가 지정하지 않은 전원 공급 장치와 같이 사용하여 발생하는 고장이나 작동 불량, d) 개조하거나 다른 제품과 결합하여 결과적으로 수리가 더욱 어렵게 되었을 경우.

Tektronix의 품질 보증은 그 밖의 다른 모든 보증을 대신합니다. Tektronix와 판매업체들은 특정 용도나 상업성과 관련된 품질 보증에 대해서는 책임지지 않습니다. Tektronix는 품질 보증과 관련한 제품 수리 및 교환에 대해서만 책임집니다. Tektronix와 판매업체들은 간접적, 우발적, 직접적, 또는 특수한 피해에 대해서는 책임지지 않으며 비록 사전에 그러한 위험성에 대해 통지를 받았다고 하더라도 법적 책임이 없습니다.

목차

안전 유의 사항	3
서문	5
관련 설명서	5
Tektronix 문의처	6
시작하기	7
기능과 액세스리	7
설치	14
TekProbe II 인터페이스 장착 기기(Tektronix TDS 400, 500, 600, 700 시리즈 오실로스코프)	14
TekProbe II 인터페이스가 장착되지 않은 기기	14
기본 사용법	15
입력 전압 한계값	15
최대 입력 전압	15
동상 모드 신호범위	15
차동 모드 신호범위	16
감쇠율 설정	16
DC 제거	16
프로브 접지	17
입력 임피던스와 프로브 부하	18
동상 제거	19
CMRR을 극대화하는 탐침 방법	20
참고 사항	21
일단 측정	21
차동 측정	21
동상 제거비	22
CMRR 오류 검출	22
CMRR에 대한 입력 임피던스의 효과	23
입력 리드선 연장	23
접지 리드선 연장 효과	24
프로브 출력 케이블 연장	24
프로브 중단	24
출력 케이블 연장 효과	25
다른 기기에 프로브 사용	25

규격	26
보증 특성	26
일반 특성	28
공칭 특성	31



안전 유의 사항

아래 유의 사항을 따르면 신체적인 부상이나 제품 손상을 막고, 이 제품과 함께 사용하는 다른 제품의 파손을 예방할 수 있다.

화재나 안전 사고 방지

반드시 접지시켜야 한다. 전선의 접지 도체를 사용하여 제품을 접지시킨다. 감전을 방지하려면 접지 도체를 접지에 연결해야 한다. 입력 케이블나 출력 단자를 연결하기 전에 제품 접지 여부를 확인한다.

모든 단자 정격을 준수한다. 화재나 감전 위험을 피하려면, 제품의 모든 정격과 표시를 준수한다. 사용 설명서를 읽고 정격 관련 사항을 숙지한 다음 전원과 단자를 연결한다.

공용 단자는 물론 모든 단자에 최대 정격을 초과하는 전위를 사용해서는 안된다.

열린 상태에서는 작동시키지 않는다. 커버나 패널을 열어 놓은 상태에서 사용하지 않는다.

안전 상태가 의심스러울 때는 사용하지 않는다. 제품에 이상이 있다고 생각되면 전문 서비스 기술자에게 검사받는다.

습기가 많은 곳에서는 사용하지 않는다.

폭발성 물질이 있는 곳에서 사용하지 않는다.

제품 표면을 항상 깨끗하고 건조하게 관리한다.

안전 용어와 기호



경고 신체적인 부상이나 생명의 위험을 초래할 수 있는 상황과 행동을 표시한다.



주의 제품이나 그 밖의 재산에 피해를 줄 수 있는 상황과 행동을 표시한다.

제품에서 사용된 용어

DANGER는 즉각적인 상해 위험을 나타낸다.

WARNING은 상해 위험 상태를 나타낸다.

CAUTION은 제품 및 재산에 대한 위험을 나타낸다.

제품에 사용된 기호



경고
고압



보호 접지
단자



주의
설명서 참고



이중
절연



서문

이 설명서에서는 P6246과 P6247 차동 프로브 사용법을 설명한다.

관련 설명서

성능 확인 절차, 조정 절차, 교환 부품 목록, 기타 서비스 안내에 대해서는 *P6246 및 P6246 서비스 설명서(070-9899-XX)*를 참고한다.

Tektronix 문의처

- 제품 지원 Tektronix 측정 제품 사용법에 대해서는 다음으로 문의한다.
(북미 지역에서는 수신자 요금 부담)
1-800-TEK-WIDE(1-800-835-9433 교환 2400)
6:00 a.m. - 5:00 p.m. 태평양 시간
- 또는 E-mail: tm_app_supp@tek.com
- 미국 이외의 지역에서 제품 지원을 받으려면 해당 국가의
Tektronix 대리점에 문의한다.
- 서비스 지원 가까운 Tektronix 대리점에 문의하거나 당사의 인터넷 홈페이지에 접속하여 세계 각지의 서비스 지정점을 확인한다.
- <http://www.tek.com>
- 기타 문의 북미 지역 1-800-TEK-WIDE(1-800-835-9433)로 문의
- 주소 Tektronix, Inc.
P.O.Box 1000
Wilsonville, OR 97070-1000

시작하기

P6246과 P6247은 TekProbe II 인터페이스를 사용하는 고대역폭 차동 프로브이다. P6246의 대역폭은 400MHz이며, P6247의 대역폭은 1GHz이다. 두 가지 모두 회로 부하가 낮고 동상 제거비가 높으며 다양한 용도로 사용되는 액세서리와 함께 제공된다.

TekProbe II 인터페이스는 Tektronix TDS 시리즈 오실로스코프에 사용하는 표준이다. Tektronix 1103 TekProbe 전원 공급기를 TekProbe 인터페이스가 없는 기기에 사용할 수 있다(11쪽 참고).

기능과 액세서리

표 1은 P6246과 P6247 차동 프로브의 기능과 표준 액세서리의 목록이다.

표 1. P6246과 P6247의 기능과 표준 액세서리

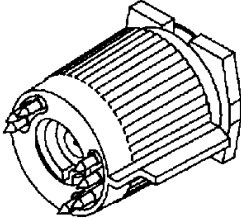
기능/액세서리	설명
	<p>TekProbe II 인터페이스 TekProbe II 인터페이스는 프로브에 전원을 공급하며, 정확한 디스플레이 배율을 선택하고 오실로스코프 입력 케이블에 대해 50W 종단을 자동으로 설정한다.</p> <p>TekProbe II 인터페이스가 없는 오실로스코프를 사용할 때는 선택 품목인 1103 전원 공급기를 사용한다(11쪽 참고).</p>
<p>BANDWIDTH FULL <input type="checkbox"/> 200 MHz</p>	<p>대역폭 한계값 대역폭 한계값 스위치로 프로브의 지정 대역폭을 선택하거나 대역폭을 200MHz로 제한한다.</p>
<p>ATTENUATION $\div 10$ <input type="checkbox"/> $\div 1$</p>	<p>프로브 감쇠 감쇠 스위치로 나누기 1($\div 1$)이나 나누기 10($\div 10$)을 선택한다.</p>

표 1. P6246과 P6247의 기능과 표준 액세서리(계속)


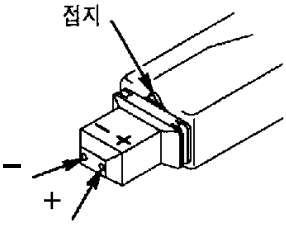
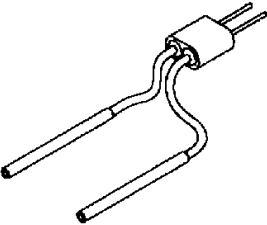
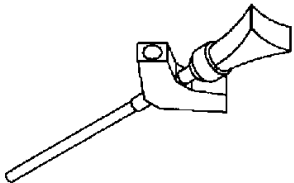
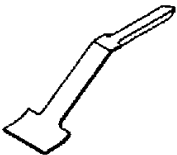
기능/액세서리	설명
<p>DC REJECT ON  OFF</p>	<p>DC 제거 스위치를 ON 위치에 놓으면 AC 요소를 설정값 ÷ 10 에서는 4Hz로 낮추고 설정값 ÷ 1에서는 0.4Hz로 낮추어 통과시킨다.</p> <p>스위치를 OFF 위치에 놓으면 DC와 AC 요소 모두를 통과시킨다.</p>
	<p>입력 연결 단자 프로브 헤드의 (+), (-), 접지 단자에는 표준 액세서리와 선택 품목 액세서리를 연결할 수 있다. 프로브 헤드를 중심 표준 간격이 0.100인치인 0.25 인치의 사각핀 쌍에 직접 꽂는다.</p> <p>주의 0.25인치 사각핀보다 큰 물체를 입력 커넥터에 넣으면 입력 커넥터가 손상된다.</p>
	<p>Y자형 리드 어댑터 Y 자형 리드 어댑터는 프로브에 직접 꽂을 수 있다. 리드선 끝의 소켓 부분을 프로브 팁과 액세서리, 0.025인치 핀에 연결한다.</p>
	<p>집적 회로(IC) 그레버 그레버를 사용하여 이중선 패키지(DIP)의 리드선을 탐침한다.</p>
	<p>단락 방지 접지 단자 단락 방지 접지선을 사용하여 접지점에서 가까이 있는 소형 평면 요소들을 탐침한다. 접지선은 사각핀에 쉽게 연결할 수 있고 프로브는 0.025 인치 사각핀에 직접 꽂을 수 있다(0.100인치 간격). 17쪽 그림 2를 참고한다.</p>

표 1. P6246과 P6247의 기능과 표준 액세서리(계속)

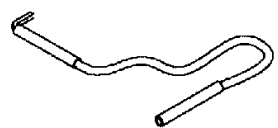
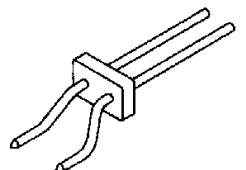
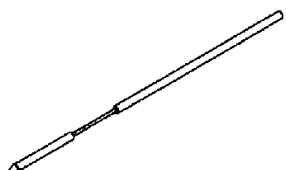
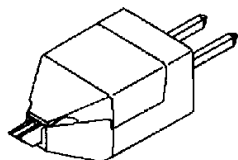
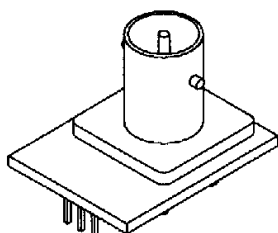
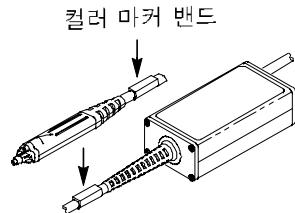
기능/액세서리	설명
	<p>접지 리드선 6인치 접지 리드선을 사용하여 프로브 접지 단자를 회로에 연결한다. 리드선 끝의 소켓 부분을 프로브 팁과 액세서리 또는 0.025인치 핀에 연결한다.</p>
	<p>트윈 팁 어댑터 가까이 있는 두 개의 연결 단자를 탐침하는 두 개의 조절식 팁이다.</p>
	<p>스프링식 접지 핀 접지점에서 가까이 있는 요소들을 탐침할 때 사용한다.</p>
	<p>트윈 풋 어댑터 트윈 풋 어댑터를 사용하여 표면에 장착된 집적 회로에서 가까이 있는 두 개의 선을 탐침한다. 플렉시블 핑거(Flexible finger)가 있어서 다양한 리드 간격에도 사용할 수 있다. 19쪽의 그림 5를 참고한다.</p>
	<p>프로브--팁-BNC 어댑터 프로브와 BNC 커넥터를 연결한다.</p>
<p>컬러 마커 밴드</p> 	<p>컬러 마커 밴드 일치되는 컬러 마커 밴드 쌍을 케이블에 각 프로브의 머리와 보정 상자에 담니다. 마커 밴드로 어느 프로브가 어느 장비 채널에 연결되어 있는지 쉽게 확인할 수 있습니다.</p> <p>교체 부품 번호: 016-1315-00 (패키지 당 10 개)</p>

표 1. P6246과 P6247의 기능과 표준 액세서리(계속)

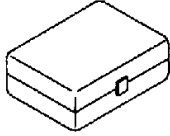
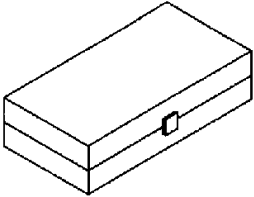
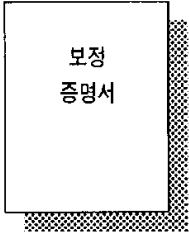
기능/액세서리	설명
	<p>프로브 팁 액세서리 키트에는 다음 액세서리들이 있다.</p> <p>10</p> <ul style="list-style-type: none"> 1 γ-리드 어댑터 3 IC 그래버 2 단락 방지 접지 단자 1 접지 리드선 2 트윈 팁 어댑터 2 스프링식 접지 핀 2 트윈 풋 어댑터 1 프로브-팁-BNC 어댑터 <p>교환 부품 번호: 020-2203-XX</p>
	<p>보관함 프로브와 선택 품목 액세서리를 보관한다.</p> <p>교환 부품 번호 016-1879-XX</p>
	<p>보증 증명서 보증 증명서가 함께 공급된다.</p>

표 1. P6246과 P6247의 기능과 표준 액세서리(계속)

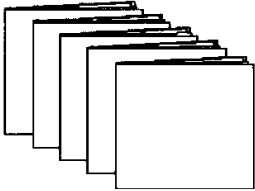

기능/액세서리	설명
	<p>사용 설명서 세트. (이 책 포함) P6246과 P6247 차동 프로브 작동에 관한 영어, 불어, 독어, 일어, 및 한국어 설명서를 제공한다.</p> <p>교환 부품 번호: 070-9898-XX</p>
	<p>서비스 정보. 교환 부품의 특성 증명 절차 목록을 포함한다(영어만 해당).</p> <p>교환 부품 번호: 070-9899-XX</p>

표 2는 P6246과 P6247 차동 프로브에 사용할 수 있는 선택 품목 액세서리 목록이다.

표 2. 선택 품목 액세서리와 옵션

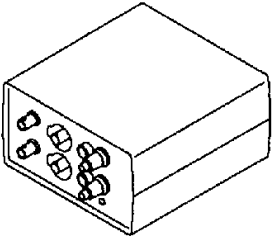
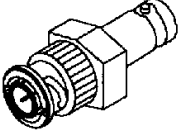
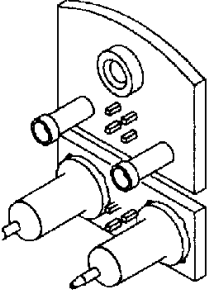
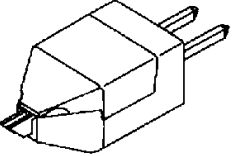
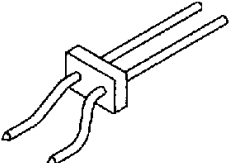
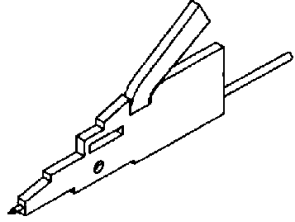
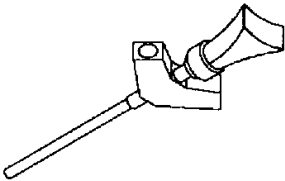
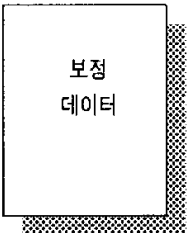
액세서리/옵션	설명
	<p>1103 전원 공급기 TekProbe II 인터페이스가 없는 기기의 경우 1103 전원 공급기를 구입하여 사용한다.</p> <p>표준. 북미와 일본</p> <p>옵션 A1. 유럽</p> <p>옵션 A2. UK</p> <p>옵션 A3. 호주</p> <p>옵션 A5. 스위스</p>
	<p>50W 종단기 오실로스코프 입력 케이블의 설정값이 50W가 아닌 경우 1103 전원 공급기의 출력을 50W로 종단한다. 주문 번호는 011-0049-0이다.</p> <p>50W BNC 케이블 1103 출력 단자에 연결한다. 부품 번호: 012-0076-00</p>
	<p>P6046/HP114A 프로브 팁 어댑터 프로브를 Tektronix P6046이나 휴렛 팩커드의 HP1141A 차동 프로브용으로 설계된 테스트 장치에 연결한다. 부품 번호: 013-0304-00</p>
	<p>교환용 트윈 퓌트 어댑터 부품 번호: 013-0306-04(4개로 이루어진 패키지)</p>
	<p>교환용 트윈 팁 어댑터 부품 번호: 013-0305-04(4개로 이루어진 패키지)</p>

표 2. 선택 품목 액세서리와 옵션(계속)

액세서리/옵션	설명
	<p>교환용 마이크로 그레버</p> <p>SMK4를 주문한다. (4개로 이루어진 패키지)</p>
	<p>교환용 IC 그레버</p> <p>SMG50을 주문한다. (20개로 이루어진 패키지)</p>
	<p>보정 데이터(옵션 95) 구매할 때 주문해야 하고 보장하는 동안 측정값이 계속 기록된다.</p>

설치

P6246 또는 P6247 차동 프로브 출력 단자를 연결하기 전에 오실로스코프에 TekProbe II 인터페이스가 있는지 확인한다. 그림 1을 참고한다.

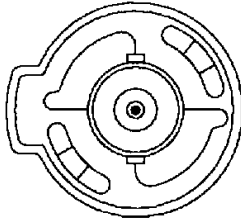


그림 1. TekProbe II 인터페이스 입력 연결 단자

TekProbe II 인터페이스 장착 기기(Tektronix TDS 400, 500, 600, 700 시리즈 오실로스코프)

TekProbe II 인터페이스가 장착된 기기의 경우 프로브를 입력 단자에 연결하면 TekProbe II 인터페이스는 전원을 공급하고, 정확한 디스플레이 배율을 선택하며, 오실로스코프 입력 케이블에 대해 50Ω으로 자동으로 중단된다.

주 TDS 400과 TDS 400A 시리즈 오실로스코프는 P6246과 P6247 프로브의 감쇠율 설정값을 항상 $\div 10$ 으로 해석한다. 사용자가 $\div 1$ 로 감쇠율을 설정해도 측정값이나 배율 인자를 10으로 나눈다.

TekProbe II 인터페이스가 장착되지 않은 기기

TekProbe 인터페이스가 장착되지 않은 기기의 경우, 선택 품목인 1103 전원 공급기를 주문해야 한다(12쪽 참고). 1103 전원 공급기는 각각 두 개의 프로브에 전원을 공급할 수 있다. 오실로스코프 입력 케이블도 50Ω으로 중단해야 한다. 프로브 출력 단자 케이블을 연장할 경우 얻는 효과에 대해서는 24쪽을 참고한다.

기본 사용법

이 단원에서는 사용할 때 고려해야 할 사항과 탐침 방법을 설명한다. 차동 측정과 동상 제거비(CMRR)에 대해서는 21쪽을 참고한다.

입력 전압 한계값

P6246과 P6247 차동 프로브는 저전압 회로를 탐침하기 위한 장치이다. 전압을 탐침하기 전에 최대 입력 전압, 동상 모드 신호범위, 차동 모드 신호범위를 고려한다.

최대 입력 전압

최대 입력 전압은 프로브의 입력 회로를 손상시키지 않고 각 입력 케이블이 견딜 수 있는 최대 접지 전압이다.



주의 입력 케이블과 접지 단자 사이에서 $\pm 25V(DC + \text{피크 } AC)$ 이상의 전압을 사용하면 P6246과 P6247 차동 프로브의 입력 케이블이 손상된다.

동상 모드 신호범위

정해진 감쇠율 설정값에 대한 동상 모드 신호범위는 접지와 관련하여 프로브의 입력 회로를 포화 상태로 만들지 않고 각 입력 케이블에 가할 수 있는 최대 전압이다. 동상 모드 신호범위를 초과하는 동상 모드 전압을 사용하면 그 전압이 차동 모드 지정값을 넘지 않아도 출력 파형을 왜곡시킬 수 있다. 규격에 대해서는 26 쪽을 참조한다.

동상 모드 신호가 규격 내에 있는지 확인하려면, 프로브를 $\div 10$ 에 맞추고, 프로브 입력 케이블 중 하나를 접지에 연결하고 다른 프로브 입력 케이블을 차동 신호 출력에 연결한다. 이 절차를 반복하여 다른 차동 신호 출력을 시험한다.

차동 모드 신호 범위

정해진 감쇠율 설정값에 대한 차동 모드 신호 범위는 프로브가 신호를 왜곡하지 않고 수용할 수 있는, (+) 입력 케이블과 (-) 입력 케이블 사이의 최대 전압차이다. 전압 왜곡이 너무 크면 유효한 측정값을 얻을 수 없다. 규격에 대해서는 26 쪽을 참조한다.

감쇠율 설정

차동 프로브의 감쇠율 설정값은 $\div 1$ 과 $\div 10$ 이다. $\div 1$ 로 설정하면 저진폭 신호를 이용하여 신호 대 잡음 동작 특성(signal-to-noise performance)을 최고로 사용할 수 있다. $\div 10$ 으로 설정하면 차동 모드와 동상 모드의 동적 한계값이 계수 10만큼 증가된다.

DC 제거(DC Reject)

DC 제거 모드를 사용하여 프로브 출력에서 DC 요소를 제거한다. 이 기능은 입력 케이블에 DC를 사용할 수 없는 기기와 프로브를 함께 사용할 때나 큰 차동 오프셋 요소에 부과된 소진폭 신호를 측정할 때 유용하다.

DC 제거는 신호의 DC 요소를 취소시키는 내부 오프셋을 만들어낸다. 이런 영위법을 사용하면 CMRR 성능을 약화시키는 입력 연결 커패시터가 필요없고 프로브 텀용 삽입식 플러그가 필요하다.

입력이 항상 직접 연결되므로 DC 제거 모드에서는 DC 요소의 동상 및 차동 모드 동적 범위가 증가하지 않고 외부 오프셋을 조정할 수 없다.

프로브 접지

차동 측정값은 “부동” 측정값과는 다르다. 프로브 헤드의 (+) 입력 케이블과 (-) 입력 케이블 이외에 접지(공통) 입력 케이블이 있다(그림 2와 3 참고).



주의 테스트 중인 회로의 손상을 방지하려면 프로브 접지(공통) 단자를 접지 기준점에만 연결한다.

프로브를 사용하여 접지(공통) 단자의 연결 여부와 상관없이 차동 측정을 할 수 있다.

정확한 측정값을 유지하기 위해 접지 기준점에 연결해야 하는 응용 기기들이 있다. 일반적으로 배터리식 구동 장치와 같이 땅에서 완전히 분리된 회로들을 탐침할 때 접지 기준점에 연결해야 한다. 그러나 대부분의 응용 기기에서 동상 모드 접지 임피던스는 차동 임피던스보다 더 크므로 프로브 접지 리드를 추가해도 측정값의 고주파수 특성은 개선되지 않는다.

6인치 접지 리드 이외에 특정 응용 기기에서 사용할 수 있는 접지 리드 액세서리들이 있다. 18쪽의 그림 2는 단락 방지 접지 단자 사용법을 설명한 것이다. 20쪽의 그림 4는 스프링식 접지 핀을 설명한 것이다.

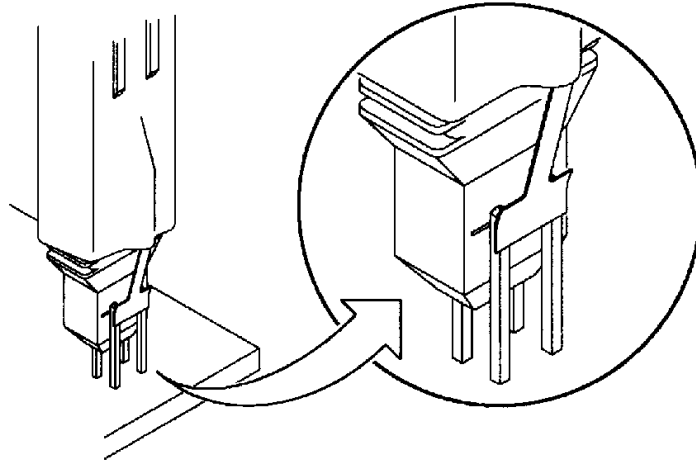


그림 2. 단락 방지 접지 단자 사용법

입력 임피던스와 프로브 부하

프로브 입력 케이블을 회로에 연결하면 저항, 커패시턴스, 인덕턴스가 회로에 새로 입력된다. P6246과 P6247 차동 프로브의 입력 케이블은 $100\text{k}\Omega$ 의 입력 접지 저항과 1 pF 미만의 전력 계수를 갖는다. 그림 3을 참고한다.

소스 임피던스와 주파수가 낮은 신호의 경우 각 입력 단자에서 입력 임피던스가 $100\text{k}\Omega$ 이면 입력 신호 소스 부하를 방지할 수 있다. 소스 임피던스가 크고 신호 주파수가 높을수록 이러한 요소들을 더 많이 고려해야 한다.

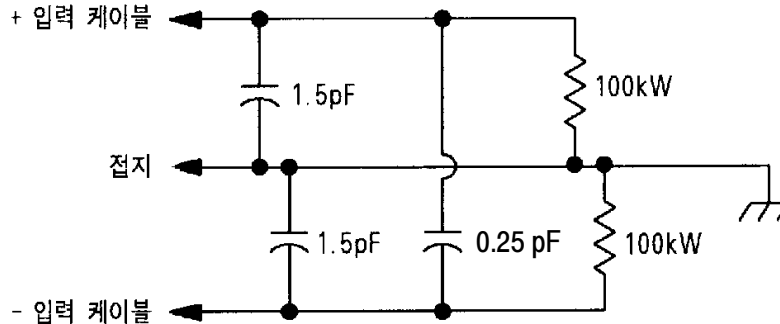


그림 3. 일반적인 프로브 입력 모델

입력 케이블의 신호 소스 임피던스가 증가하면 프로브는 신호 소스를 더 많이 장하하고 신호 진폭을 줄인다.

신호 주파수는 신호 측정에도 영향을 끼친다. 신호 주파수가 높아지면 프로브의 입력 임피던스는 감소한다. 신호 소스의 임피던스에 대한 프로브 임피던스가 낮아질수록, 프로브는 테스트 중인 회로에 더 많이 부하를 주고 신호 진폭을 줄인다. 주파수와 입력 임피던스의 그래프가 30쪽 그림 9에 있다.

동상 제거

동상 제거비(CMRR)는 P6246과 P6247 차동 프로브가 각 입력 케이블에 공통으로 흐르는 신호를 제거하는 능력이다. 좀더 정확히 말해서 CMRR은 동상 이득에 대한 차동 이득의 비율이다. 동상 제거비가 높을수록 동상 모드 신호를 제거하는 능력도 커진다.

입력 주파수가 높아지면 동상 제거비는 낮아진다. 29쪽 그림 8은 프로브의 일반적인 CMRR과 입력 주파수 사이의 관계를 나타낸 것이다. CMRR에 대한 자세한 설명은 22쪽을 참고한다.

CMRR을 극대화하는 탐침 방법

프로브의 동상 제거비는 그림 4와 5의 액세서리를 사용할 때 최고가 된다. 이러한 액세서리들은 프로브 헤드와 신호 소스 사이의 간격을 최소로 줄인다.

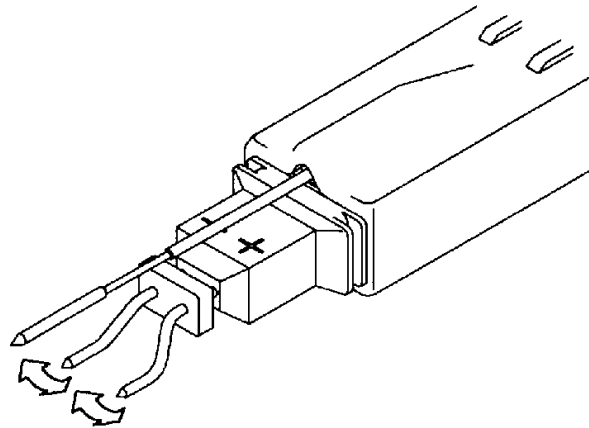


그림 4. 입력 리드선 액세서리를 사용하여 높은 CMRR을 얻는 방법

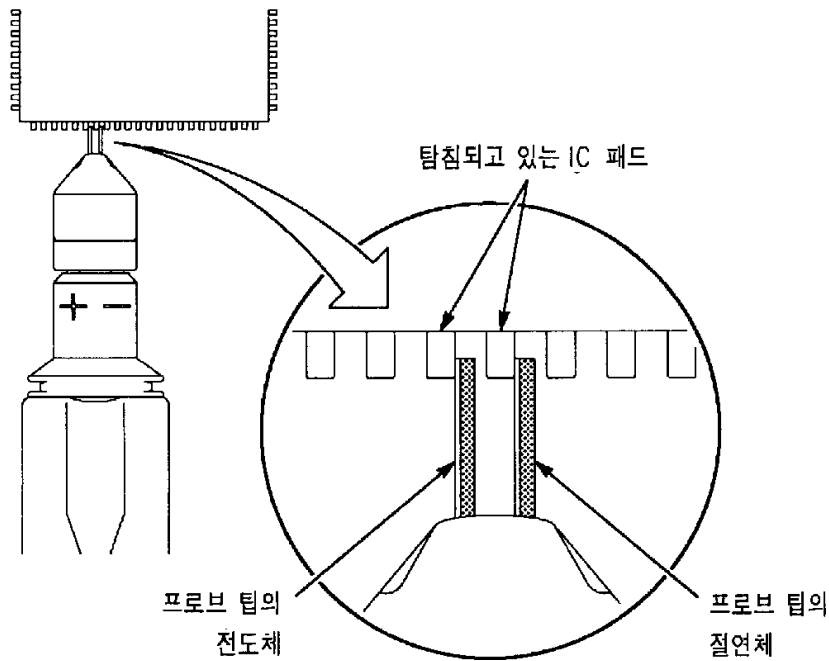


그림 5. 트윈 풋 어댑터 사용법

참고 사항

다음에서는 차동 측정에 대한 중요한 참고 사항과 측정 정확도를 높이는 방법에 대한 설명한다.

일단 측정(single-ended measurement)

여러 가지 응용 기기에 사용할 수 있는 일단 측정은 다음 상황에서 문제를 야기할 수 있다.

- 신호가 접지 단자에 대해 기준 신호가 아닌 경우
- 프로브 접지를 접속하거나 분리하여 신호가 왜곡되는 경우
- 기준 신호를 접지 단자에 접속하여 회로가 손상되거나 전도되는 경우

차동 측정(differential measurement)

차동 측정용 장치들은 일단 장치가 안고 있는 문제점이 없다. 이러한 장치들에는 차동 프로브, 차동 증폭기, 아이솔레이터가 포함된다.

차동 증폭기(그림 6)는 차동 측정 장치의 중심 요소이다. 차동 증폭기는 입력 케이블의 공통 전압을 제거하고 입력 케이블 간 차이를 증폭한다. 입력 케이블의 동상 전압은 동상 모드 전압(V_{CM})이라 하고 두 입력 케이블의 전압이 다른 경우 차동 모드 전압(V_{DM})이라고 한다.

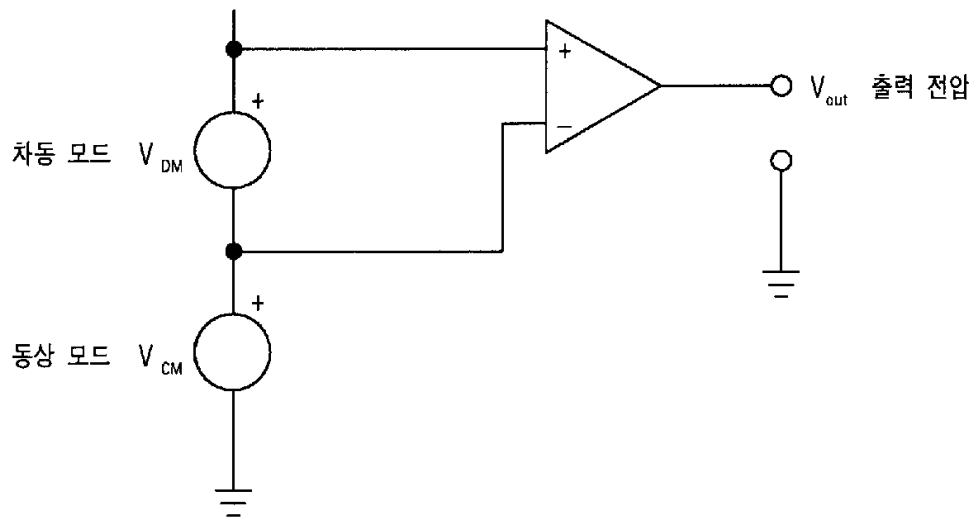


그림 6. 차동 증폭기의 단순 모델

동상 제거비

차동 증폭기가 동상 모드 신호를 모두 제거할 수 있는 것은 아니다. 차동 증폭기의 동상 모드 신호 제거 능력은 동상 제거비(CMRR)로 표현한다. CMRR은 차동 이득(A_{DM})을 동상 이득(A_{CM})으로 나눈 값으로 비율이나 dB로 나타낸다.

$$CMRR = \frac{A_{DM}}{A_{CM}} \quad dB = 20 \log \frac{V_{DM}}{V_{CM}}$$

CMRR은 DC에서 가장 높고 주파수가 높아짐에 따라 감소한다.

CMRR 오류 검출

29쪽 그림 8은 동상 모드 신호가 사인파형을 갖는다고 가정했을 때 P6246과 P6247 차동 프로브의 CMRR이다.

동상 모드 신호가 사인파형으로 나타나지 않을 때 CMRR 오류를 검출하는 빠른 방법은 입력 리드선과 출력 리드선을 회로의 같은 지점에 연결하는 것이다. 이렇게 하면 오실로스코프에서는 프로브가 완전히 제거하지 않는 동상 모드 요소만이 나타난다. 이런 방법으로 정확한 측정값을 얻을 수는 없지만 동상 모드 오류 신호의 범위가 어느 정도인지 알 수 있다.

CMRR에 대한 입력 임피던스의 효과

소스 임피던스에 대한 프로브의 입력 임피던스가 낮을 수록 CMRR도 낮다. 29 쪽 그림 8을 참고한다. 두 입력 케이블을 통과하는 소스 임피던스의 차이가 커도 CMRR이 낮아진다.

입력 리드선 연장

전선이나 프로브 팁 어댑터를 사용하여 프로브 입력 케이블을 연장해야 하는 경우가 있다. 입력 리드선을 연장하는 경우 선 길이를 최대한 짧게 하여 동상 제거를 최적화하고 입력 리드선을 그림 7과 같이 끈다.

입력 리드선을 꼬면 커패시턴스가 증가하여 고주파수 특성이 감소할 수 있다. 측정 시에는 리드선을 연장하여 발생한 효과를 모두 고려해야 한다.



주의 0.025인치 사각핀보다 큰 물체를 입력 케이블에 삽입하면 입력 커넥터가 손상된다.

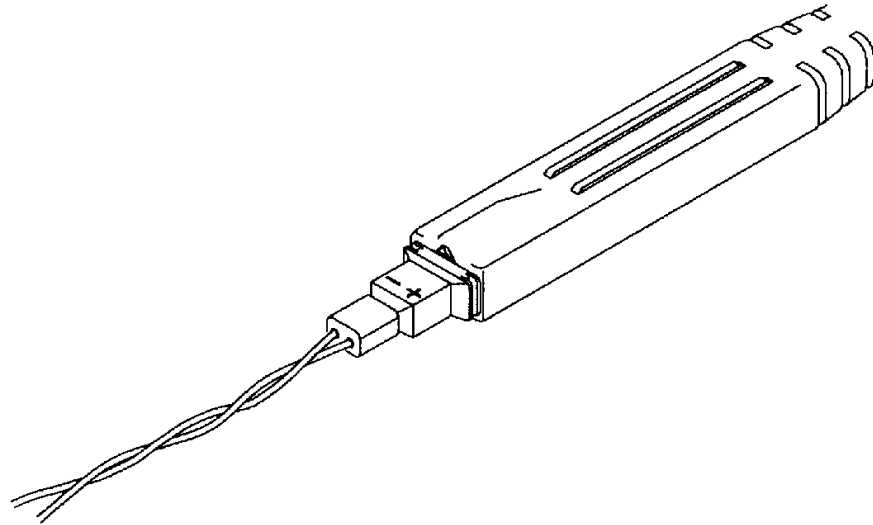


그림 7. 입력 리드선 꼬기

접지 리드선 연장

접지 리드선을 연장해도 측정값에는 거의 영향을 주지 않으며 영향을 주더라도 아주 미미한 수준이다. 대부분의 회로에서 차동 소스에서 접지 단자로 이어지는 경로에서는 임피던스가 높아서 리드선 인덕턴스에 의해 발생하는 링잉 현상(ringing)을 없앨 수 있다.

프로브 출력 케이블 연장

1103 TekProbe 전원 공급기를 사용하면 프로브의 출력 케이블을 연장하여 프로브를 다른 측정 기기와 연결하거나 프로브의 범위 밖에 있는 신호 소스와 연결할 수 있다.

프로브 종단

프로브는 측정 기기의 입력 케이블에서 50Ω 로 종단해야 한다. 1103 TekProbe 전원 공급기를 사용하여 차동 프로브에 전원을 공급하고 측정 기기의 입력 저항을 50Ω 으로 설정한다. 측정 기기가 50Ω 의 입력 종단을 지원하지 못할 경우 입력 케이블에 50Ω 동축 종단기를 연결한다.

출력 케이블 연장 효과

신호의 주파수가 높아짐에 따라 전기 흐름은 도체의 외부 가장자리에서 집중되어 임피던스가 증가되는데 이러한 효과를 표피 손실(skin loss)이라고 한다.

보상을 하면 프로브 케이블에 플랫 반응(flat response)을 제공하여 표피 손실을 메꾼다. 출력 케이블의 길이를 연장하면 표시 손실량이 보상 교정의 범위를 초과하여 증가한다. 케이블 연장 길이를 최소화하면 감쇠율이 줄어든다.

고진폭 정밀성이 필요한 주요 장치에서 케이블을 연장한 프로브의 반응 특성은 고른 신호 소스와 전력계이다. 그런 다음 특성 결과를 측정값으로 인수분해할 수 있다.

다른 기기에 프로브 사용

오실로스코프 이외에, P6246과 P6247 차동 프로브를 다른 종류의 측정 기기와 혼용할 수 있다. 이러한 기기들에는 스펙트럼 분석기, 타임 인터널 분석기, 네트워크 분석기가 포함된다.

차동 프로브를 이러한 기기들과 같이 사용할 때는 측정을 하기 전에 프로브와 기기를 표준화해야 한다.

규격

표 3에서 6에 설명된 규격은 Tektronix TDS 784A 오실로스코프에 설치된 P6246이나 P6247 프로브에 적용된다. 프로브를 다른 오실로스코프와 함께 사용하는 경우, 오실로스코프의 입력 임피던스는 50Ω이고 대역폭은 1 GHz 여야 한다. 프로브를 사용할 때는 최소한 20분간 예열해야 하며 표 3에 설명된 한계값을 초과해서는 안된다. P6246과 P6247 차동 프로브에 대한 명세는 보증 특성, 일반 특성, 공칭 특성, 이 3가지로 분류할 수 있다.

보증 특성


보증 특성(표 3)에서는 공차 한계 내에서 보장된 특성이나 필요한 특정 테스트를 설명한다. 서비스 설명서(070-9889-XX)의 '성능 확인' 단원에 있는 보증 특성은  로 표시된다.

표 3. 보증 전기 특성




 DC 감쇠율 정확도	다음 입력 전압의 경우 ±2% ±750mV(÷1)과 ±7.5V(÷10) 다음 입력 전압의 경우 ±5% ±850mV(÷1)과 ±8.5V(÷10)
최대 비파괴 입력 전압	같은 채널의 신호와 동상 신호 사이의 ±25V _(DC + 펄스 AC)
 차동 신호 범위(결합 DC)	감쇠율 설정값 ÷10에서 ±8.5V 감쇠율 설정값 ÷1에서 ±850mV
동상 신호 범위(결합 DC)	±7V
 출력 오프셋 전압	±10mV(+20℃에서 +30℃) ±50mV(0℃에서 60℃)
상승 시간 (프로브만 해당)	P6246: < 875ps P6247: < 350ps

표 3. 보증 전기 특성(계속)

✓ 동상 제거비	÷ 10의 1MHz에서 45dB ÷ 10의 100MHz에서 25dB ÷ 10의 500MHz에서 20dB ÷ 10의 1Ghz 에서 18dB ÷ 1의 1MHz에서 60dB ÷ 1의 100MHz에서 38dB ÷ 1의 500MHz에서 35dB ÷ 1의 1Ghz 에서 30dB
✓ 대역폭(프로브만 해당)	P6246: DC 연결 $\geq 400\text{MHz}$ (-3dB) P6247: DC 연결 $\geq 1\text{GHz}$ (-3dB)
온도	사용 온도: 0~50℃ 0~60℃ ¹ (프로브 헤드) 비사용 온도: -55~+75℃ ¹
습도	사용 습도: 0-90% RH, +30~+50℃에서 시험. 비사용 습도: 0-90% RH, +30~+60℃에서 시험

¹ 다음 경고를 참고한다.



경고 사용 온도가 +50℃보다 높거나 비사용 온도가 +70℃보다 높은 경우 프로브를 맨 손으로 만지면 화상을 입을 수 있다.

일반 특성

일반 특성(표 4와 5)은 보증되지 않는 일반 성능을 설명한다.

표 4. 일반 전기 특성

차동 입력 저항, DC 연결	200 k Ω
입력 커패시턴스, DC 연결	100 k Ω + 2%
차동 입력 커패시턴스	1MHz에서 < 1 _p F
동상 입력 커패시턴스	1MHz에서 < 2 _p F
조파 왜곡	$\leq 1.5\%$, 100MHz에서 495mV _{RMS} (또는 1.4V _{p,p}) 출력을 사용하여 측정
차동 오프셋 범위	$\pm 700\text{mV}$ (설정값 $\div 1$) $\pm 7\text{V}$ (설정값 $\div 10$)
동상 제거비	그림 8 참고
불규칙한 잡음	100MHz에서 < 50nV/ $\sqrt{\text{Hz}}$
입력 임피던스	그림 9 참고
대역폭 한계	200MHz에서 -3dB
DC 제거 대역폭	4Hz에서 -3dB(설정값 $\div 10$) 0.4Hz에서 -3dB(설정값 $\div 1$)
통과 대역 리플	P6246: $\pm 0.25\text{dB}$ 에서 3dB 대역폭까지(공칭 슬로프로부터의 편차) P6247: $\pm 0.25\text{dB}$ 에서 850MHz까지(공칭 슬로프로부터의 편차)

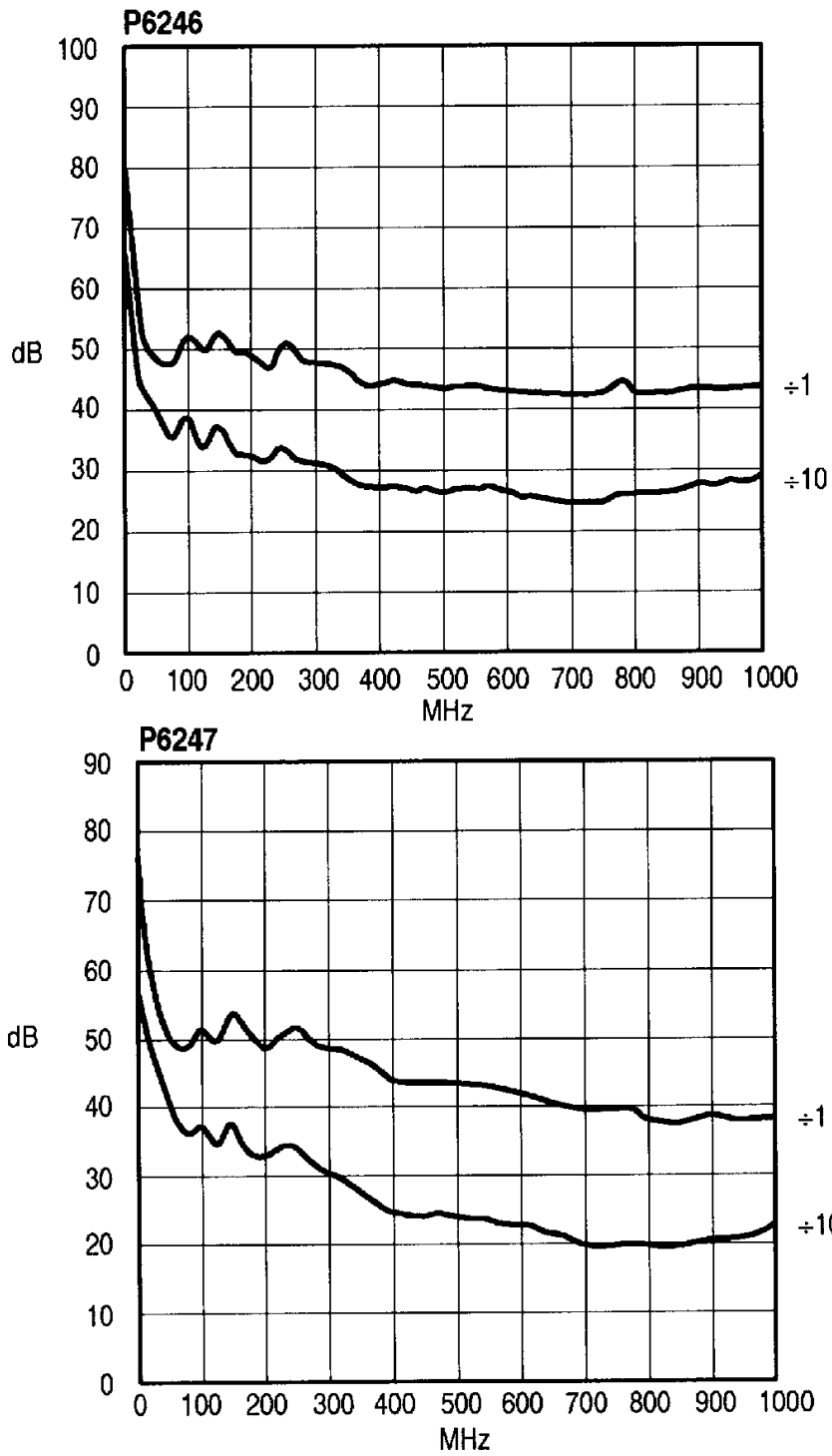


그림 8. 일반 등상 제거비(감쇠율 ÷1과 ÷10)

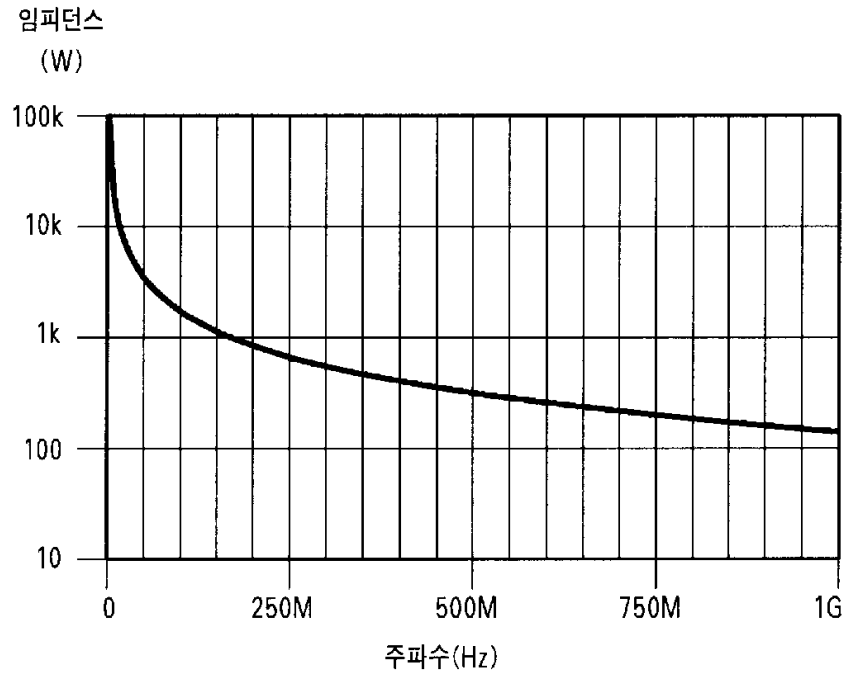


그림 9. 일반 입력 임피던스 대 주파수

표 5. 일반 기계적 특성

입력 연결 단자 치수	2.54mm(0.100 in)의 중앙에 0.63mm(0.025 in) 사각핀 연결
제어 상자 체적	107mm×41mm×26mm (4.2 in×1.6 in×1.0 in)
프로브 헤드 체적	78mm×12mm×9.3mm (3.0 in×0.47 in×0.36 in)
출력 케이블 치수	1.2m(47 in)
단위 중량(프로브만 해당)	160g(5.4 oz)

공칭 특성

공칭 특성(표 6)은 보증되는 특성이지만 공차 한도가 없는 속성들을 설명한다.

표 6. 공칭 전기 특성

입력 구성	차동(+와 -), 삼자 접지
출력 연결	DC와 DC 제거
감쇠율 설정값	÷1과 ÷10
종단	출력을 50Ω로 종단한다.

